



US00D604355S

(12) **United States Design Patent**
Kuhn

(10) **Patent No.:** **US D604,355 S**

(45) **Date of Patent:** **** Nov. 17, 2009**

(54) **MUSICAL INSTRUMENT BODY**

(76) Inventor: **Paul J. Kuhn**, 12500 Stephen Pl., Elm Grove, WI (US) 53122

(**) Term: **14 Years**

(21) Appl. No.: **29/301,993**

(22) Filed: **Mar. 25, 2008**

(51) **LOC (9) Cl.** **17-03**

(52) **U.S. Cl.** **D17/14**

(58) **Field of Classification Search** D17/14,
D17/18, 19, 20; 84/7, 173, 267-269, 290,
84/293, DIG. 24

See application file for complete search history.

(56) **References Cited**

U.S. PATENT DOCUMENTS

4,313,362	A *	2/1982	Lieber	84/267
D281,981	S *	12/1985	Peavey	D17/20
4,919,033	A *	4/1990	Markov et al.	84/726
D311,413	S *	10/1990	Pakis	D17/20
4,977,808	A *	12/1990	Thacker	84/291
5,085,115	A	2/1992	Schlink	
D334,764	S *	4/1993	Fisher, IV	D17/14
D339,150	S *	9/1993	Robertson	D17/14
D340,737	S *	10/1993	Sandberg	D17/14
D477,012	S *	7/2003	Rico	D17/14
D477,013	S *	7/2003	Rico	D17/14
D533,212	S *	12/2006	Johnson	D17/20
7,230,174	B1	6/2007	Wilson	

D568,926 S * 5/2008 Clark D17/18

* cited by examiner

Primary Examiner—Ian Simmons

Assistant Examiner—R. Johnson

(74) *Attorney, Agent, or Firm*—Merchant & Gould PC

(57) **CLAIM**

The ornamental design for a musical instrument body, as shown and described.

DESCRIPTION

FIG. 1 is a front perspective view of a musical instrument body showing my new design;

FIG. 2 is a front elevational view thereof;

FIG. 3 is a rear elevational view thereof;

FIG. 4 is a right side elevational view thereof;

FIG. 5 is a left side elevational view thereof;

FIG. 6 is a top plan view thereof; and,

FIG. 7 is a bottom plan view thereof.

The broken lines in FIG. 1 showing the guitar tuners, posts, strings, ornamental details, a bridge and guitar controls are included for illustrative purposes to represent environmental structure.

The remaining broken lines, shown throughout the views represent boundary lines in which the adjacent unshaded areas form no part of the claimed design.

1 Claim, 5 Drawing Sheets

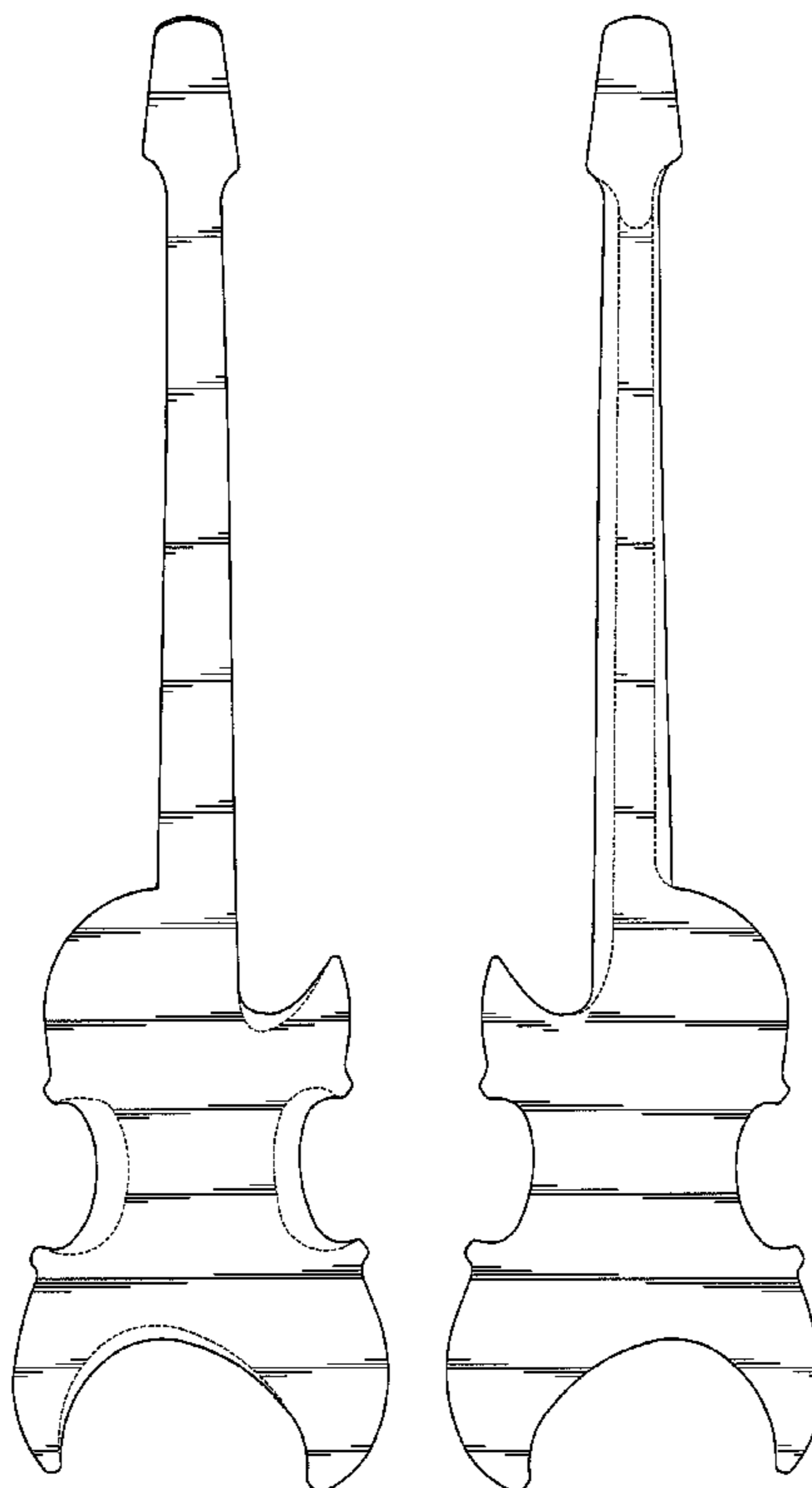


FIG. 1

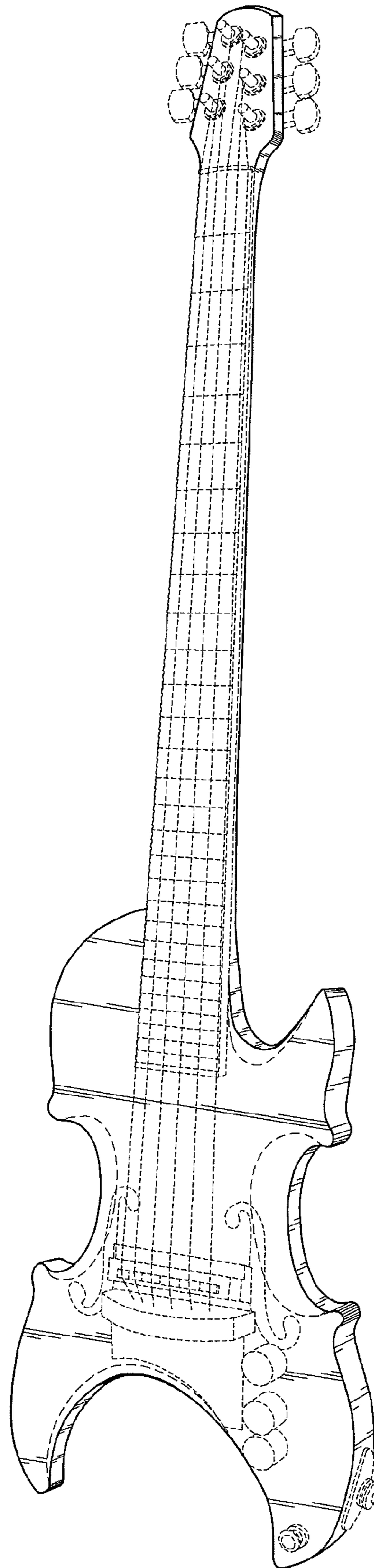


FIG. 2

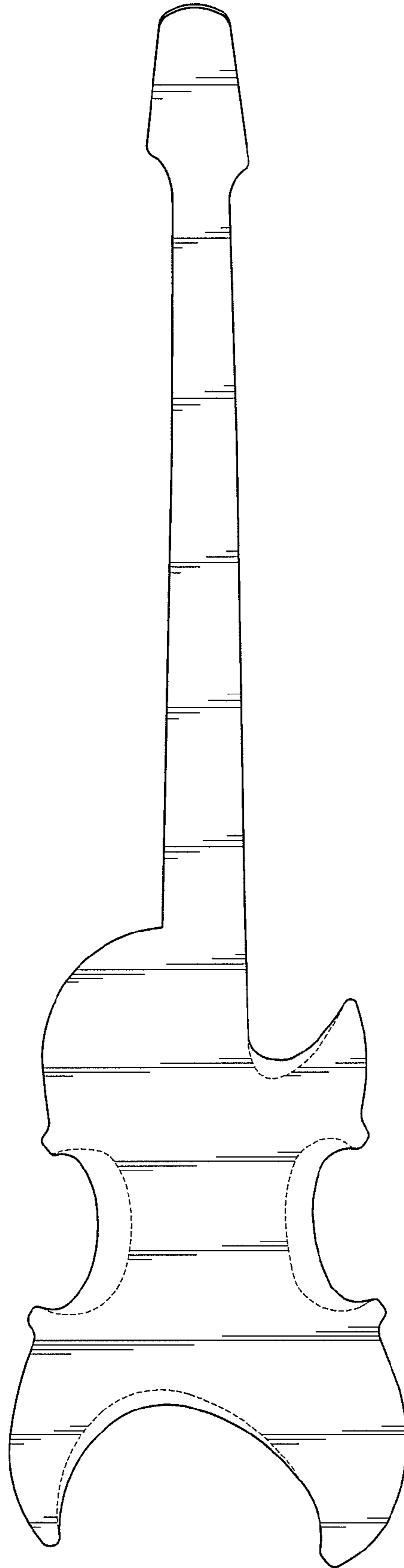


FIG. 3

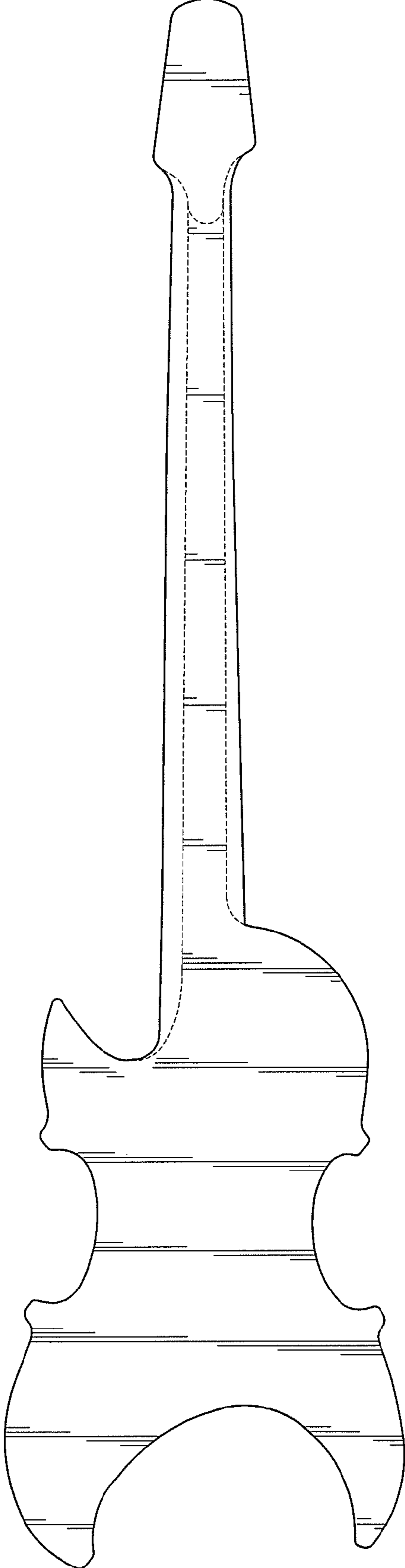


FIG. 4

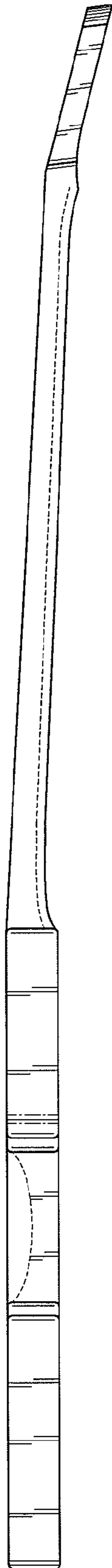


FIG. 5

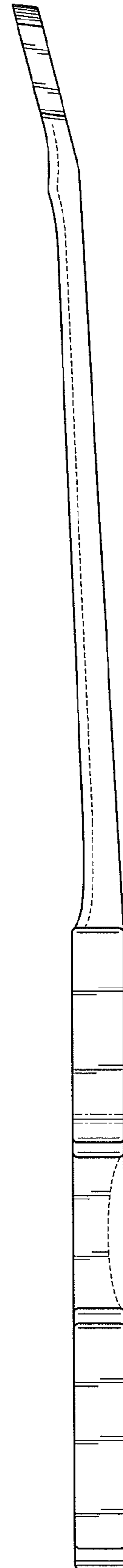


FIG. 6

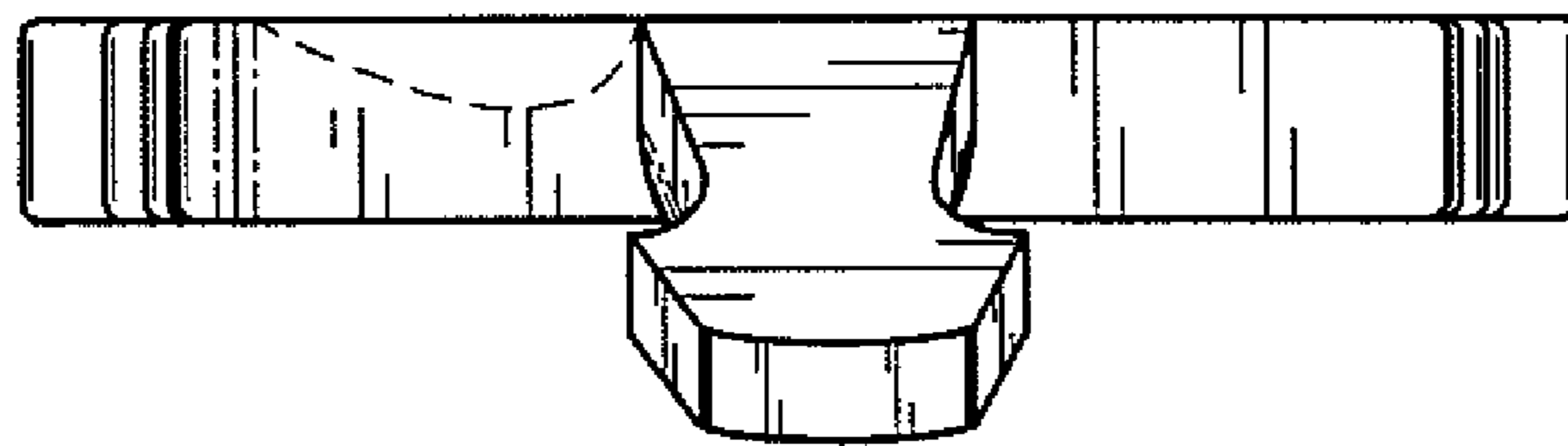


FIG. 7

