



US00D604352S

(12) **United States Design Patent**
Carlesso

(10) **Patent No.:** **US D604,352 S**

(45) **Date of Patent:** **** Nov. 17, 2009**

(54) **QUICK RELEASE ATTACHMENT DEVICE
FOR A SUPPORT HEAD OF VIDEO AND
PHOTOGRAPHIC APPARATUS**

7,185,862 B1 * 3/2007 Yang 248/187.1
* cited by examiner

(75) Inventor: **Abramo Carlesso**, Romano D'ezzolino
(IT)

Primary Examiner—Adir Aronovich
(74) *Attorney, Agent, or Firm*—Castellano PLLC; Kristina
Castellano

(73) Assignee: **Gitzo S.A.**, Rungis (FR)

(57) **CLAIM**

(**) Term: **14 Years**

The ornamental design for a quick release attachment device
for a support head of video and photographic apparatus, as
shown and described.

(21) Appl. No.: **29/305,672**

(22) Filed: **Mar. 26, 2008**

(30) **Foreign Application Priority Data**

Nov. 8, 2007 (EM) 000822796

(51) **LOC (9) Cl.** **16-05**

(52) **U.S. Cl.** **D16/245**

(58) **Field of Classification Search** D16/237,
D16/242, 244, 245; 248/176.1, 177.1, 185.1,
248/187.1; 352/343; 396/419, 421, 428
See application file for complete search history.

DESCRIPTION

FIG. 1 is a top and right side perspective view of a quick
release attachment device for a support head of video and
photographic apparatus showing my present design;

FIG. 2 is a top and left side perspective view thereof;

FIG. 3 is a front elevational view thereof;

FIG. 4 is a right side elevational view thereof;

FIG. 5 is a left side elevational view thereof;

FIG. 6 is a rear elevational view thereof;

FIG. 7 is a top plan view thereof;

FIG. 8 is a bottom plan view thereof;

FIG. 9 is a bottom and left side perspective view of a quick
release attachment device; and,

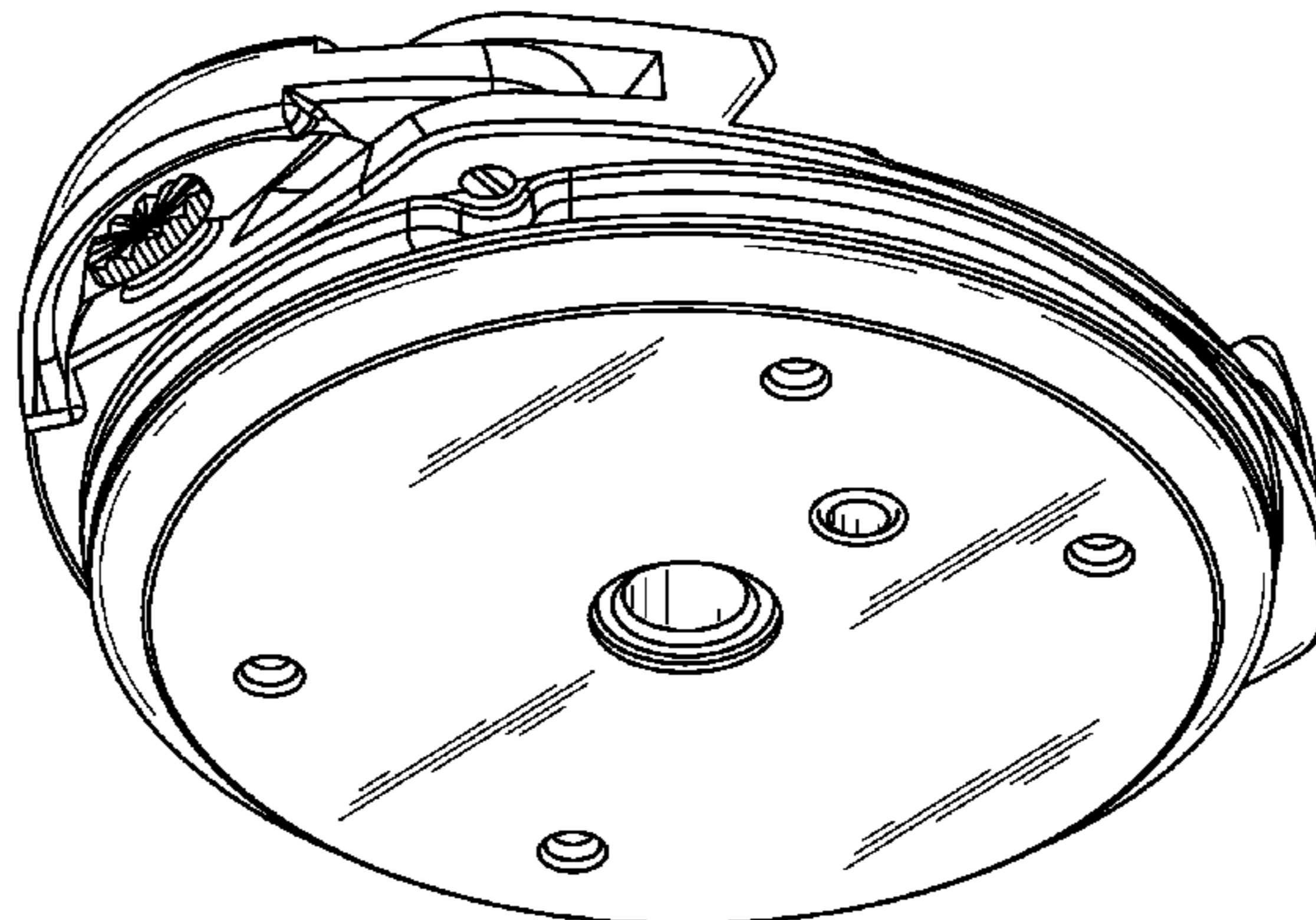
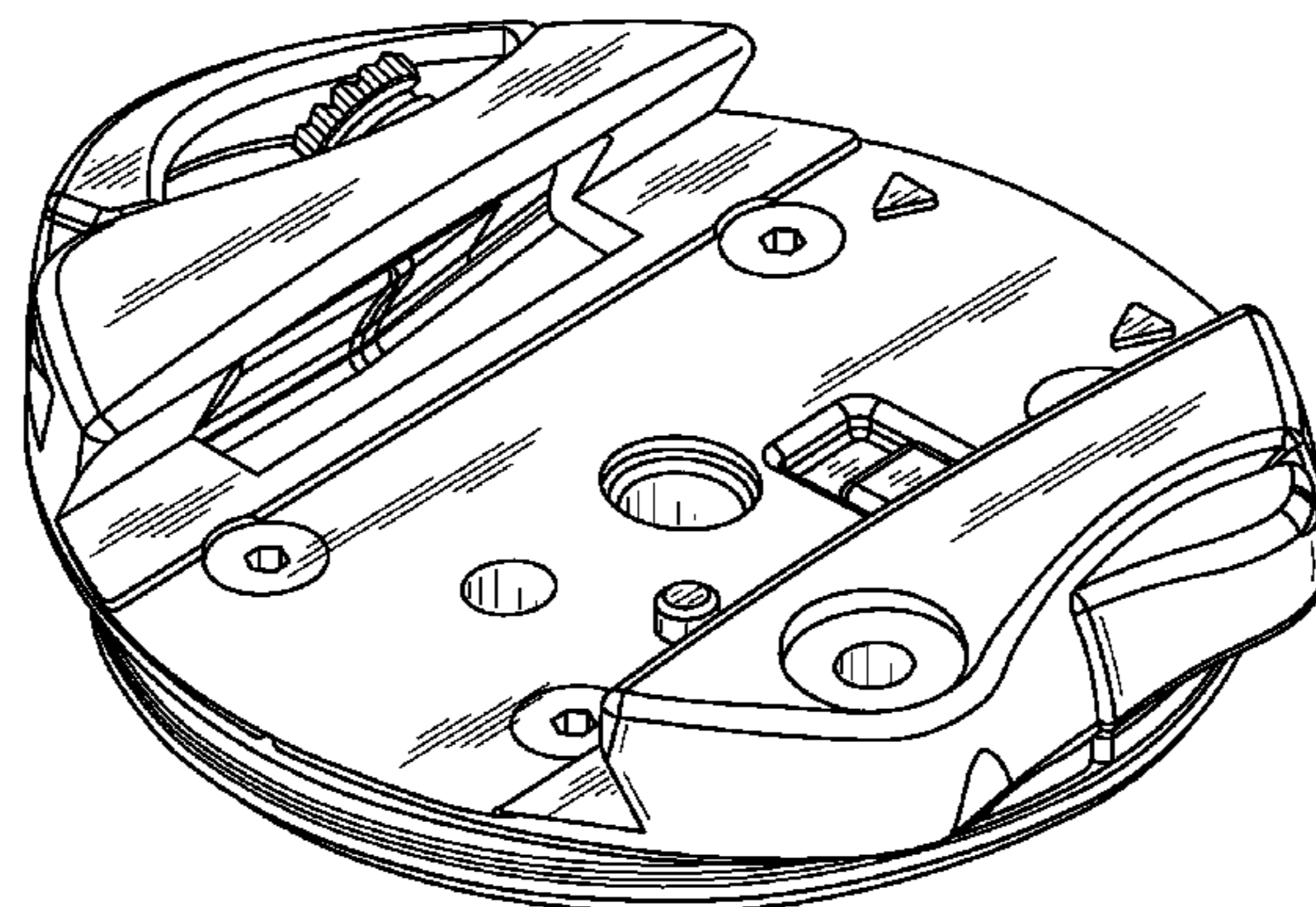
FIG. 10 is a bottom and right side perspective view of a quick
release attachment device.

(56) **References Cited**

U.S. PATENT DOCUMENTS

D399,230 S * 10/1998 Tenne D16/245
6,196,504 B1 * 3/2001 Lemke 248/187.1
D483,789 S * 12/2003 Dordick D16/245
6,773,172 B1 * 8/2004 Johnson et al. 396/428

1 Claim, 5 Drawing Sheets



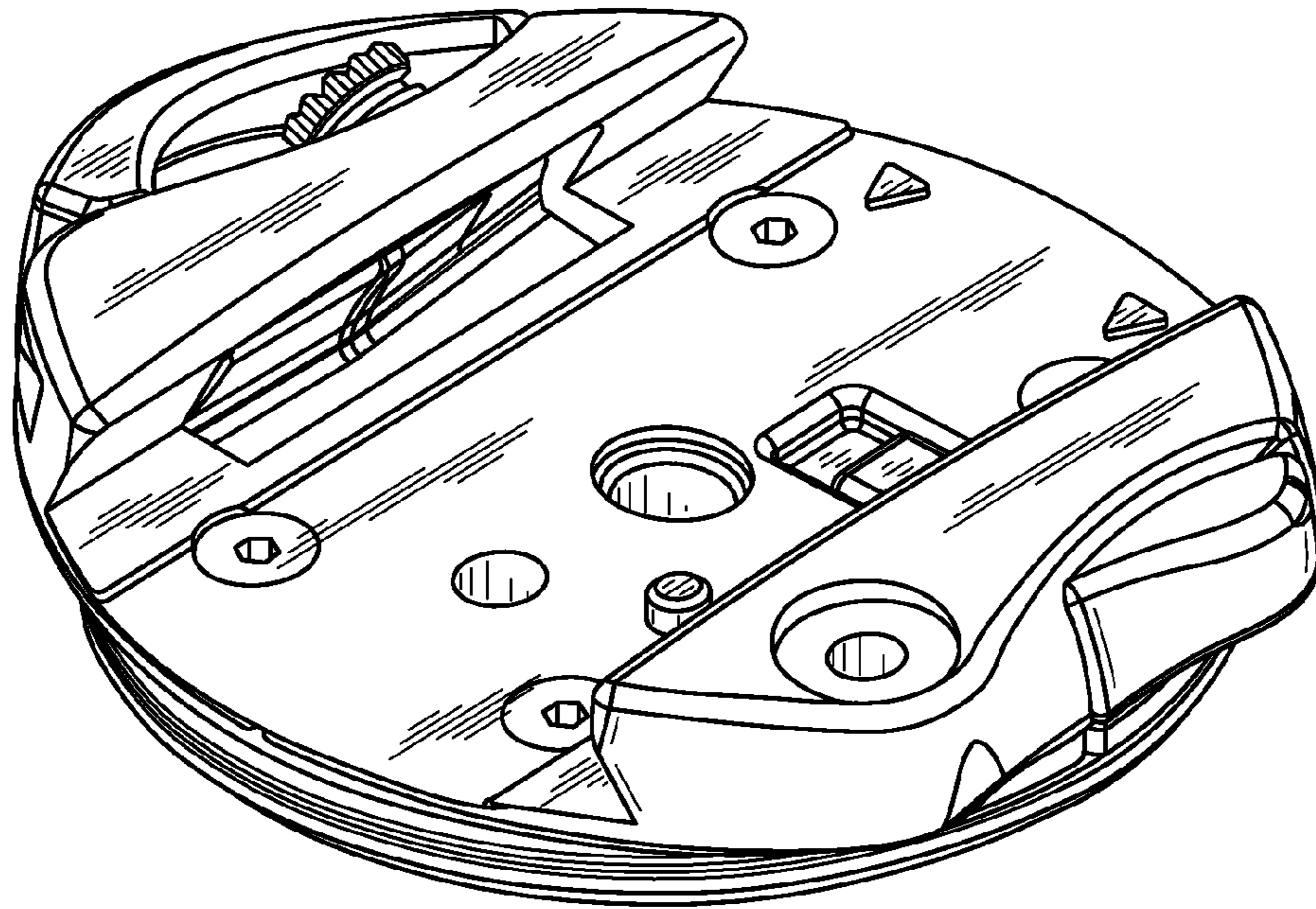


FIG. 1

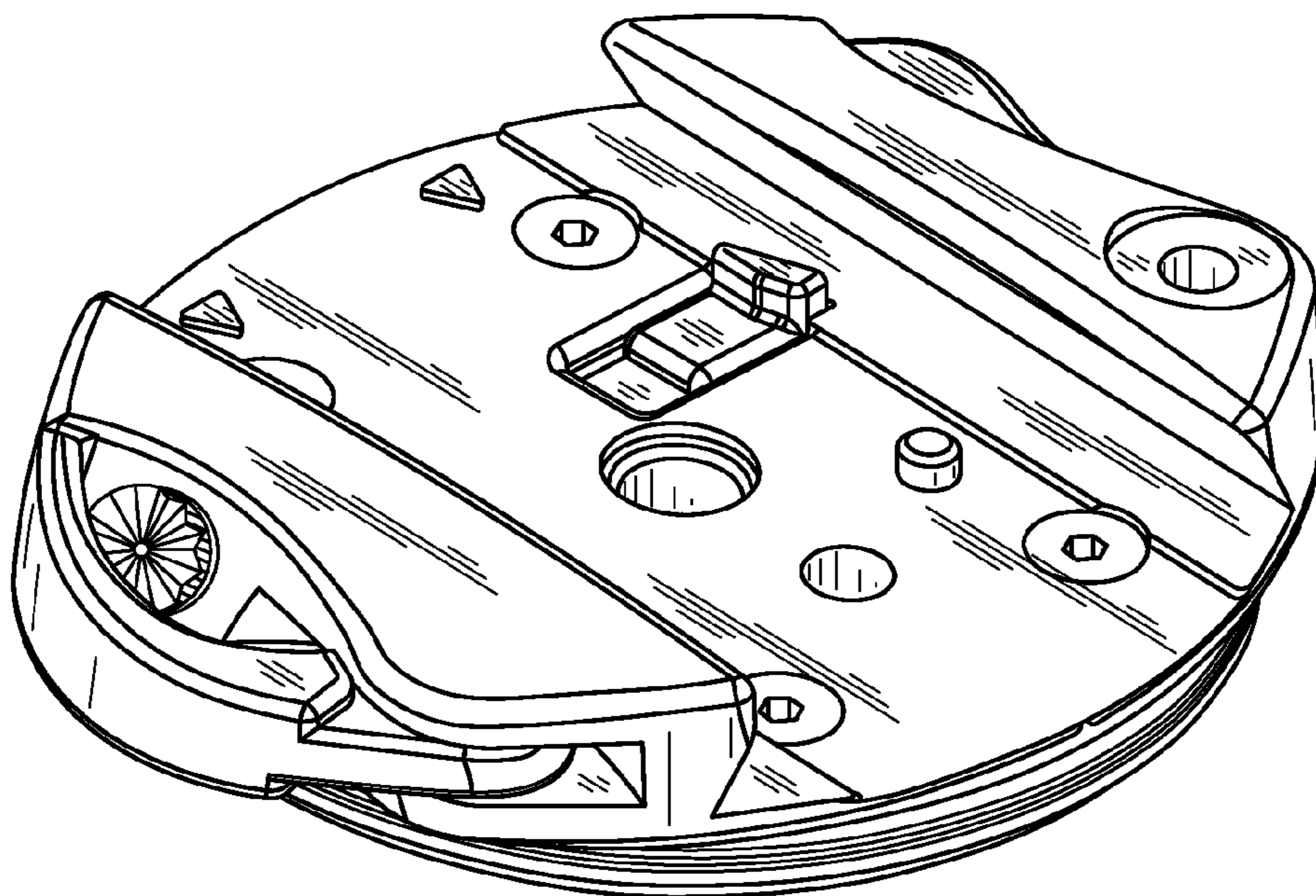


FIG. 2

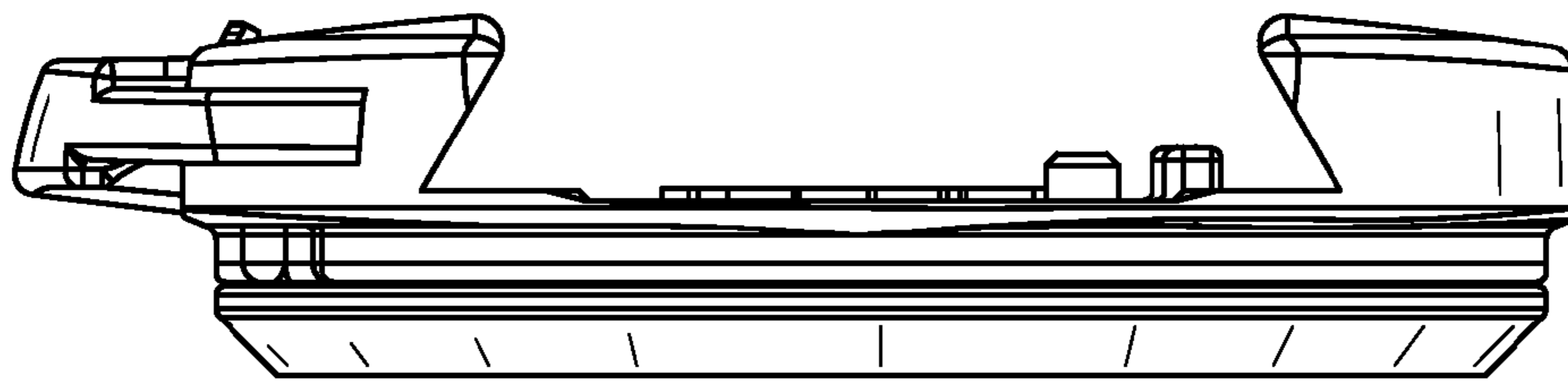


FIG. 3

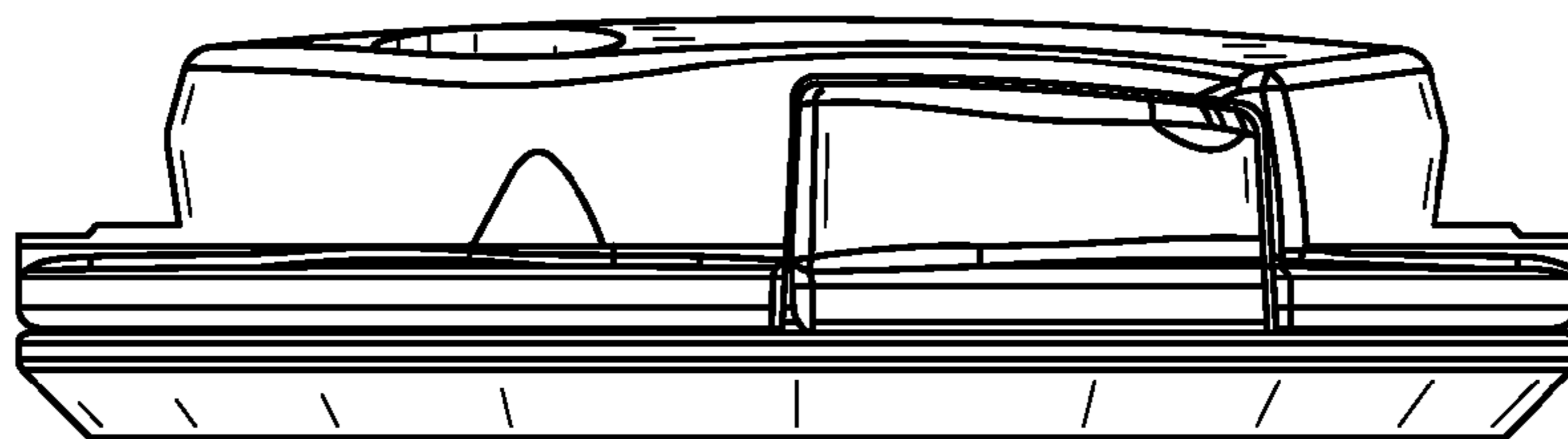


FIG. 4

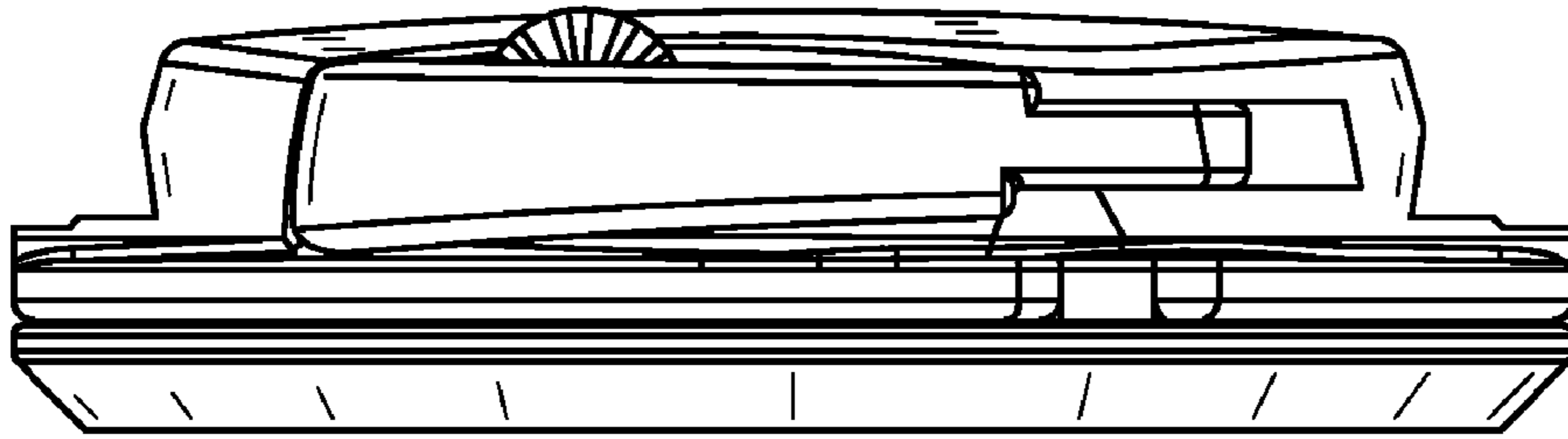


FIG. 5

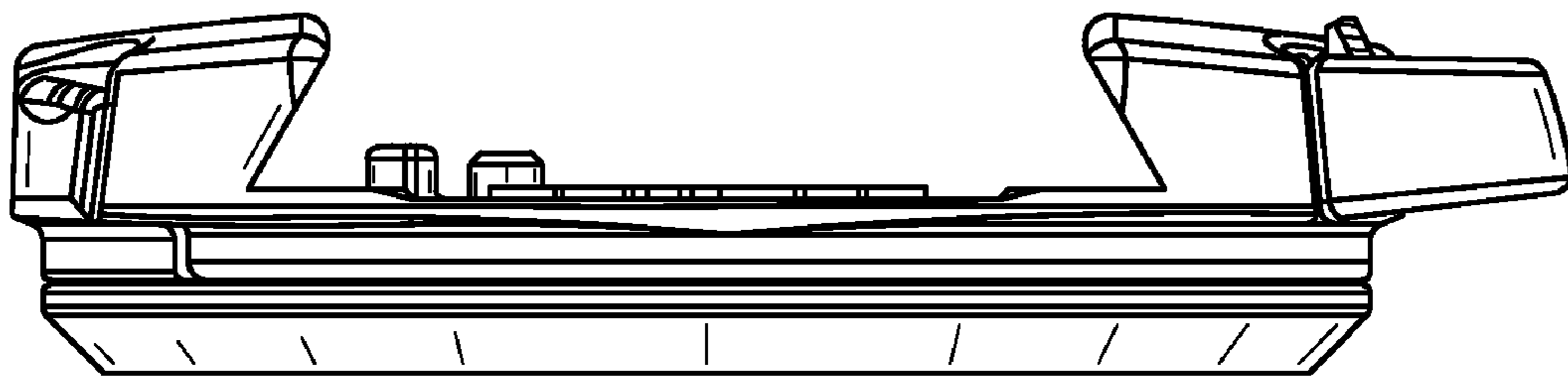


FIG. 6

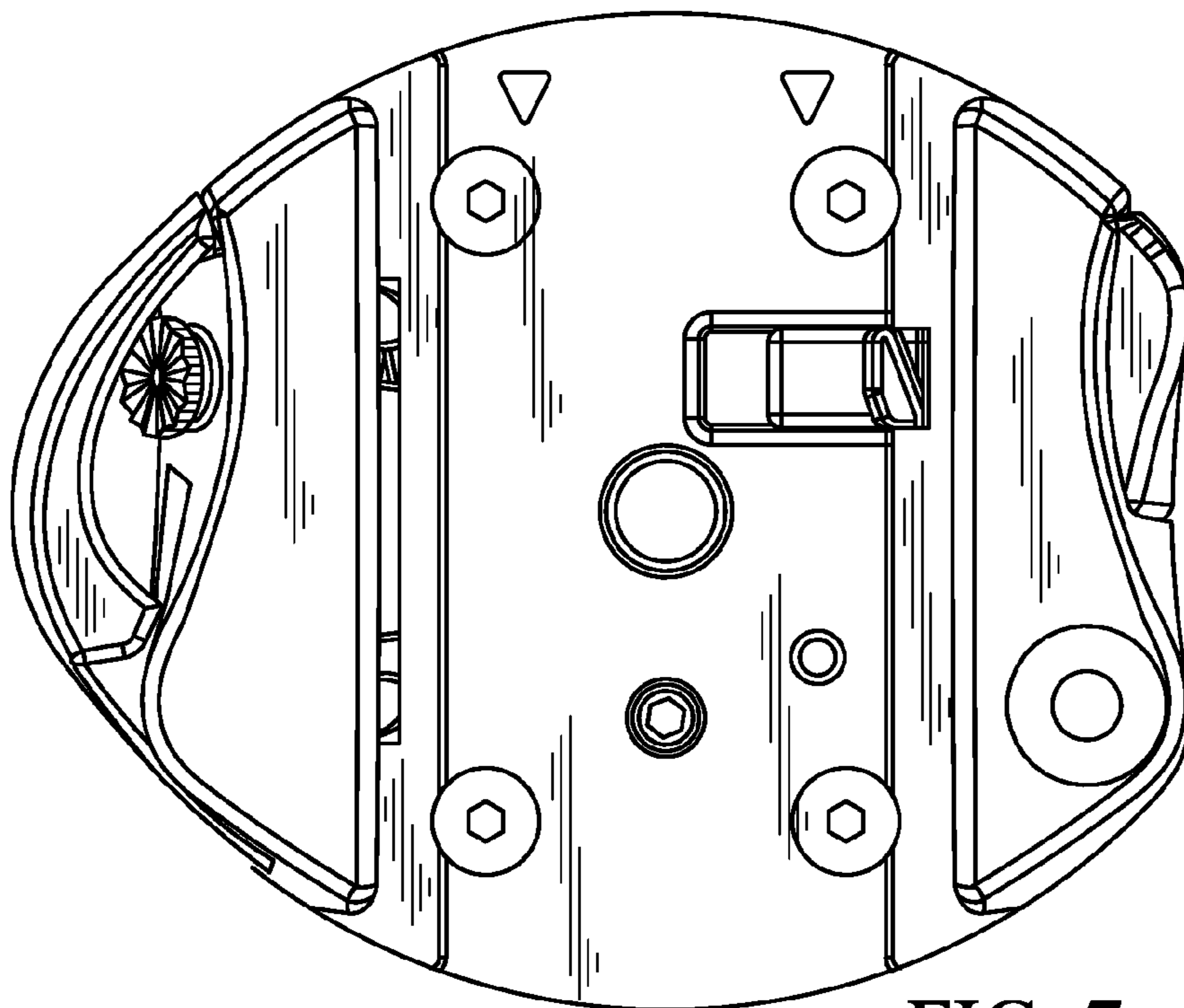


FIG. 7

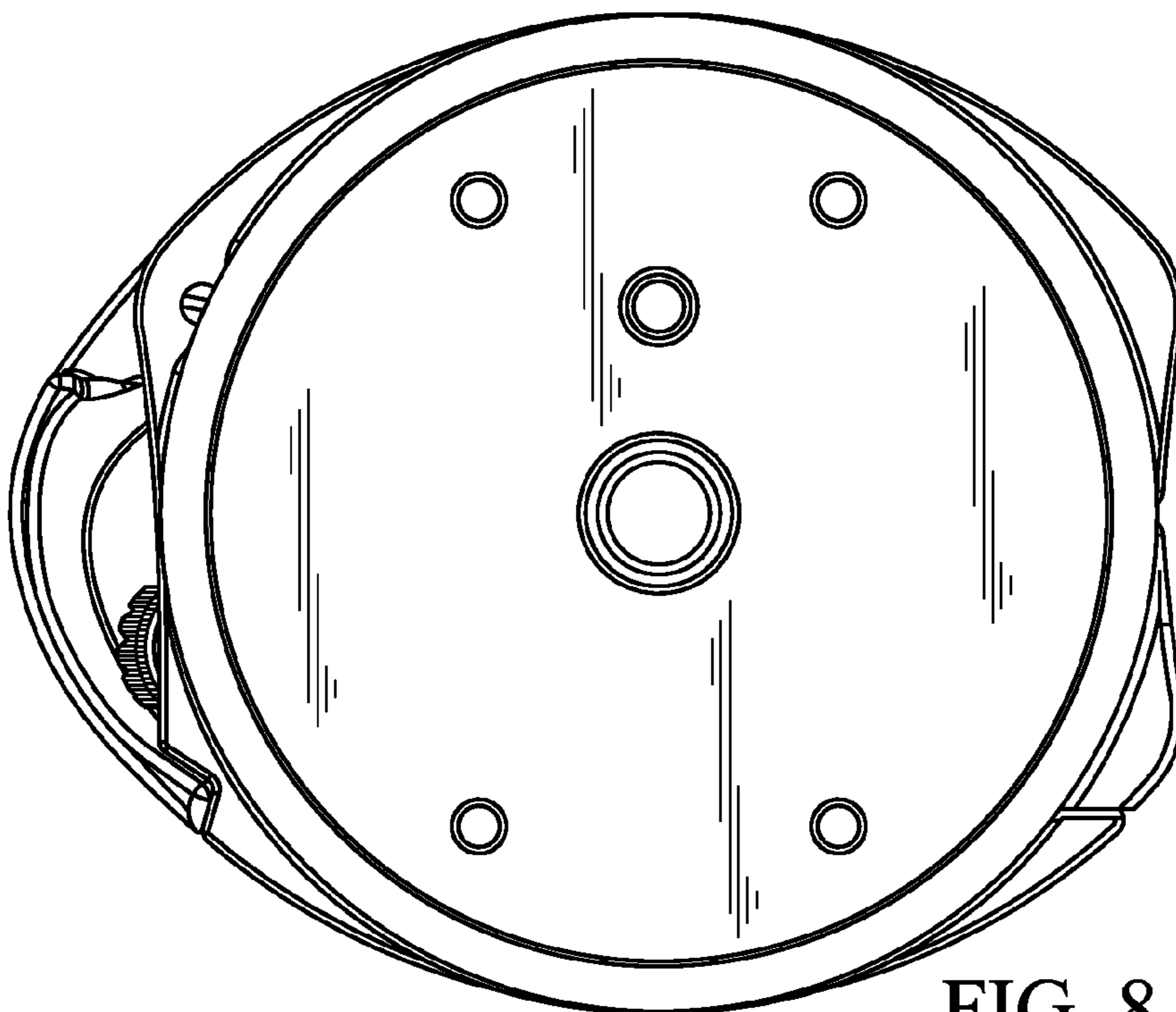


FIG. 8

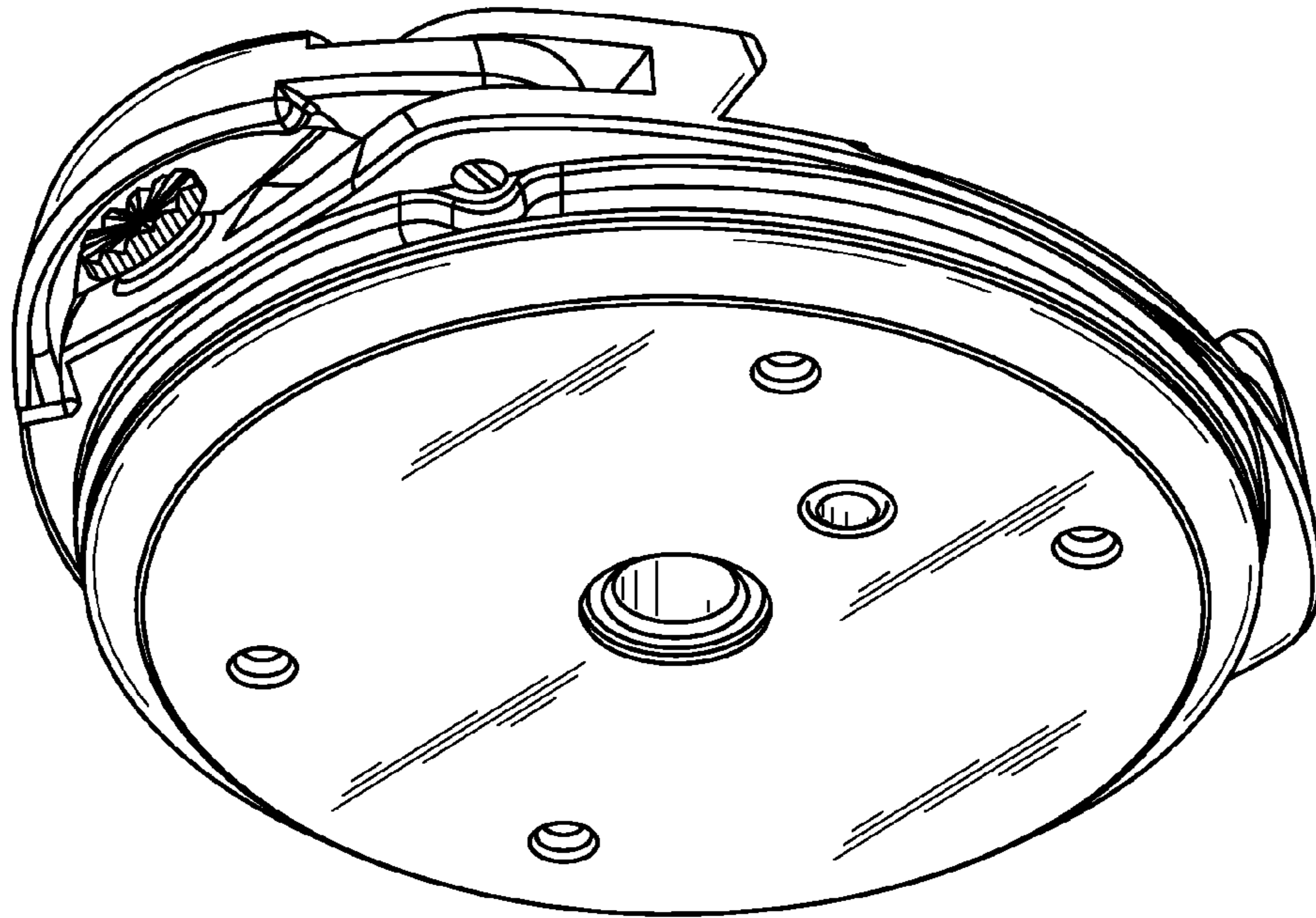


FIG. 9

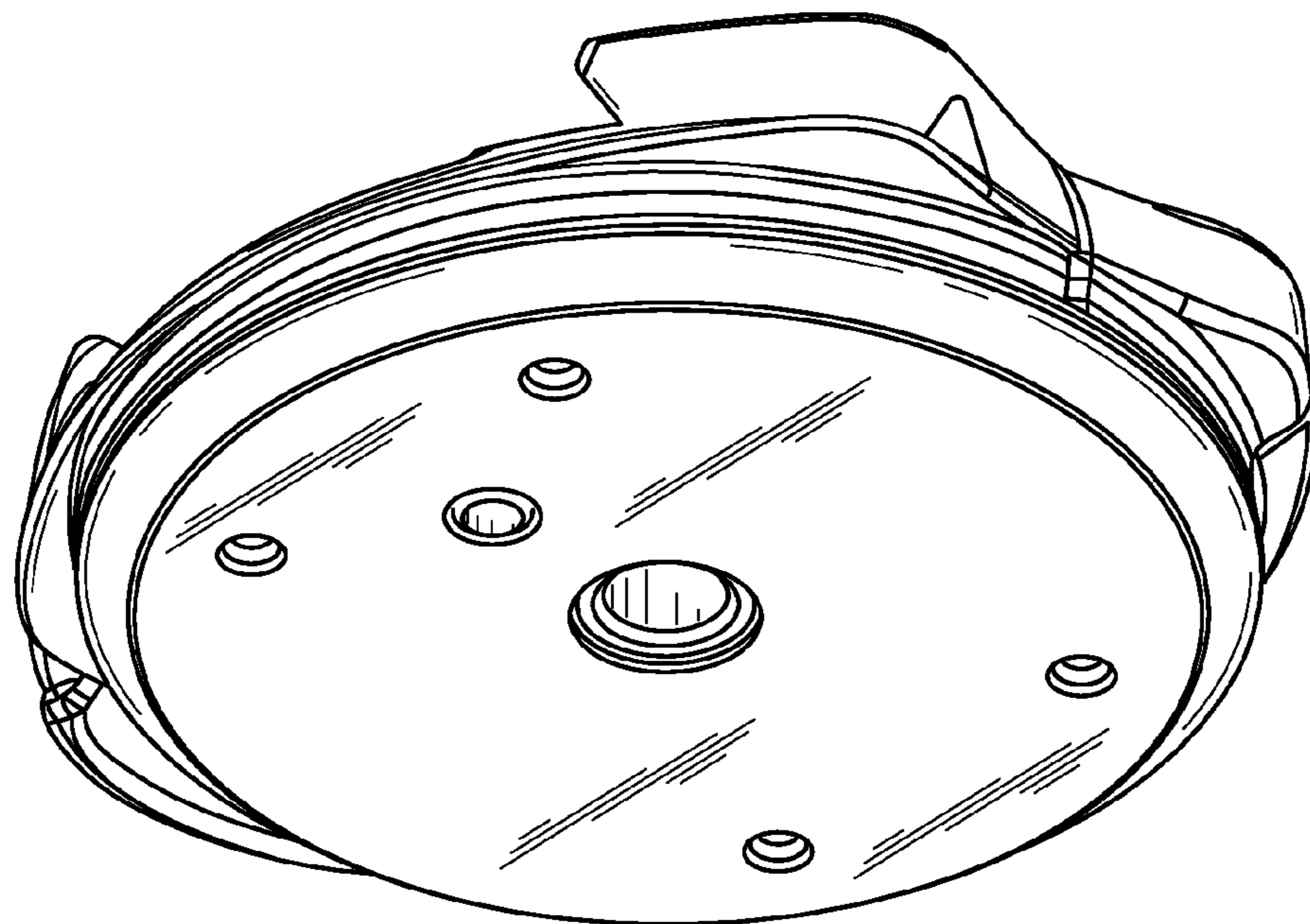


FIG. 10