



US00D604351S

(12) **United States Design Patent**
Miyazaki

(10) **Patent No.:** **US D604,351 S**

(45) **Date of Patent:** **** Nov. 17, 2009**

(54) **VIDEO CAMERA**

(75) Inventor: **Tetsuro Miyazaki**, Tokyo (JP)

(73) Assignee: **Sony Corporation**, Tokyo (JP)

(**) Term: **14 Years**

(21) Appl. No.: **29/309,247**

(22) Filed: **Jul. 11, 2008**

(30) **Foreign Application Priority Data**

Apr. 11, 2008 (JP) D2008-009275

(51) **LOC (9) Cl.** **16-05**

(52) **U.S. Cl.** **D16/219**

(58) **Field of Classification Search** D16/200–205,
D16/208, 218, 219; 348/373–376; 358/906;
396/535–541

See application file for complete search history.

(56) **References Cited**

U.S. PATENT DOCUMENTS

5,767,906	A *	6/1998	Toyofuku et al.	348/375
D404,748	S *	1/1999	Miyashita	D16/202
D412,515	S *	8/1999	Oka	D16/202
D431,041	S *	9/2000	Sekine	D16/202
D438,552	S	3/2001	Sumita		
D559,880	S *	1/2008	Sumita	D16/202

D590,428 S * 4/2009 Yamada et al. D16/219

* cited by examiner

Primary Examiner—Adir Aronovich

(74) *Attorney, Agent, or Firm*—Rader, Fishman & Grauer, PLLC

(57) **CLAIM**

The ornamental design for a video camera, as shown and described.

DESCRIPTION

FIG. 1 is a front and right side perspective view of a video camera showing my new design;

FIG. 2 is a rear elevational view thereof;

FIG. 3 is a left side elevational view thereof;

FIG. 4 is a right side elevational view thereof;

FIG. 5 is a top plan view thereof; and

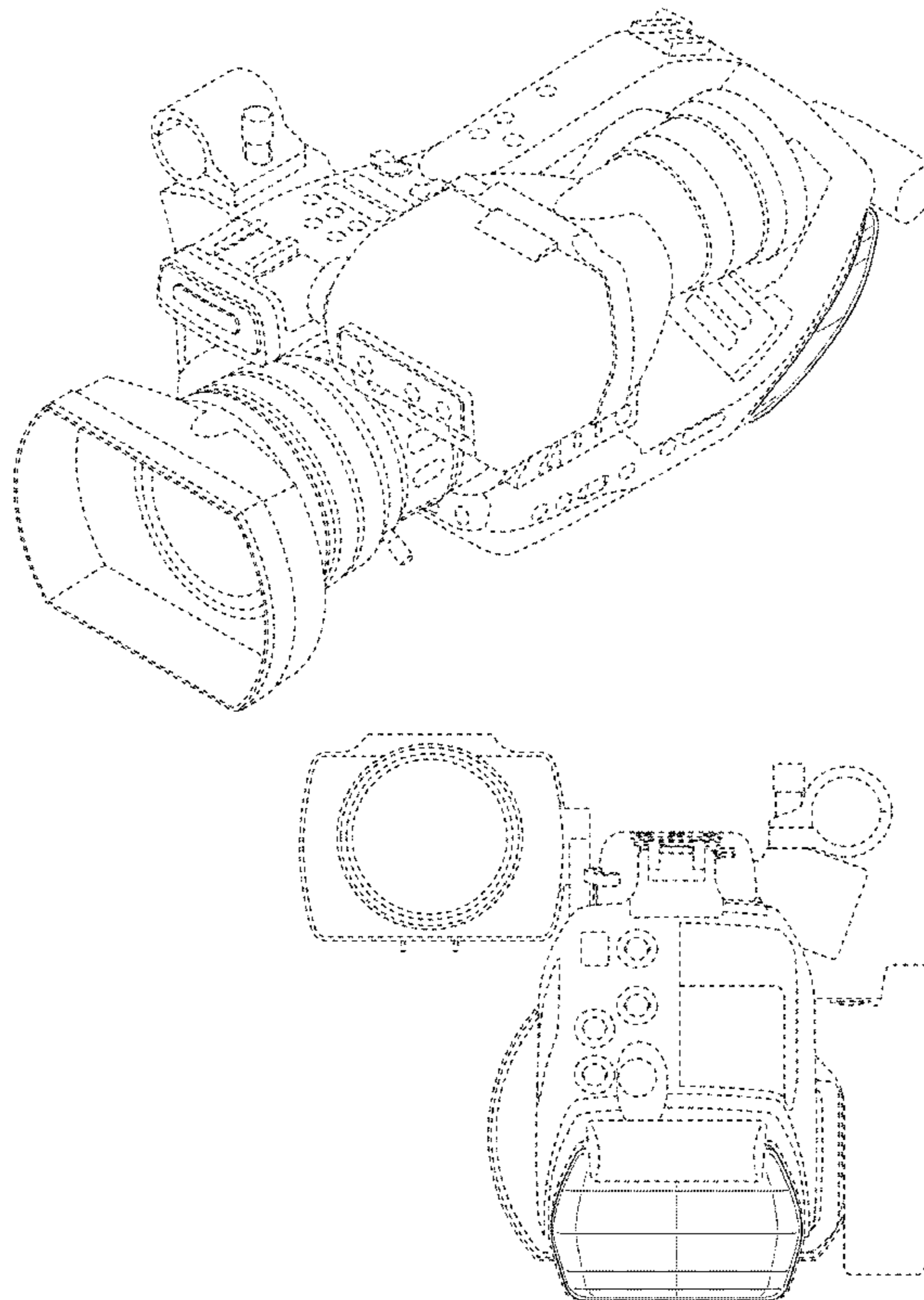
FIG. 6 is a bottom plan view thereof.

FIG. 7 is a left side elevational view thereof, the video camera being in an operational position; and,

FIG. 8 is a rear and left side perspective view thereof.

The portions of the video camera in broken lines are shown for illustrative purposes only and form no part of the claimed design.

1 Claim, 8 Drawing Sheets



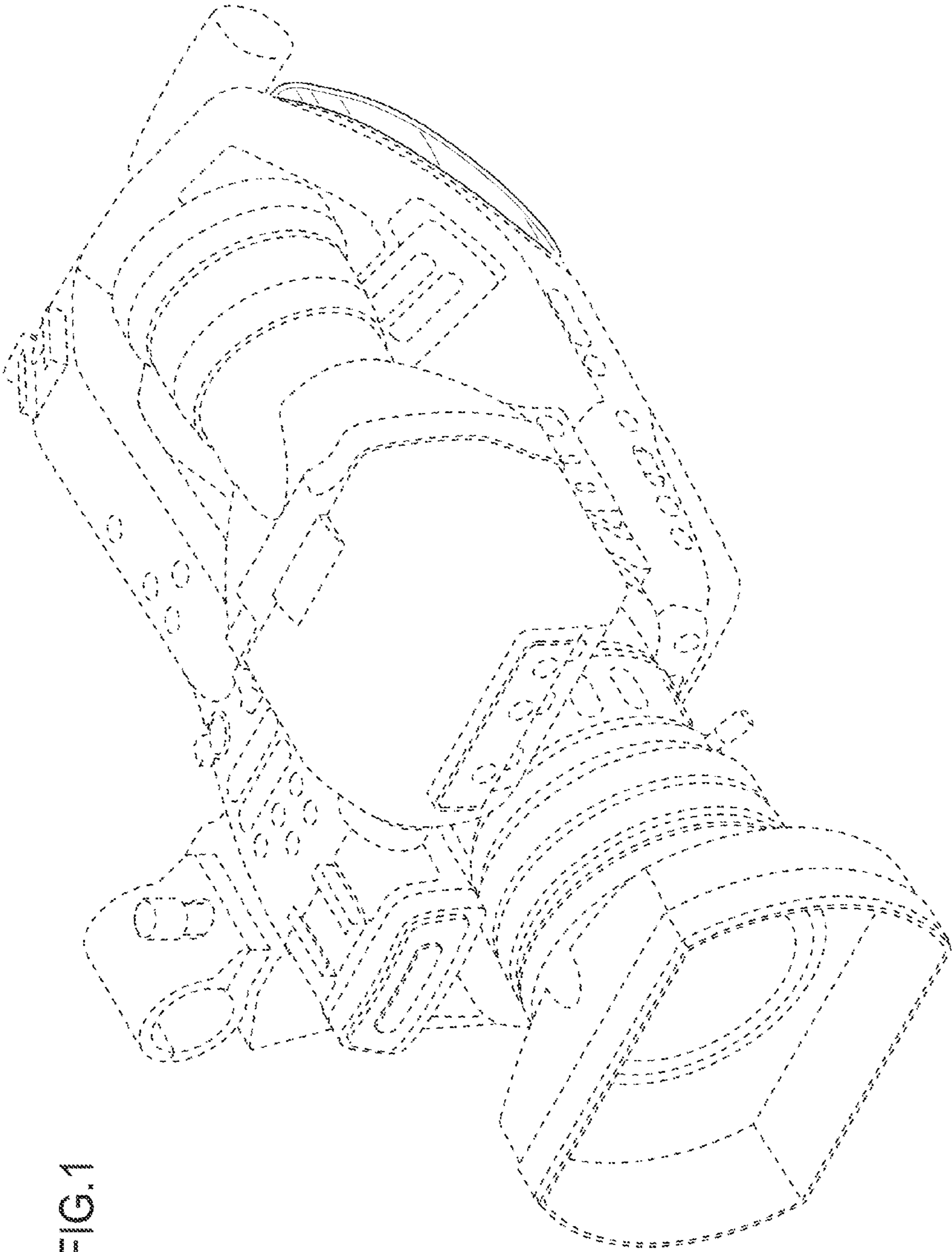


FIG.1

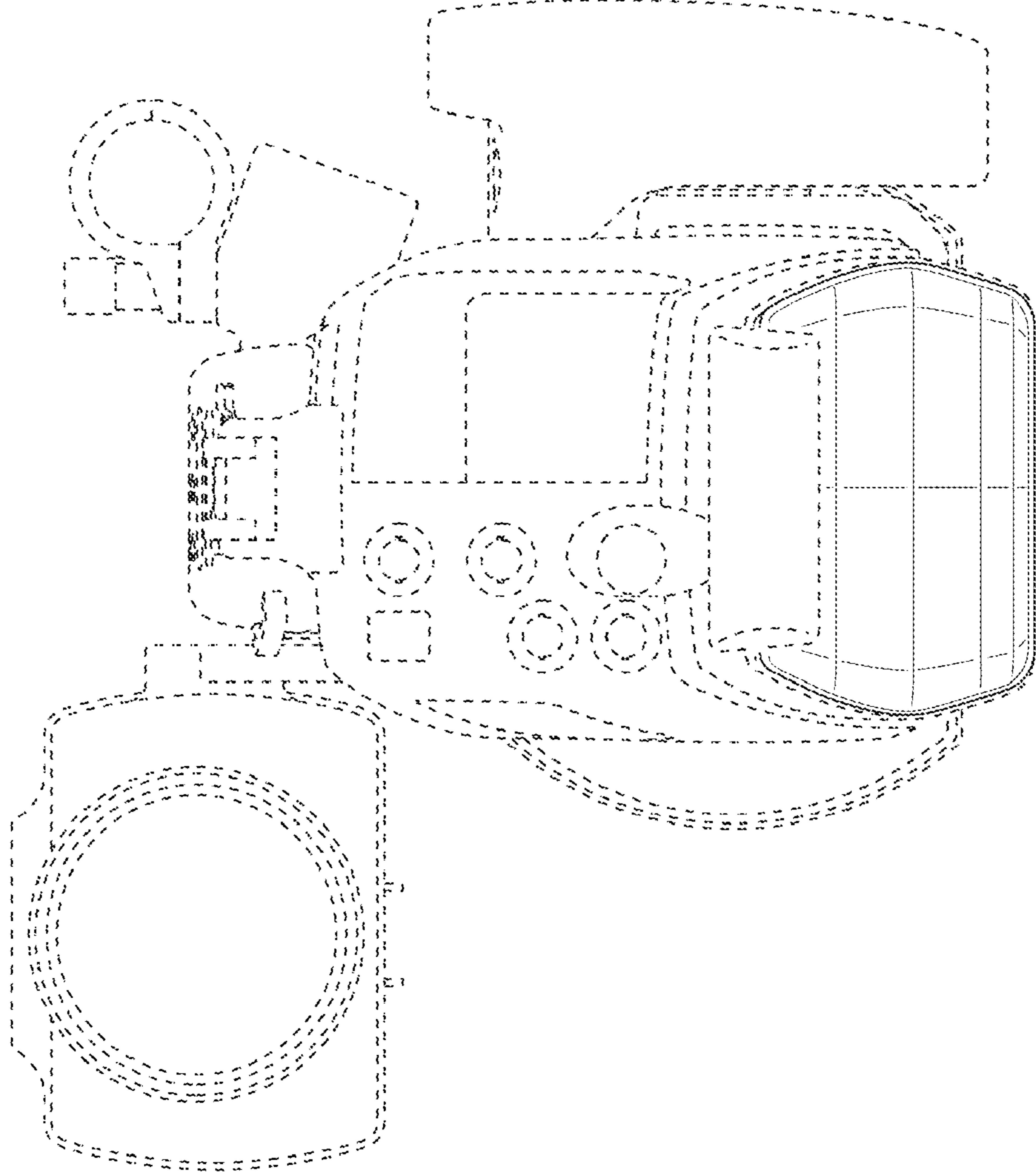


FIG.2

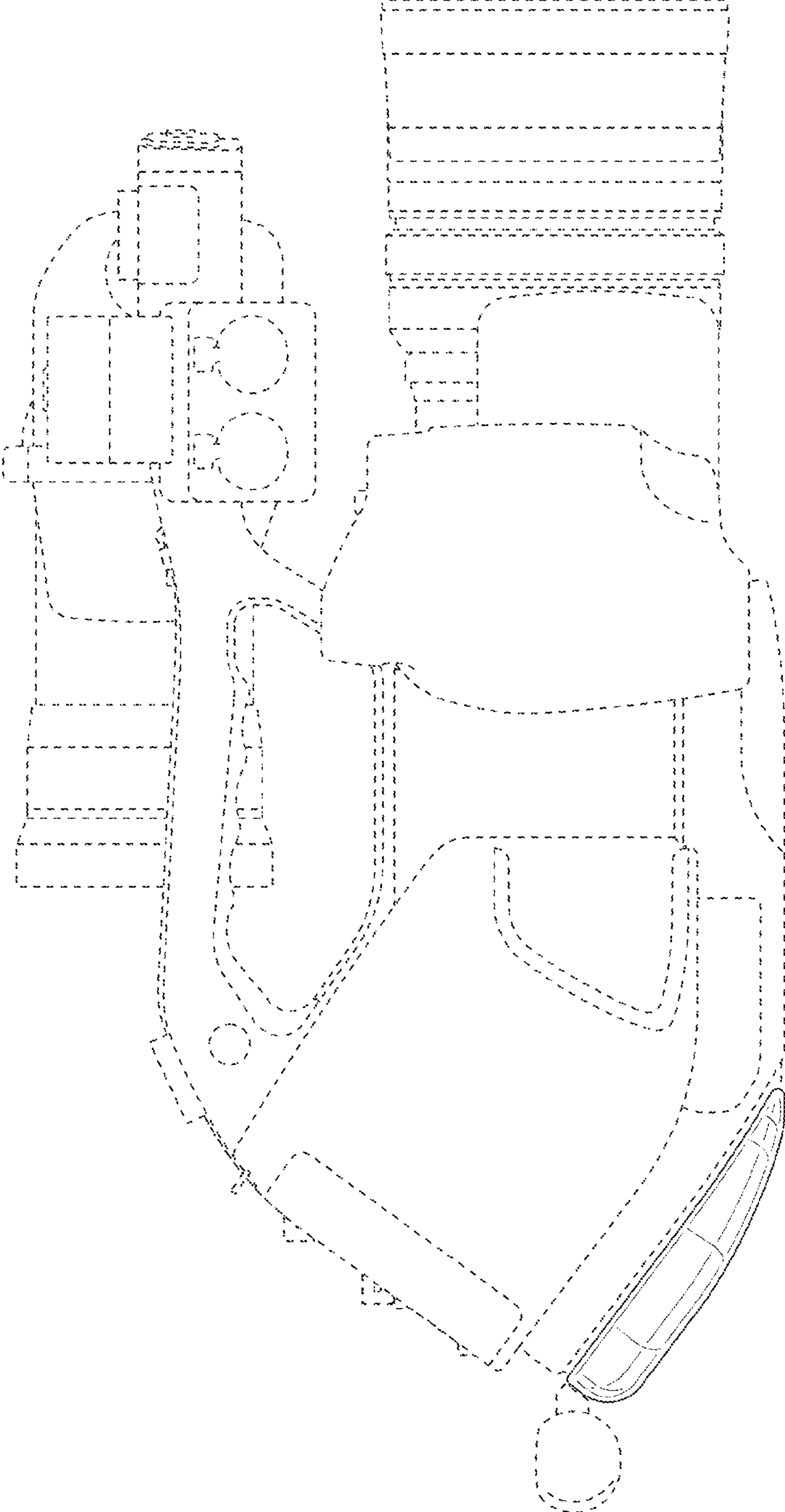


FIG.3

FIG.4

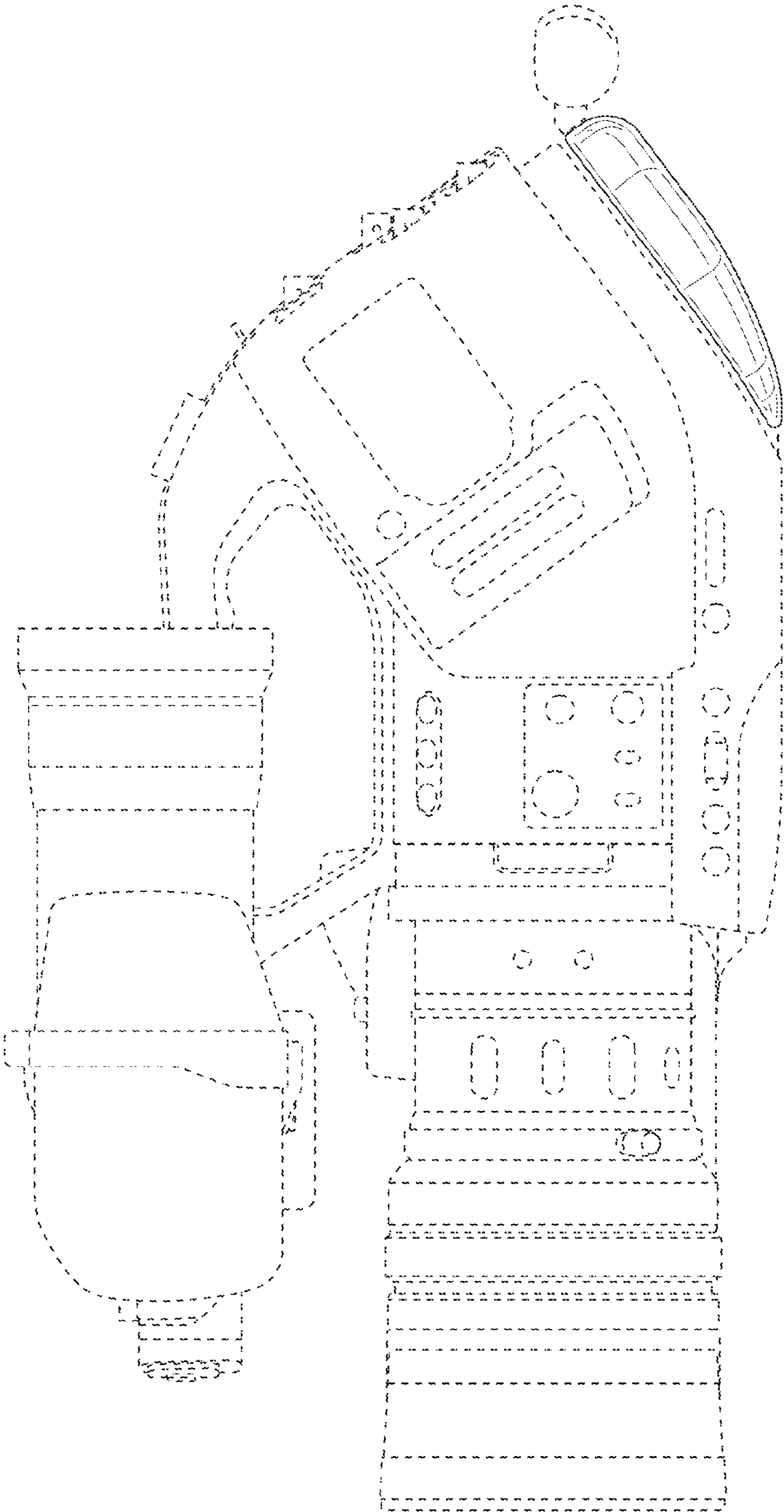
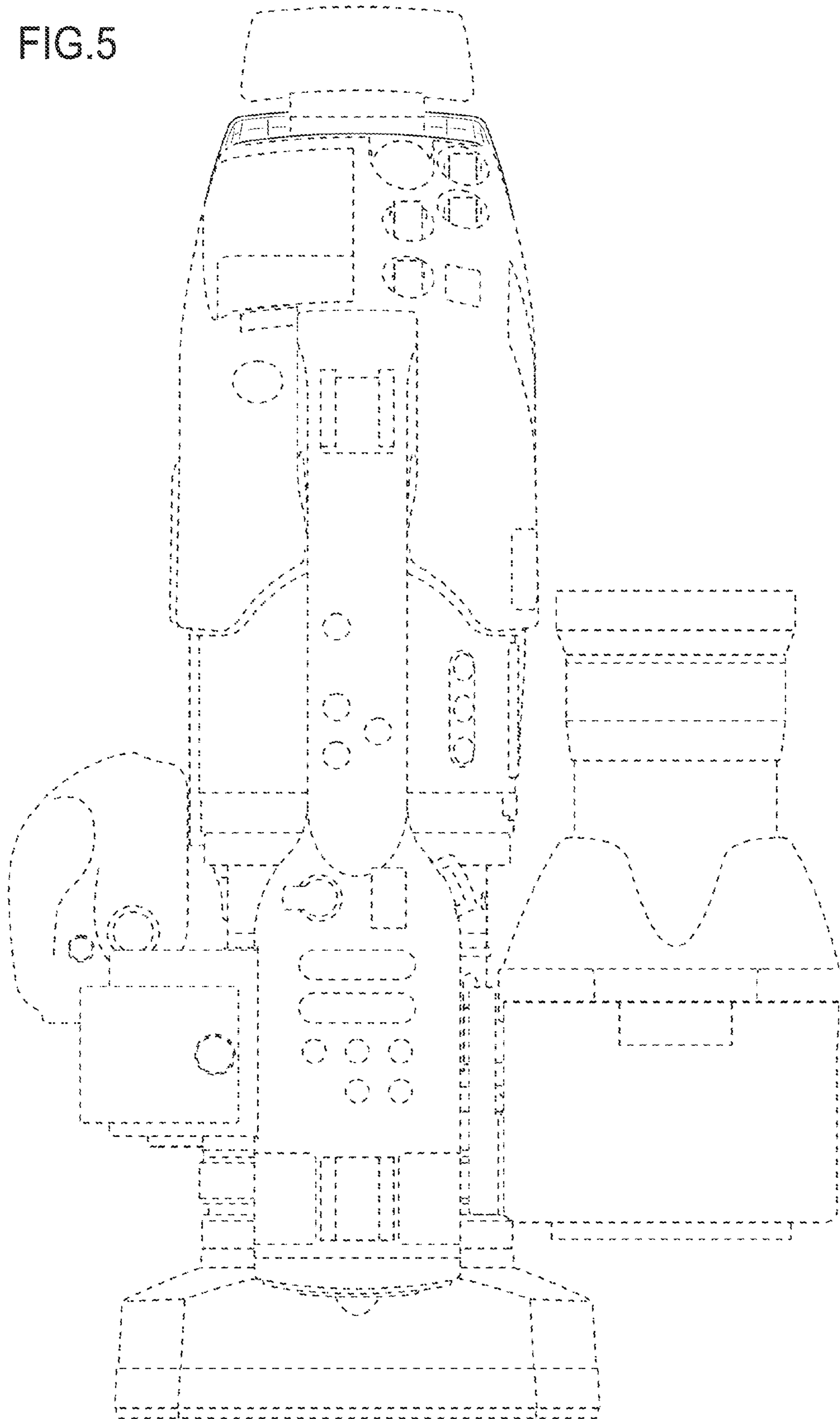
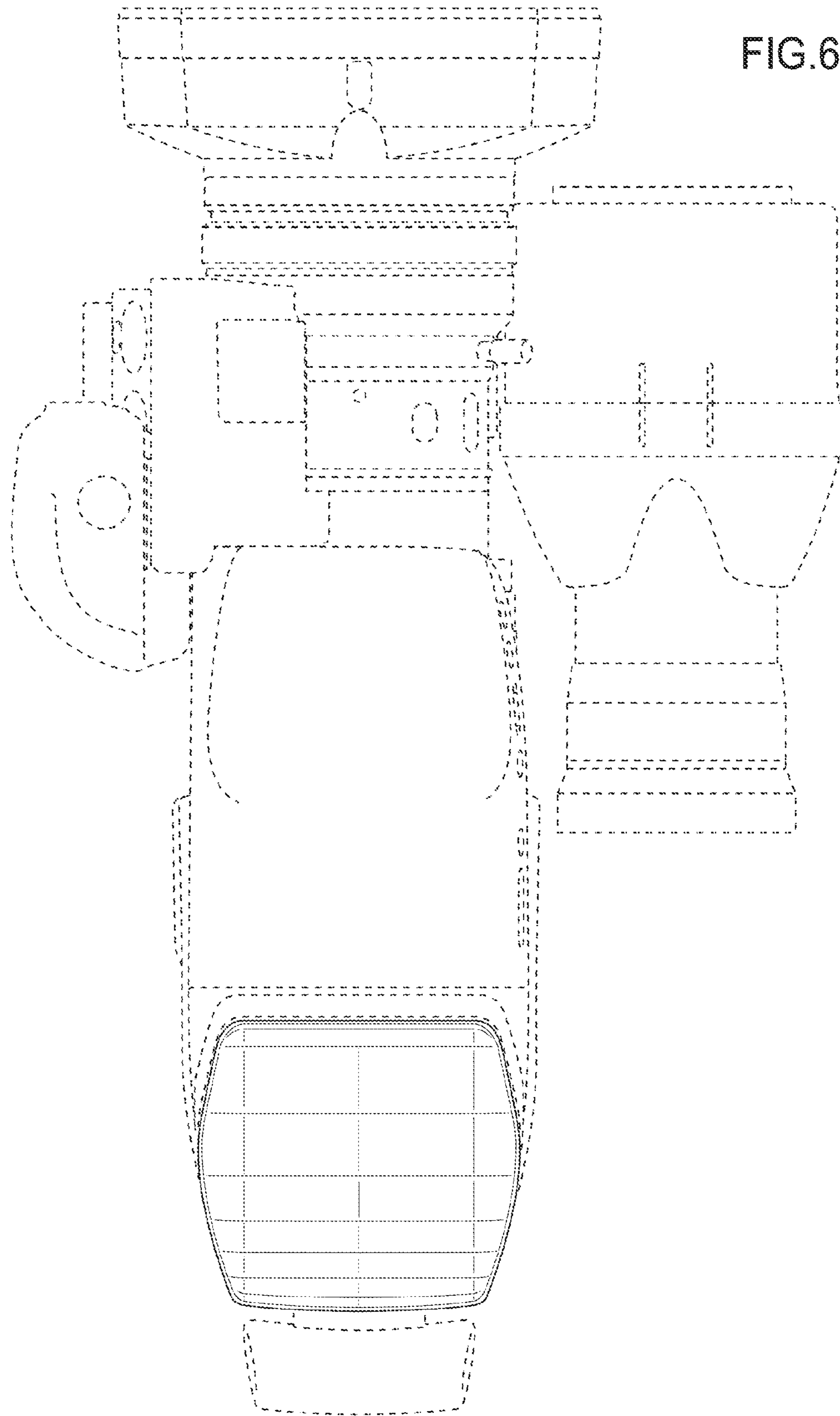


FIG.5





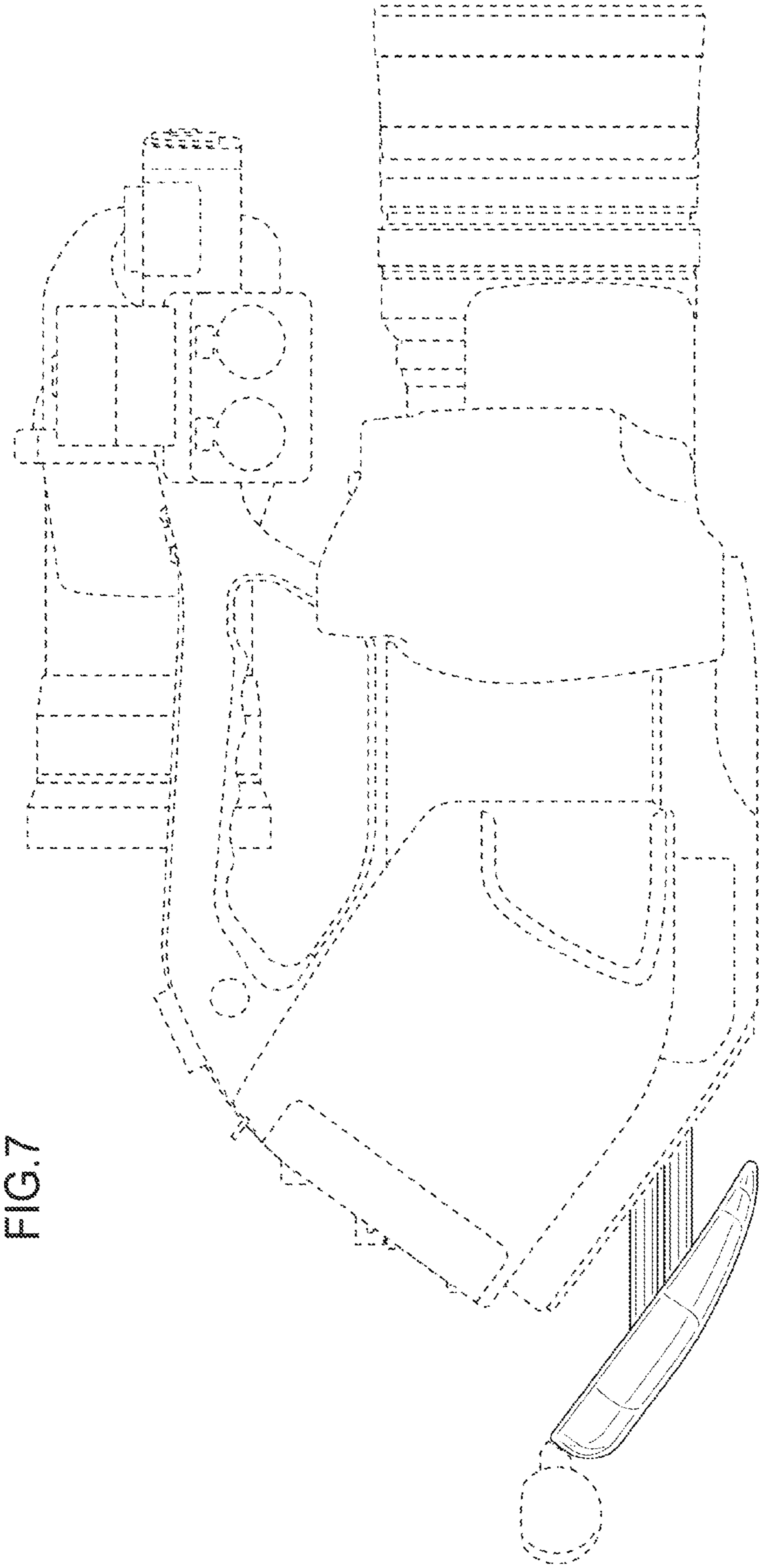


FIG. 7

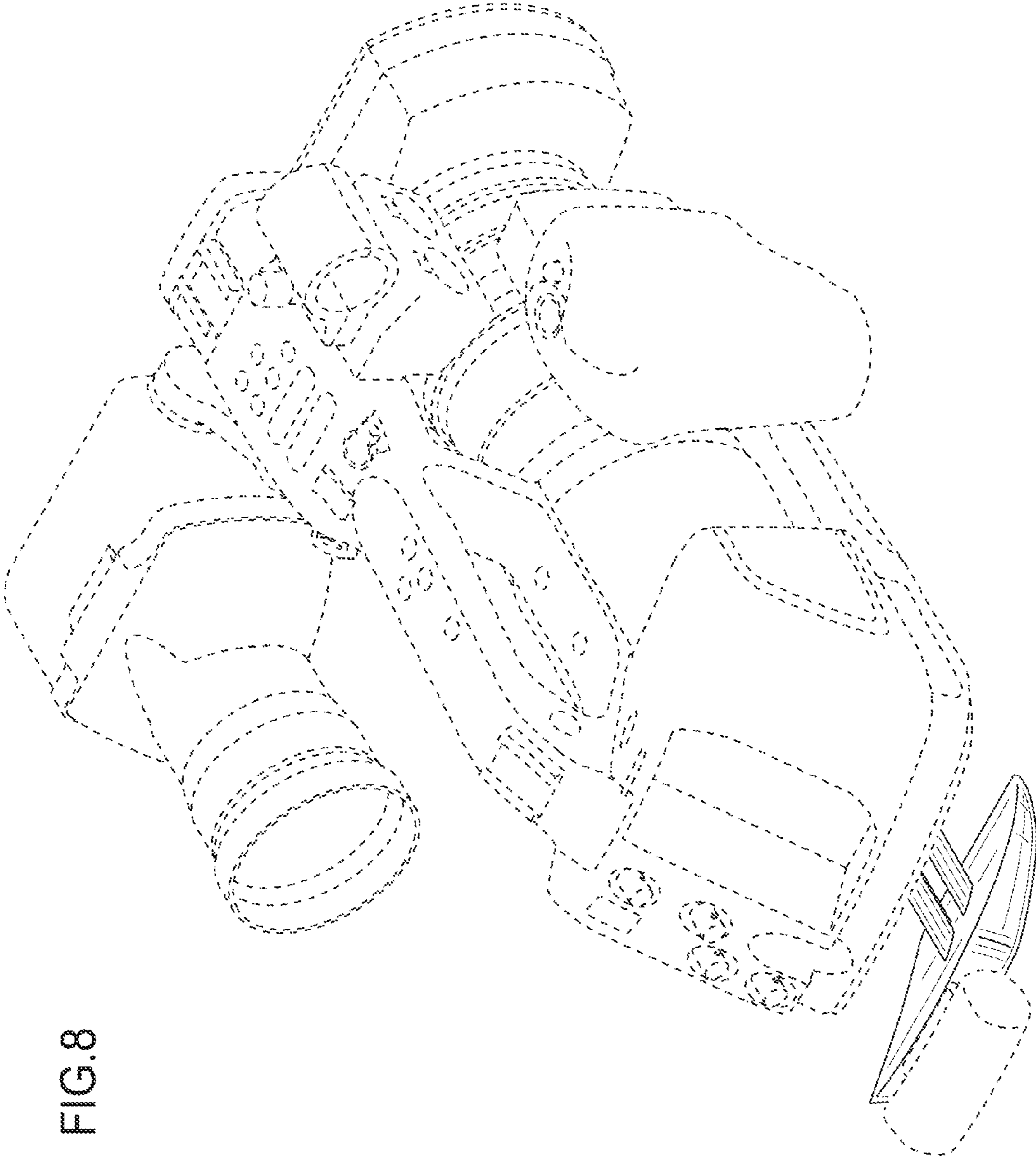


FIG. 8