



US00D604350S

(12) **United States Design Patent**
Fujii et al.

(10) **Patent No.:** **US D604,350 S**
(45) **Date of Patent:** **** Nov. 17, 2009**

(54) **COMBINED DIGITAL CAMERA AND CRADLE**

(75) Inventors: **Hiroya Fujii**, Los Angeles, CA (US);
Yuki Kubota, Santa Monica, CA (US);
Alex Isama Arie, Santa Monica, CA (US);
Michelle Koza, Los Angeles, CA (US)

(73) Assignees: **Sony Corporation**, Tokyo (JP); **Sony Electronics Inc.**, Park Ridge, NJ (US)

(**) Term: **14 Years**

(21) Appl. No.: **29/298,659**

(22) Filed: **Dec. 10, 2007**

(51) **LOC (9) Cl.** **16-01**

(52) **U.S. Cl.** **D16/208; D16/242**

(58) **Field of Classification Search** D16/200,
D16/202, 203, 208, 218, 242; 248/187.1;
352/243; 396/419, 428, 535

See application file for complete search history.

(56) **References Cited**

U.S. PATENT DOCUMENTS

3,782,671	A *	1/1974	Igwe	248/187.1
4,422,745	A *	12/1983	Hopson	396/419
D388,107	S *	12/1997	Huckins	D16/208
D515,608	S *	2/2006	Heatherly et al.	D16/208
D525,640	S *	7/2006	Bloch et al.	D16/208
D539,327	S *	3/2007	Andre et al.	D16/242
D576,652	S *	9/2008	Willis	D16/208
2004/0130657	A1 *	7/2004	Hsu	348/375

* cited by examiner

Primary Examiner—Adir Aronovich

(74) *Attorney, Agent, or Firm*—Blakely, Sokoloff, Taylor & Zafman LLP

(57) **CLAIM**

The ornamental design for a combined digital camera and cradle, as shown and described.

DESCRIPTION

FIG. 1 is a top, front and left side perspective view of a combined digital camera and cradle showing our new design;

FIG. 2 is a front elevational view thereof;

FIG. 3 is a left side elevational view thereof, the undisclosed right side view being a mirror image;

FIG. 4 is a rear elevational view thereof;

FIG. 5 is a top plan view thereof;

FIG. 6 is a bottom plan view thereof;

FIG. 7 is an exploded view of a top front and left side perspective view of the combined camera and cradle;

FIG. 8 top, front and left side perspective view of a cradle thereof, the digital camera being omitted for ease of illustration;

FIG. 9 is a top plan view of the cradle illustrated in FIG. 8;

FIG. 10 is a front elevational view of the cradle illustrated in FIG. 8;

FIG. 11 is a top, front and left side perspective view of a digital camera thereof, the cradle being omitted for ease of illustration;

FIG. 12 a top plan view of the digital camera illustrated in FIG. 11;

FIG. 13 is a front elevational view of the digital camera illustrated in FIG. 11;

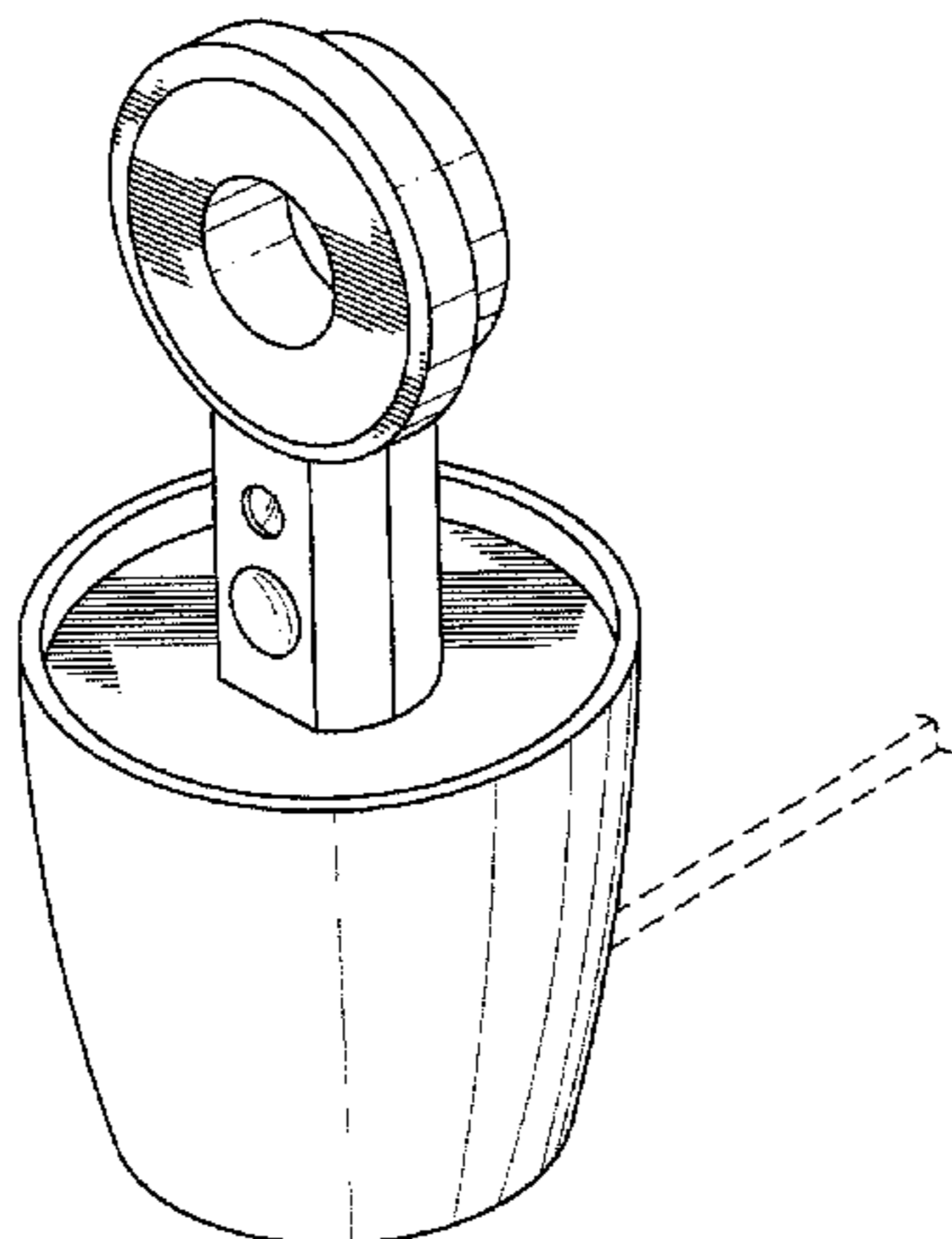
FIG. 14 is left side elevational view of the digital camera illustrated in FIG. 11;

FIG. 15 is a rear elevational view of the digital camera illustrated in FIG. 11; and,

FIG. 16 a bottom plan view of the digital camera illustrated in FIG. 11.

The broken lines shown throughout the drawings are for illustrative purposes only and form no part of the claimed design.

1 Claim, 7 Drawing Sheets



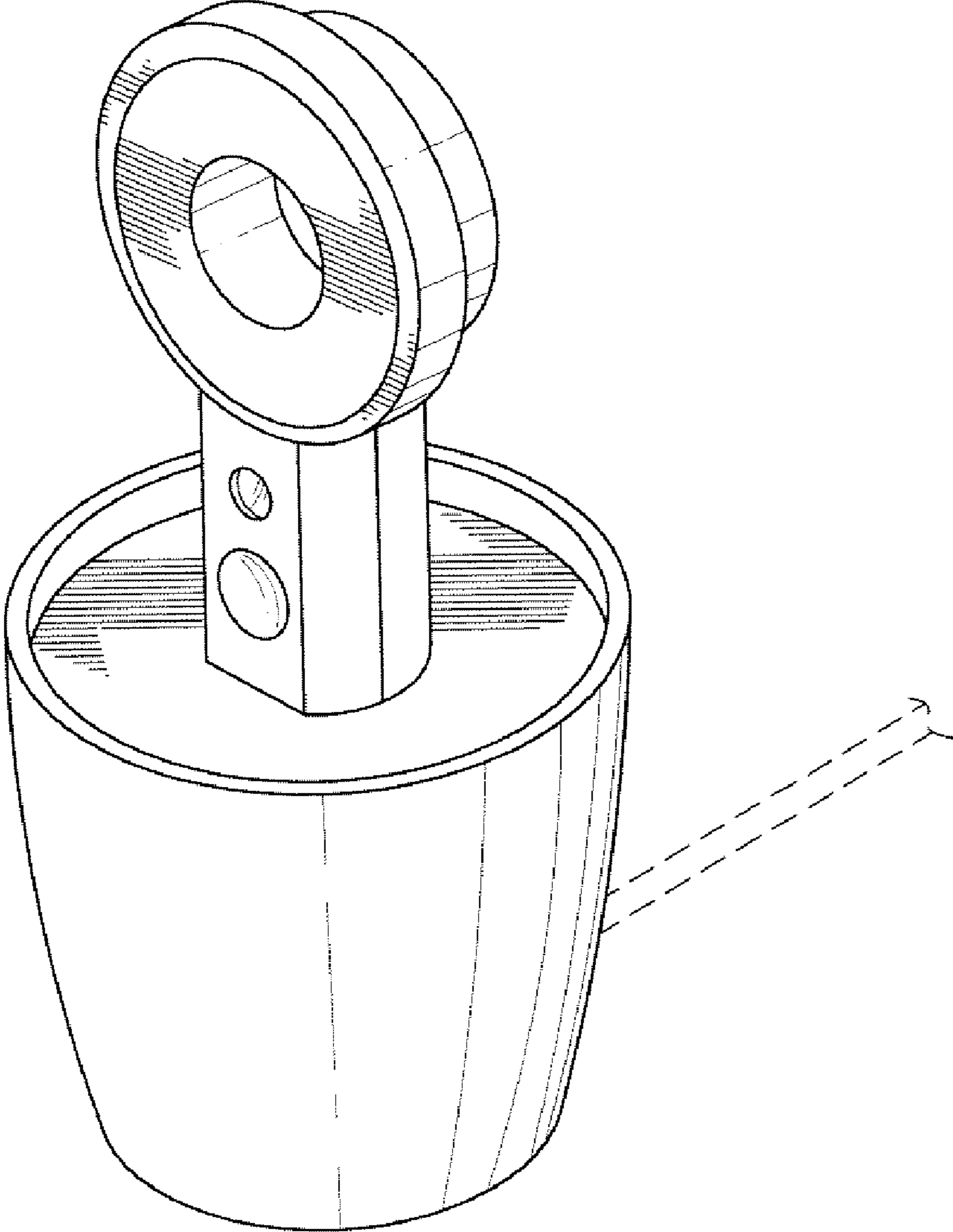


FIG. 1

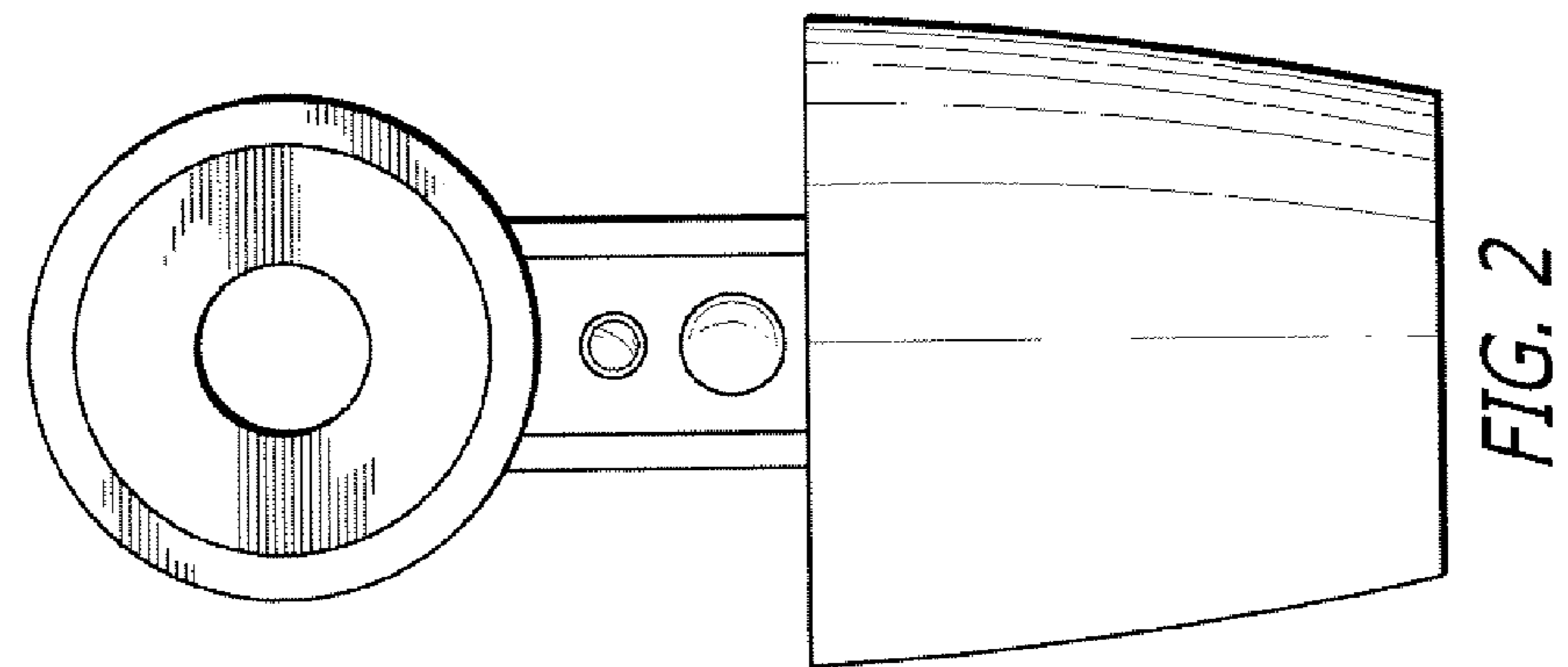
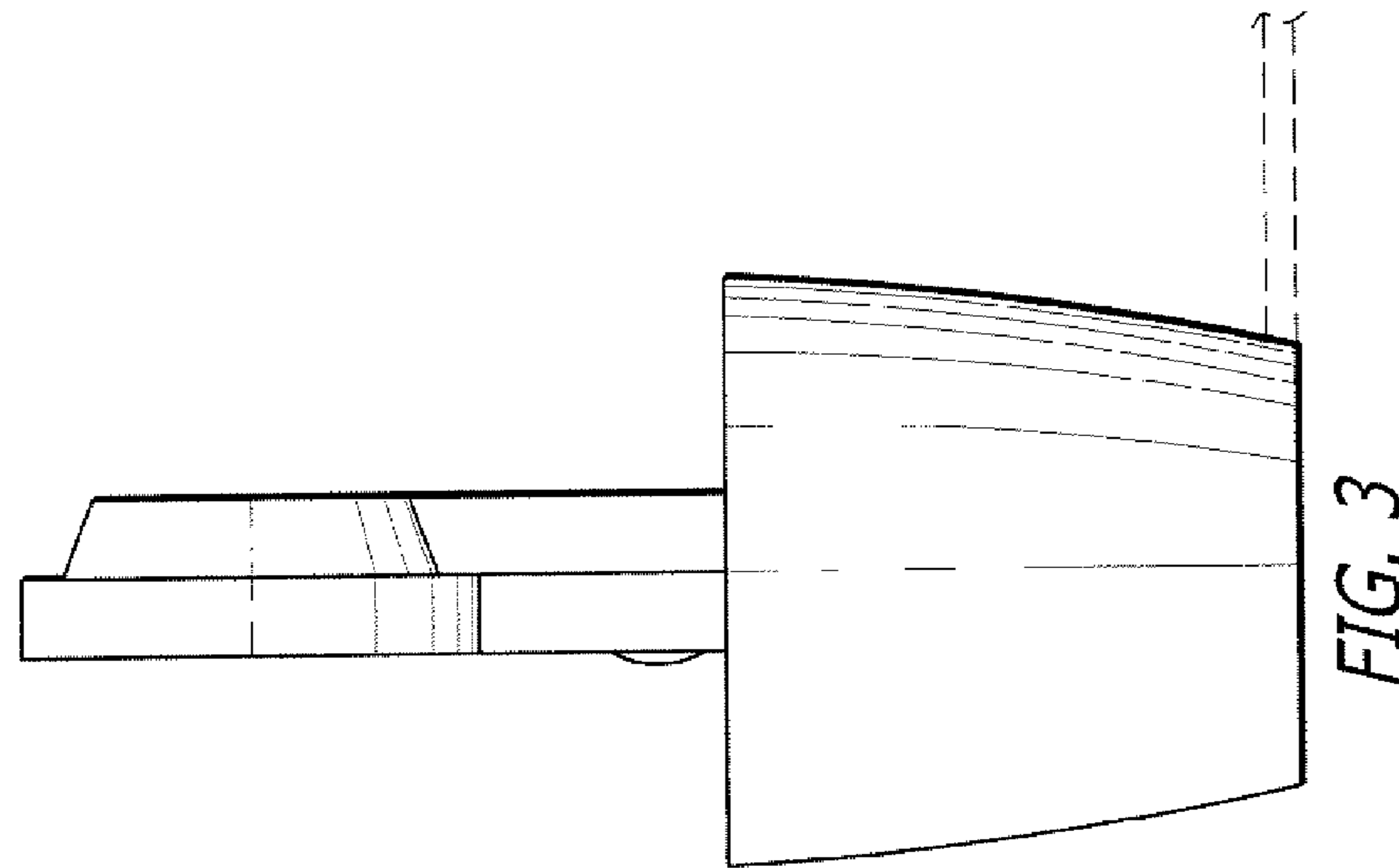
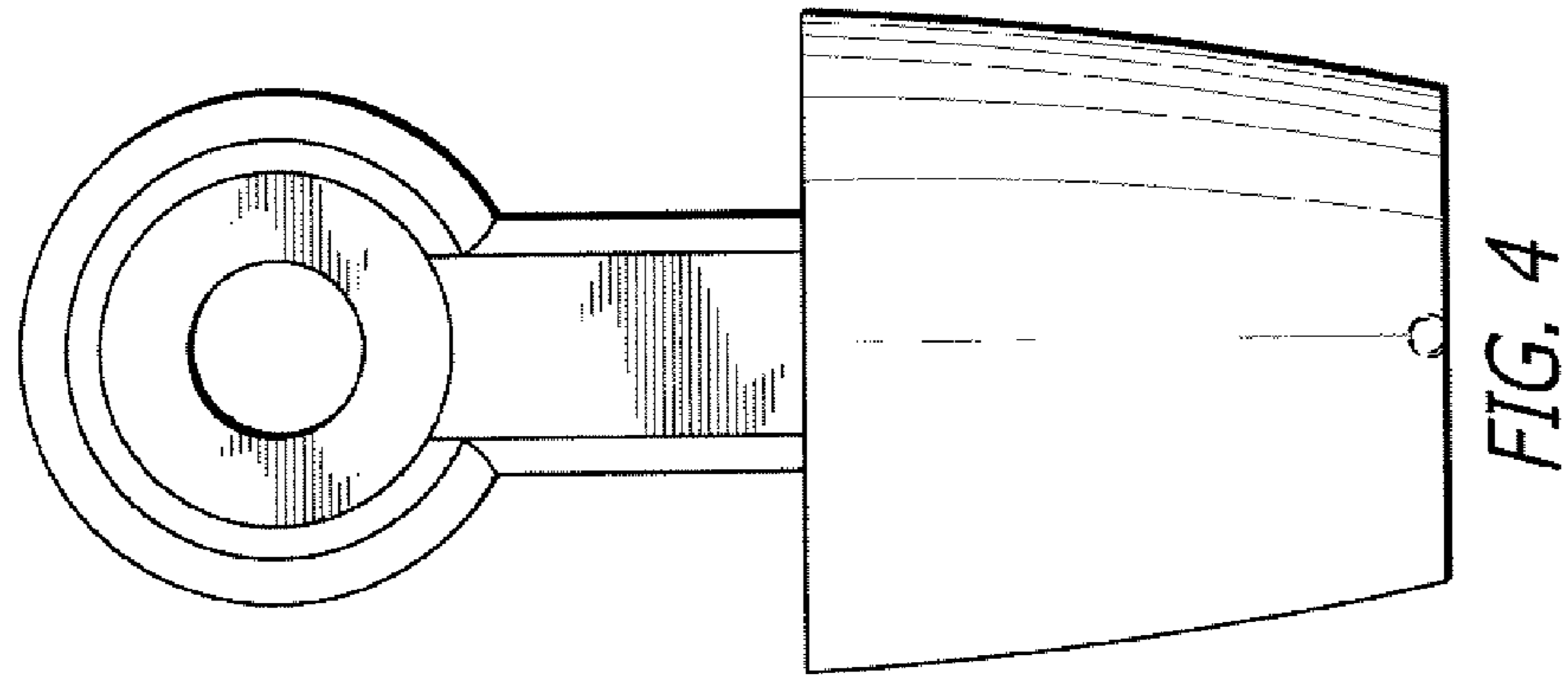


FIG. 5

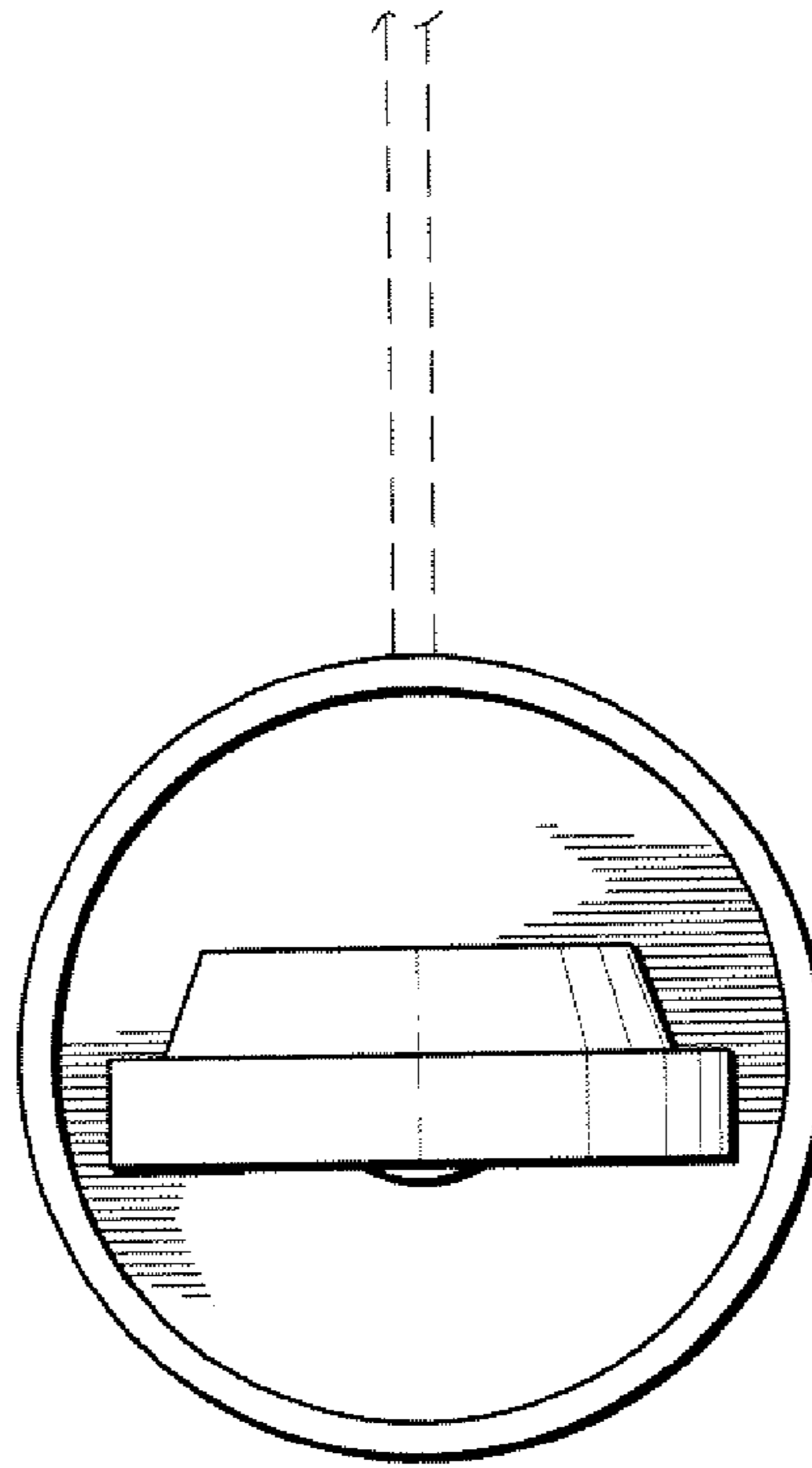


FIG. 6

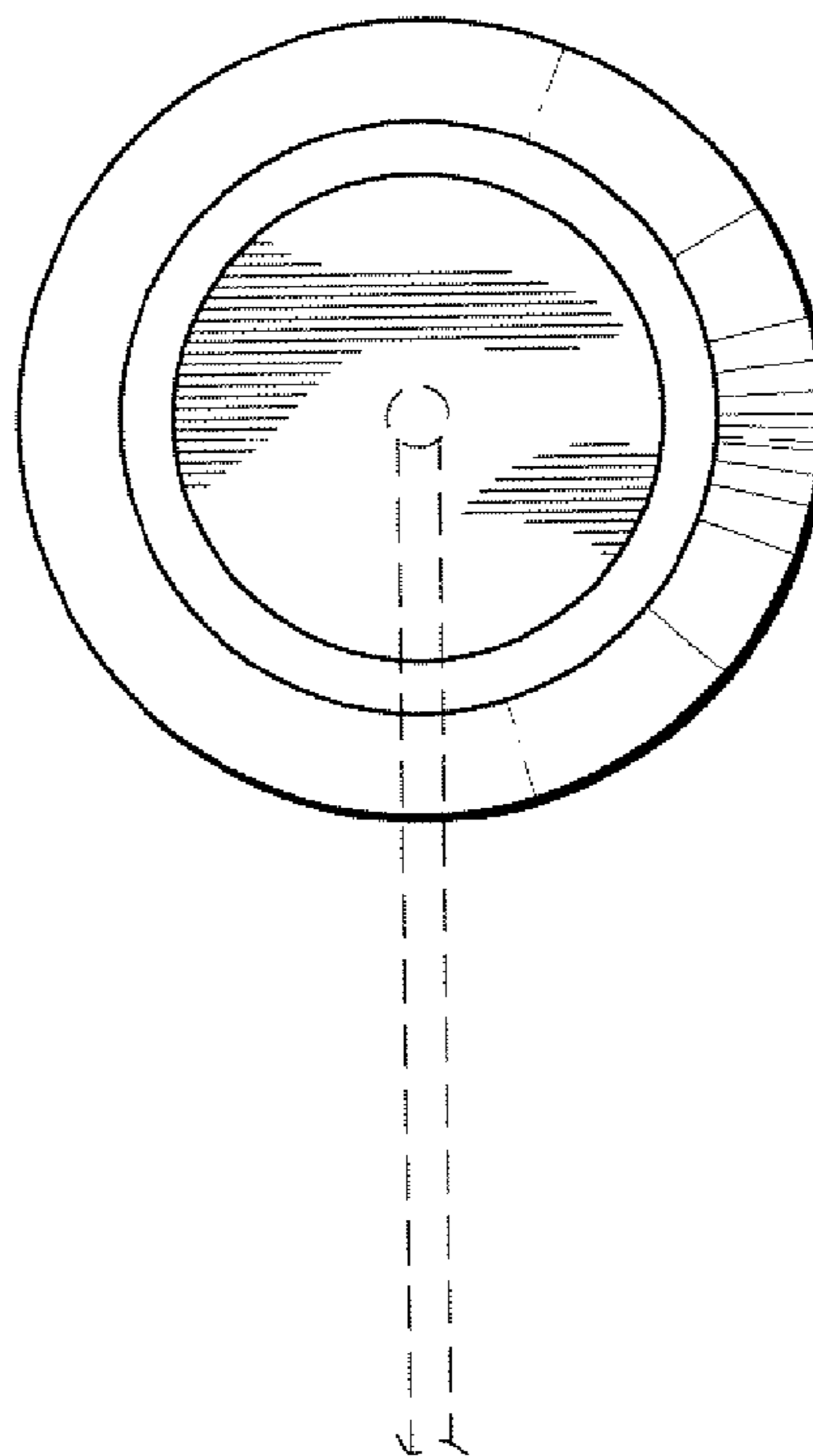
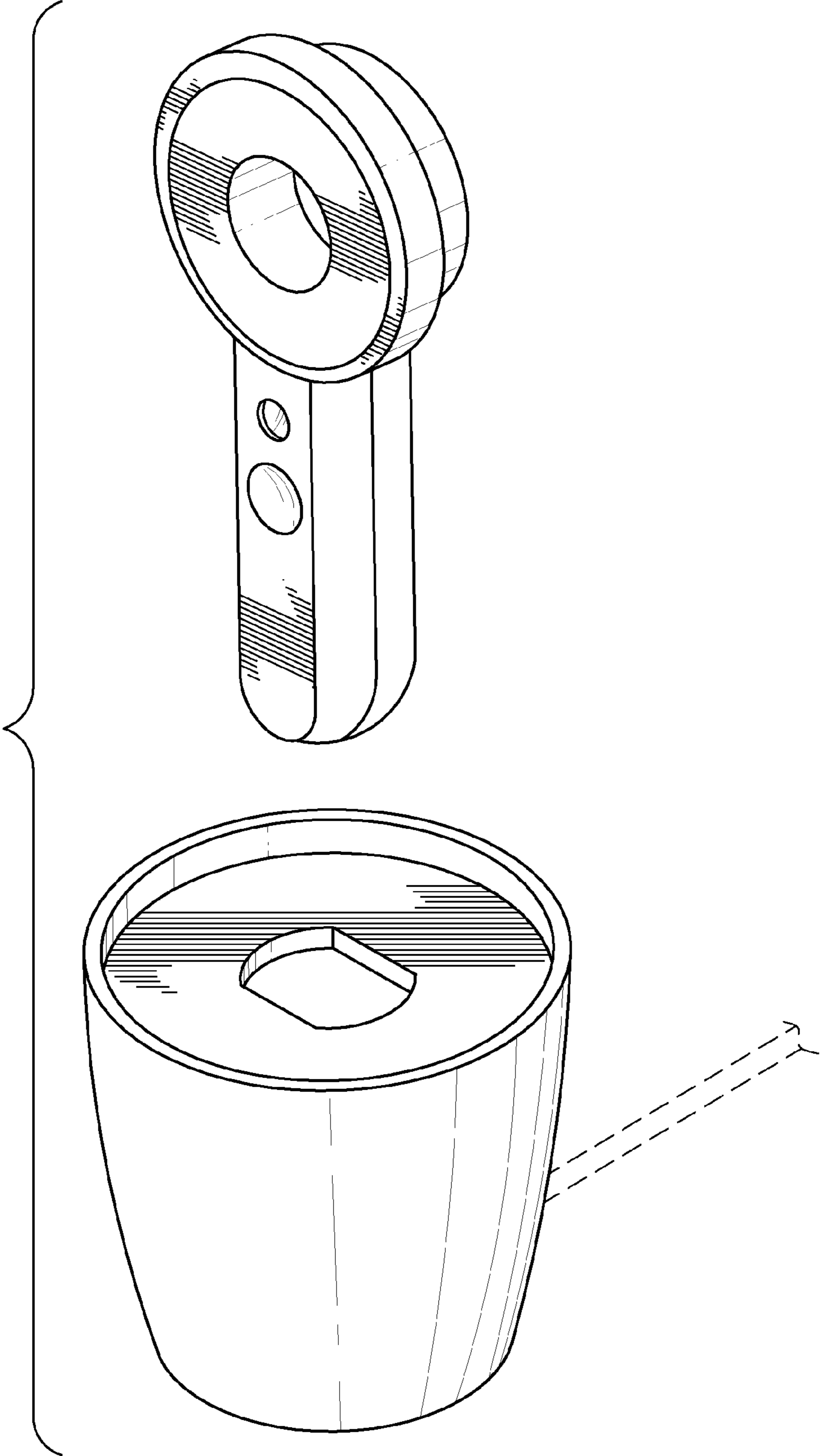


FIG. 7



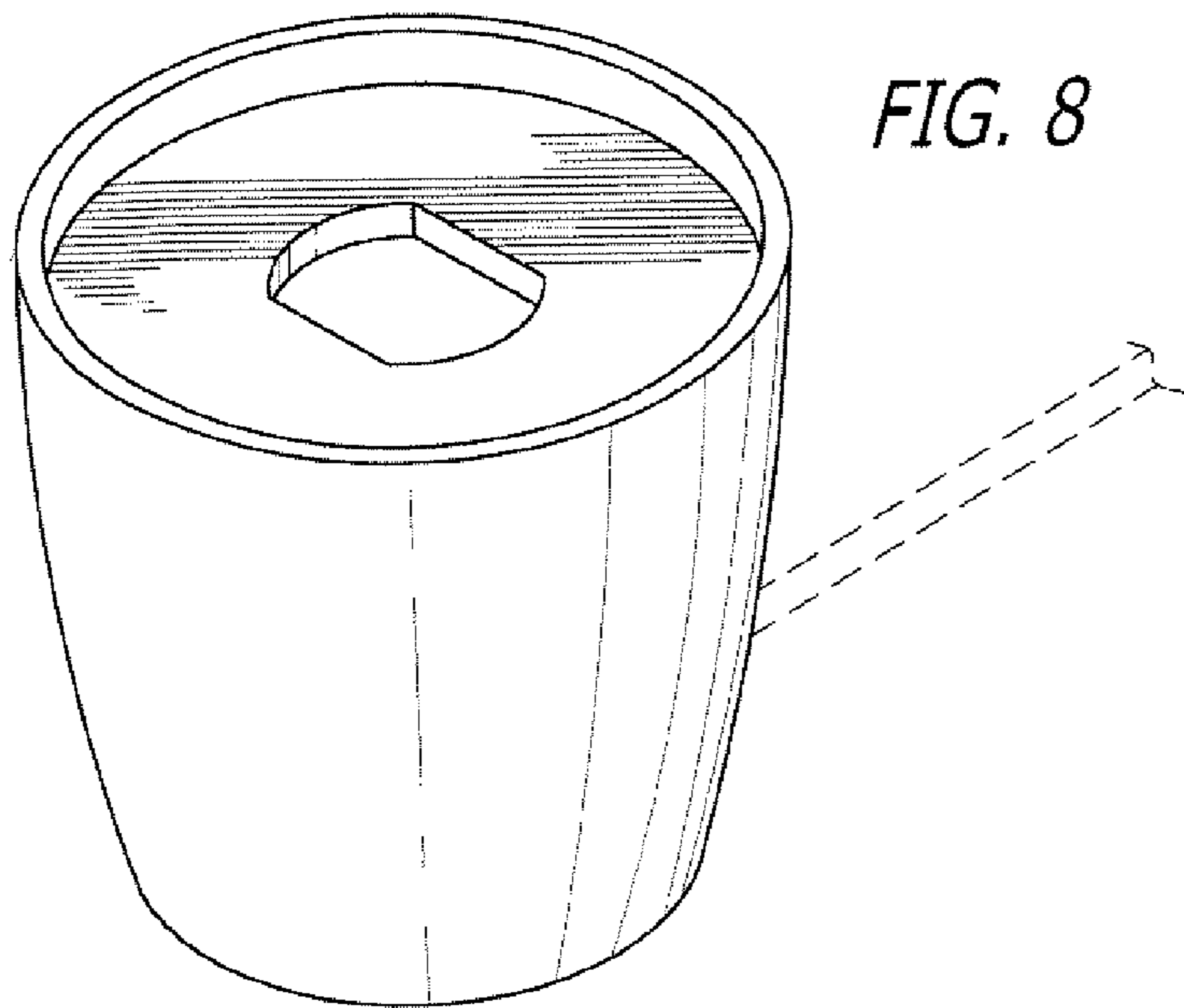


FIG. 8

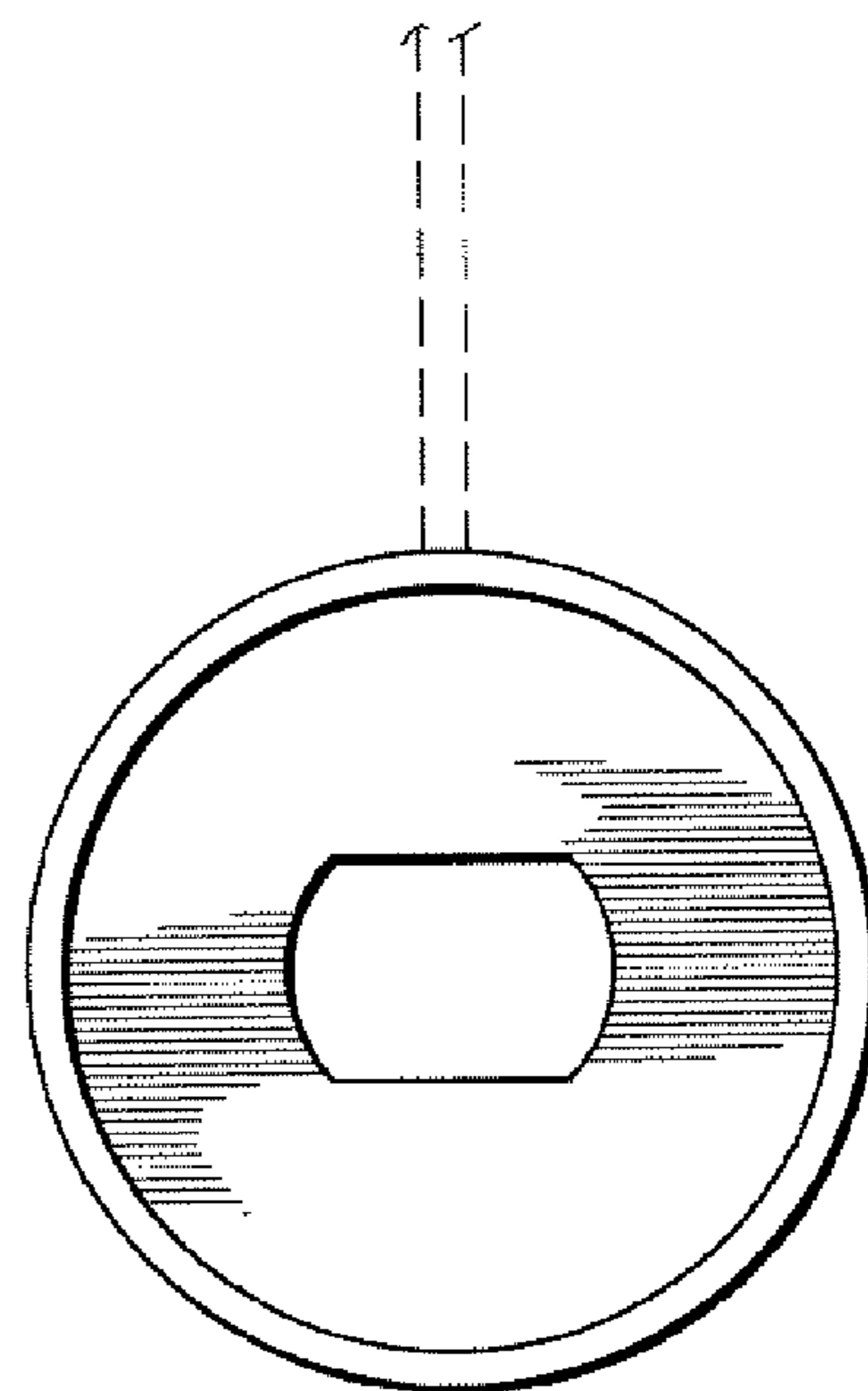


FIG. 9

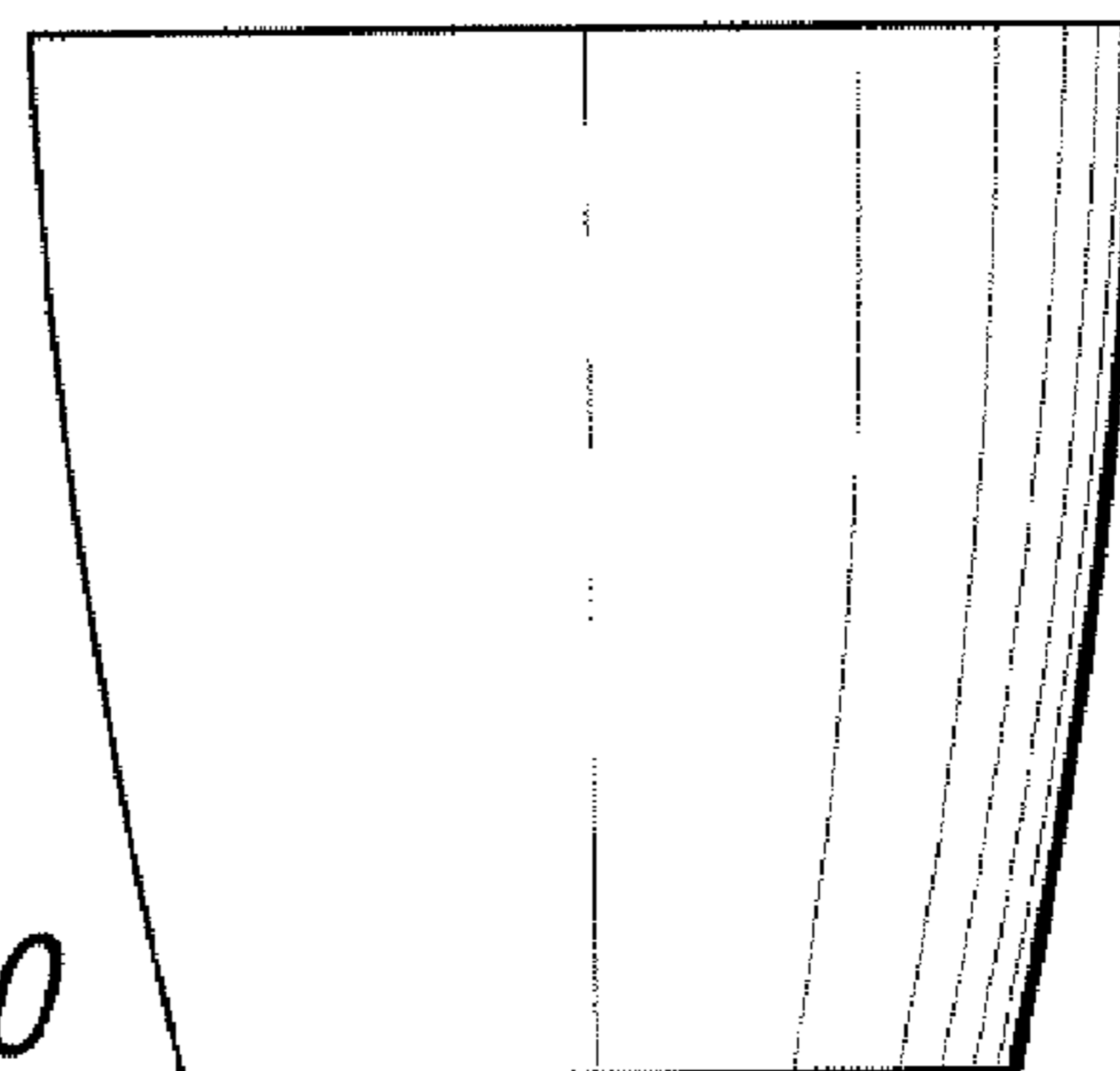


FIG. 10

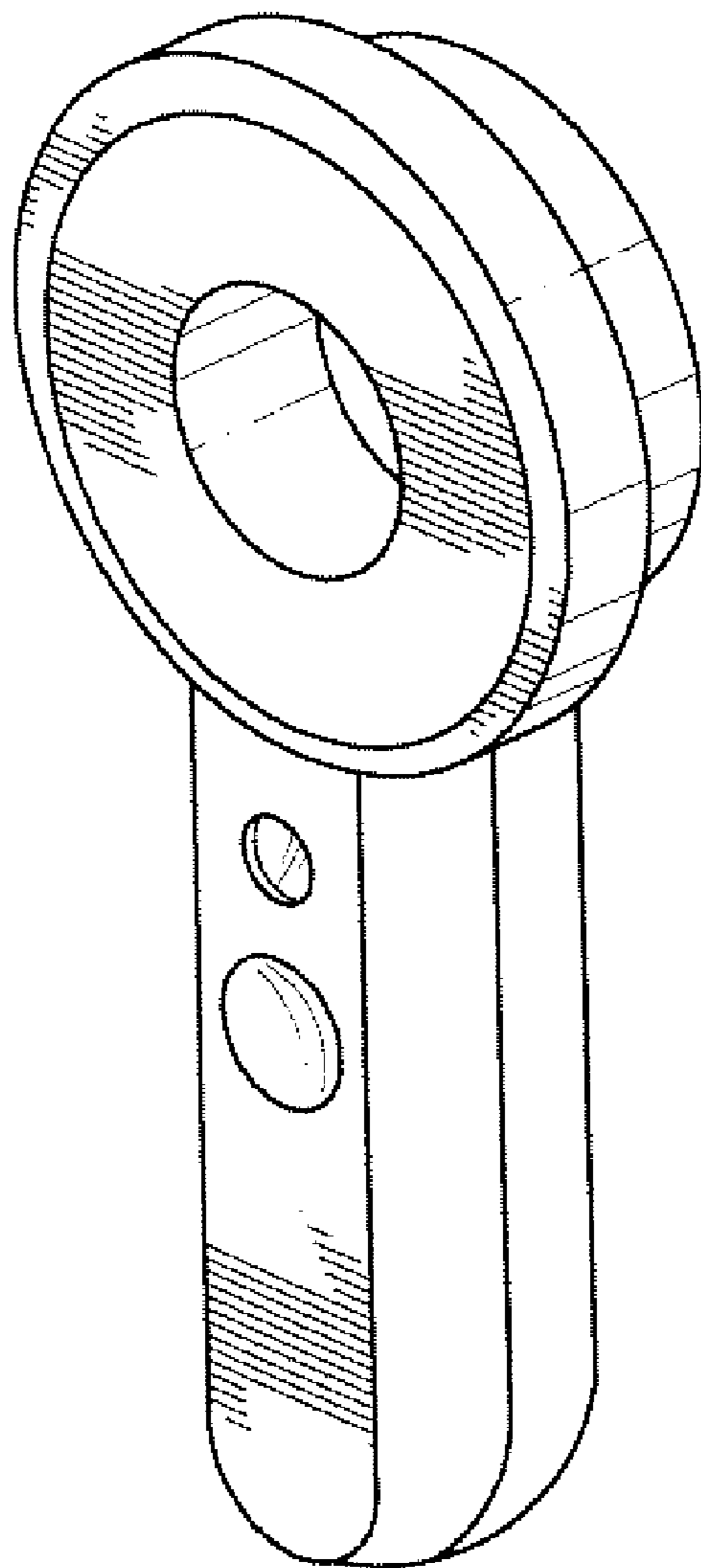


FIG. 11

