



US00D604347S

(12) **United States Design Patent**
Wittenstein

(10) **Patent No.:** **US D604,347 S**

(45) **Date of Patent:** **** Nov. 17, 2009**

(54) **TRANSMISSION**

(75) Inventor: **Manfred Wittenstein**, Bad Mergentheim (DE)

(73) Assignee: **Wittenstein AG**, Igersheim (DE)

(**) Term: **14 Years**

(21) Appl. No.: **29/286,875**

(22) Filed: **May 21, 2007**

(30) **Foreign Application Priority Data**

Nov. 22, 2006 (EM) 000625082

(51) **LOC (9) Cl.** **15-99**

(52) **U.S. Cl.** **D15/149**

(58) **Field of Classification Search** D15/5,
D15/143, 148, 149; 464/7, 49-51, 54, 73,
464/76, 79, 83, 106, 149, 182

See application file for complete search history.

(56) **References Cited**

U.S. PATENT DOCUMENTS

- RE29,328 E * 8/1977 Kemper 475/115
- D277,763 S * 2/1985 Borgersen et al. D15/149
- 5,248,283 A * 9/1993 Eckhardt et al. 475/72
- D377,657 S * 1/1997 Winters, Sr. D15/149
- D403,004 S * 12/1998 Kaye D15/149
- D497,374 S * 10/2004 Wittenstein D15/148
- D520,040 S * 5/2006 Muller et al. D15/149

- D523,045 S * 6/2006 Costello D15/149
- D529,527 S * 10/2006 Kinoshita D15/148
- D533,204 S * 12/2006 Kinoshita D15/149

* cited by examiner

Primary Examiner—Sandra Snapp

Assistant Examiner—Patricia Palasik

(74) *Attorney, Agent, or Firm*—Bachman & LaPointe, P.C.

(57) **CLAIM**

The ornamental design for a transmission, as shown and described.

DESCRIPTION

FIGS. 1 and 2 are respectively perspective front and rear views of the transmission according to the invention.

A particular peculiarity is the shape of the transmission, in particular the shape of the housing.

FIG. 3 is a top view of the transmission of FIG. 1, highlighting the connecting elements for carrying the connecting lines.

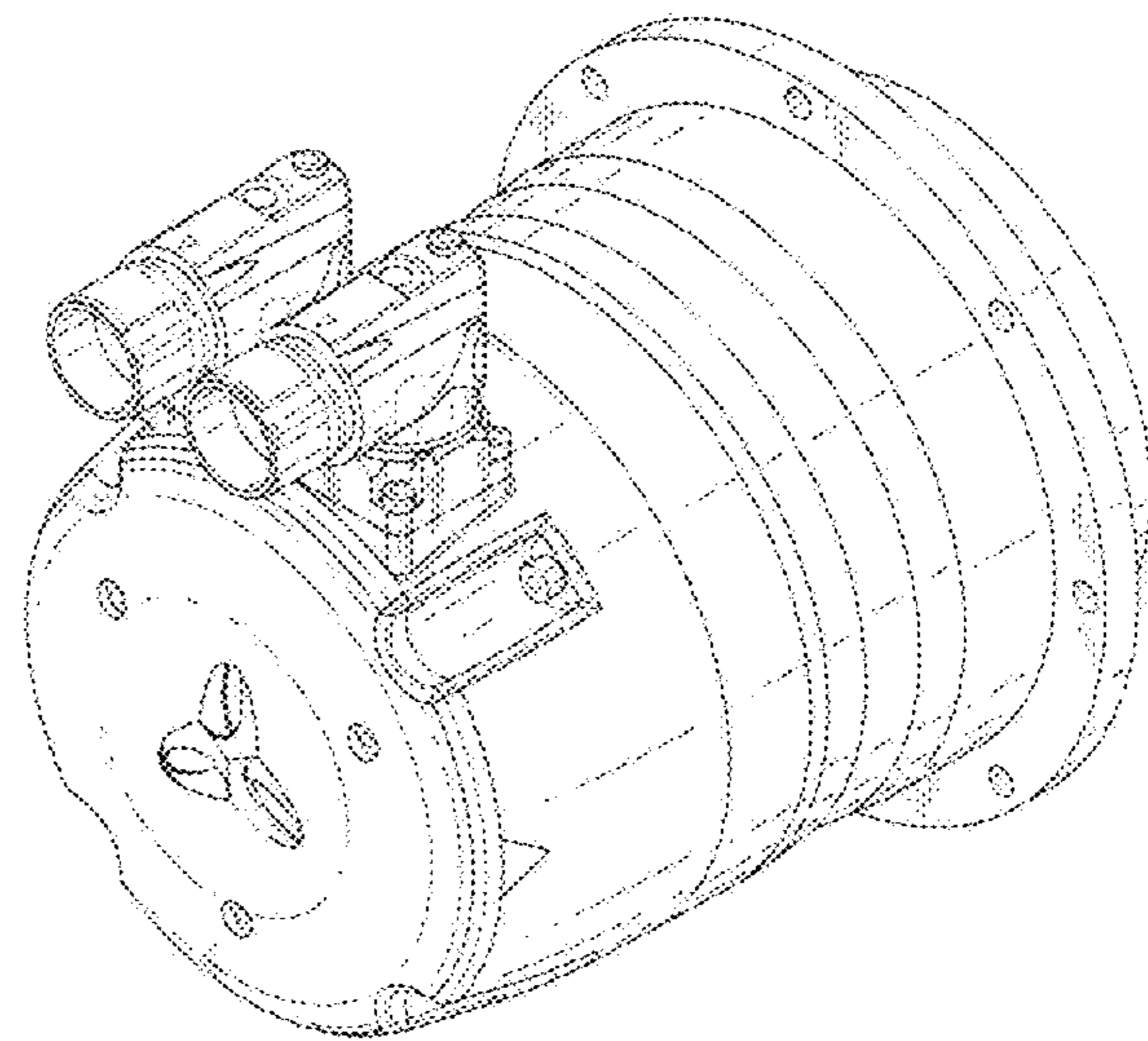
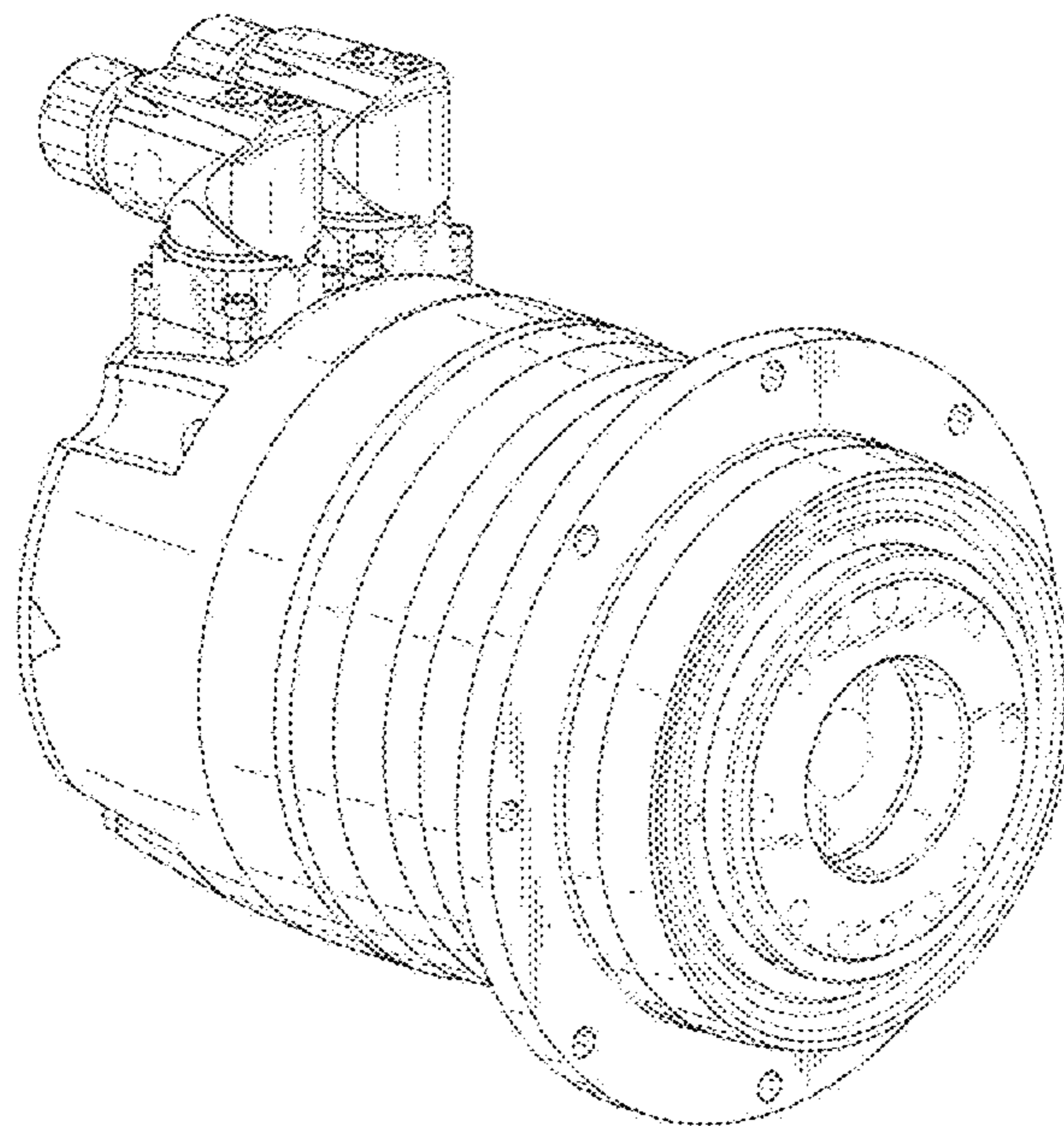
FIG. 4 is a bottom view of the transmission of FIG. 1.

FIG. 5 is a right side view of the transmission of FIG. 1 and is the same as the left side view; and,

FIGS. 6 and 7 are respectively front and rear views of the transmission of FIG. 1.

The features shown in dotted lines in FIGS. 1-7 do not form part of the design.

1 Claim, 4 Drawing Sheets



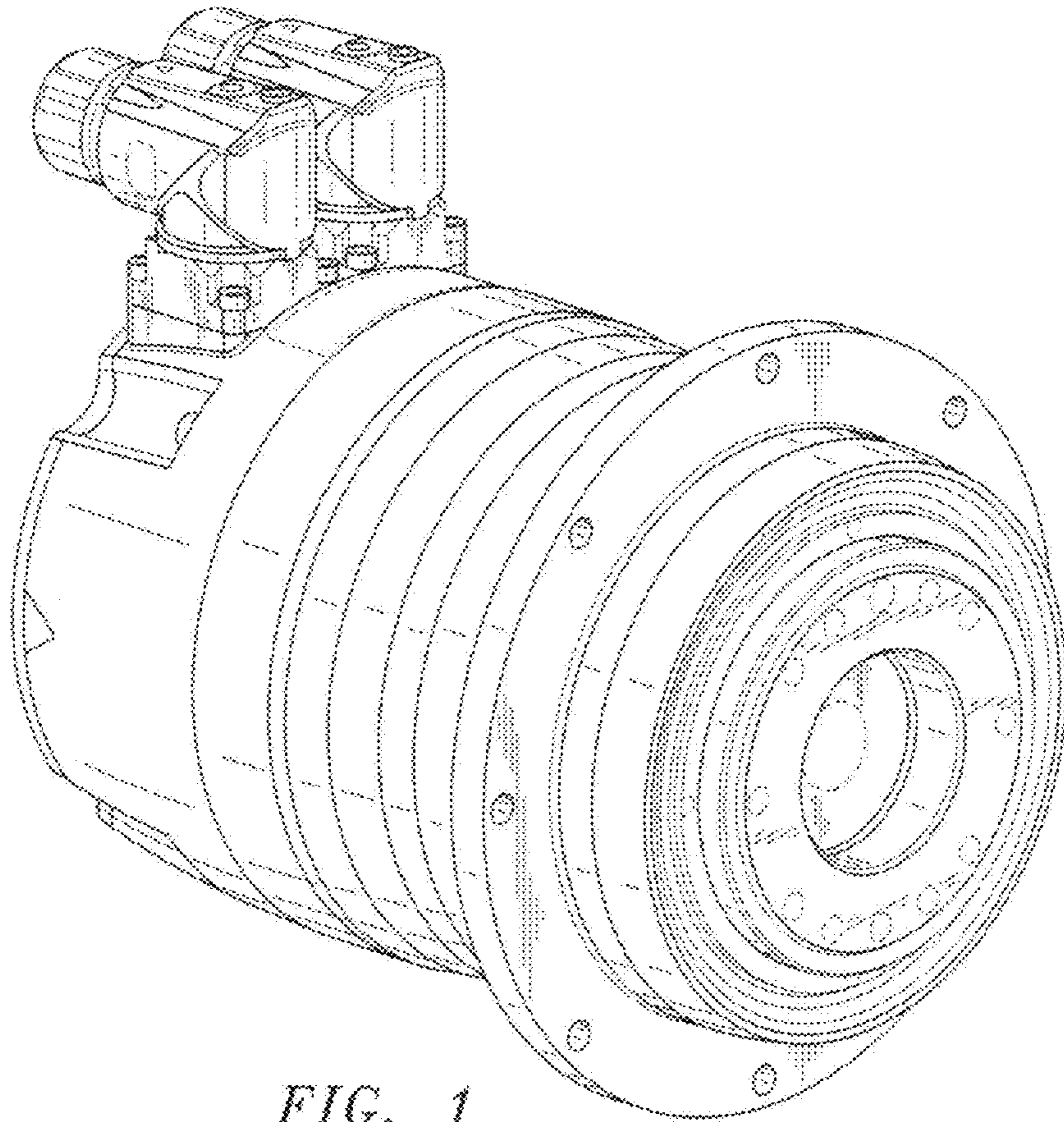


FIG. 1

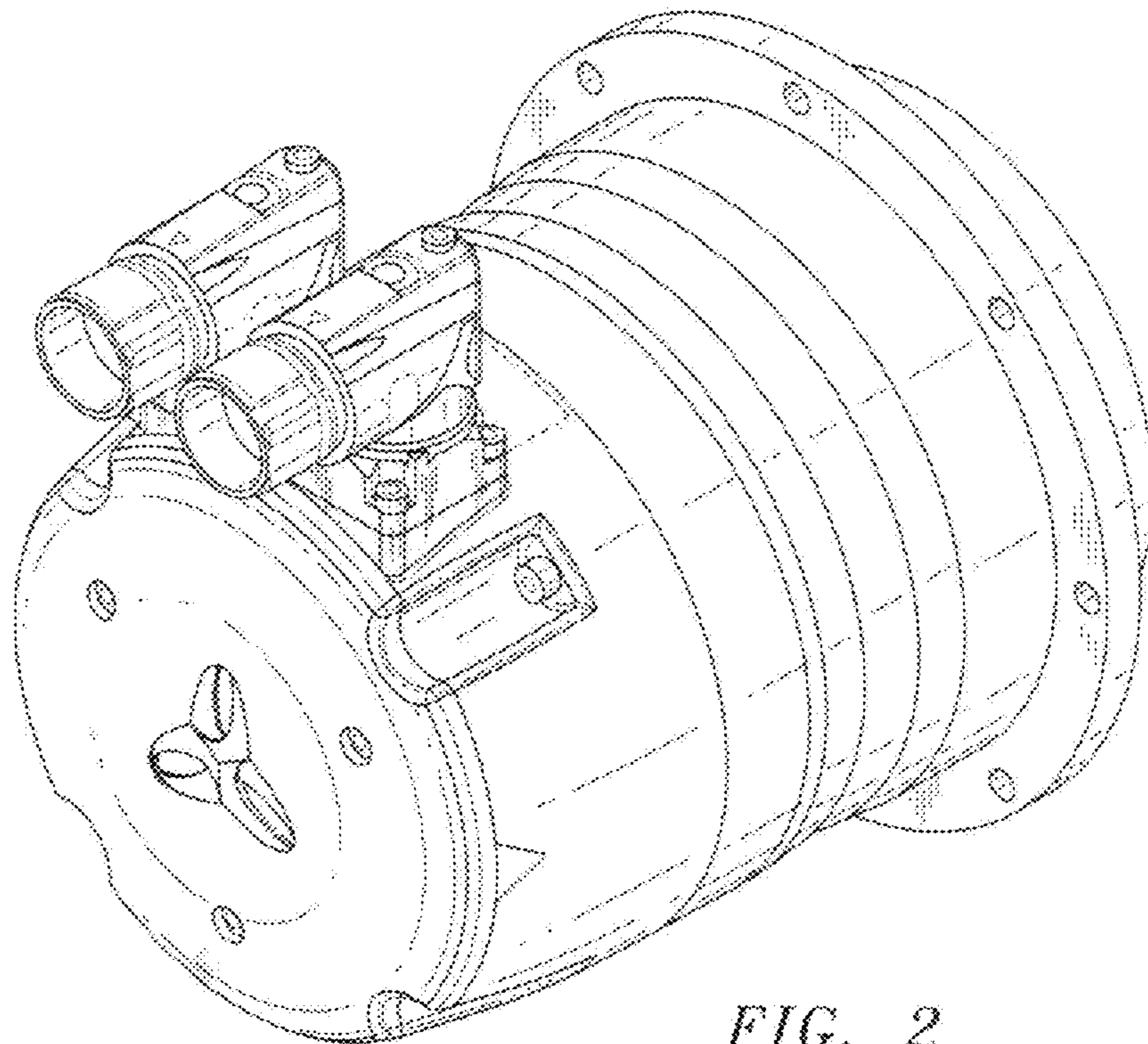


FIG. 2

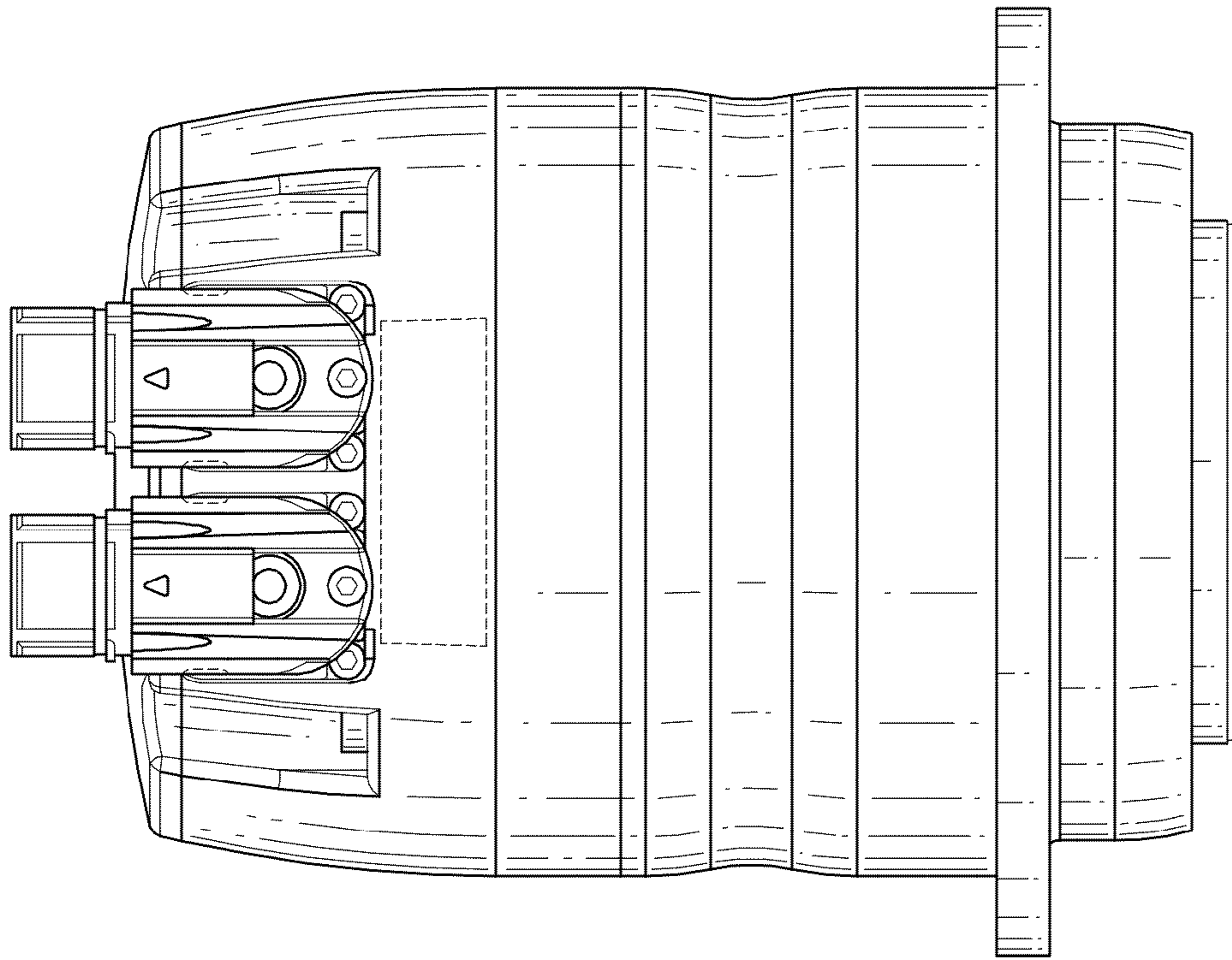


FIG. 3

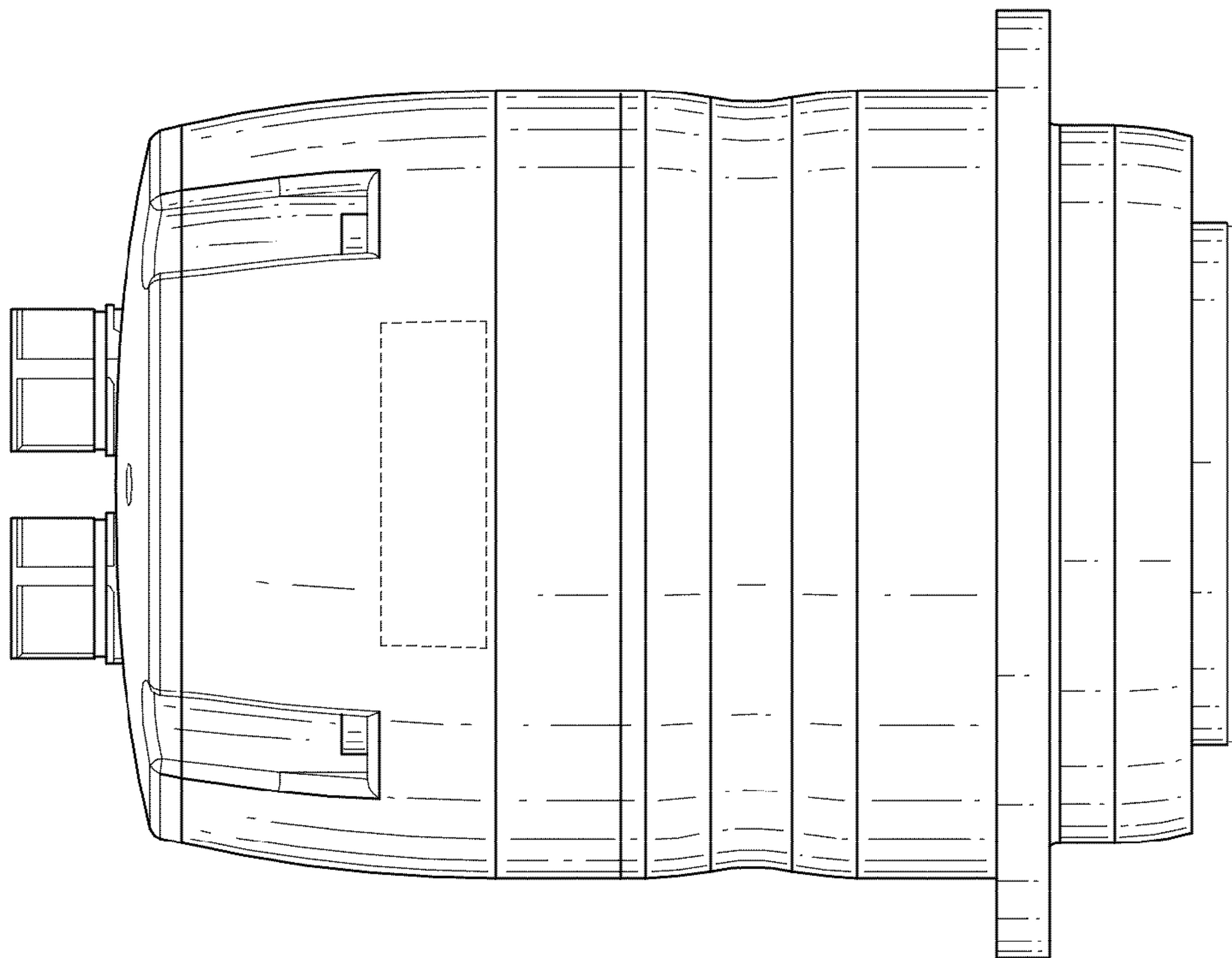


FIG. 4

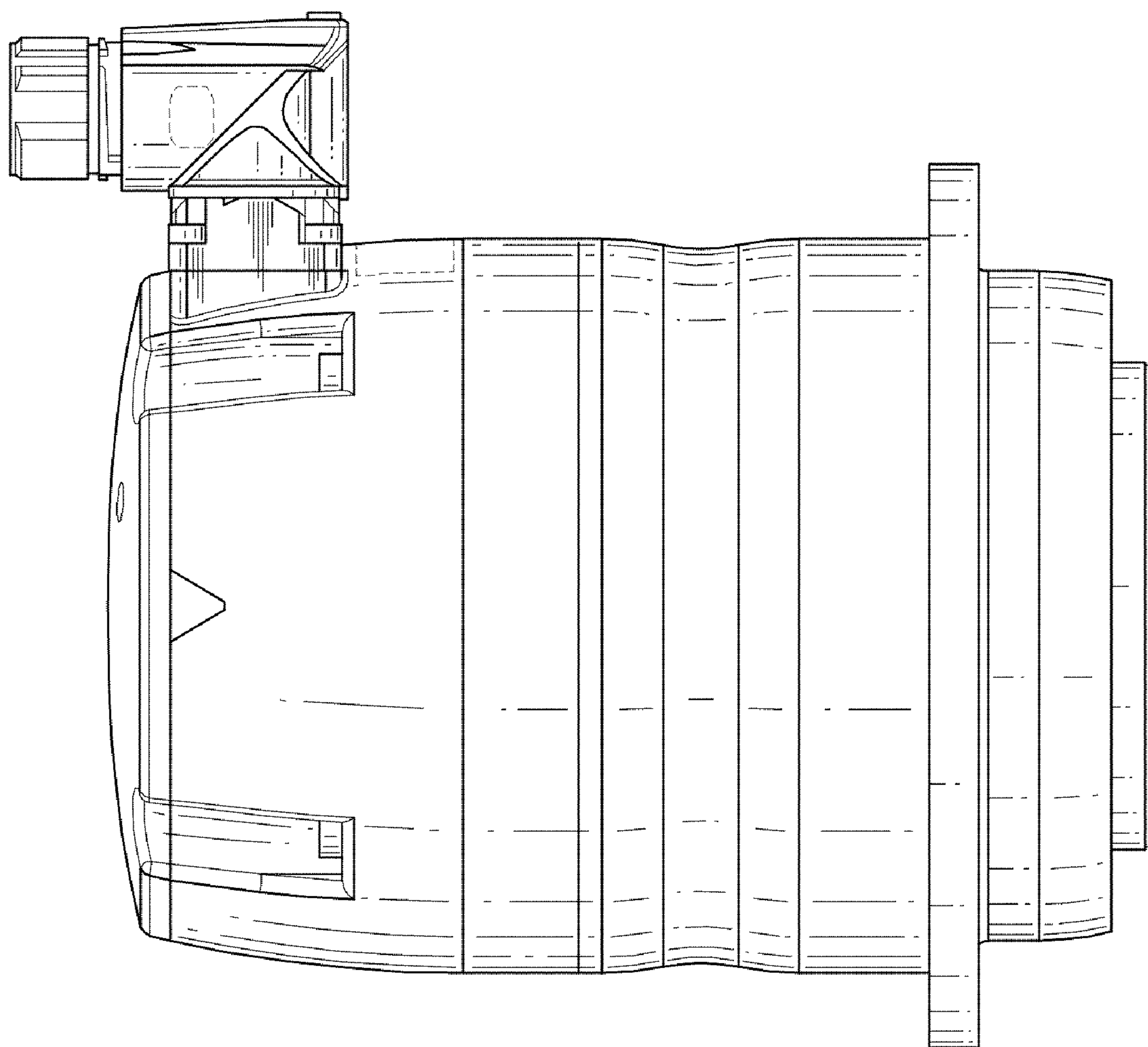


FIG. 5

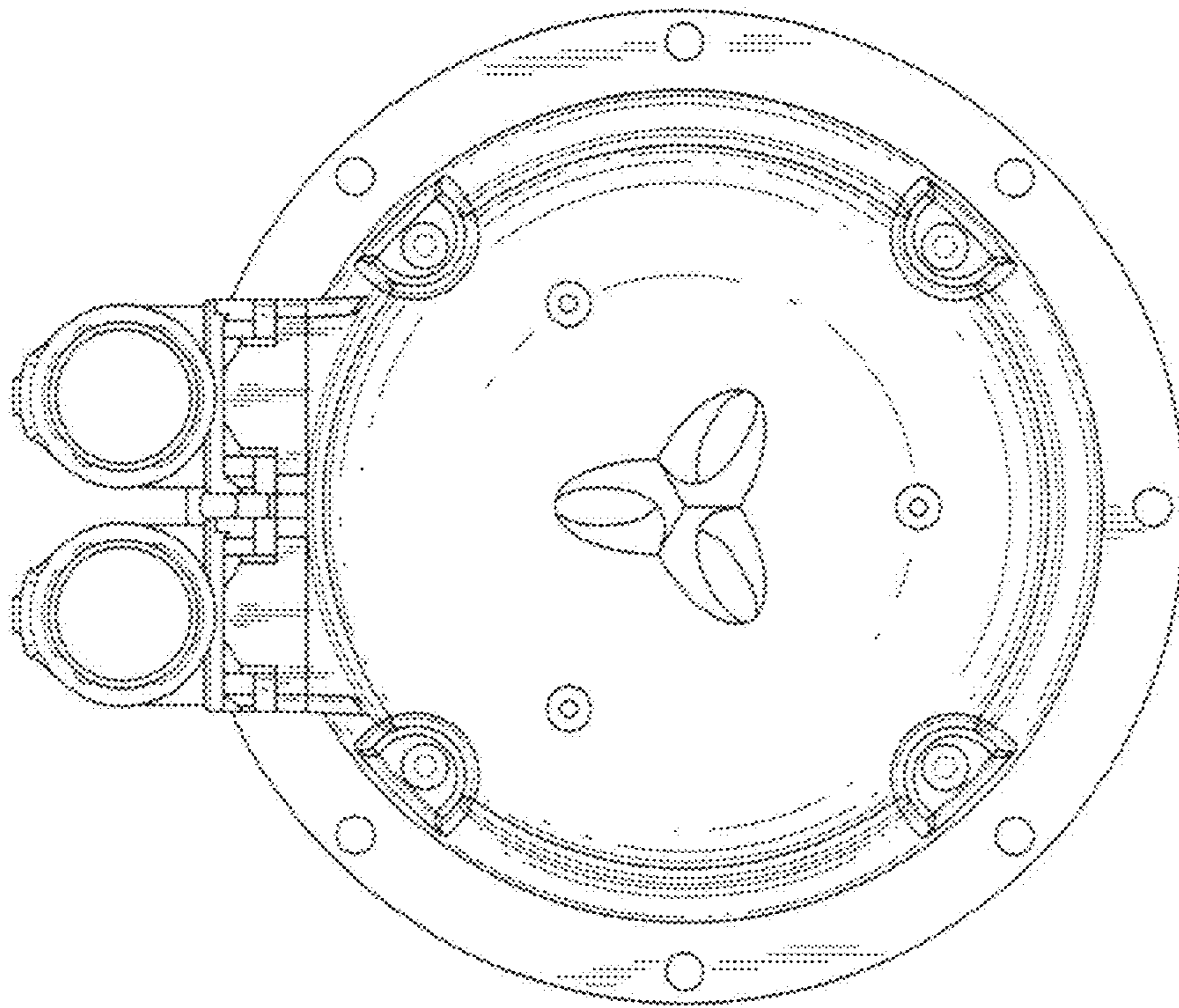


FIG. 7

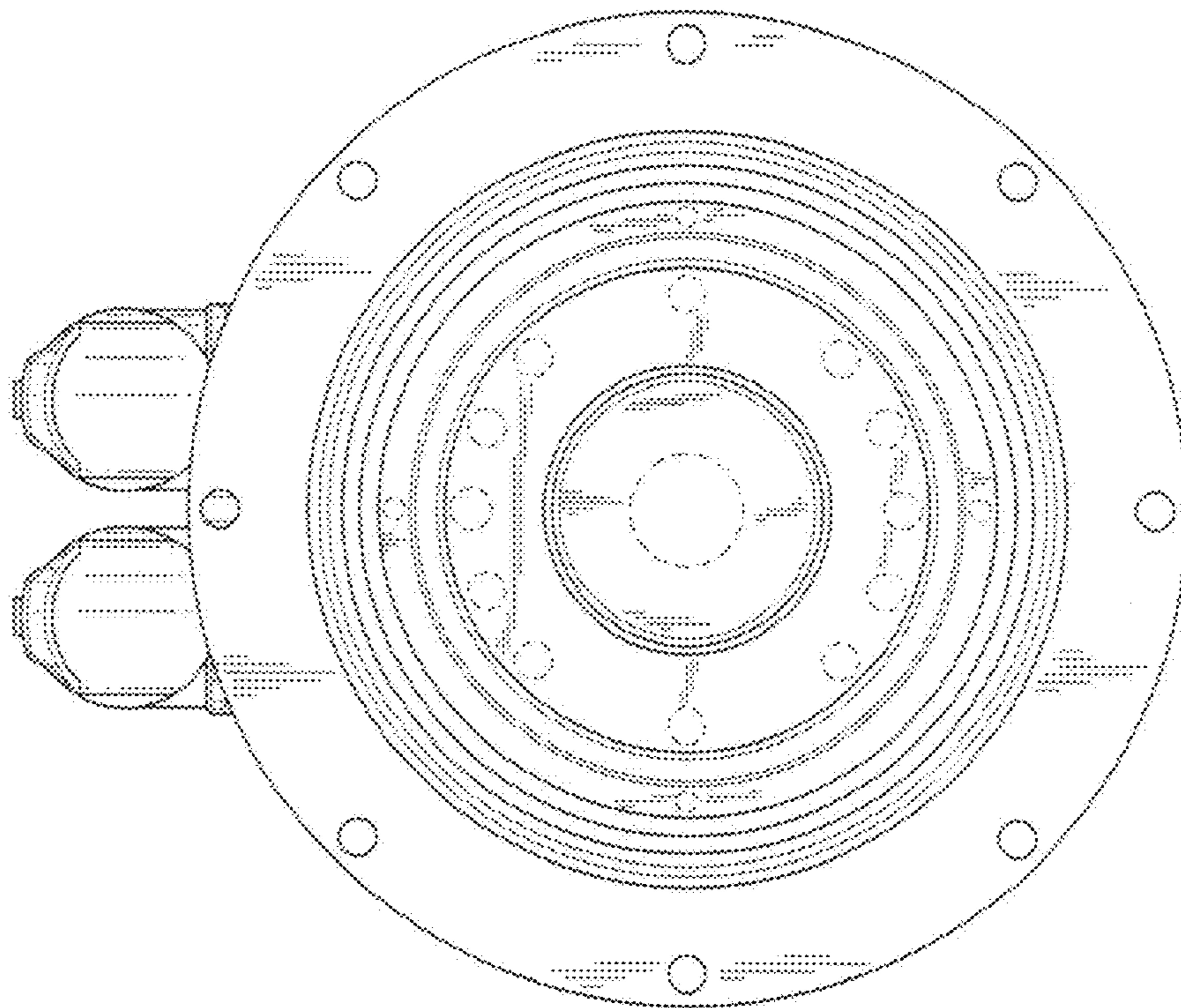


FIG. 6