



US00D604346S

(12) **United States Design Patent**
Chiang

(10) **Patent No.:** **US D604,346 S**

(45) **Date of Patent:** **** Nov. 17, 2009**

(54) **SPROCKET**

(75) Inventor: **Douglas Chiang**, Taichung Hsien (TW)

(73) Assignee: **Tien Hsin Industries Co., Ltd.**,
Taichung Hsien (TW)

(**) Term: **14 Years**

(21) Appl. No.: **29/284,958**

(22) Filed: **Sep. 19, 2007**

(51) **LOC (9) Cl.** **15-99**

(52) **U.S. Cl.** **D15/148; D12/123**

(58) **Field of Classification Search** D15/148,
D15/149; D12/123, 124; 474/78, 116, 152,
474/155, 158, 160, 163, 164, 165, 178, 903
See application file for complete search history.

(56) **References Cited**

U.S. PATENT DOCUMENTS

5,514,042	A *	5/1996	Liou	474/160
D399,222	S *	10/1998	Chang	D15/148
D432,054	S *	10/2000	Hanamura	D12/123
6,139,456	A *	10/2000	Lii et al.	474/152
6,340,338	B1 *	1/2002	Kamada	474/160
7,044,876	B2 *	5/2006	Kamada et al.	474/160
2005/0233850	A1 *	10/2005	Andel	474/152
2006/0154767	A1 *	7/2006	Kamada	474/160
2007/0135250	A1 *	6/2007	Kamada	474/160
2007/0265122	A1 *	11/2007	Emura et al.	474/152
2008/0058144	A1 *	3/2008	Oseto et al.	474/160
2008/0188336	A1 *	8/2008	Tokuyama	474/160

* cited by examiner

Primary Examiner—Sandra Snapp
Assistant Examiner—Patricia Palasik

(57) **CLAIM**

The ornamental design for a sprocket, as shown and described.

DESCRIPTION

FIG. 1 is a perspective view of a SPROCKET showing my new design.

FIG. 2 is a front elevational view thereof.

FIG. 3 is a rear elevational view thereof.

FIG. 4 is a left side view thereof;

FIG. 5 is a right side view thereof.

FIG. 6 is a top plan view thereof.

FIG. 7 is a bottom plan view thereof.

FIG. 8 is another perspective view of the present invention, where an enlarged detail of FIGS. 9–13 is indicated by a circle.

FIG. 9 is a front partial enlarged view of the section 9–13 in FIG. 8.

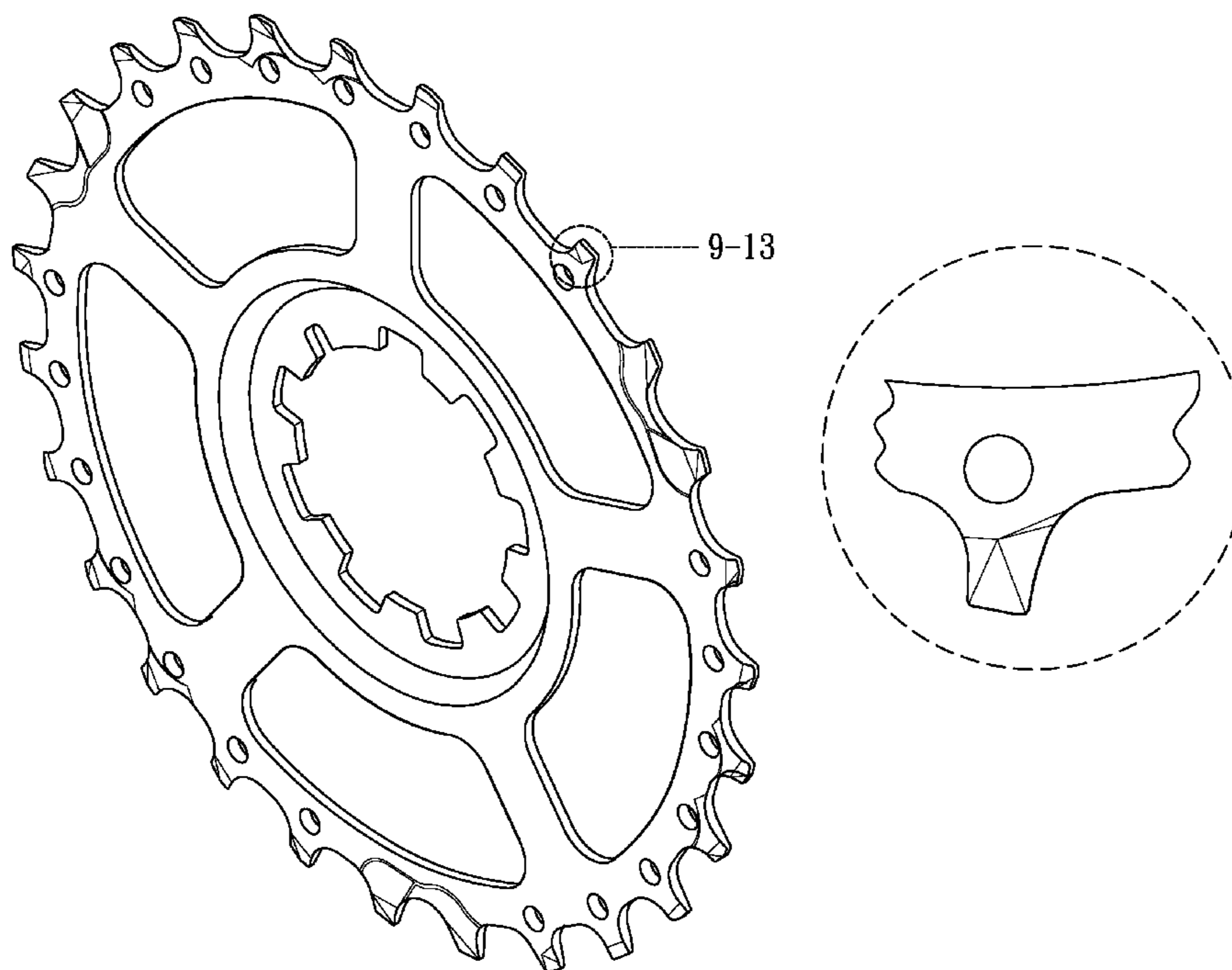
FIG. 10 is a top plan partial enlarged view of the section 9–13 in FIG. 8.

FIG. 11 is a left-side partial enlarged view of the section 9–13 in FIG. 8.

FIG. 12 is a rear partial enlarged view of the section 9–13 in FIG. 8; and,

FIG. 13 is a right-side partial enlarged view of the section 9–13 in FIG. 8.

1 Claim, 8 Drawing Sheets



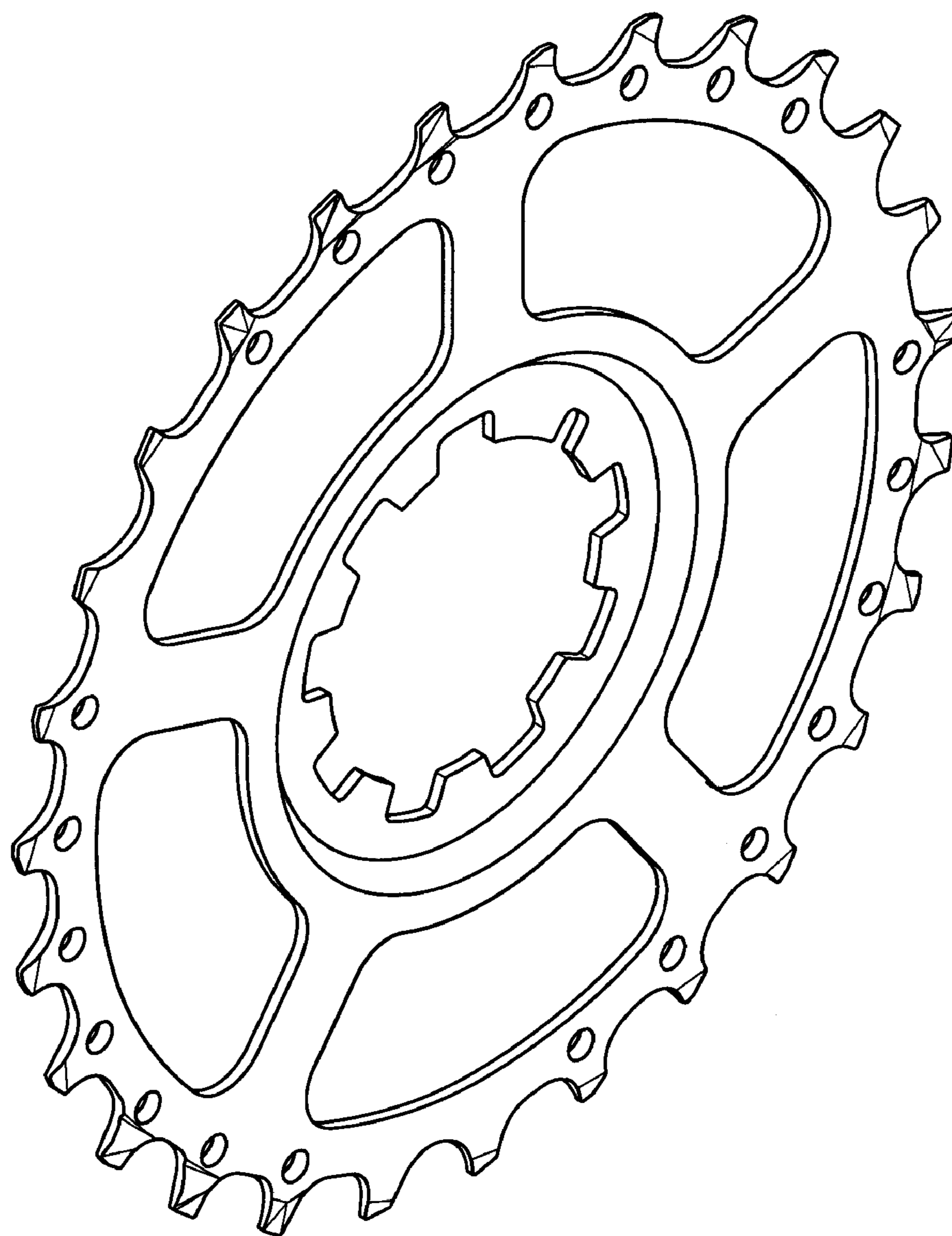


FIG. 1

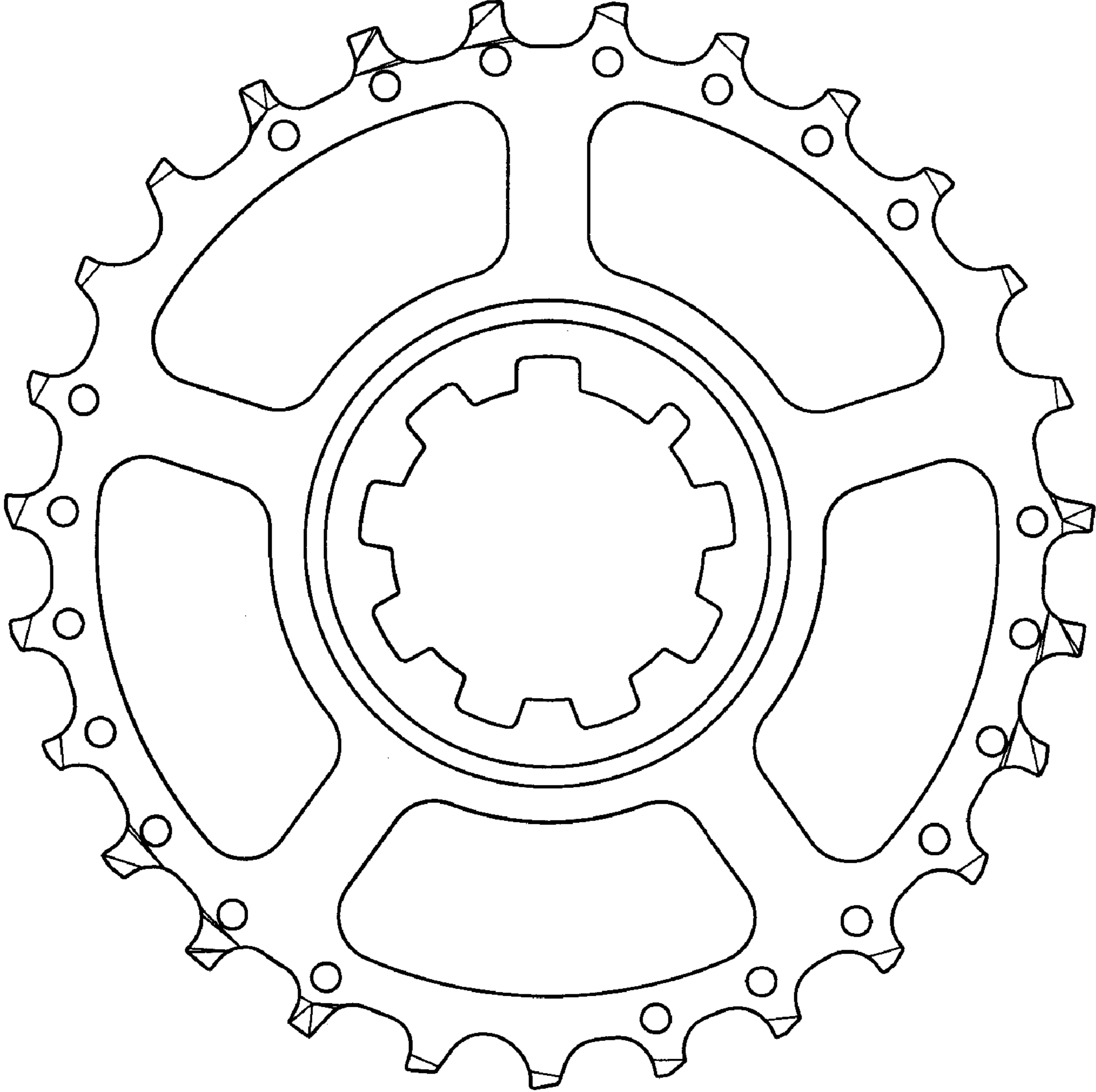


FIG. 2

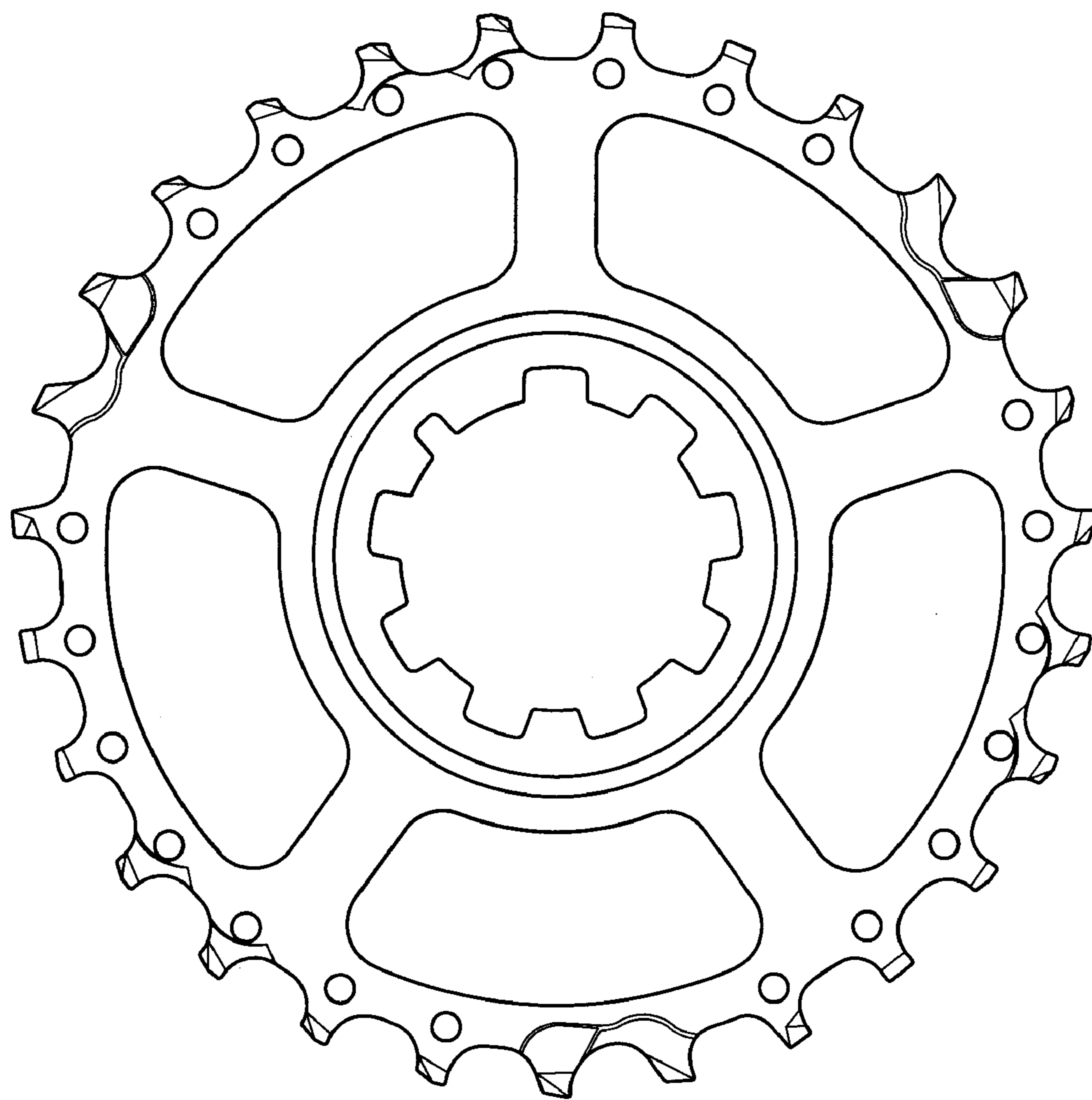


FIG. 3



FIG. 4

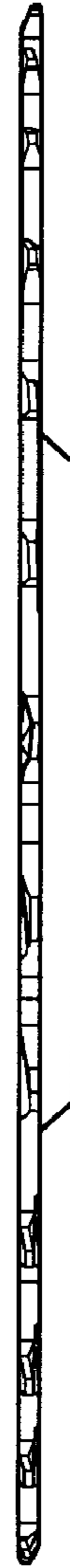


FIG. 5



FIG. 6

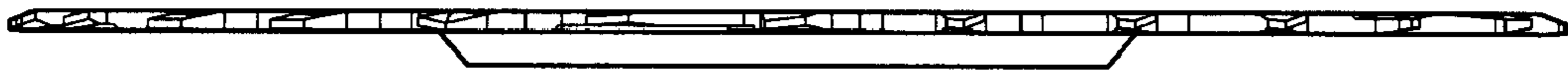


FIG. 7

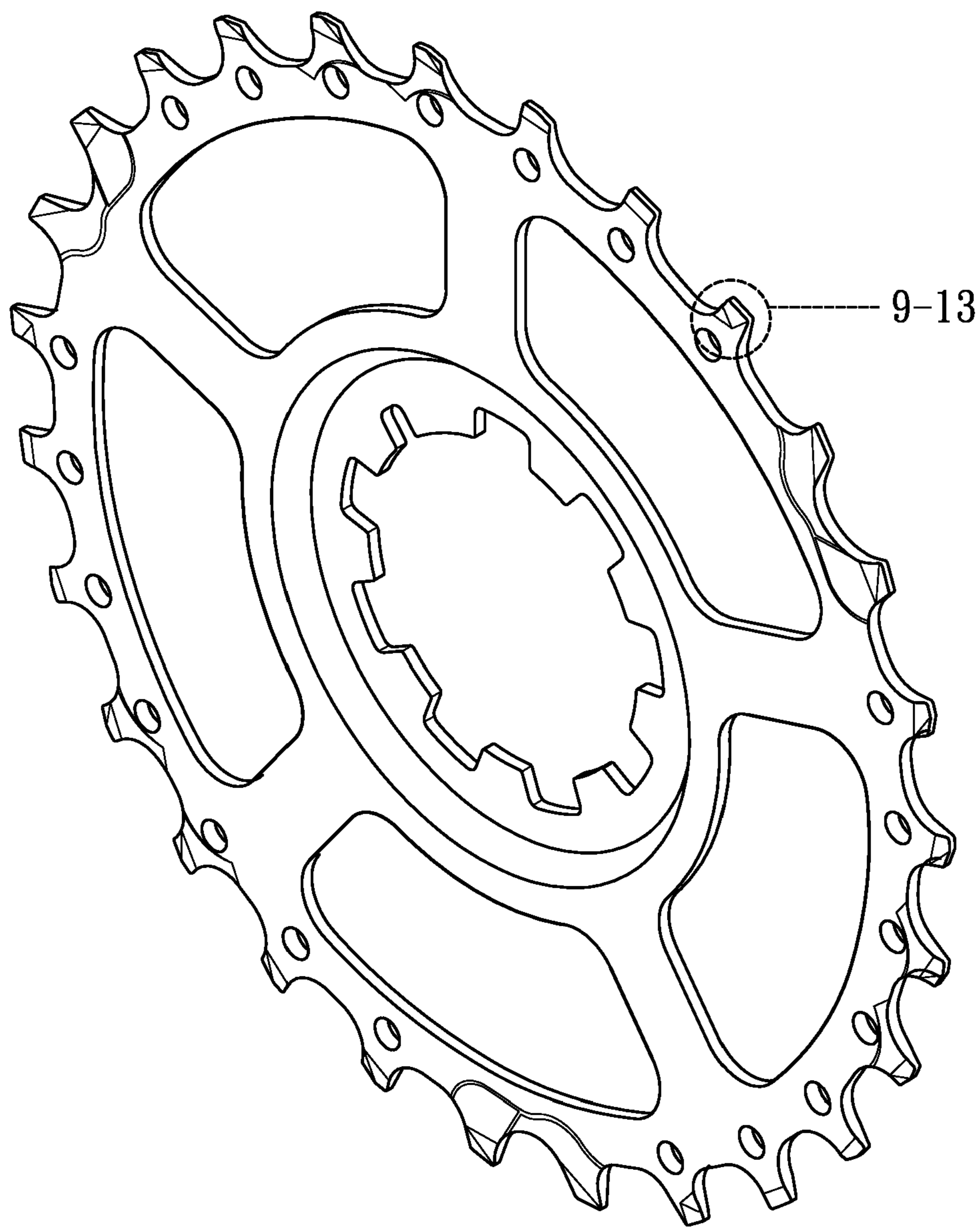


FIG. 8

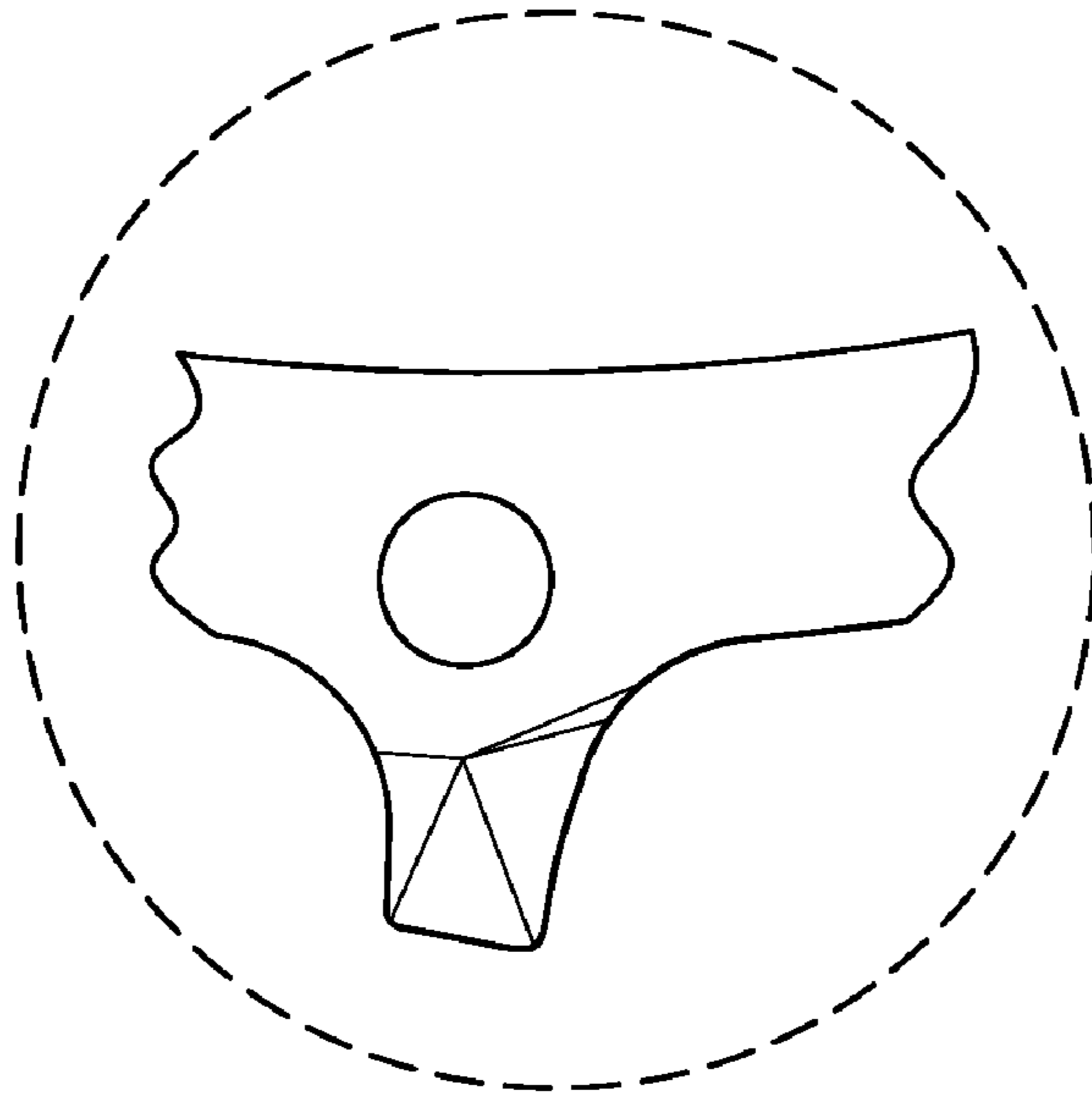


FIG. 9

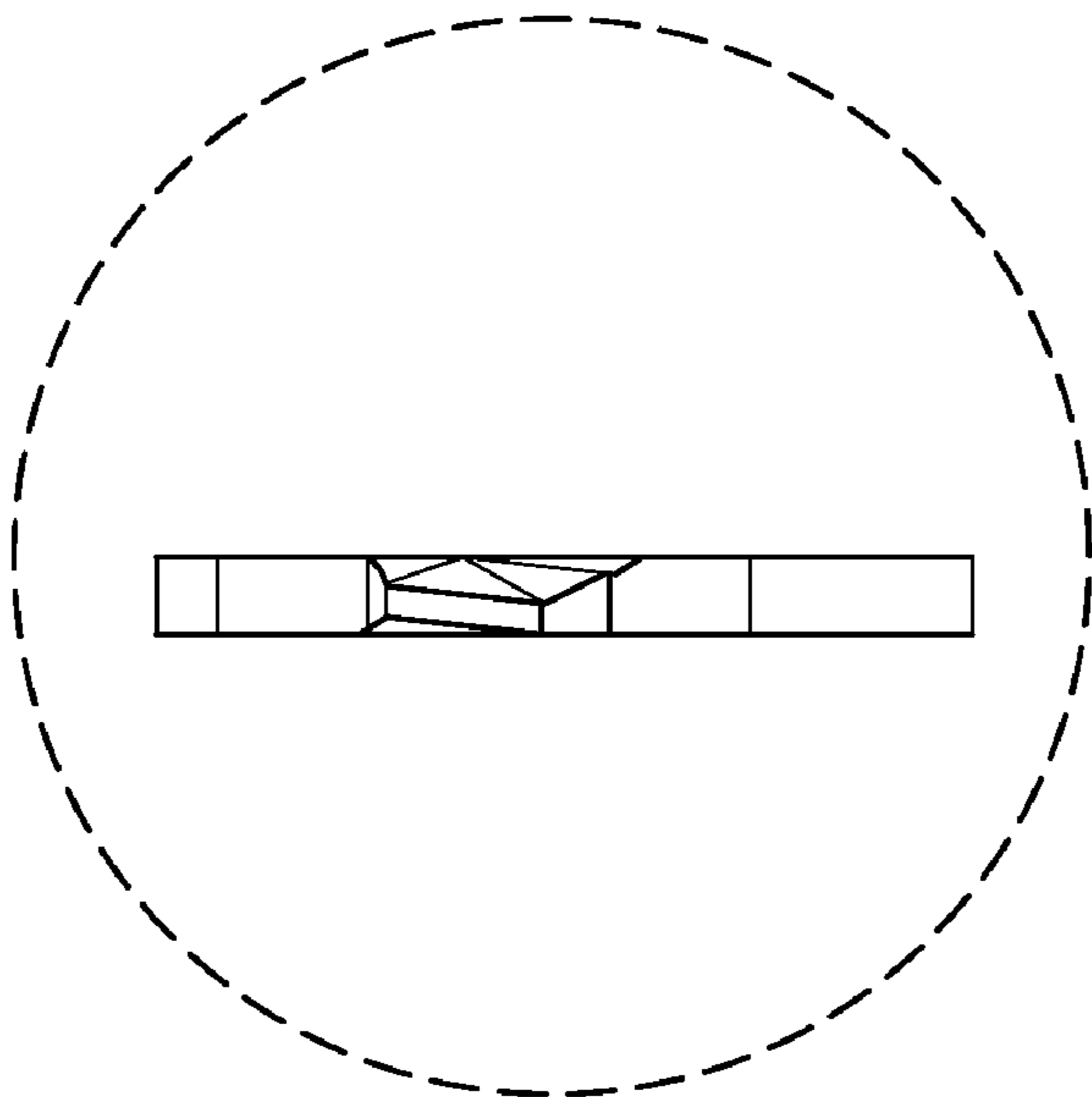


FIG. 10

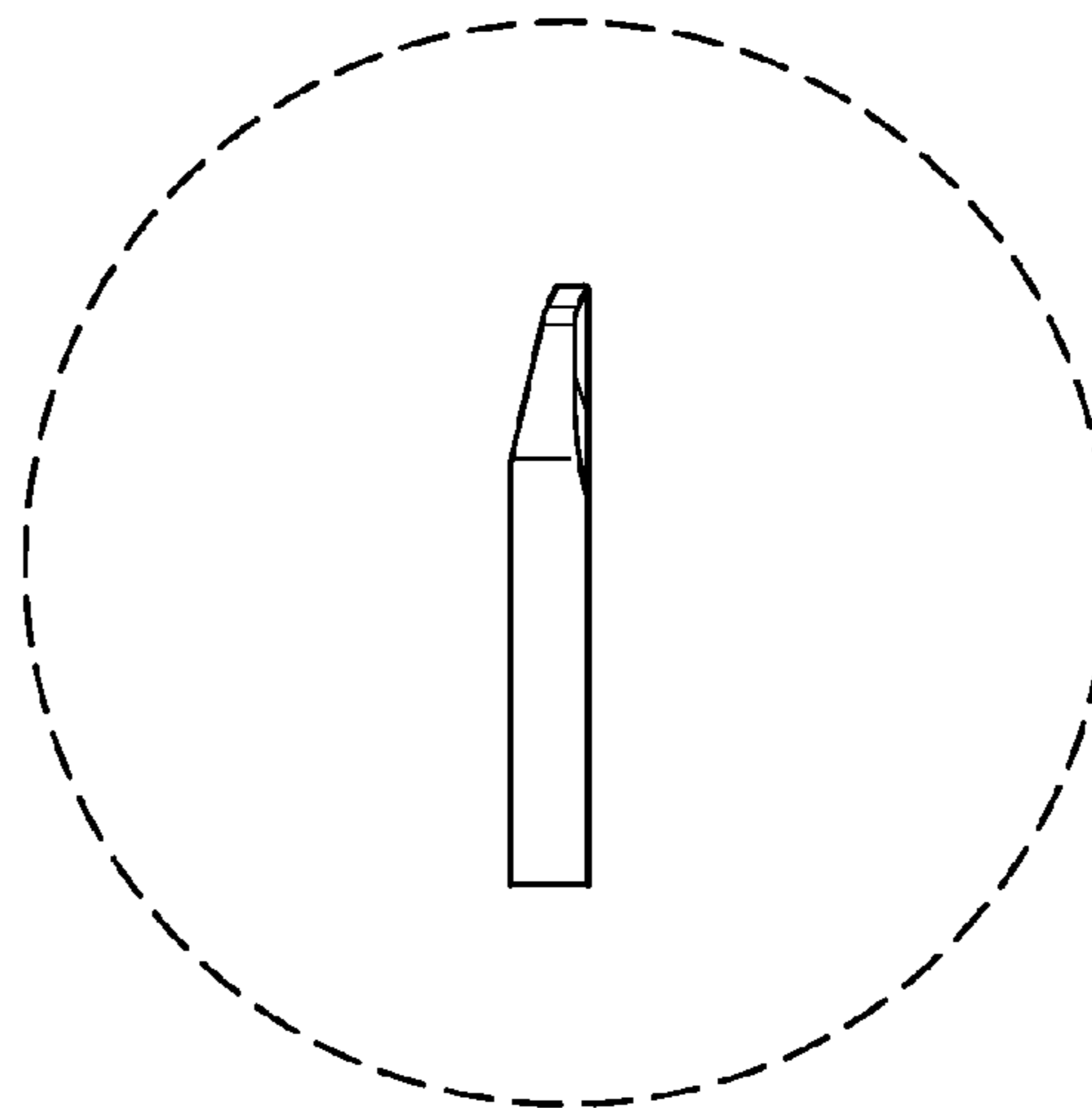


FIG. 11

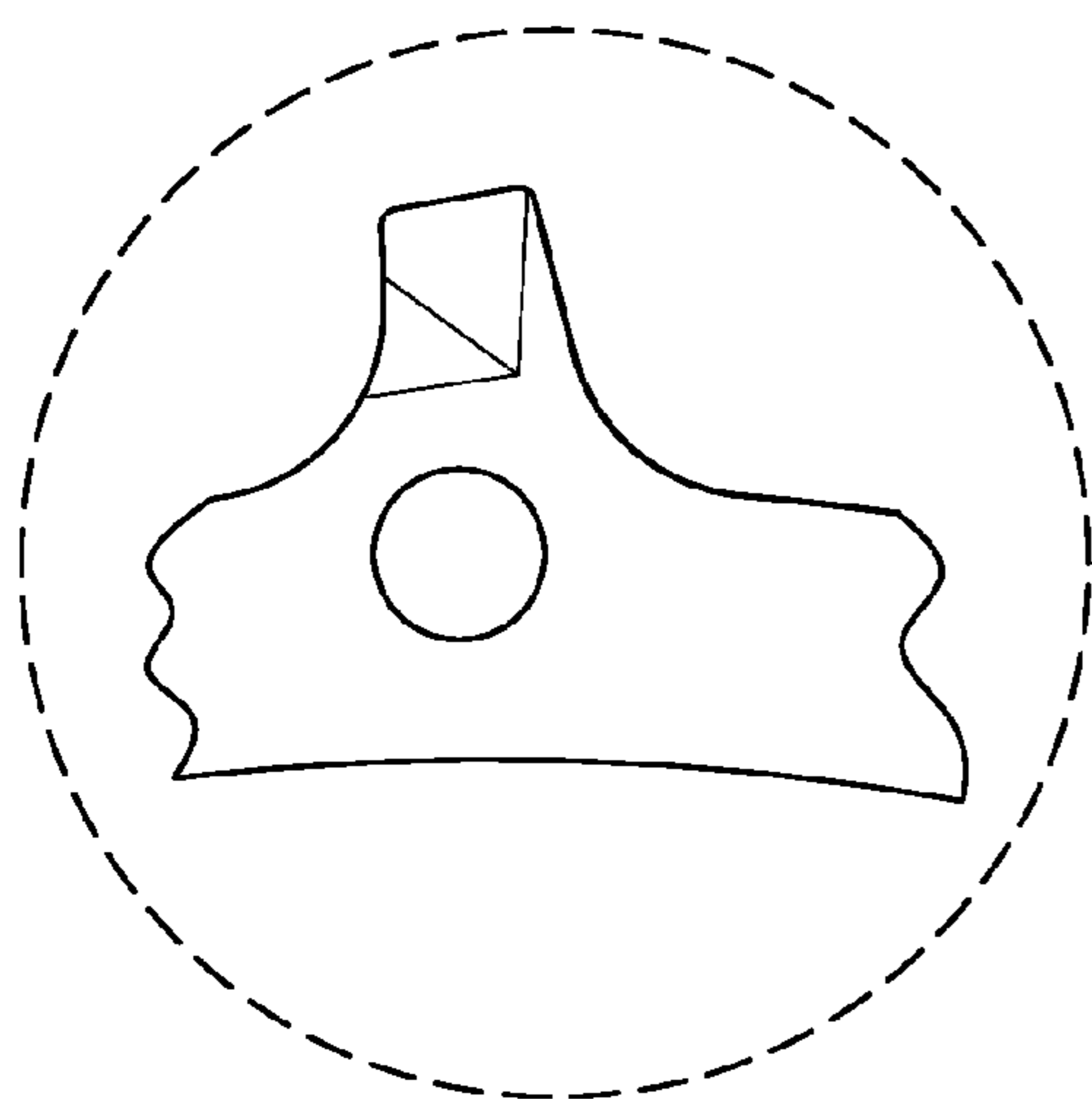


FIG. 12

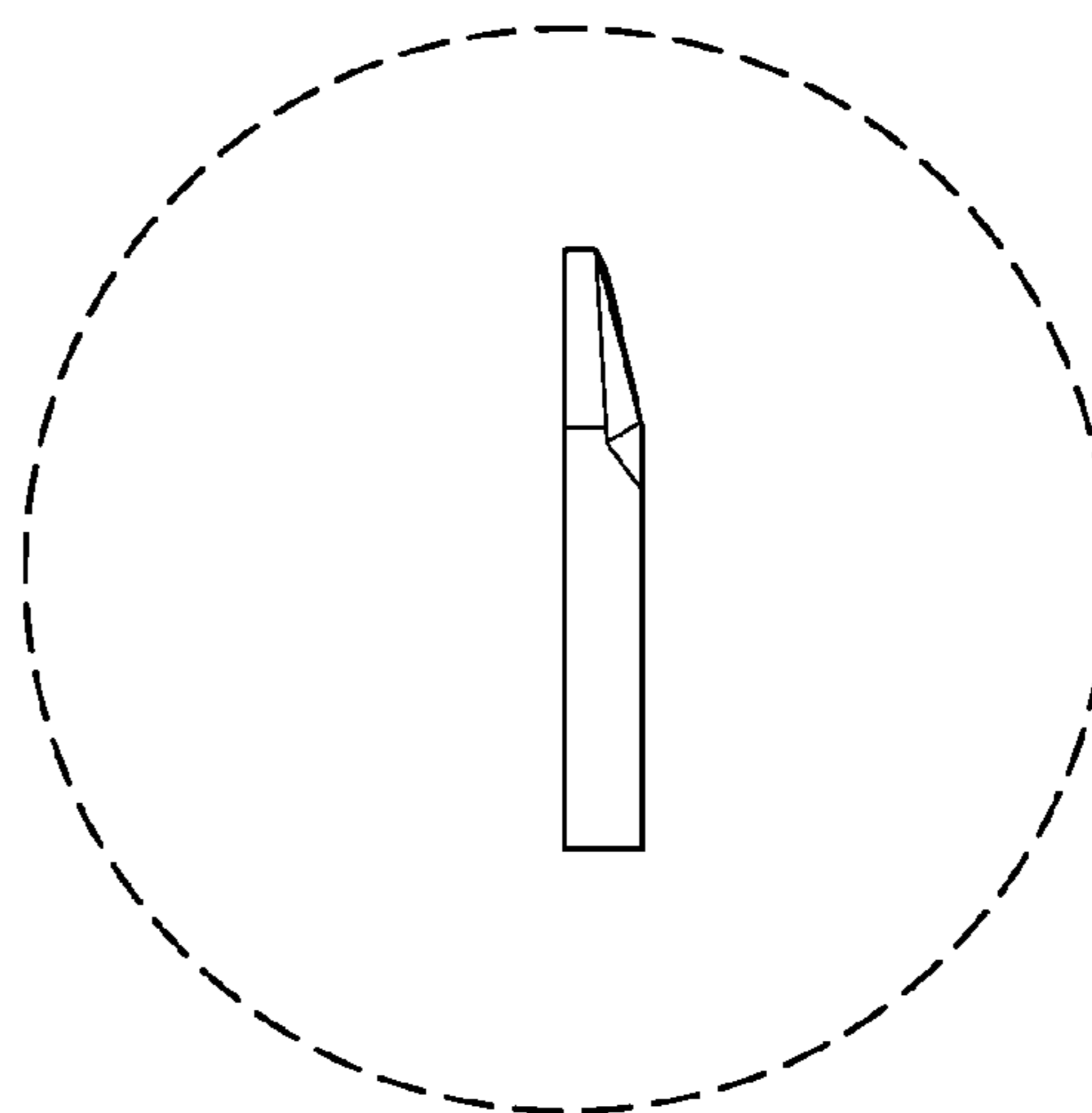


FIG. 13