



US00D604345S

(12) **United States Design Patent**  
**Camp et al.**

(10) **Patent No.:** **US D604,345 S**

(45) **Date of Patent:** **\*\* Nov. 17, 2009**

(54) **ADJUSTABLE GUIDE**

(75) Inventors: **Terry L. Camp**, Wyoming, MI (US);  
**Leland T. Perez**, Alto, MI (US); **Jeffery S. Folkert**, Hudsonville, MI (US)

(73) Assignee: **Carter Products Company, Inc.**, Grand Rapids, MI (US)

(\*\*) Term: **14 Years**

(21) Appl. No.: **29/281,274**

(22) Filed: **Jun. 20, 2007**

(51) **LOC (9) Cl.** ..... **15-09**

(52) **U.S. Cl.** ..... **D15/134; D8/355**

(58) **Field of Classification Search** ..... D10/46;  
D15/133-134, 138; 83/168, 820, 821, 788;  
D8/71, 355

See application file for complete search history.

(56) **References Cited**

**U.S. PATENT DOCUMENTS**

6,412,380 B2 \* 7/2002 Belfiglio ..... 83/168

\* cited by examiner

*Primary Examiner*—Antoine D Davis

(74) *Attorney, Agent, or Firm*—Price, Heneveld, Cooper, DeWitt & Litton, LLP

(57) **CLAIM**

We claim the ornamental design for an adjustable guide, as shown and described.

**DESCRIPTION**

FIG. 1 is a front and top perspective view of an adjustable guide in accordance with one embodiment of the present invention;

FIG. 2 is a top and back perspective view of an adjustable guide in accordance with one embodiment of the present invention;

FIG. 3 is a top plan view of an adjustable guide in accordance with one embodiment of the present invention;

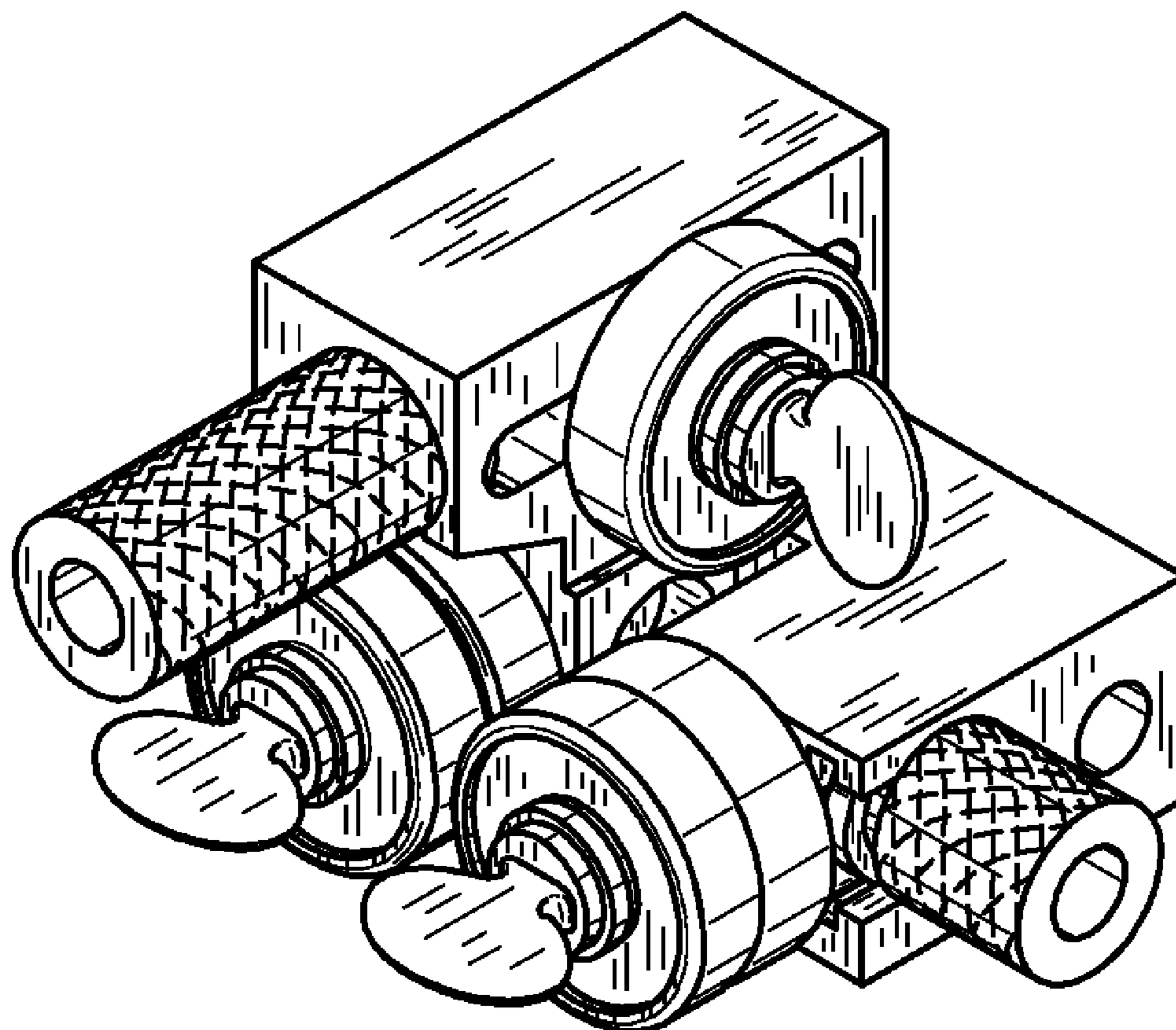
FIG. 4 is a side plan view of an adjustable guide in accordance with one embodiment of the present invention;

FIG. 5 is a front plan view of an adjustable guide in accordance with one embodiment of the present invention;

FIG. 6 is a side plan view of an adjustable guide in accordance with one embodiment of the present invention; and,

FIG. 7 is a bottom plan view of an adjustable guide in accordance with one embodiment of the present invention.

**1 Claim, 2 Drawing Sheets**



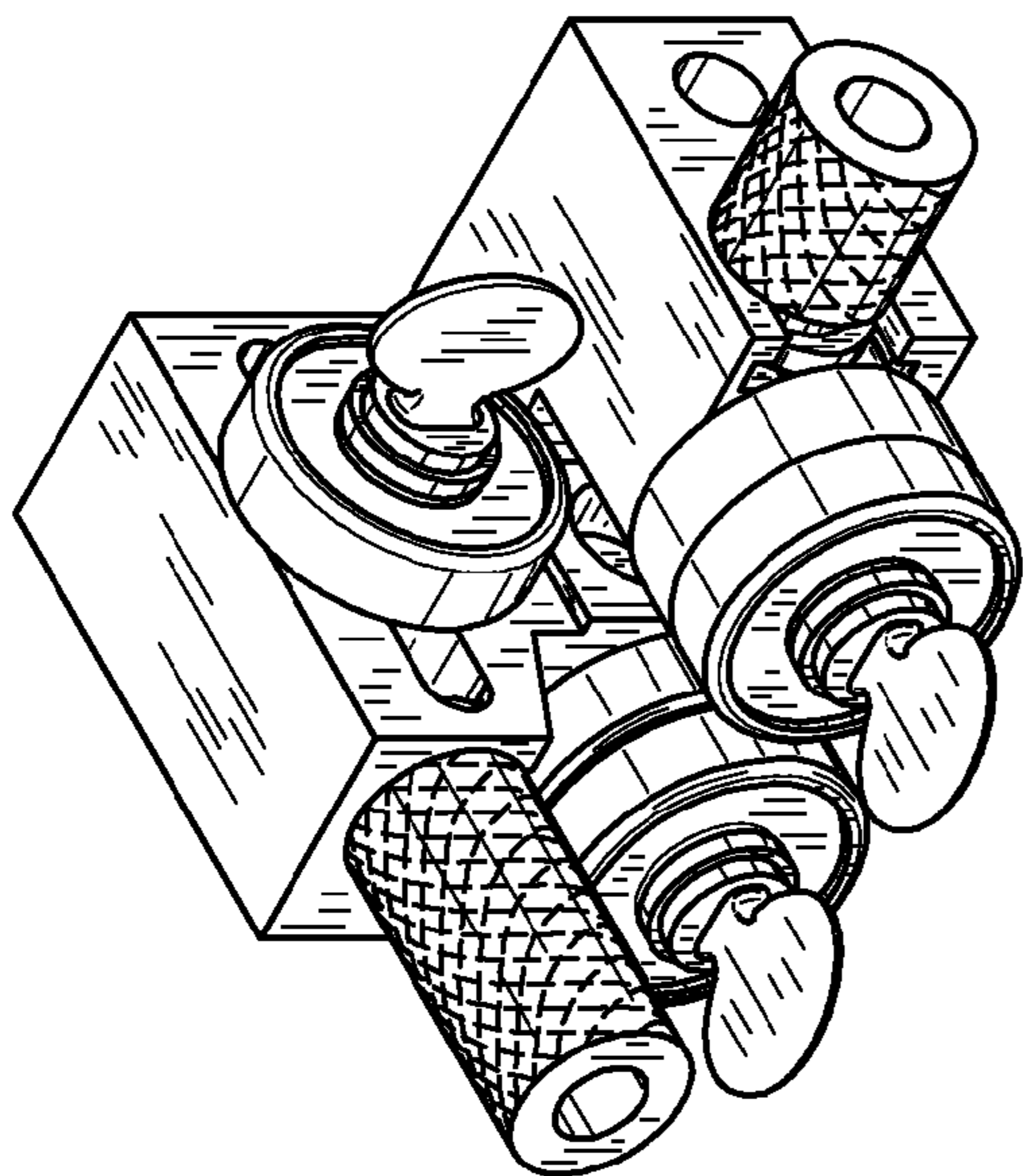


FIG. 1

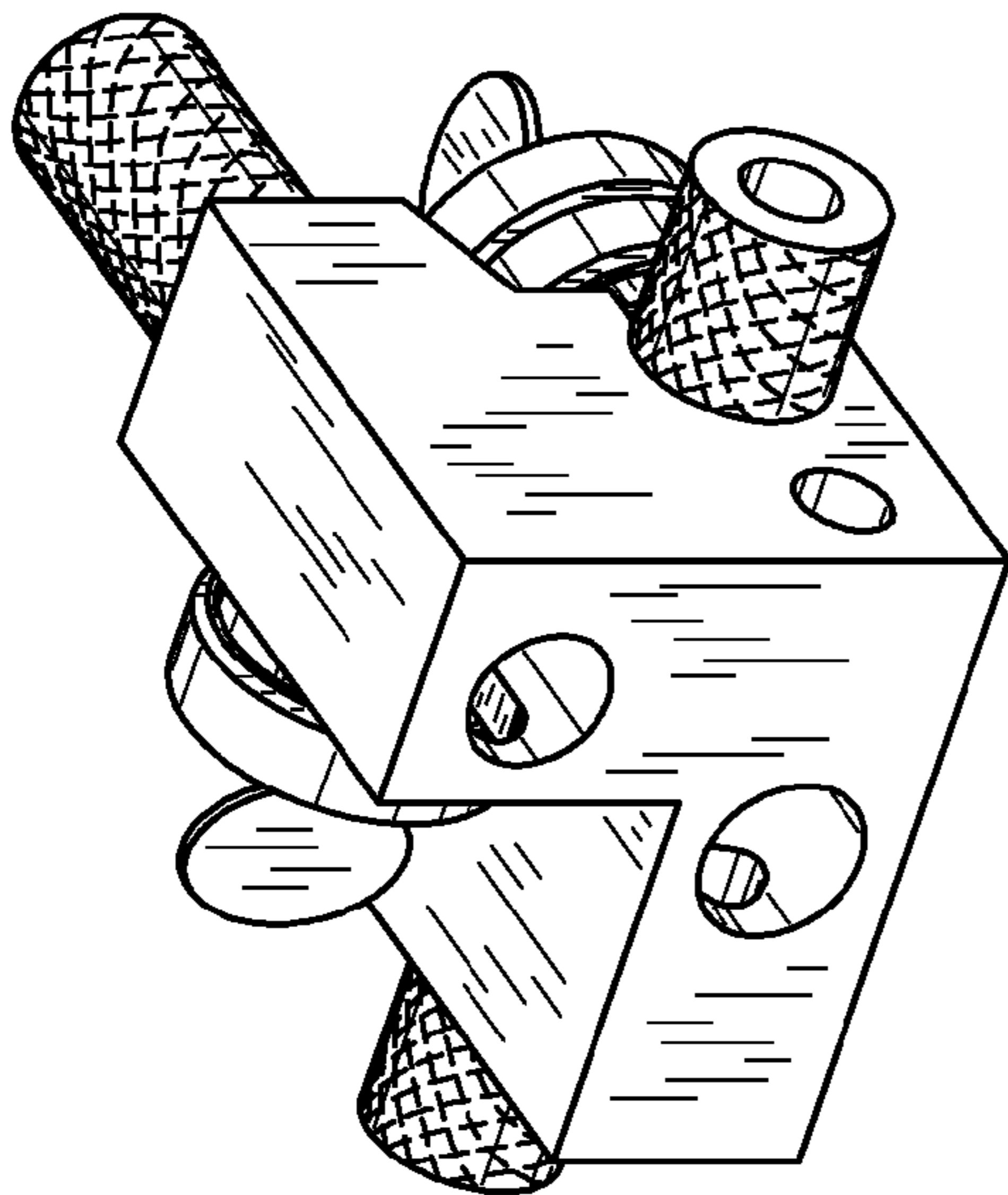


FIG. 2

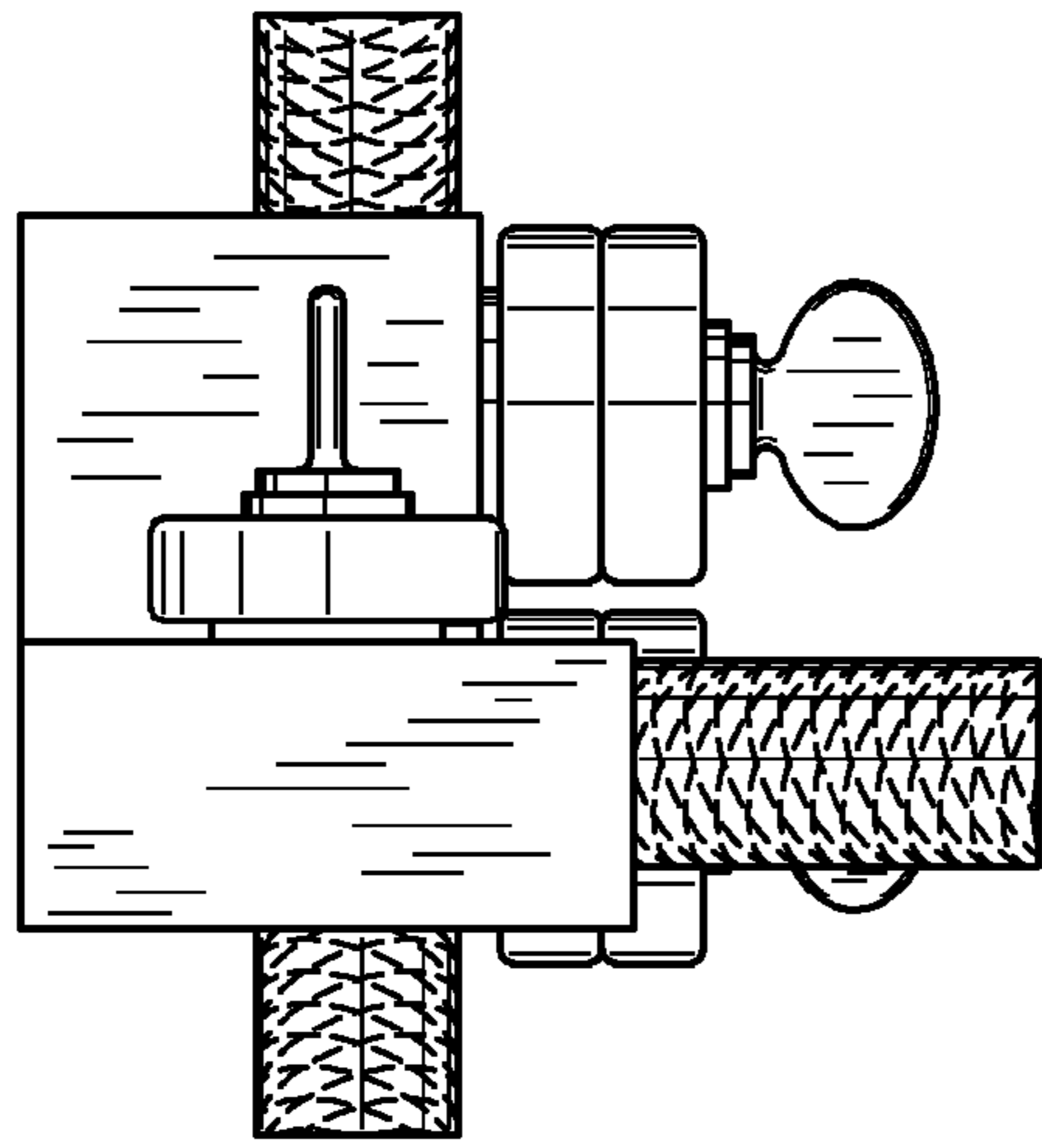


FIG. 3

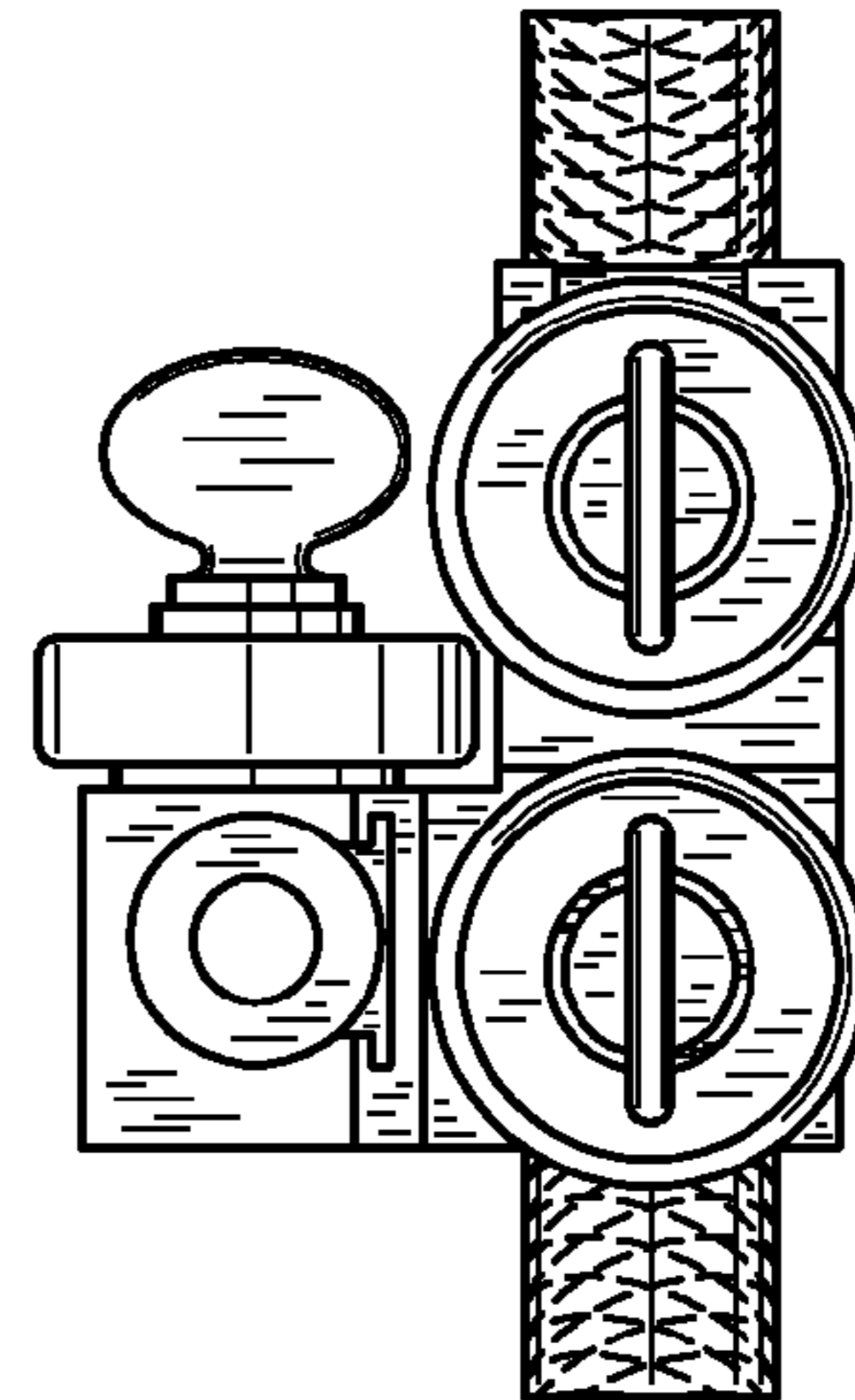


FIG. 4

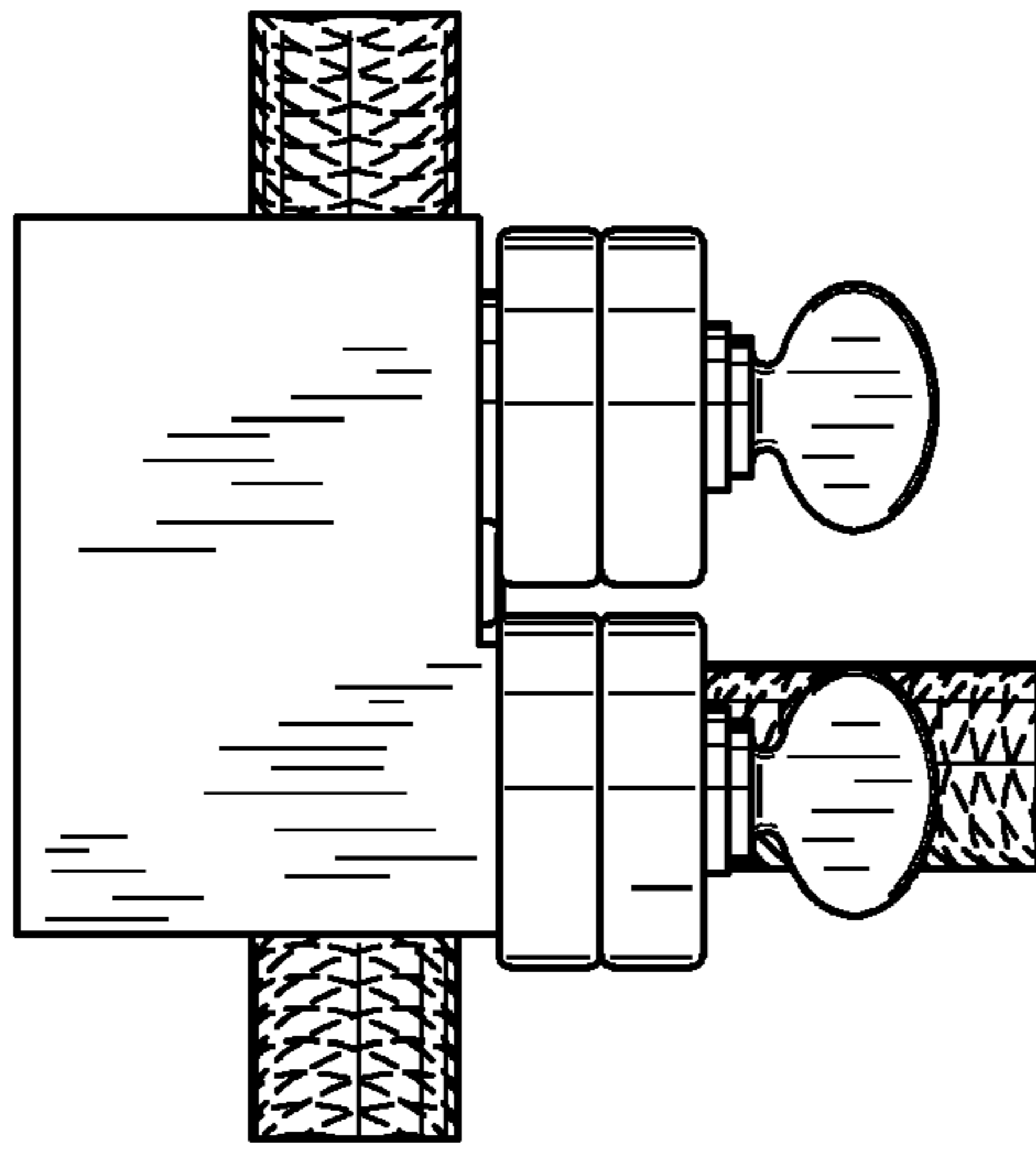


FIG. 7

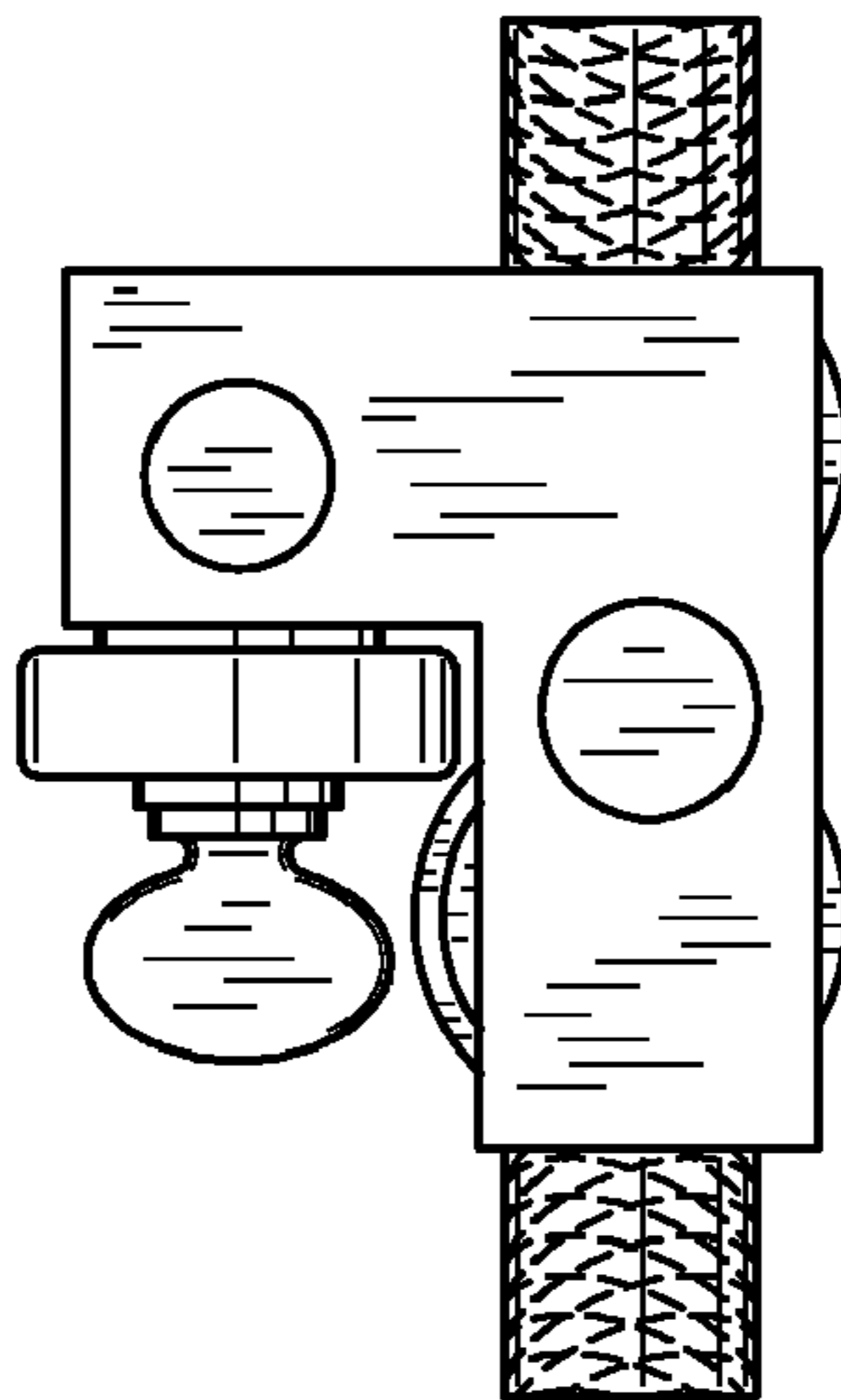


FIG. 6

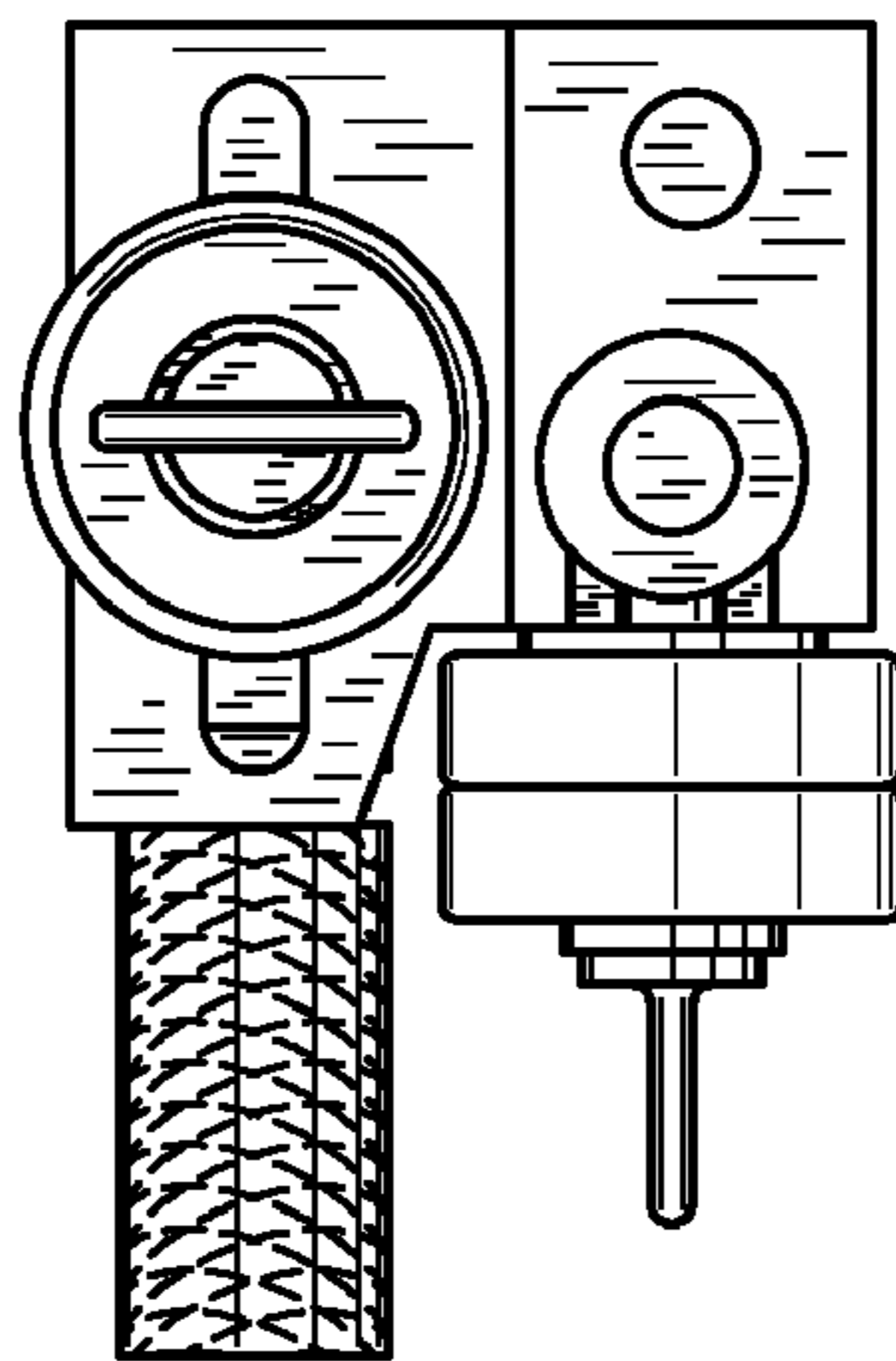


FIG. 5