



US00D604344S

(12) **United States Design Patent**
Weingart et al.

(10) **Patent No.:** **US D604,344 S**

(45) **Date of Patent:** **** Nov. 17, 2009**

(54) **ABRASIVE SAW**

D445,118 S * 7/2001 Zwicker et al. D15/124
D542,311 S * 5/2007 Inaba et al. D15/127

(75) Inventors: **John L. Weingart**, Libertyville, IL (US);
Lawrence L. Freson, Mount Prospect,
IL (US)

* cited by examiner

Primary Examiner—Sandra Snapp
Assistant Examiner—Patricia Palasik

(73) Assignee: **Illinois Tool Works Inc.**, Glenview, IL
(US)

(74) *Attorney, Agent, or Firm*—Levenfeld Pearlstein, LLC

(**) Term: **14 Years**

(57) **CLAIM**

(21) Appl. No.: **29/336,365**

The ornamental design for an abrasive saw, as shown and described.

(22) Filed: **May 1, 2009**

DESCRIPTION

(51) **LOC (9) Cl.** **15-09**

FIG. 1 is a front, top, right hand side perspective view of an abrasive saw show our new design;

(52) **U.S. Cl.** **D15/127; D15/124**

FIG. 2 is a front view thereof;

(58) **Field of Classification Search** D15/124,
D15/125, 126, 127, 133, 134; 51/34 C, 37,
51/38; 83/483, 485, 523, 613, 859; 135/12,
135/13.01, 14, 23.01; 451/124, 130, 150,
451/158, 160

FIG. 3 is a top view thereof;

See application file for complete search history.

FIG. 4 is a side view thereof as seen from the left hand side of FIG. 2;

FIG. 5 is a side view thereof as seen from the right hand side of FIG. 2;

(56) **References Cited**

U.S. PATENT DOCUMENTS

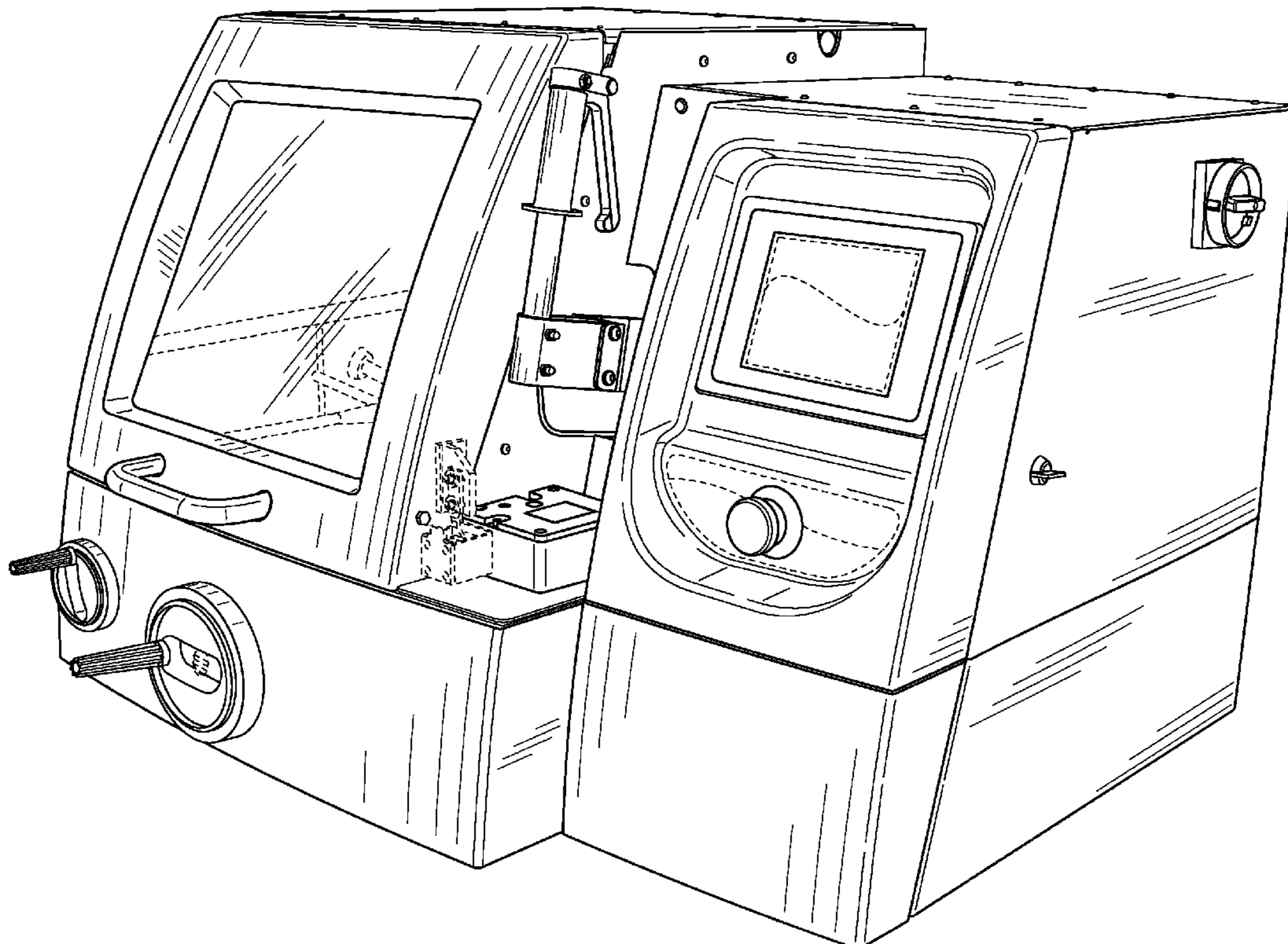
D320,607 S * 10/1991 Smith et al. D15/126
D323,661 S * 2/1992 Zwicker D15/124
D330,032 S * 10/1992 Cromer et al. D15/127
D386,504 S * 11/1997 Dieck D15/124
D419,165 S * 1/2000 Muller et al. D15/127

FIG. 6 is a rear view thereof; and,

FIG. 7 is a bottom view thereof.

The broken lines in the drawings depict unclaimed environmental subject matter.

1 Claim, 7 Drawing Sheets



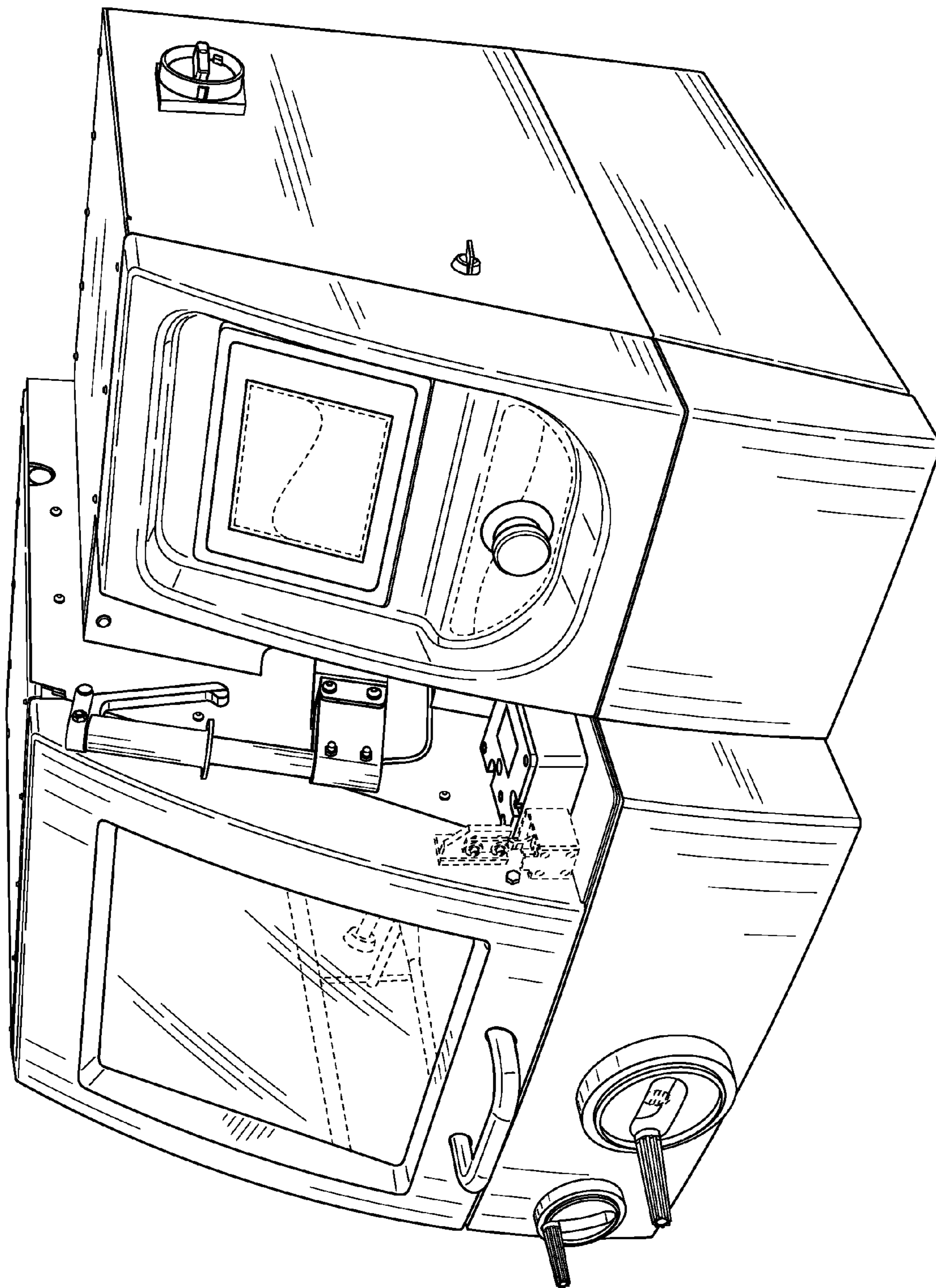


FIG. 1

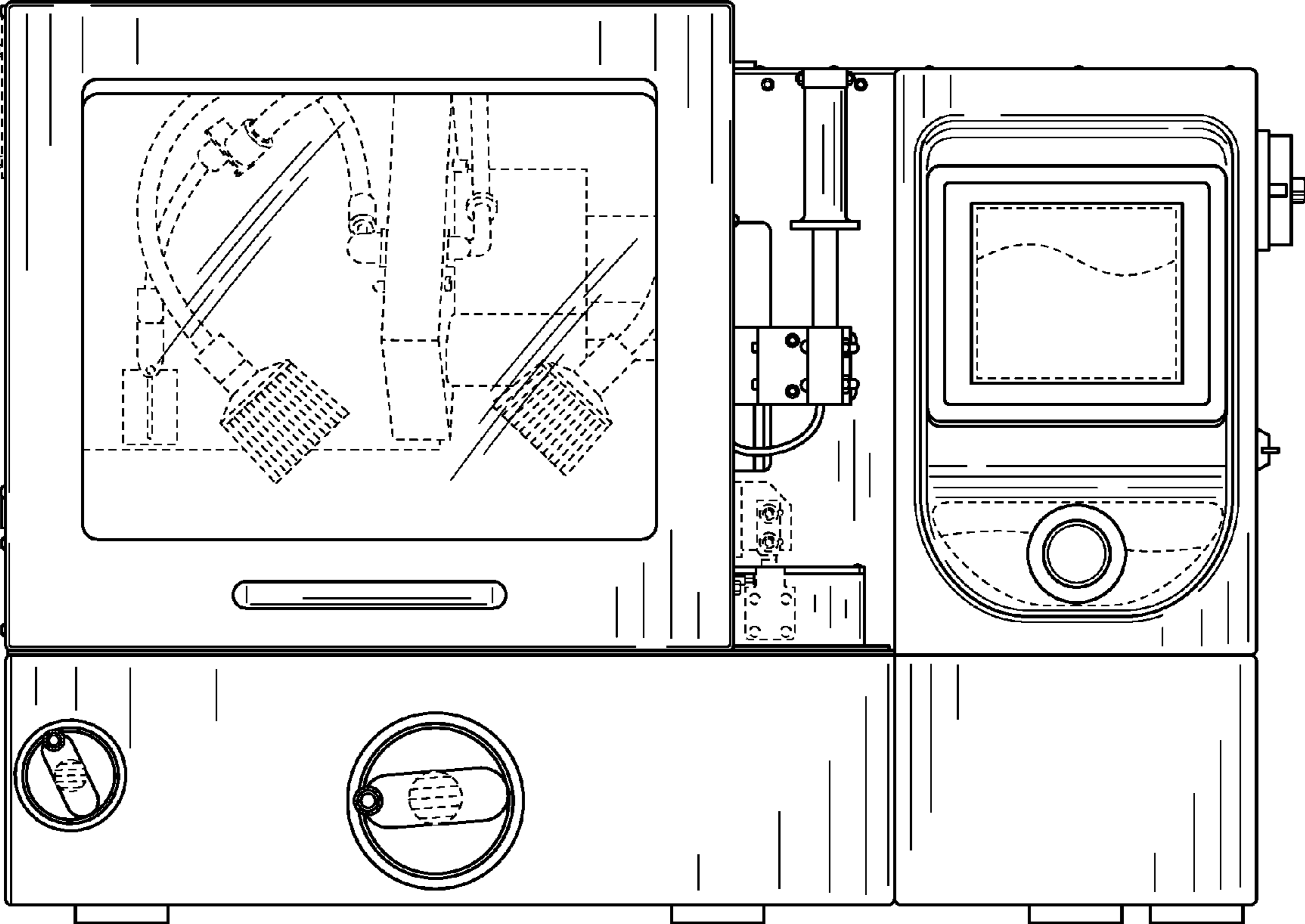


FIG. 2

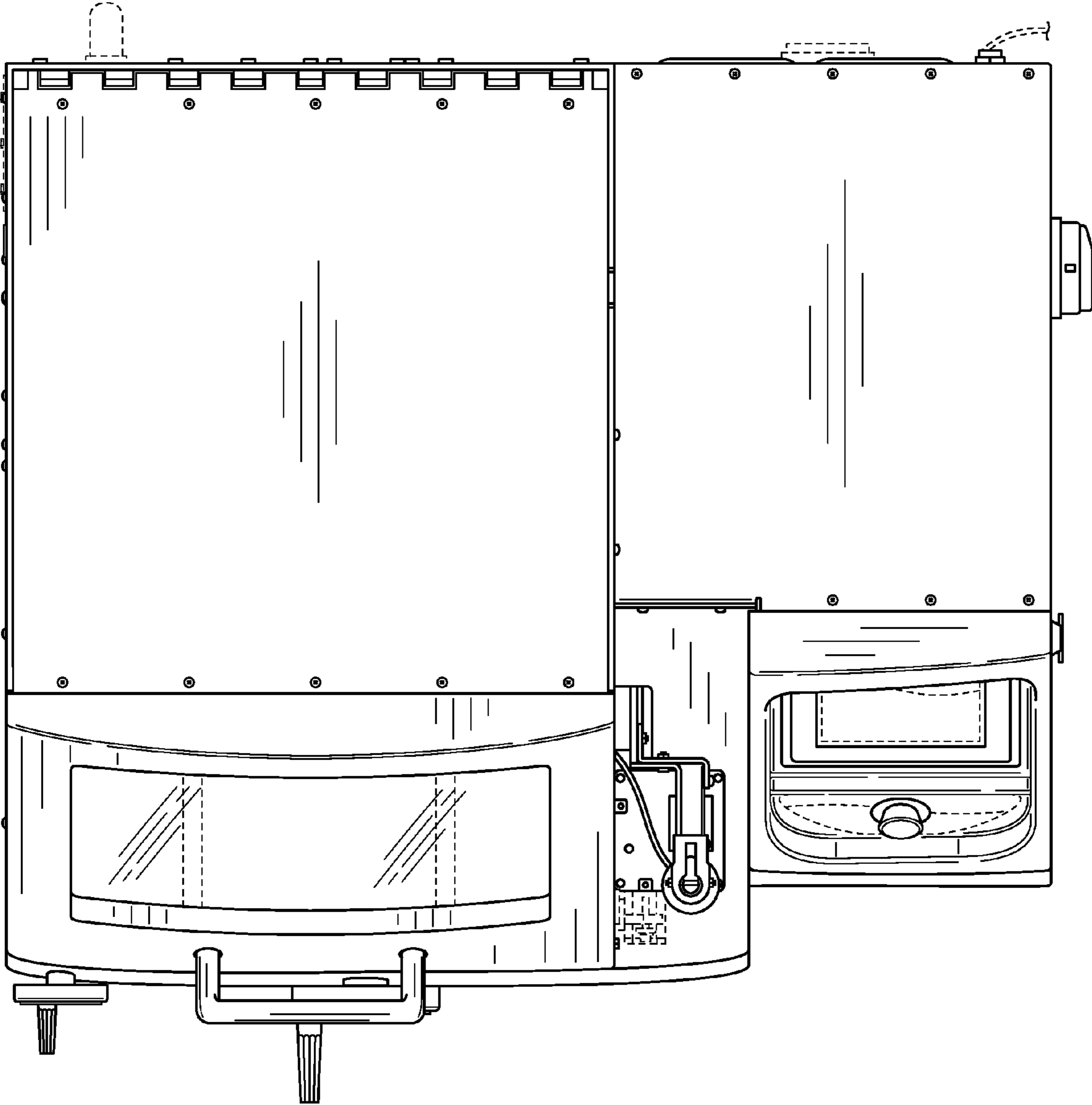


FIG. 3

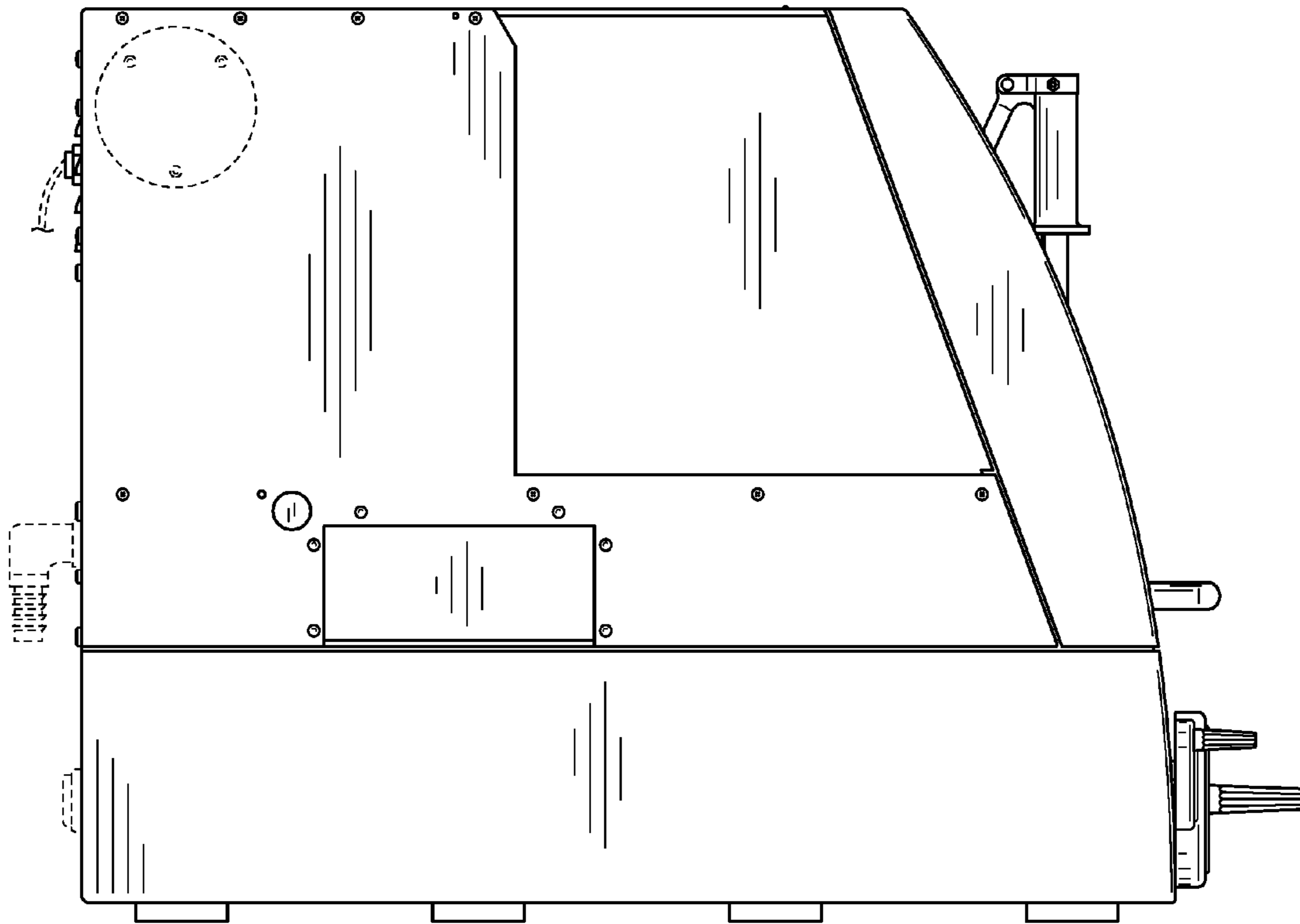


FIG. 4

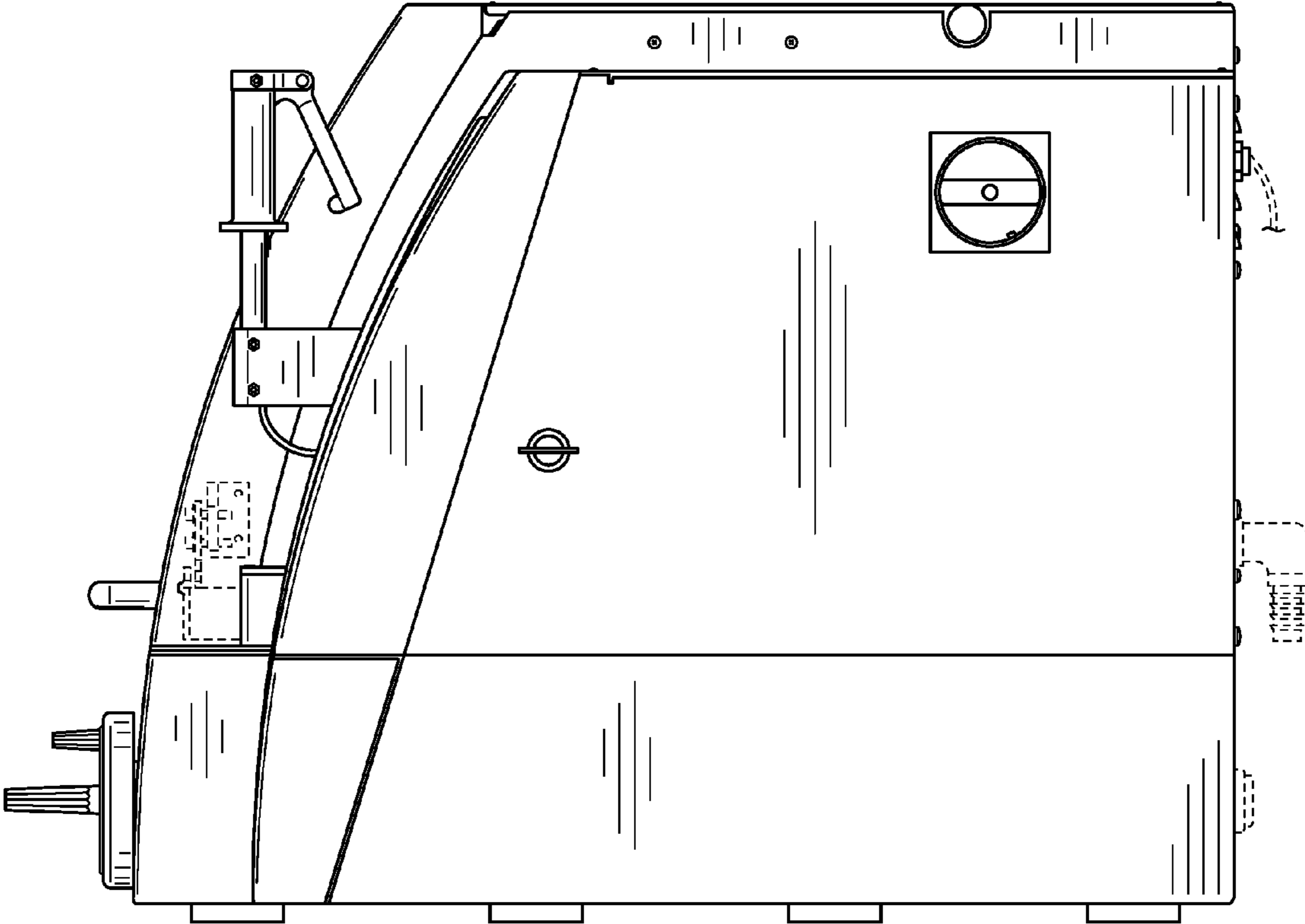


FIG. 5

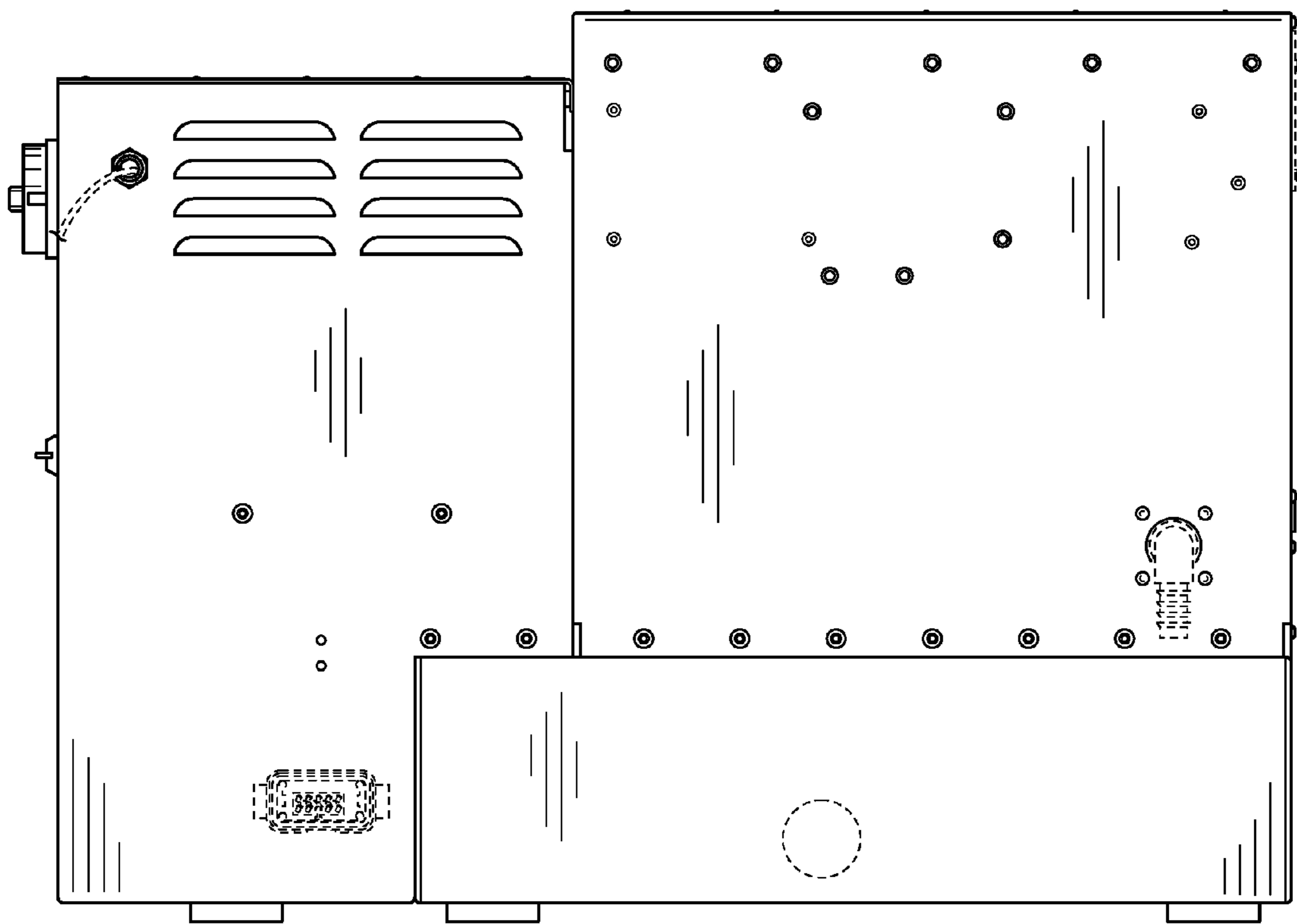


FIG. 6

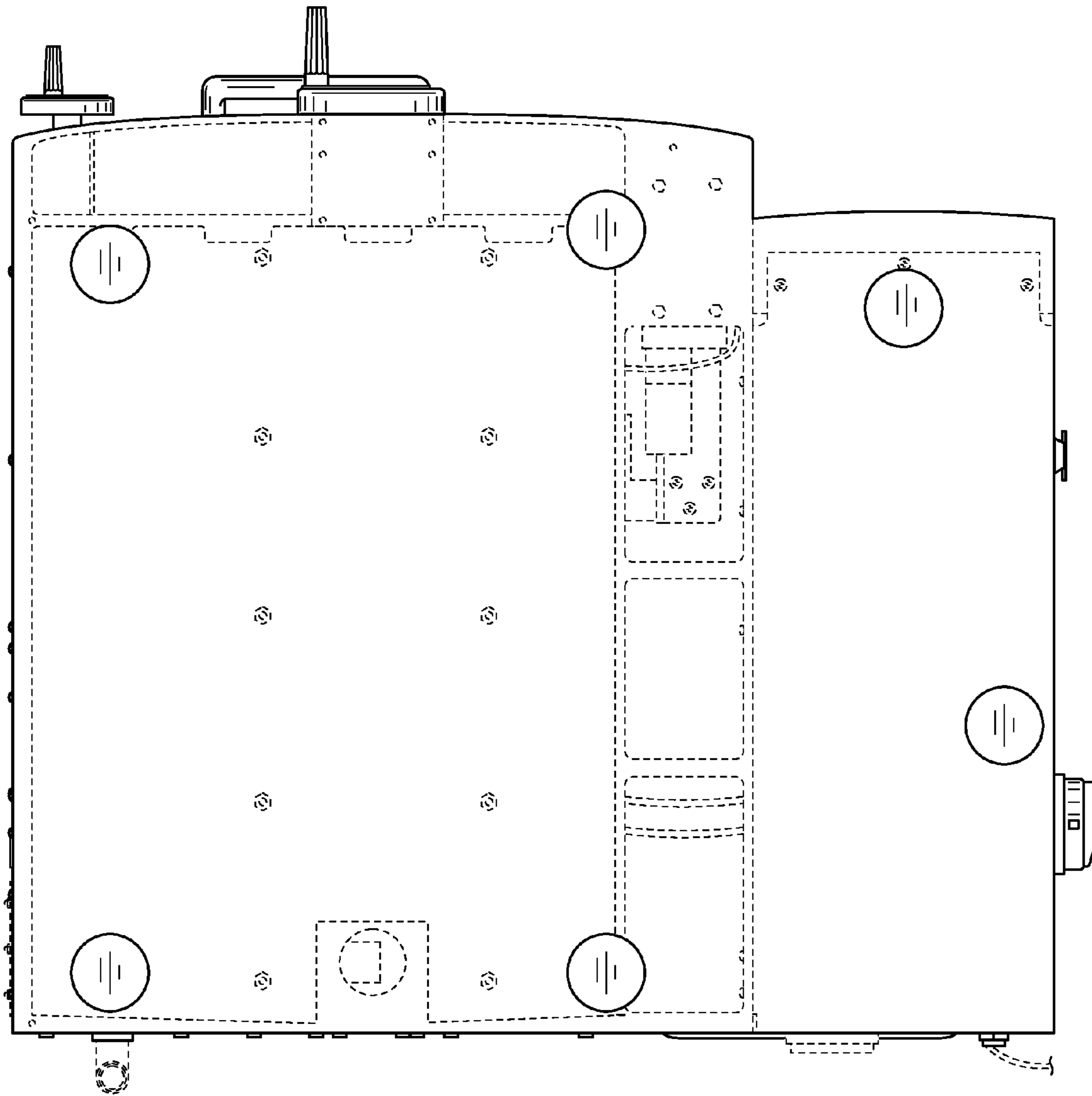


FIG. 7