



US00D604342S

(12) **United States Design Patent**
Lodridge

(10) **Patent No.:** **US D604,342 S**

(45) **Date of Patent:** **** Nov. 17, 2009**

(54) **MACHINE CABINET**

(57) **CLAIM**

(75) Inventor: **James Lodridge**, Kingsburg, CA (US)

I claim the ornamental design for the machine cabinet, as shown and described.

(73) Assignee: **Thiele Technology, Inc.**, Minneapolis, MN (US)

(**) Term: **14 Years**

(21) Appl. No.: **29/330,862**

(22) Filed: **Jan. 15, 2009**

(51) **LOC (9) Cl.** **15-09**

(52) **U.S. Cl.** **D15/122**

(58) **Field of Classification Search** D15/122,
D15/124, 127, 128, 130, 131; 29/26 A, 26 R,
29/30, 33 A–33 T, 34 R, 39, 50, 563–566,
29/564.1–564.8; 483/17–57

See application file for complete search history.

(56) **References Cited**

U.S. PATENT DOCUMENTS

D232,189 S *	7/1974	Goffredo	D15/122
D250,196 S *	11/1978	Caccioli et al.	D15/124
D302,281 S *	7/1989	Albright et al.	D20/4
D323,661 S *	2/1992	Zwicker	D15/124
D386,504 S *	11/1997	Dieck	D15/124
D445,118 S *	7/2001	Zwicker et al.	D15/124
D567,263 S *	4/2008	Sugihara et al.	D15/122

* cited by examiner

Primary Examiner—Sandra Snapp

Assistant Examiner—Patricia Palasik

(74) *Attorney, Agent, or Firm*—Mark D. Miller

DESCRIPTION

FIG. 1 is a front perspective view of a first embodiment of a machine cabinet showing my new design;

FIG. 2 is a front elevational view thereof;

FIG. 3 is a left side elevational view thereof;

FIG. 4 is a right side elevational view thereof;

FIG. 5 is a rear elevational view thereof;

FIG. 6 is an top plan view thereof; and

FIG. 7 is a bottom plan thereof.

In FIGS. 1–7, the surfaces having angled lines on them depict transparent surfaces; the remaining surfaces in these figures are solid.

FIG. 8 is a front perspective view of an alternative embodiment of a machine cabinet showing my new design;

FIG. 9 is a front elevational view thereof;

FIG. 10 is a left side elevational view thereof;

FIG. 11 is a right side elevational view thereof;

FIG. 12 is a rear elevational view thereof;

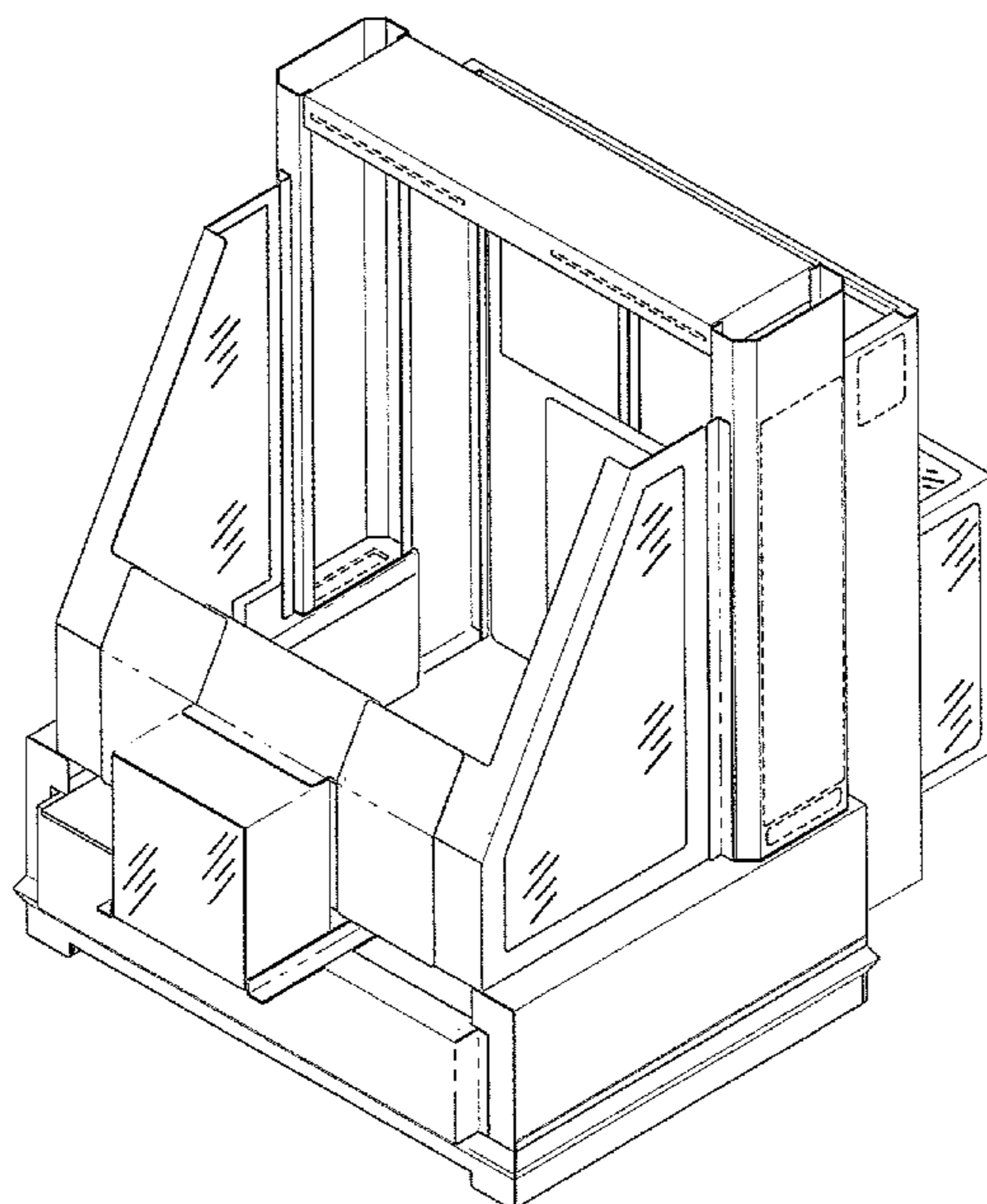
FIG. 13 is an top plan view thereof; and,

FIG. 14 is a bottom plan thereof.

In FIGS. 8–14, the surfaces having hatching on them depict screened surfaces; the remaining surfaces in these figures are solid.

The broken lines in the drawings depict unclaimed environmental subject matter.

1 Claim, 8 Drawing Sheets



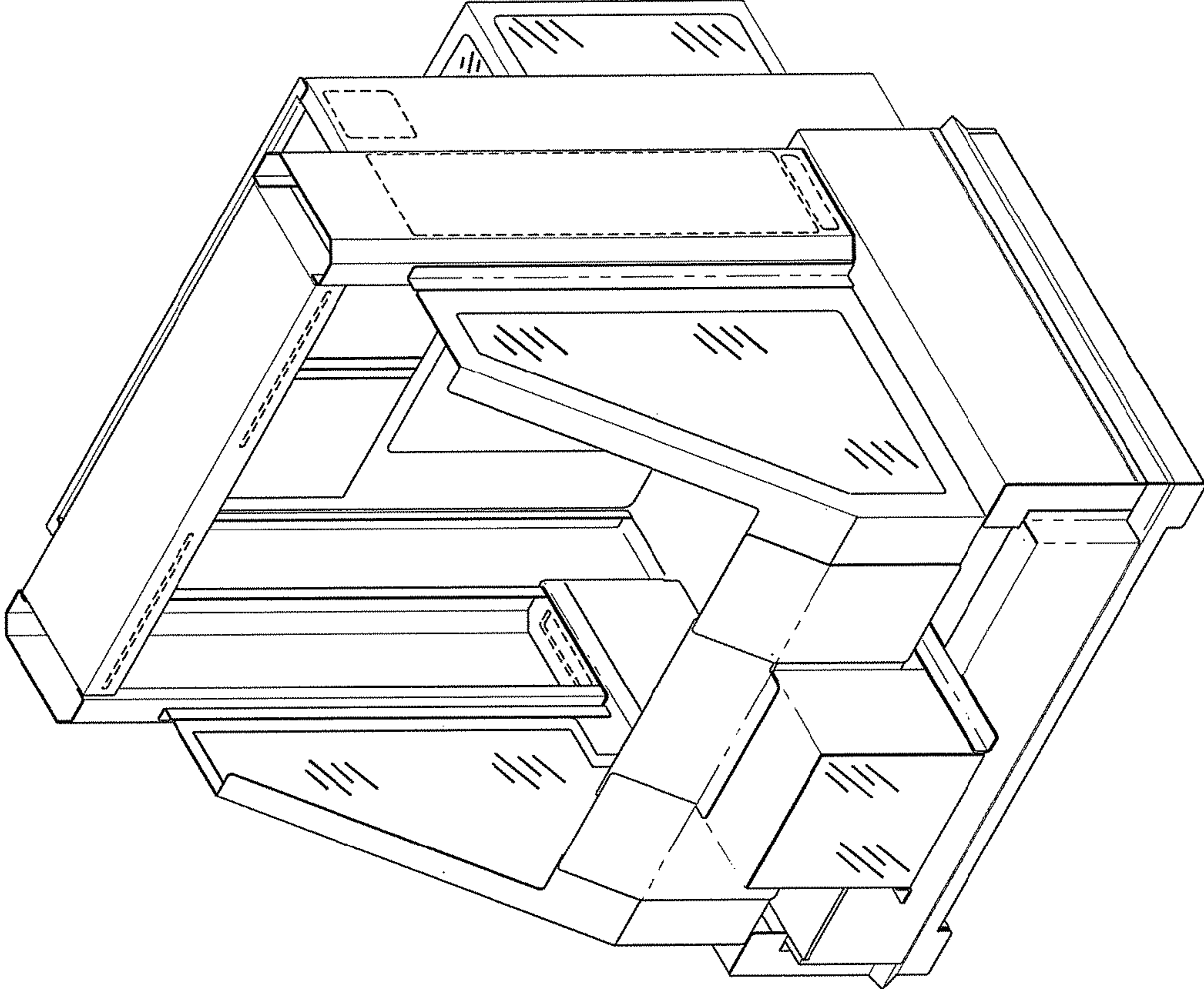


Fig. 1

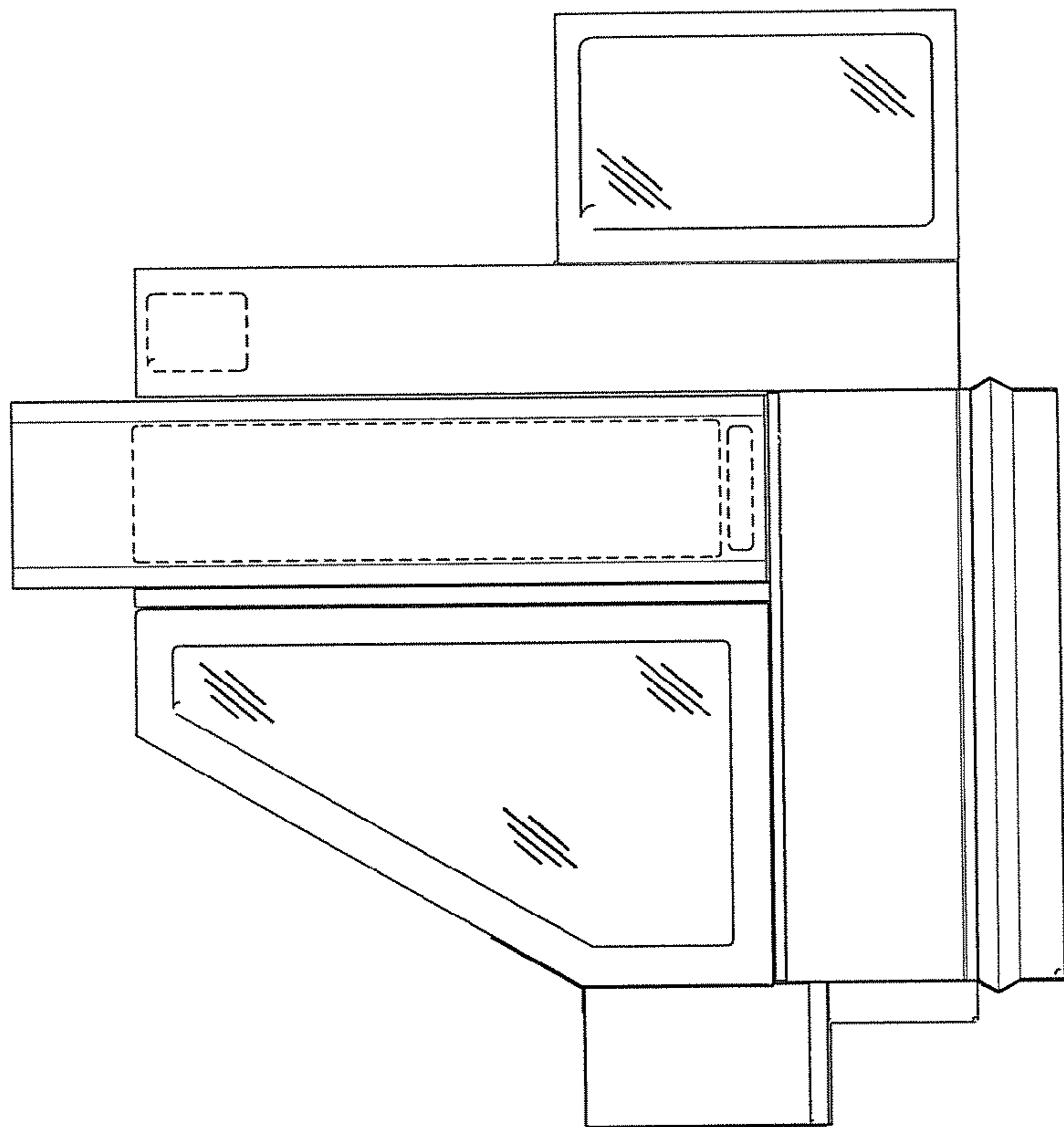


Fig. 3

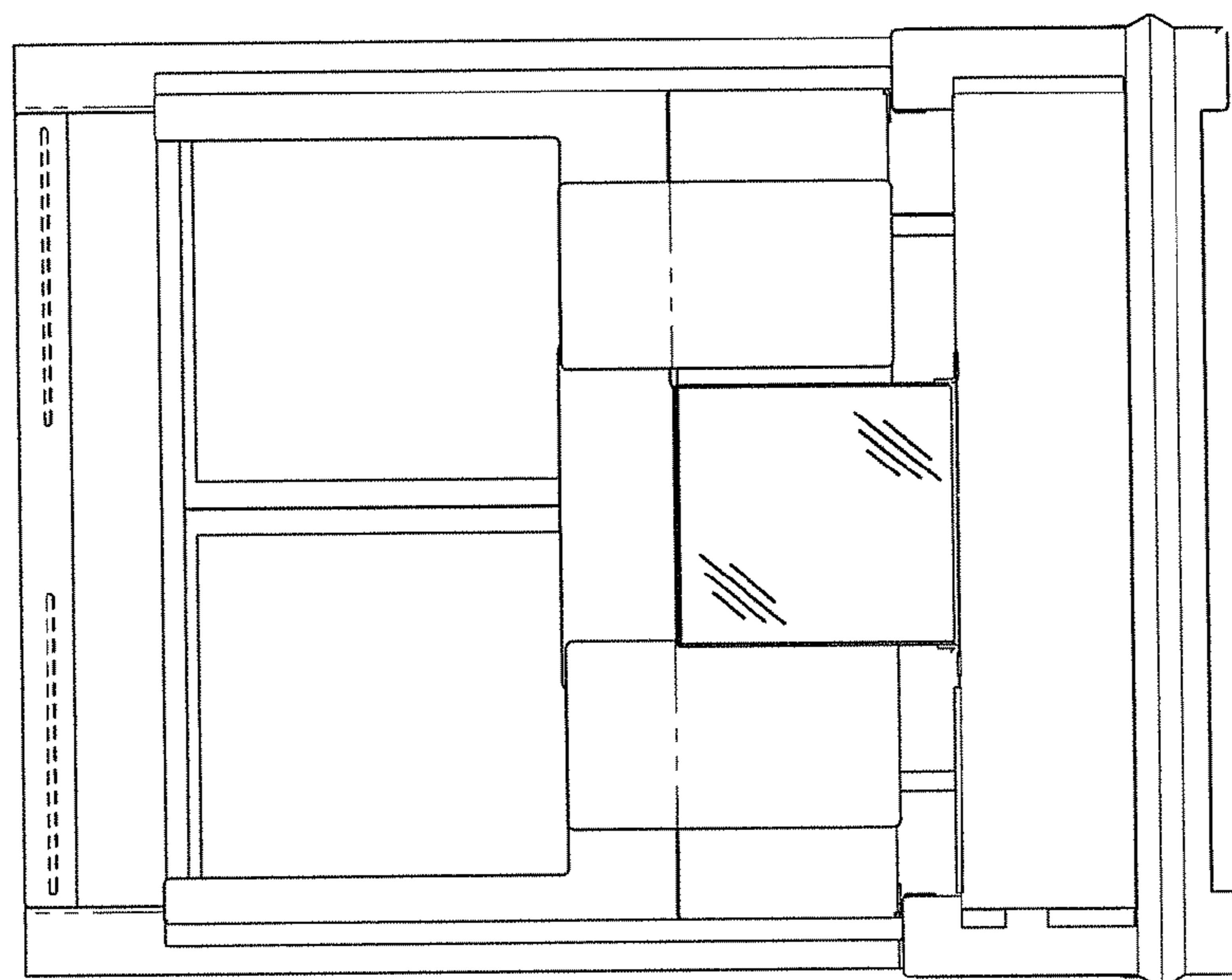


Fig. 2

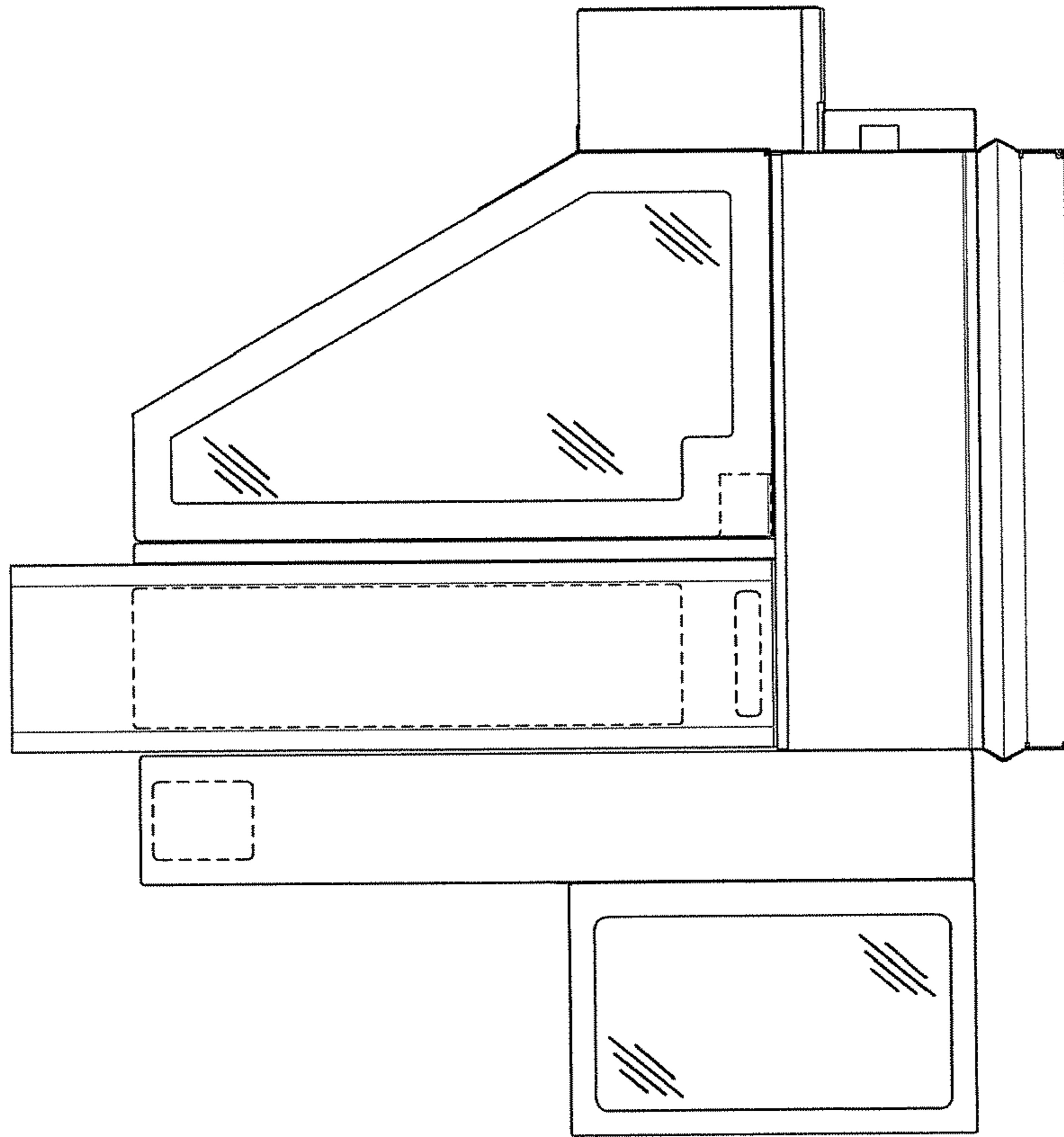


Fig. 4

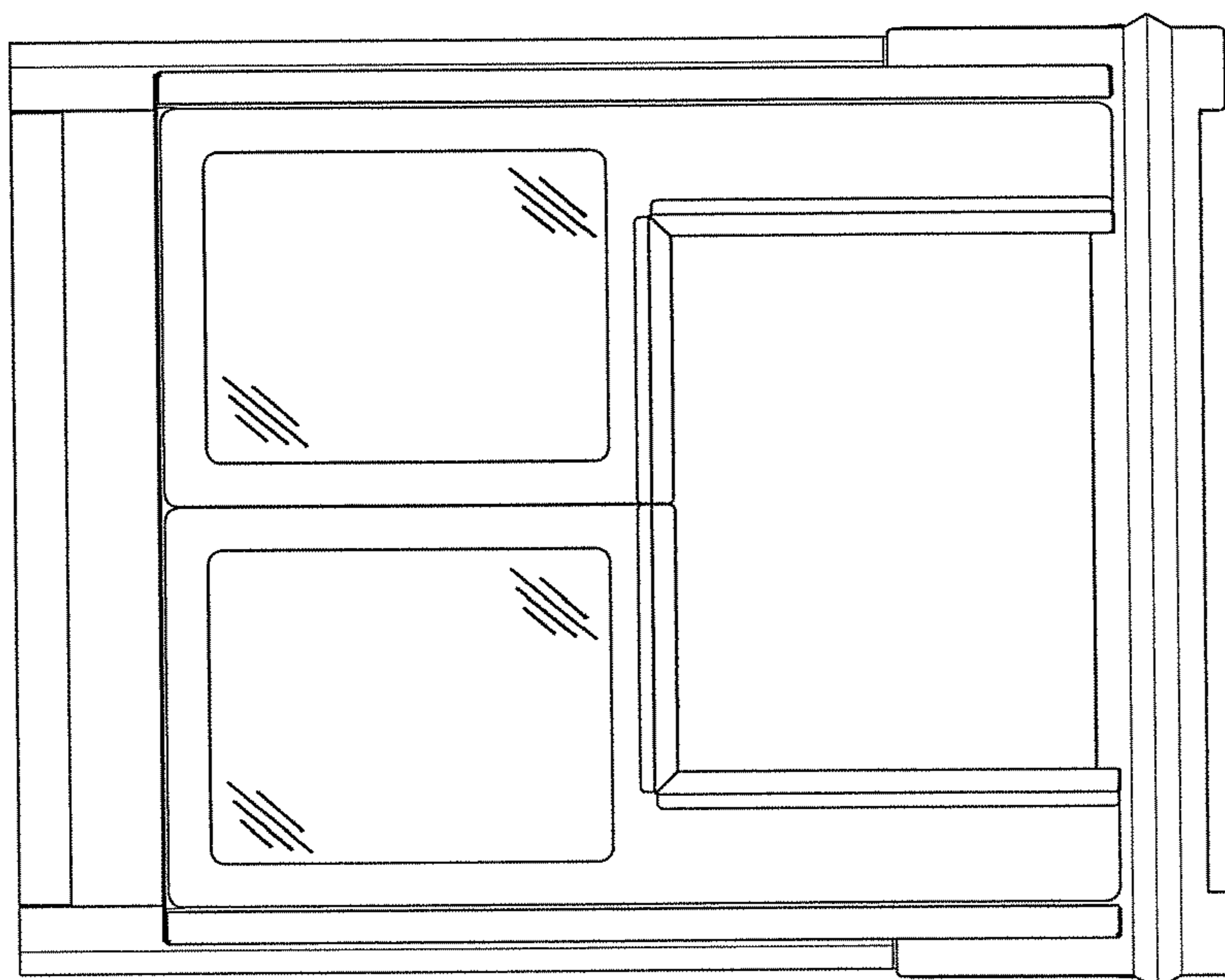


Fig. 5

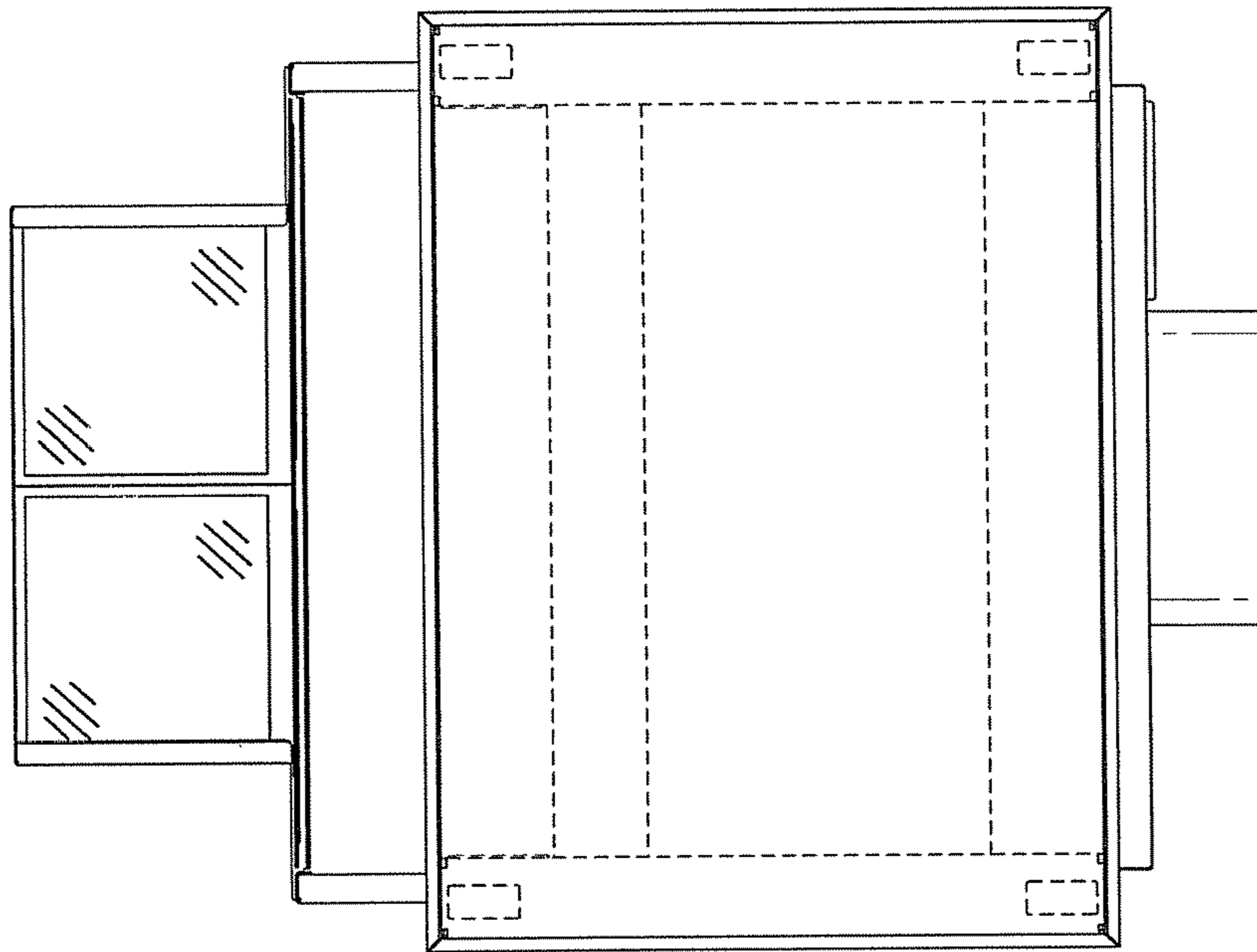


Fig. 7

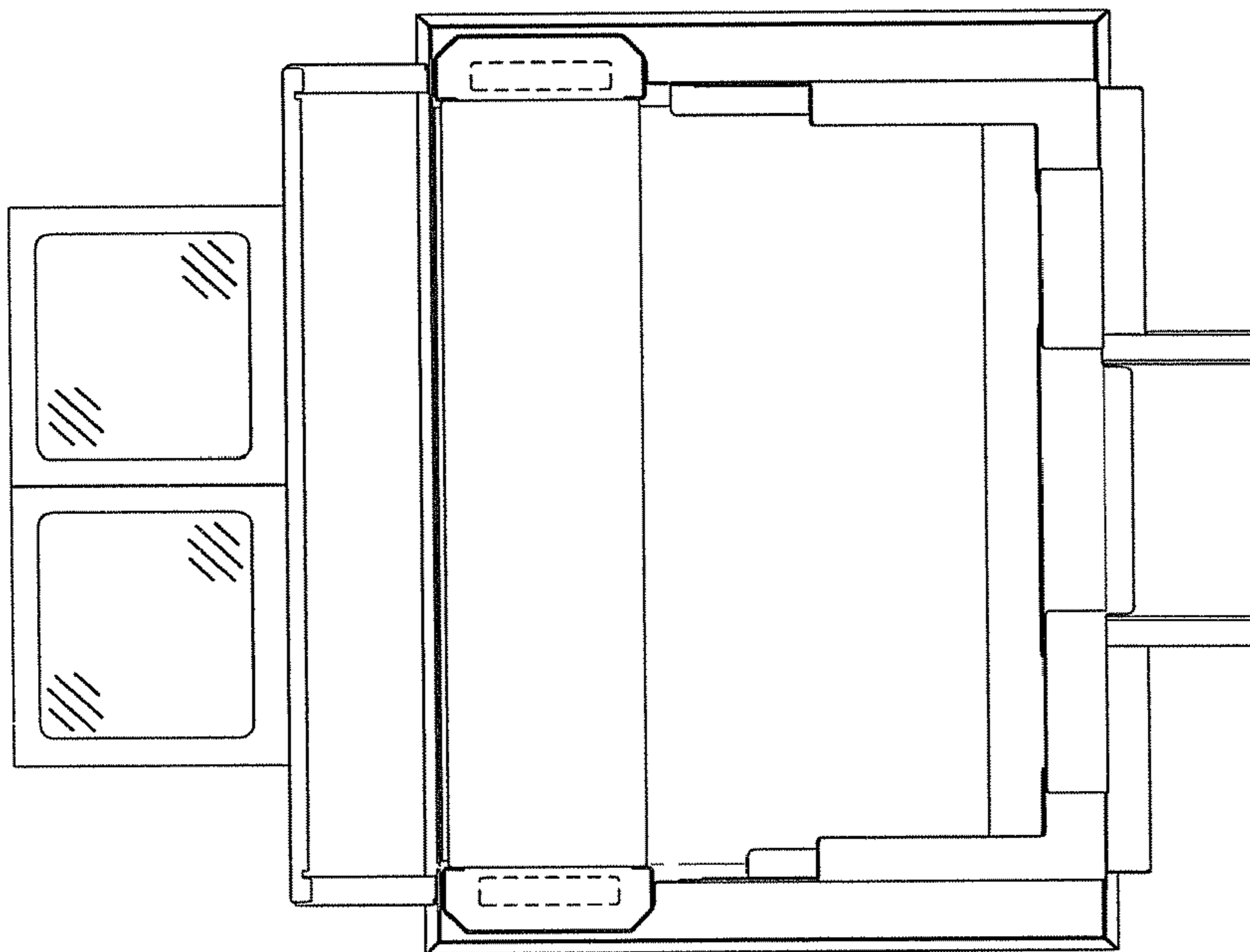


Fig. 6

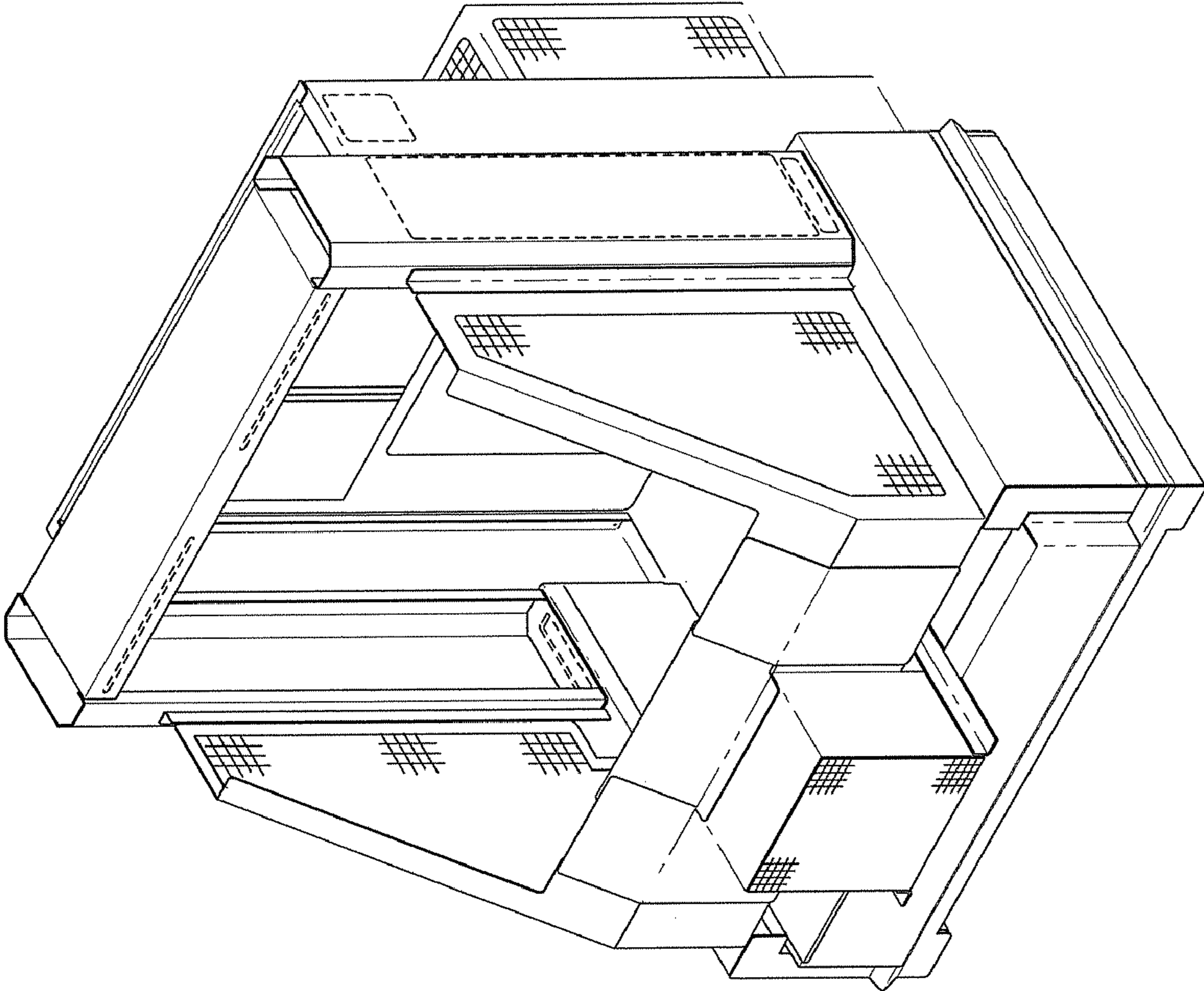


Fig. 8

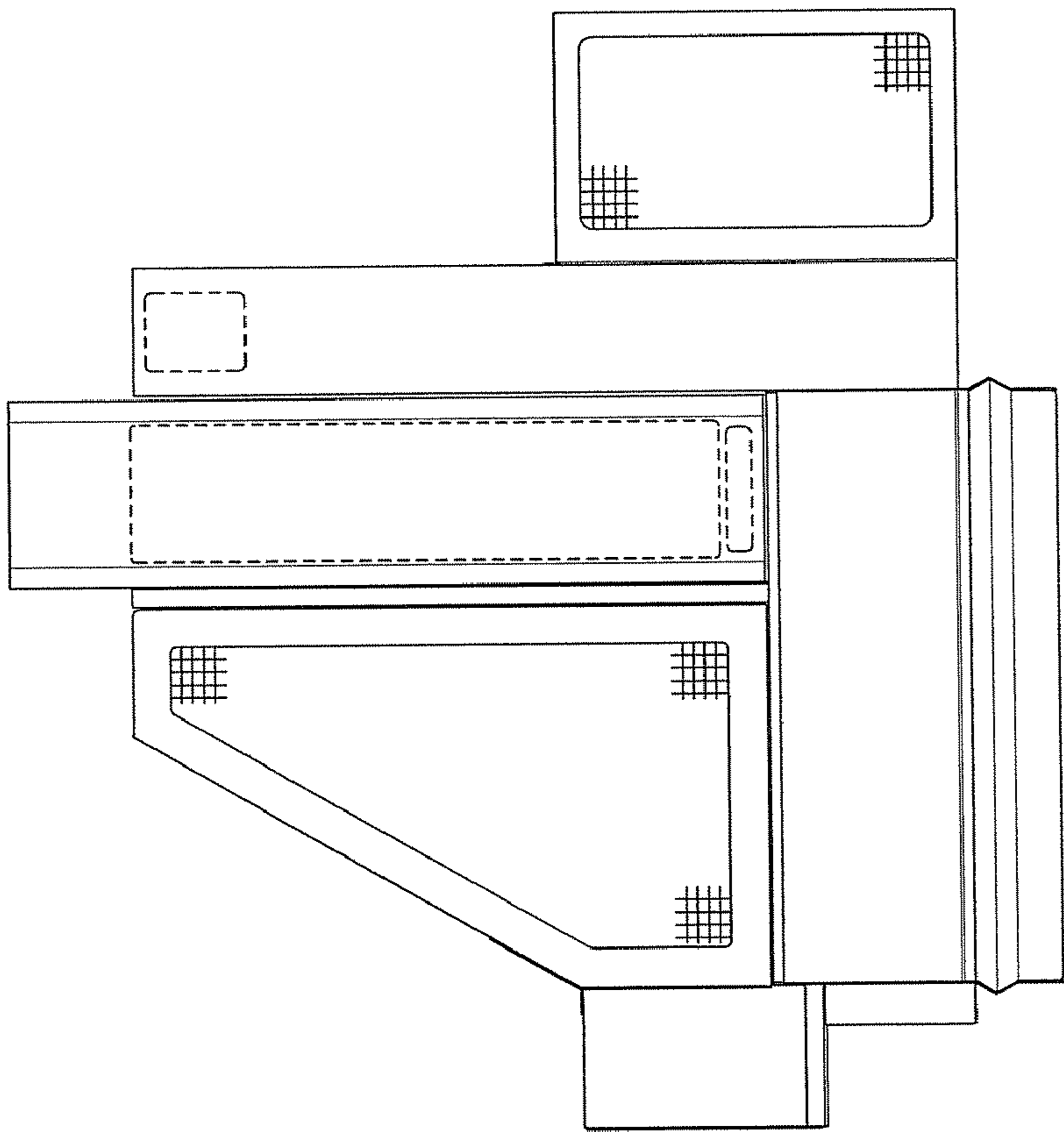


Fig. 10

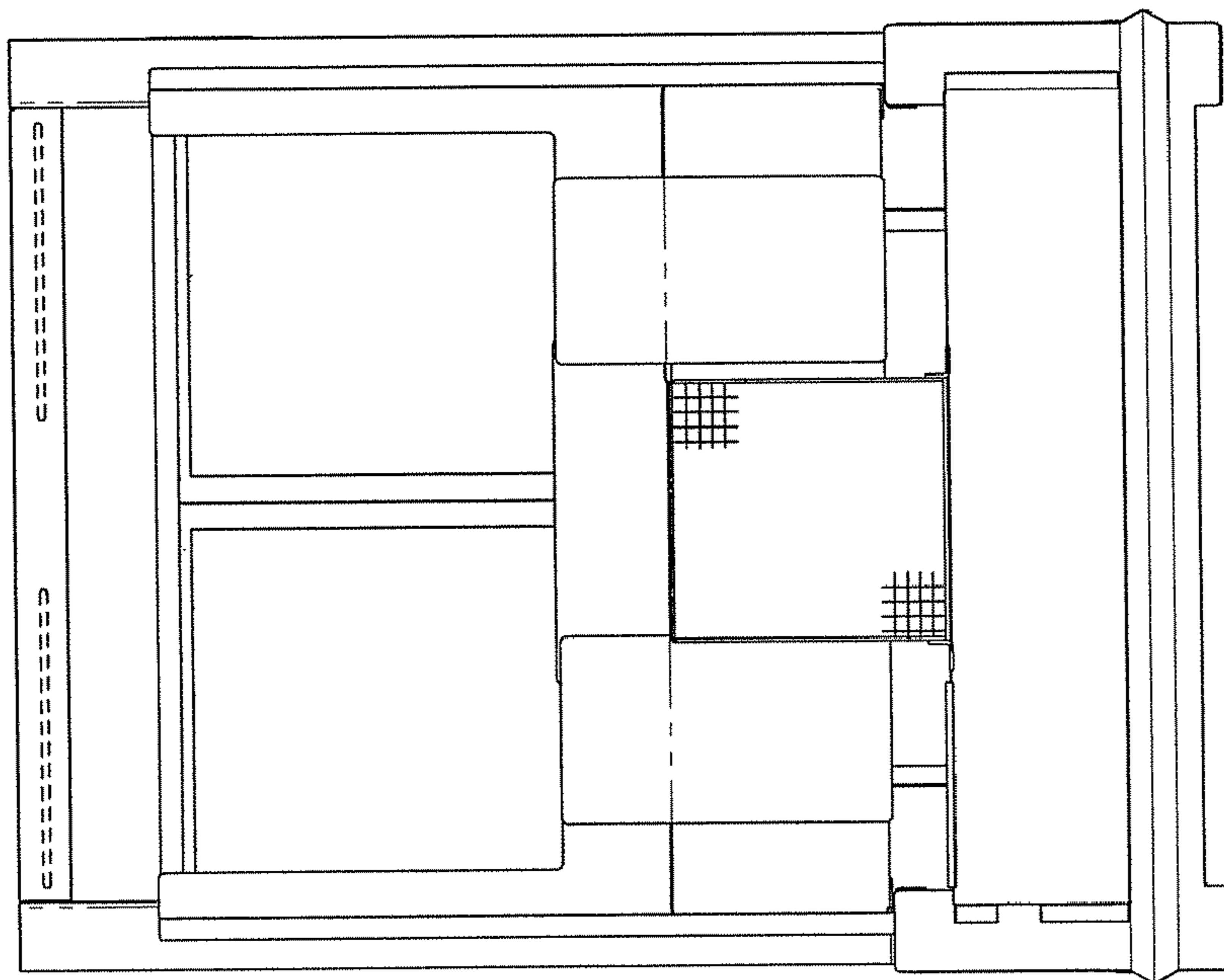


Fig. 9

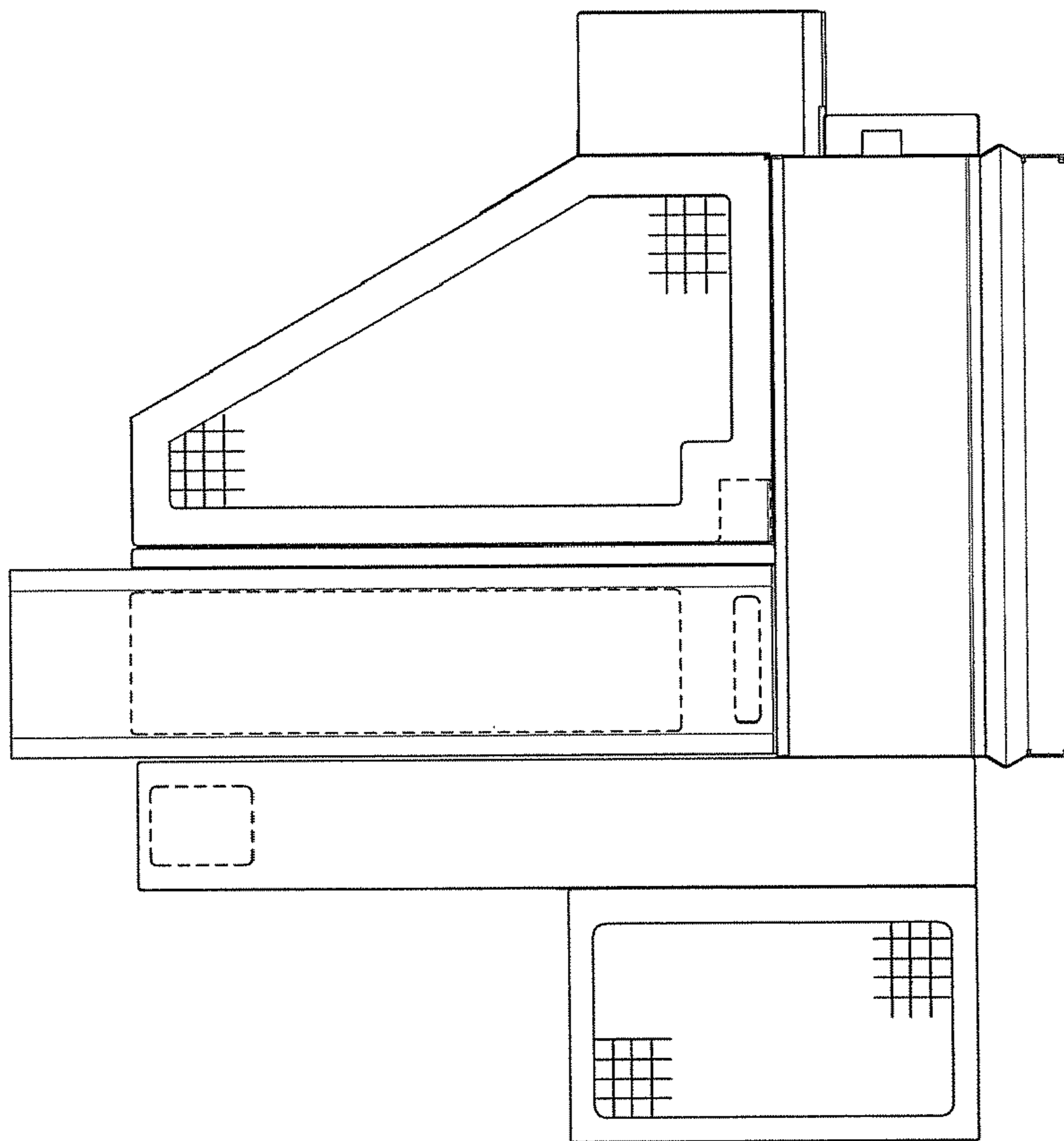


Fig. 11

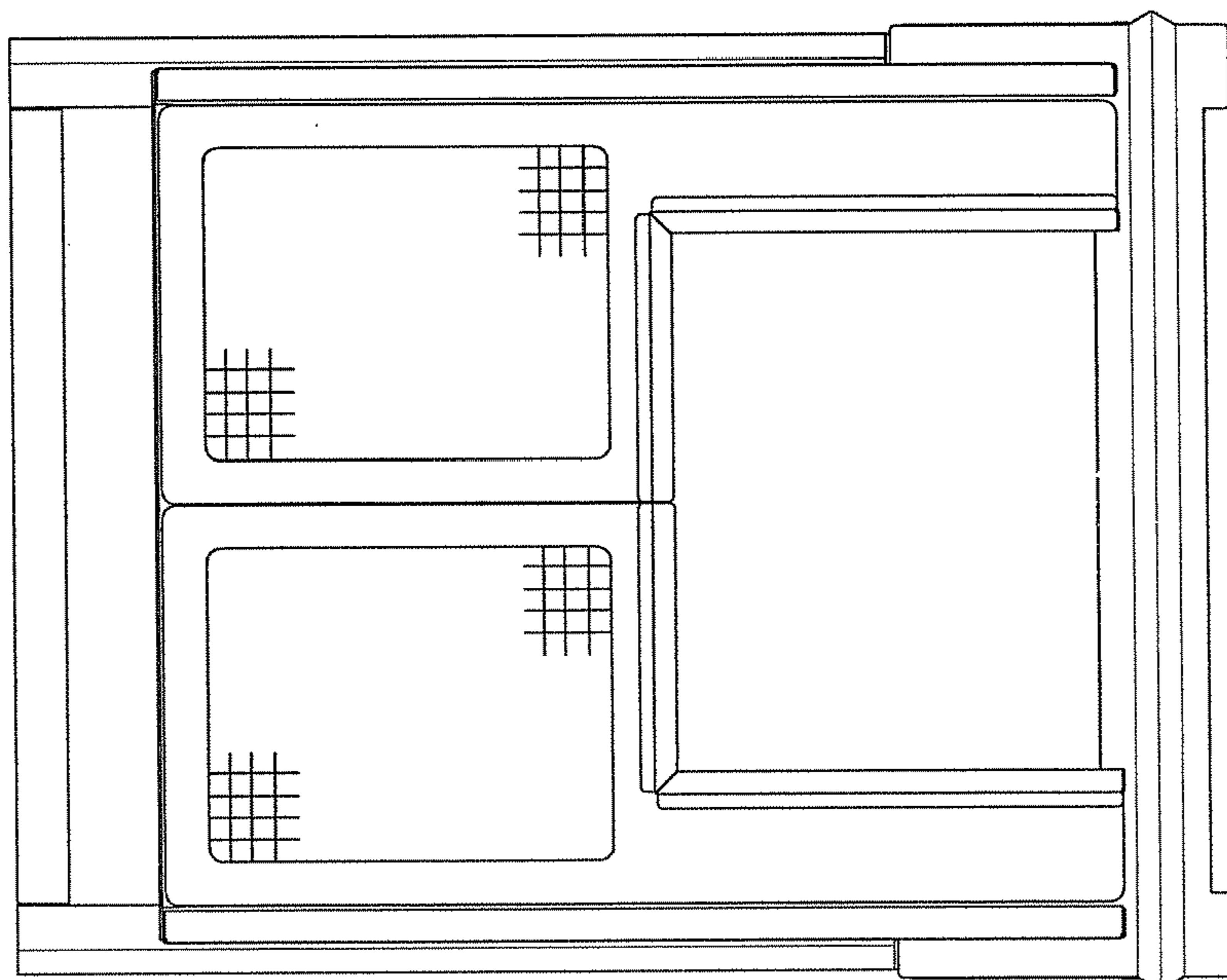


Fig. 12

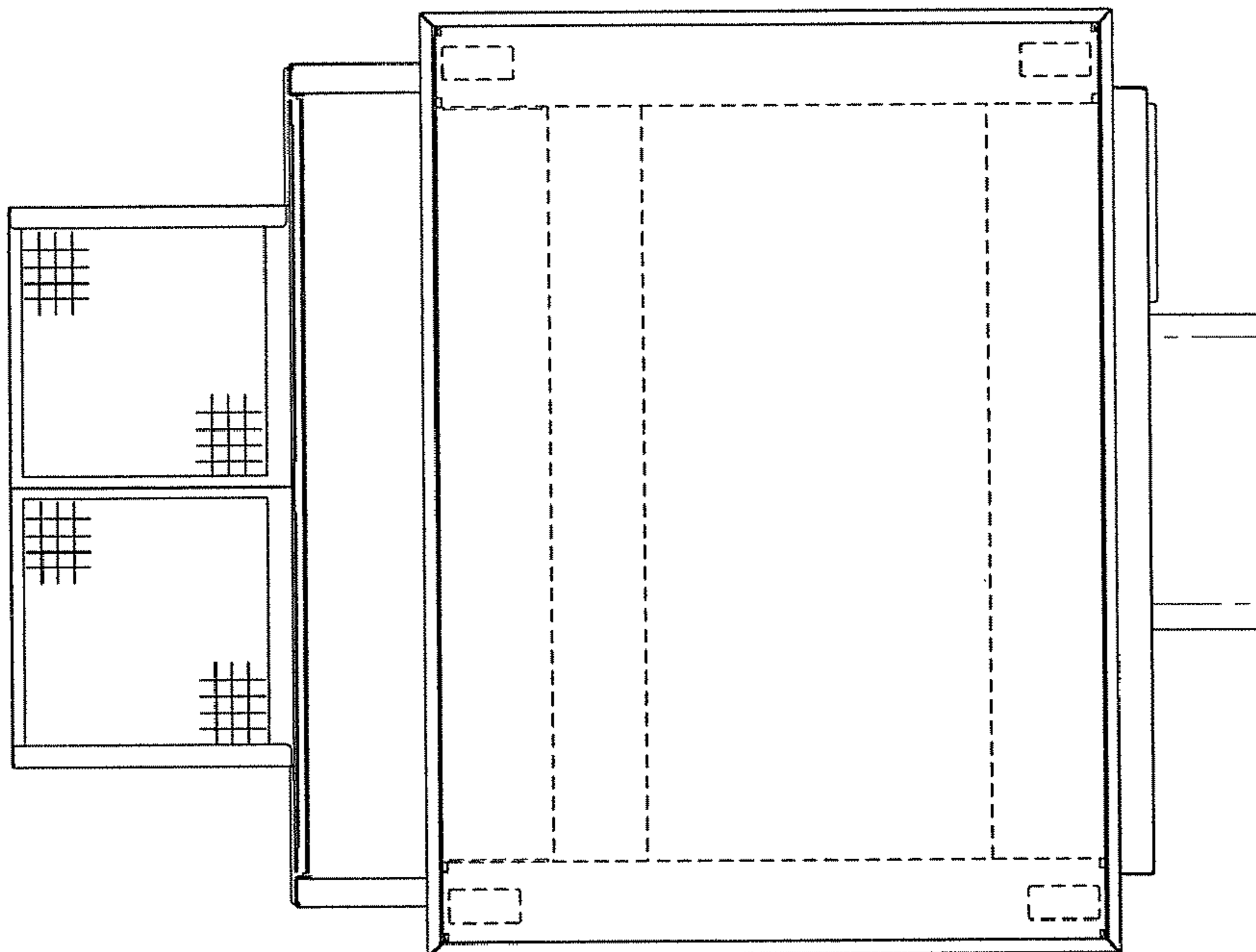


Fig. 14

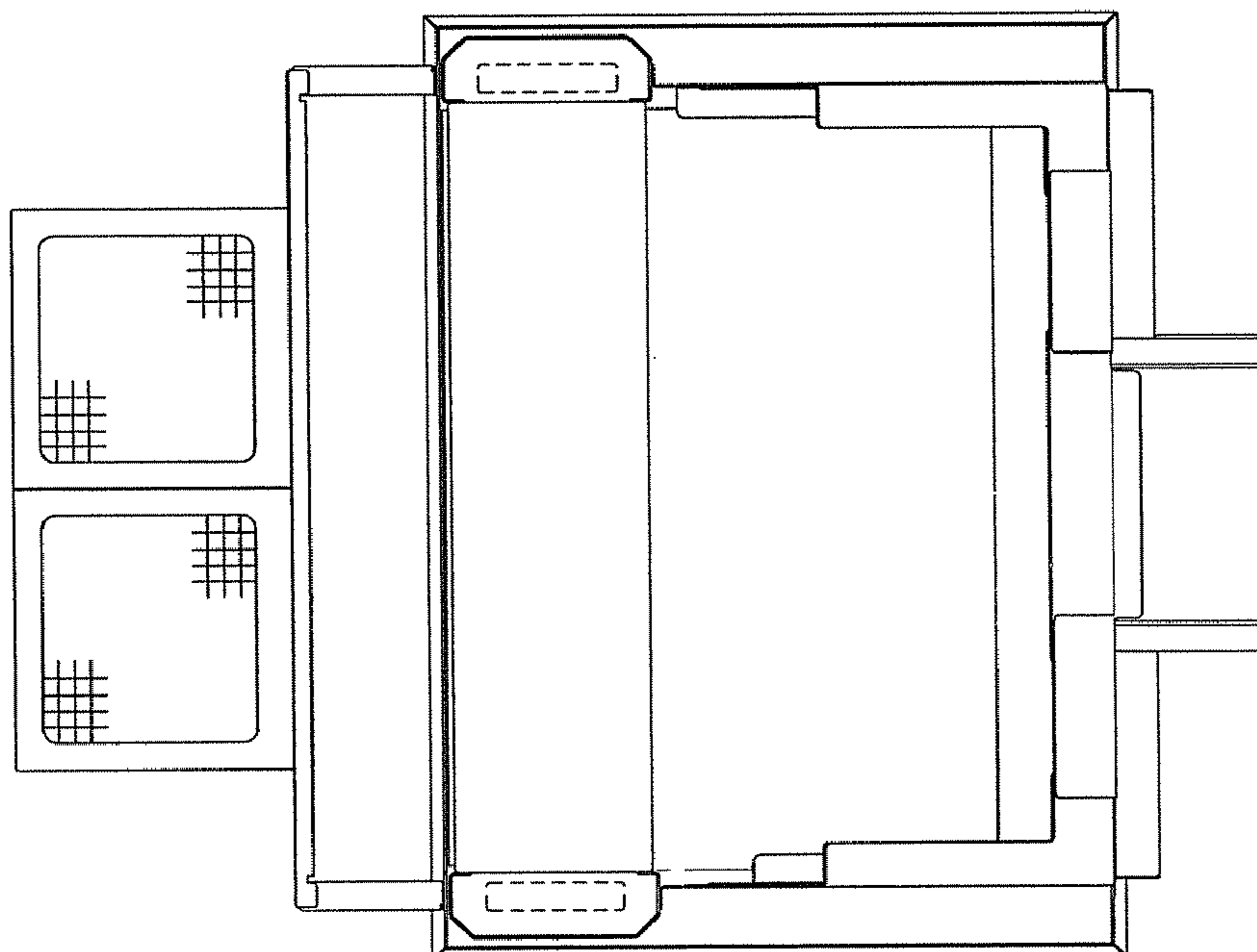


Fig. 13