

US00D604337S

(12) **United States Design Patent**  
**Furusawa**

(10) **Patent No.:** **US D604,337 S**

(45) **Date of Patent:** **\*\* Nov. 17, 2009**

(54) **CRAWLER**

(75) Inventor: **Toshinori Furusawa, Kobe (JP)**

(73) Assignee: **Sumitomo Rubber Industries, Ltd.,  
Kobe (JP)**

(\*\*) Term: **14 Years**

(21) Appl. No.: **29/332,272**

(22) Filed: **Feb. 12, 2009**

(30) **Foreign Application Priority Data**

Sep. 8, 2008 (JP) ..... 2008-023100

(51) **LOC (9) Cl.** ..... **15-03**

(52) **U.S. Cl.** ..... **D15/28**

(58) **Field of Classification Search** ..... D15/22-26,  
D15/28; D21/491, 495, 537, 431, 484; 152/108,  
152/62, 88; 305/35, 44, 160, 185, 53, 201,  
305/46, 50, 196, 198, 200, 39, 162, 187,  
305/191, 189

See application file for complete search history.

(56) **References Cited**

**U.S. PATENT DOCUMENTS**

6,176,557 B1 *	1/2001	Ono	.....	305/177
D454,890 S *	3/2002	Tsuru	.....	D15/28
D455,444 S *	4/2002	Tsuru	.....	D15/28
6,402,268 B1 *	6/2002	Lussier	.....	305/165
D496,051 S	9/2004	Yoshida		
D514,133 S *	1/2006	Fujita	.....	D15/28
D543,218 S *	5/2007	Yoshida	.....	D15/28
D557,713 S *	12/2007	Sugihara	.....	D15/28
D561,786 S	2/2008	Tateishi		

D562,852 S *	2/2008	Tateishi	.....	D15/28
D565,605 S *	4/2008	Tateishi	.....	D15/28
D565,606 S *	4/2008	Sugihara	.....	D15/28
D567,823 S *	4/2008	Hagio	.....	D15/28
D569,393 S *	5/2008	Tateishi	.....	D15/28

**FOREIGN PATENT DOCUMENTS**

JP	924355 S	5/1995
JP	1094884 S	12/2000
JP	1142086 S	5/2002
KR	30-0259964	7/2000

\* cited by examiner

*Primary Examiner*—Stella M Reid

*Assistant Examiner*—Mark A Goodwin

(74) *Attorney, Agent, or Firm*—Birch, Stewart, Kolasch & Birch, LLP

(57) **CLAIM**

The ornamental design for a crawler, as shown and described.

**DESCRIPTION**

FIG. 1 is a front view of a crawler showing my new design;

FIG. 2 is a rear view thereof;

FIG. 3 is a top view thereof;

FIG. 4 is a bottom view thereof;

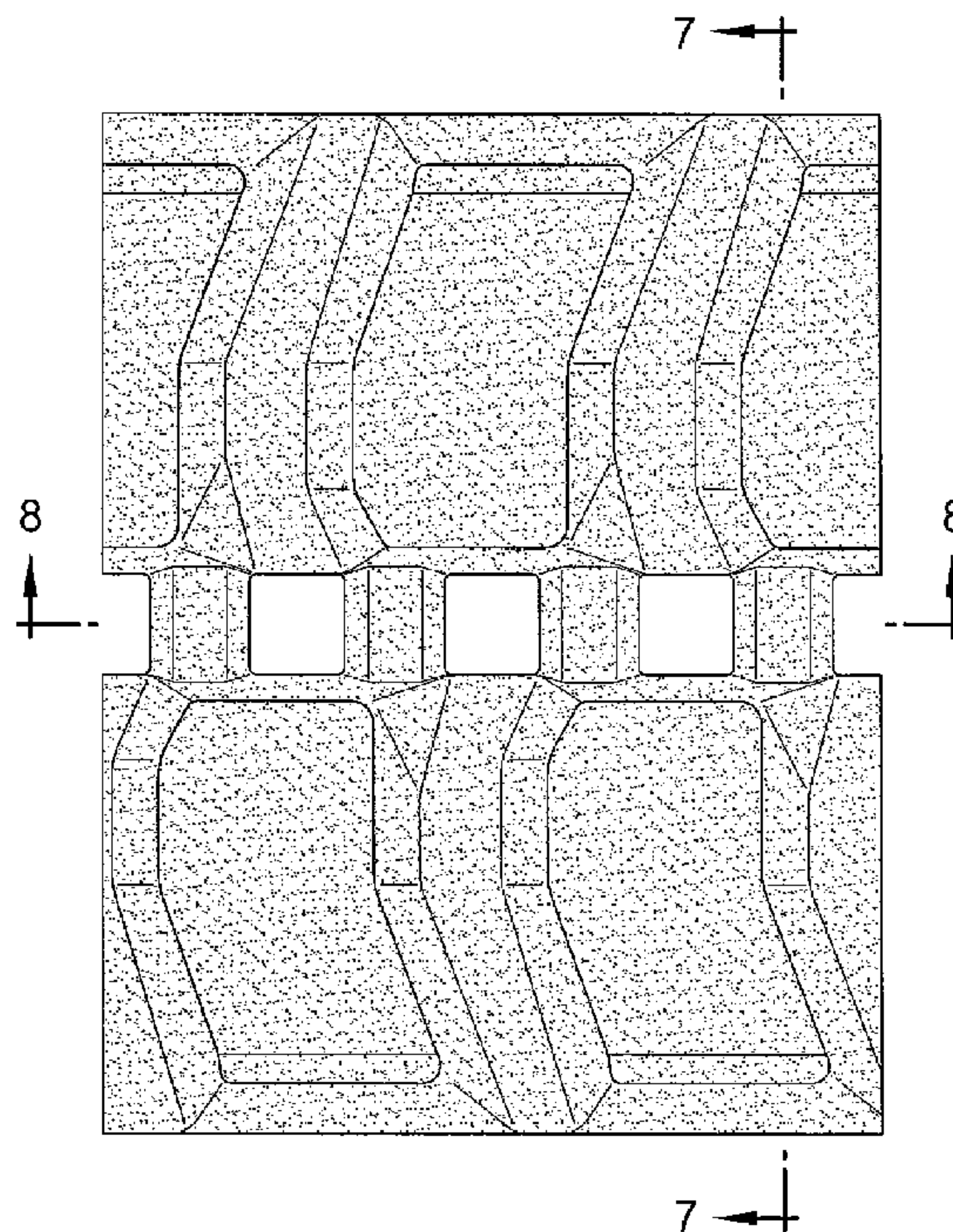
FIG. 5 is a right side view thereof;

FIG. 6 is a left side view thereof;

FIG. 7 is a cross-section view taken along line 7—7 in FIG. 1;  
and,

FIG. 8 is a cross-section view taken along line 8—8 in FIG. 1.

**1 Claim, 5 Drawing Sheets**



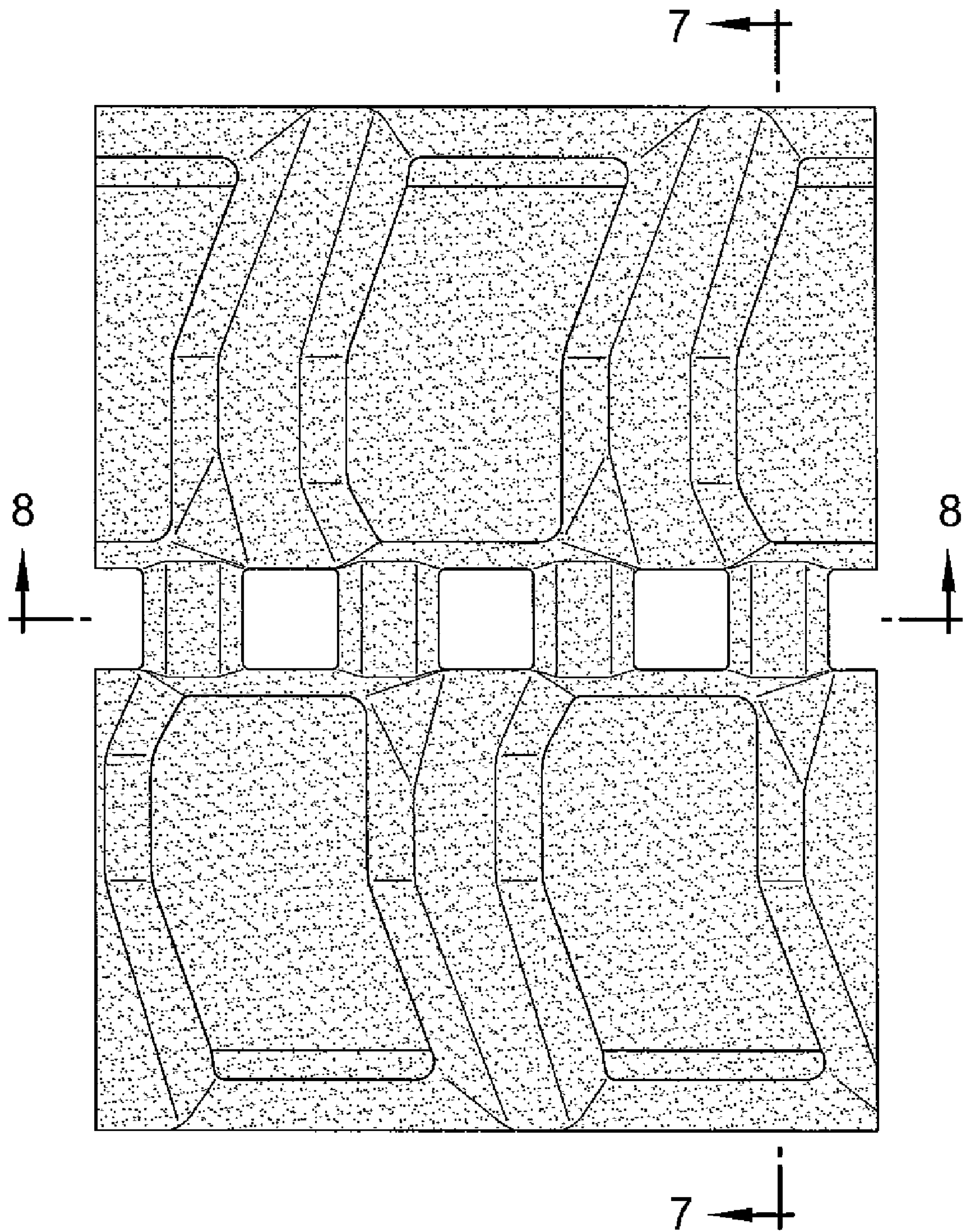


FIG. 1



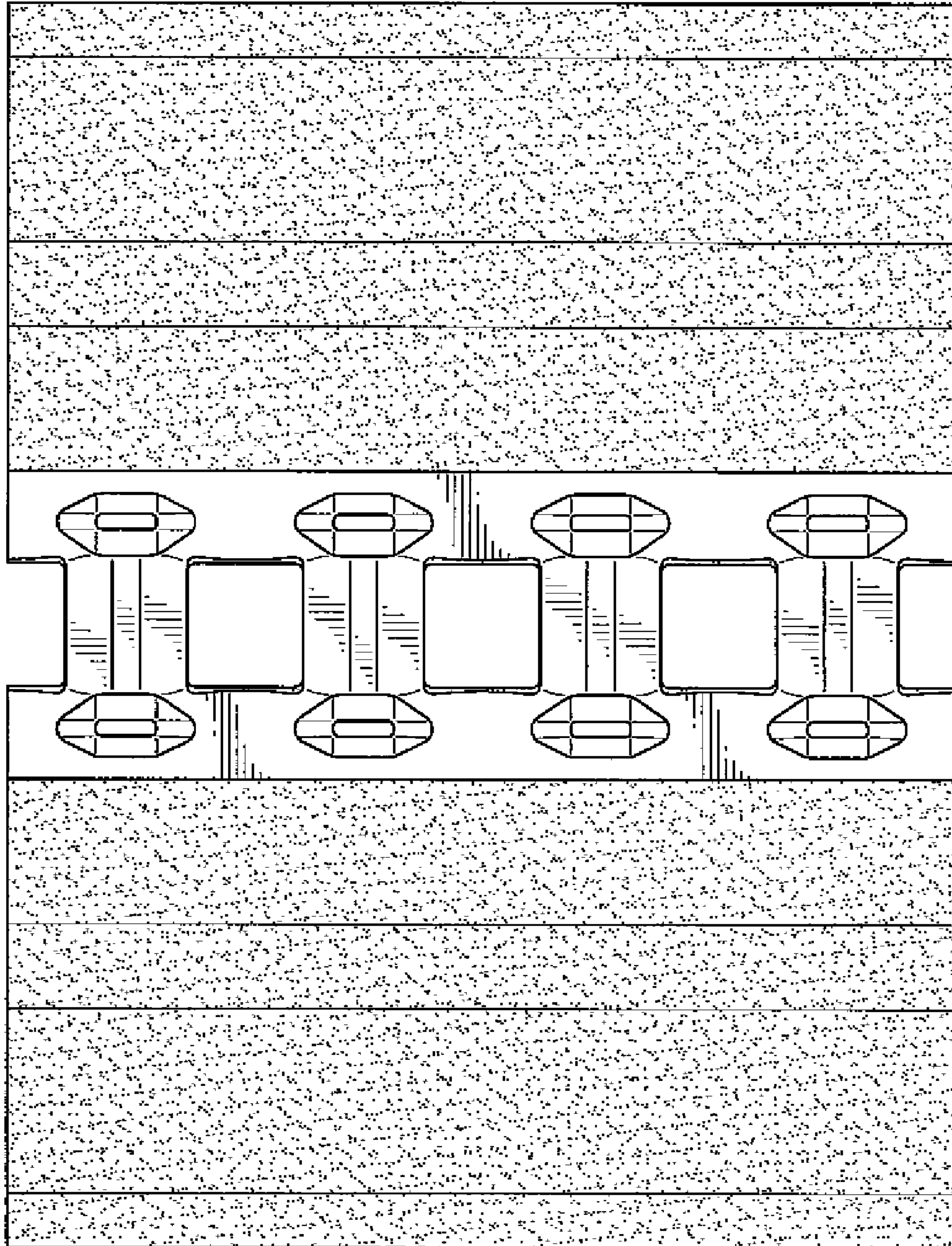


FIG.2

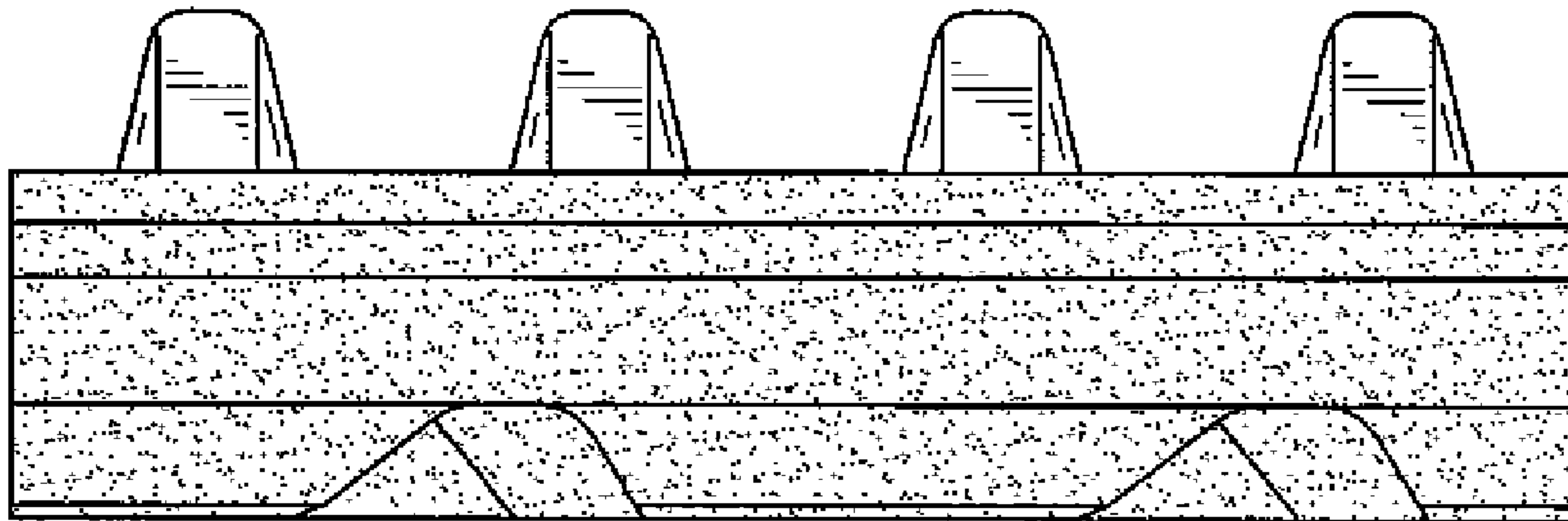


FIG. 3

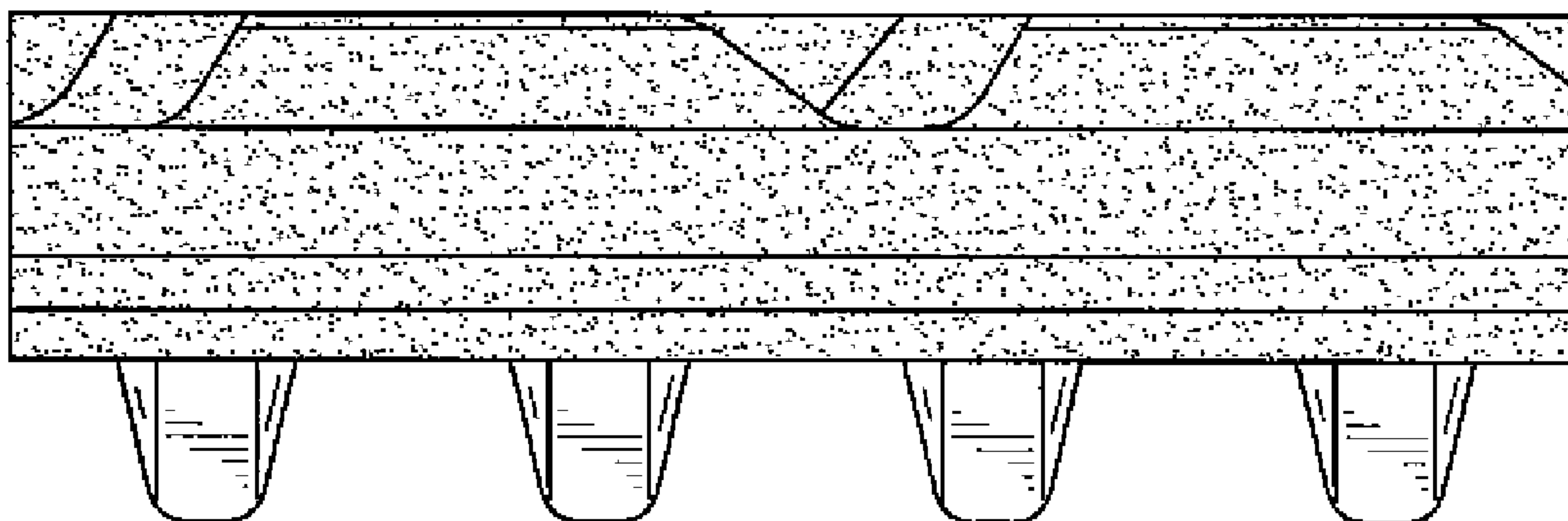


FIG. 4

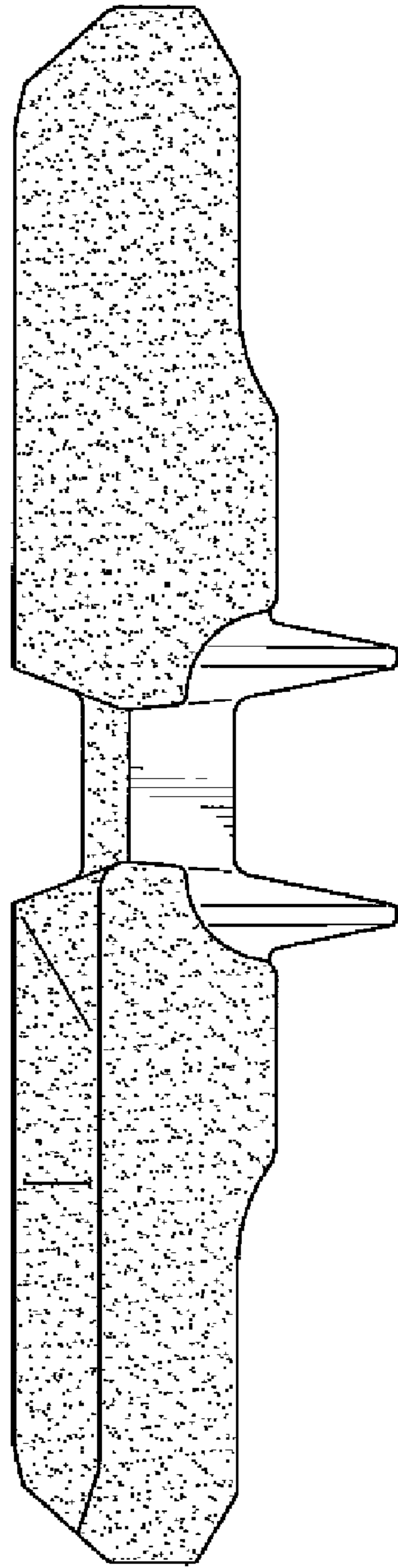


FIG. 5

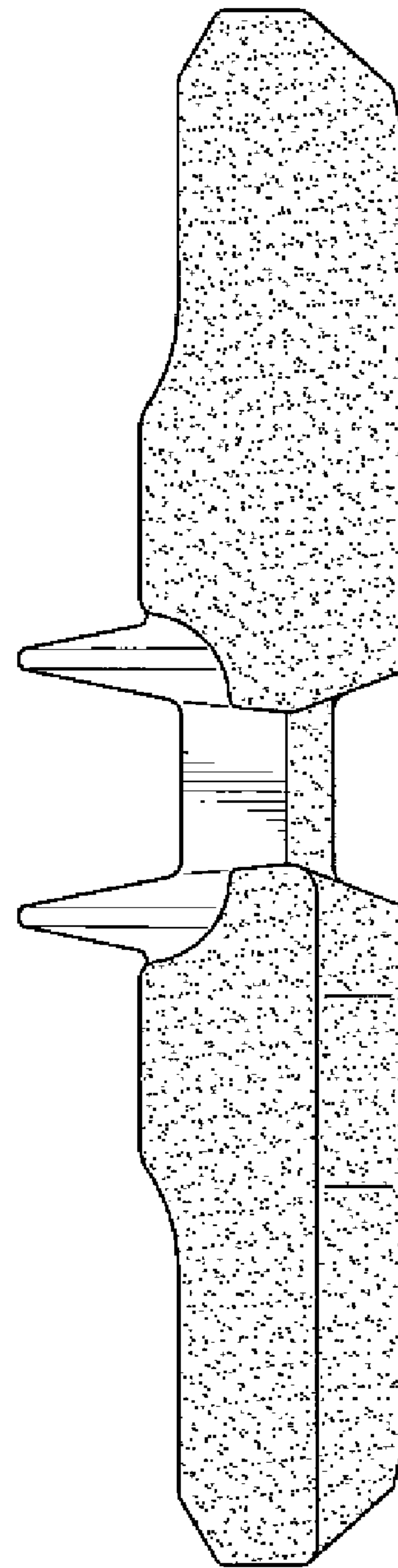


FIG. 6

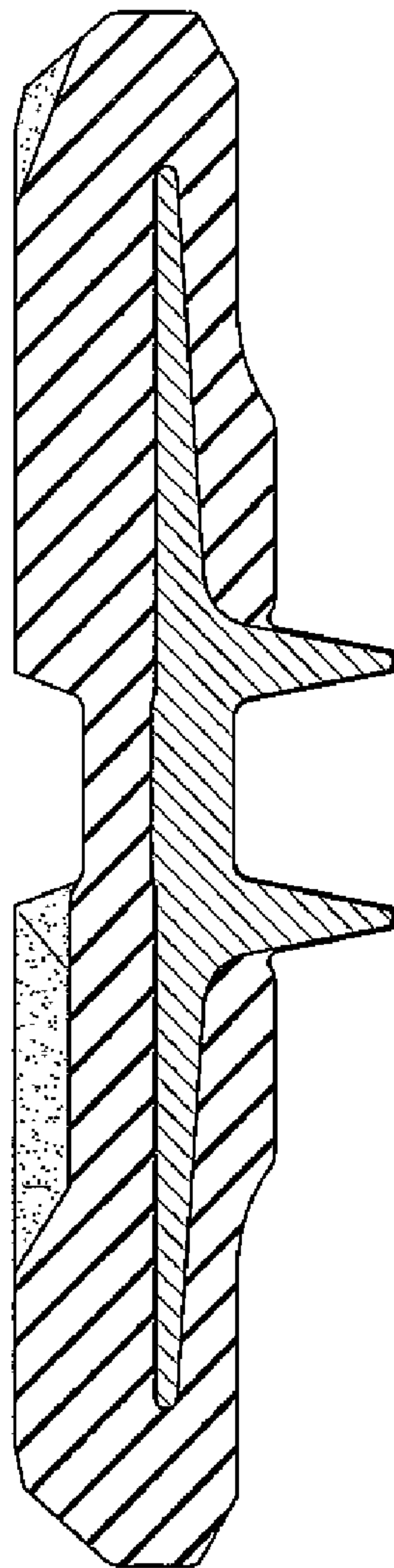


FIG. 7

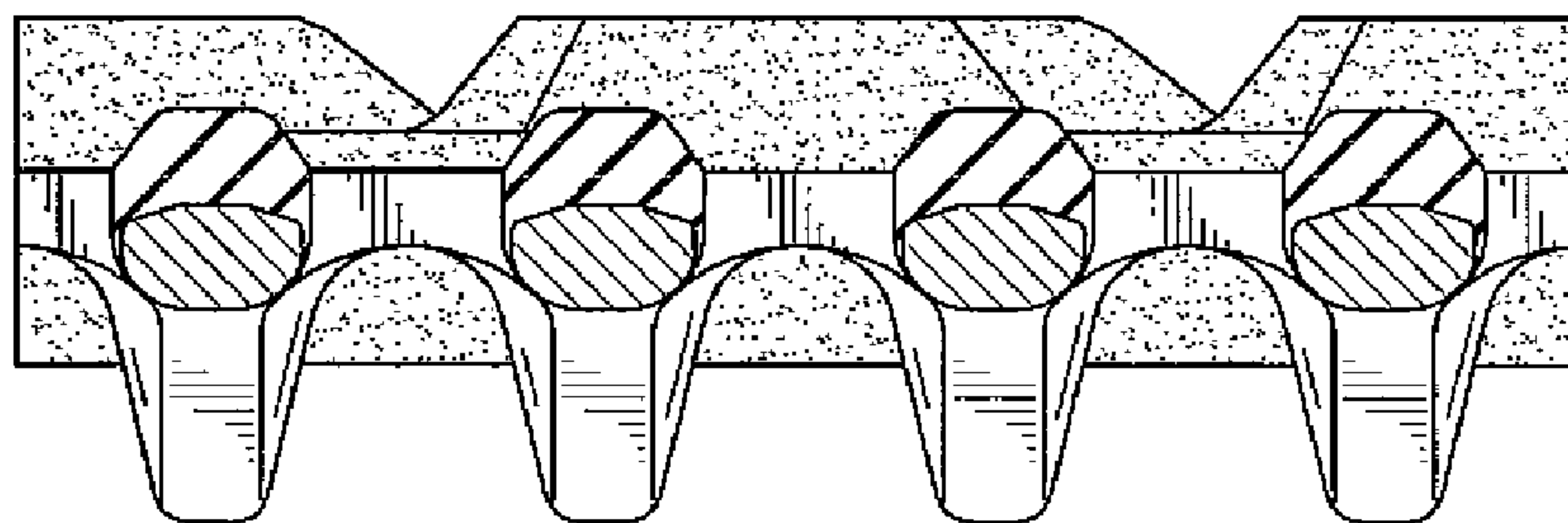


FIG. 8