

US00D604335S

(12) **United States Design Patent**  
**Hu**

(10) **Patent No.:** **US D604,335 S**

(45) **Date of Patent:** **\*\* Nov. 17, 2009**

(54) **HYDRAULIC REVERSIBLE PLATE COMPACTOR**

(75) Inventor: **Hong Hu**, Hefei (CN)

(73) Assignee: **Masalta Engineering Co., Ltd**, Hefei (CN)

(\*\*) Term: **14 Years**

(21) Appl. No.: **29/310,905**

(22) Filed: **Sep. 17, 2008**

(30) **Foreign Application Priority Data**

May 8, 2008 (CN) ..... 2008 3 0120299

(51) **LOC (9) Cl.** ..... **15-03**

(52) **U.S. Cl.** ..... **D15/20**

(58) **Field of Classification Search** ..... D15/20,  
D15/10, 147; 404/113, 133.1, 133.05, 114,  
404/117; 74/61; 173/113, 118; 172/699;  
56/11.3

See application file for complete search history.

(56) **References Cited**

**U.S. PATENT DOCUMENTS**

|           |      |         |                     |       |           |
|-----------|------|---------|---------------------|-------|-----------|
| D183,297  | S *  | 8/1958  | Brown               | ..... | D15/20    |
| D197,360  | S *  | 1/1964  | Frohnauer, Jr.      | ..... | D15/20    |
| 3,279,338 | A *  | 10/1966 | Briggs et al.       | ..... | 404/113   |
| D215,497  | S *  | 10/1969 | Frohnauer, Jr.      | ..... | D15/20    |
| D227,166  | S *  | 6/1973  | Briggs et al.       | ..... | D15/20    |
| D227,598  | S *  | 7/1973  | Maass               | ..... | D15/20    |
| D235,374  | S *  | 6/1975  | Aiello              | ..... | D15/20    |
| D393,864  | S *  | 4/1998  | Waldenberger et al. | ..... | D15/20    |
| 6,551,022 | B1 * | 4/2003  | Stayner             | ..... | 404/133.1 |
| 6,588,977 | B1 * | 7/2003  | Stayner             | ..... | 404/133.1 |
| D517,094  | S *  | 3/2006  | Stein et al.        | ..... | D15/20    |
| D518,070  | S *  | 3/2006  | Schennach           | ..... | D15/20    |

|              |      |         |                  |       |            |
|--------------|------|---------|------------------|-------|------------|
| D542,810     | S *  | 5/2007  | Tanaka et al.    | ..... | D15/20     |
| 7,303,356    | B2 * | 12/2007 | Schennach et al. | ..... | 404/133.1  |
| 2006/0083590 | A1 * | 4/2006  | Schennach et al. | ..... | 404/133.1  |
| 2008/0003058 | A1 * | 1/2008  | Persson et al.   | ..... | 404/133.1  |
| 2008/0247824 | A1 * | 10/2008 | Steffen          | ..... | 404/133.05 |
| 2009/0035065 | A1 * | 2/2009  | Gavins           | ..... | 404/114    |

**OTHER PUBLICATIONS**

Masalta, Manufacture and Exporter, Light Construction Equipment & Accessories, Masalta Engineering Co., LTD, catalog, pp. 12-15.

\* cited by examiner

*Primary Examiner*—Stella M Reid

*Assistant Examiner*—Mark A Goodwin

(74) *Attorney, Agent, or Firm*—Hudak, Shunk & Farine Co. LPA

(57) **CLAIM**

I claim ornamental design for a hydraulic reversible plate compactor, as shown and described.

**DESCRIPTION**

FIG. 1 is a front view of a hydraulic reversible plate compactor showing my new design;

FIG. 2 is a rear view thereof;

FIG. 3 is a top view thereof;

FIG. 4 is a bottom view thereof;

FIG. 5 is a right side view thereof;

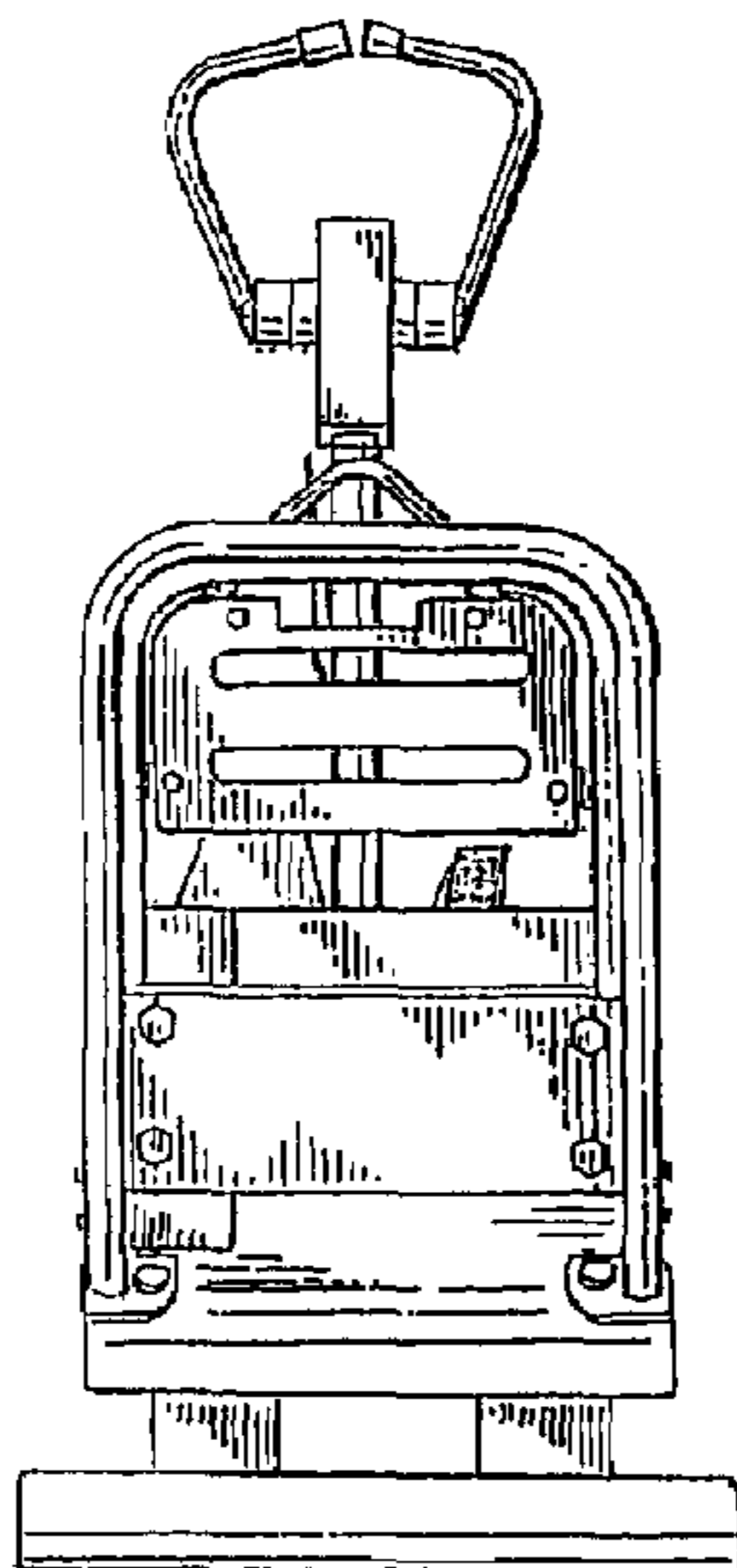
FIG. 6 is a left side view thereof;

FIG. 7 is a right side perspective view thereof;

FIG. 8 is a right side view thereof shown in use condition; and,

FIG. 9 is a right rear perspective view thereof shown in folded condition.

**1 Claim, 3 Drawing Sheets**



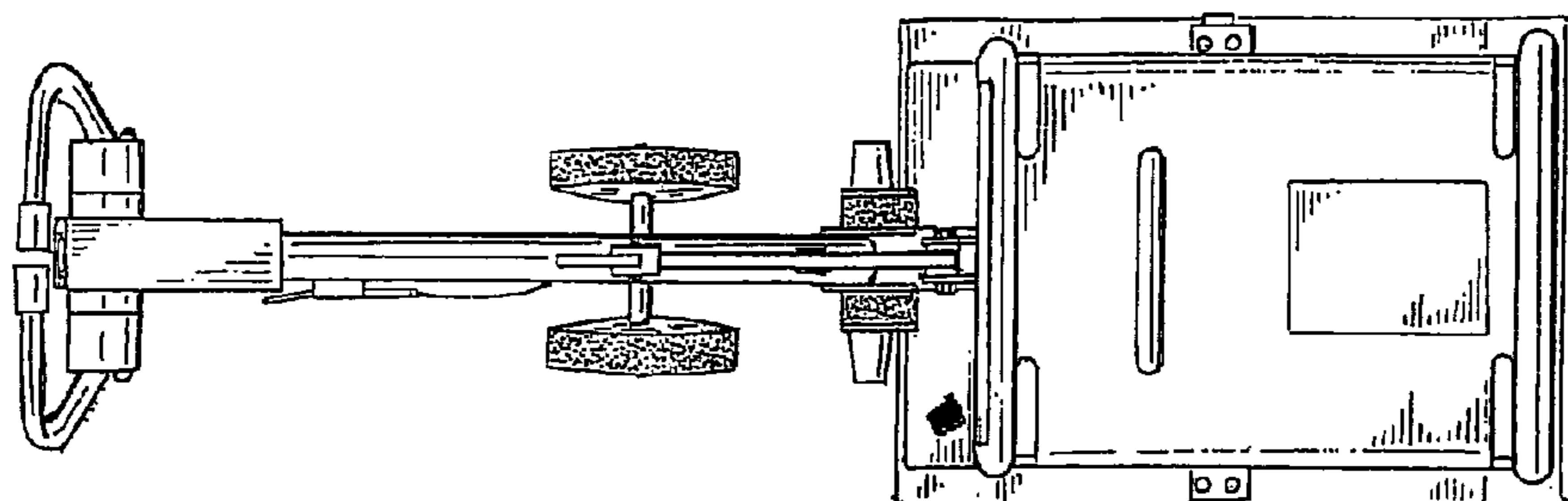


FIG.-3

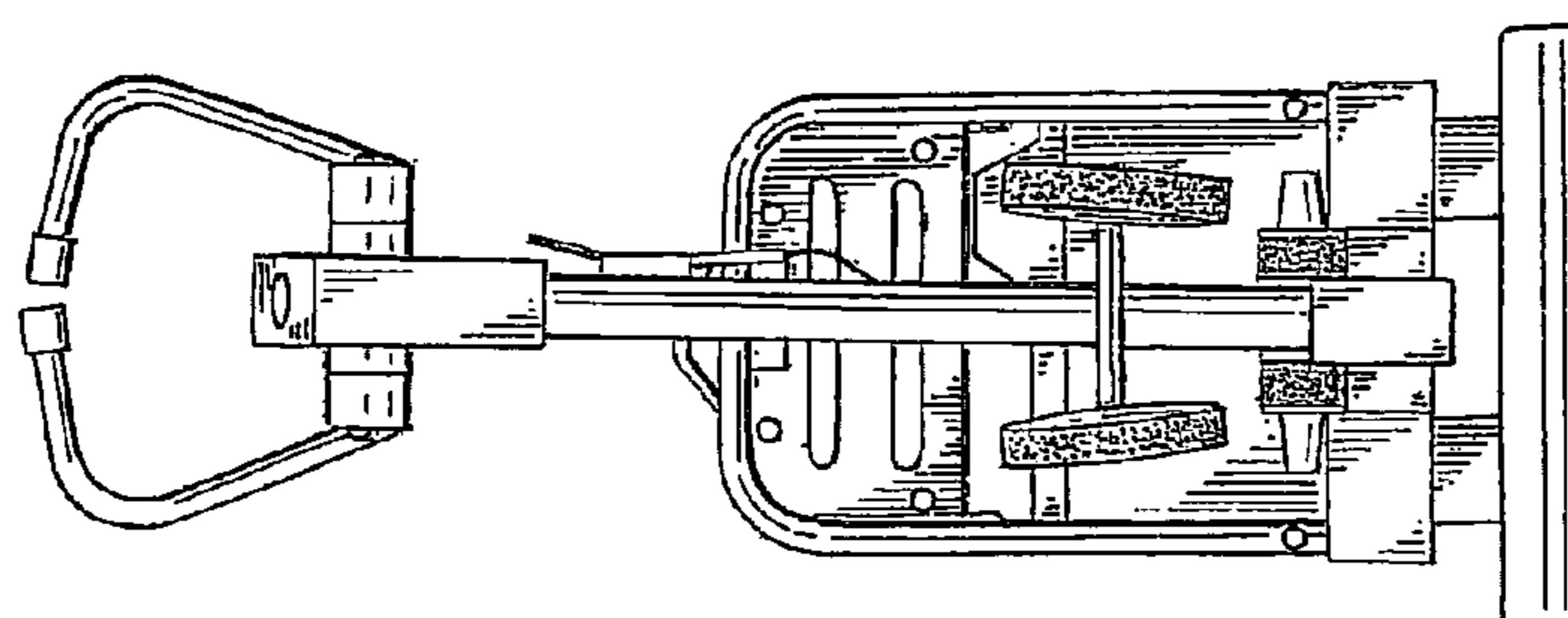


FIG.-2

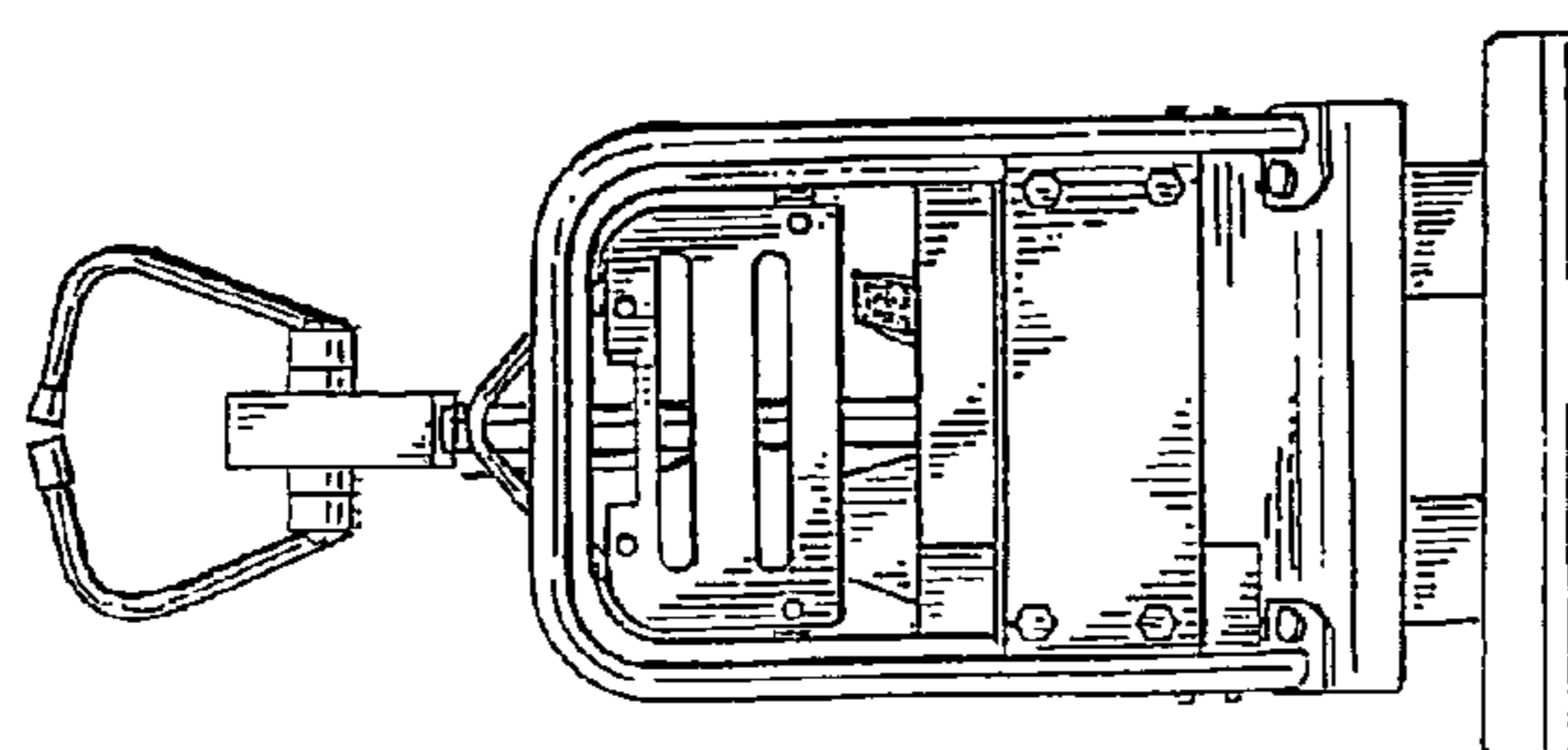


FIG.-1

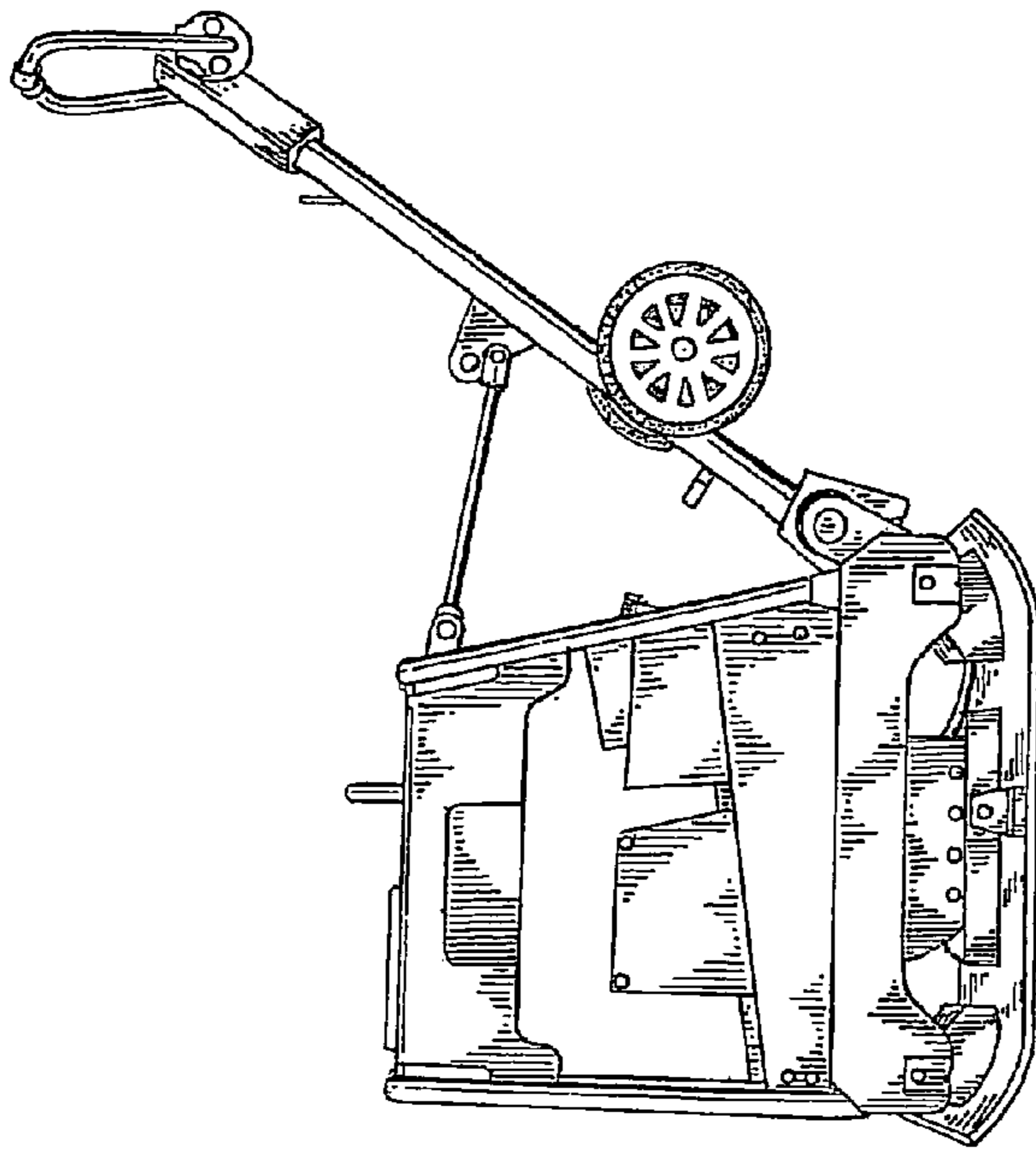


FIG. -6

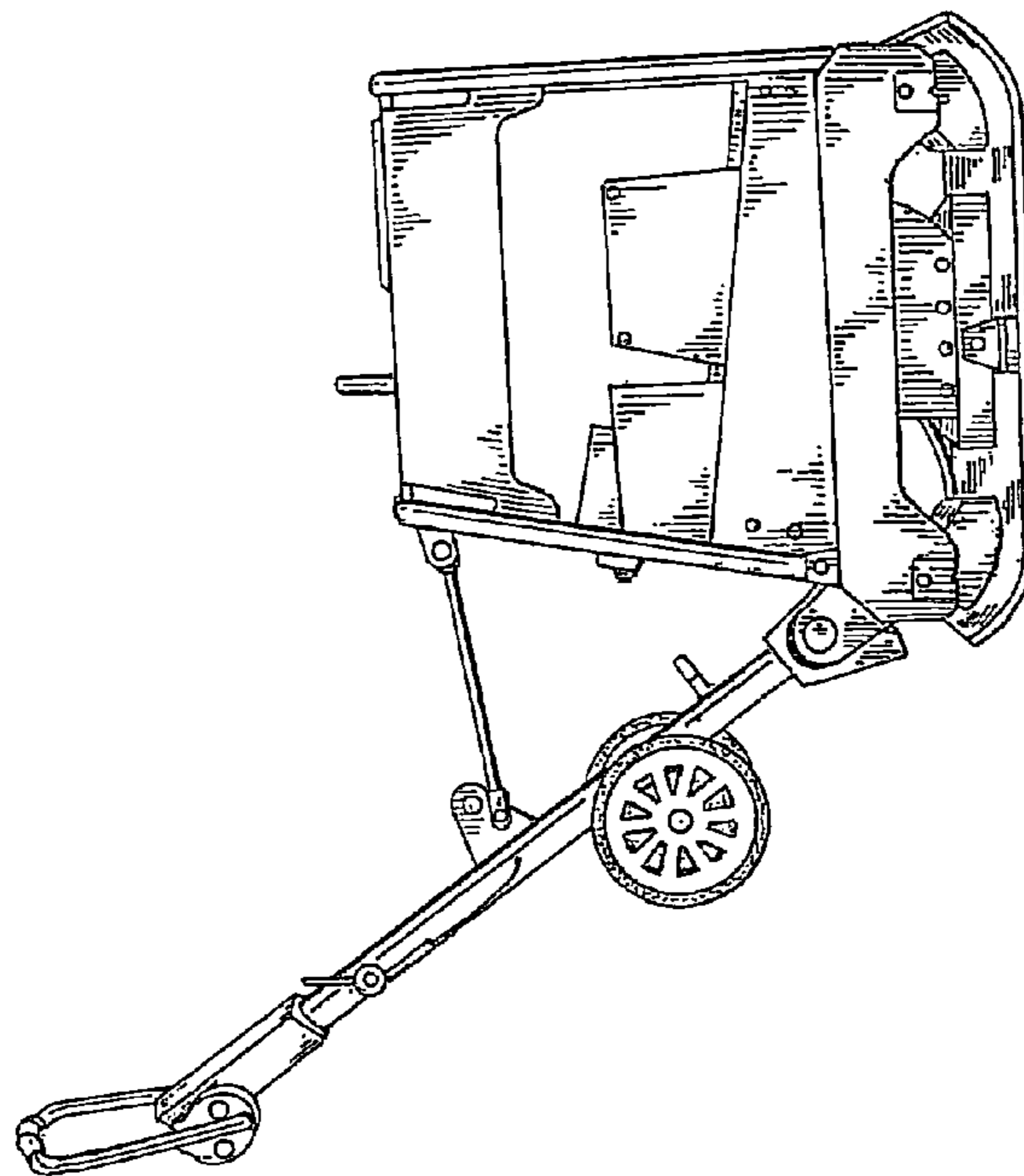


FIG. -5

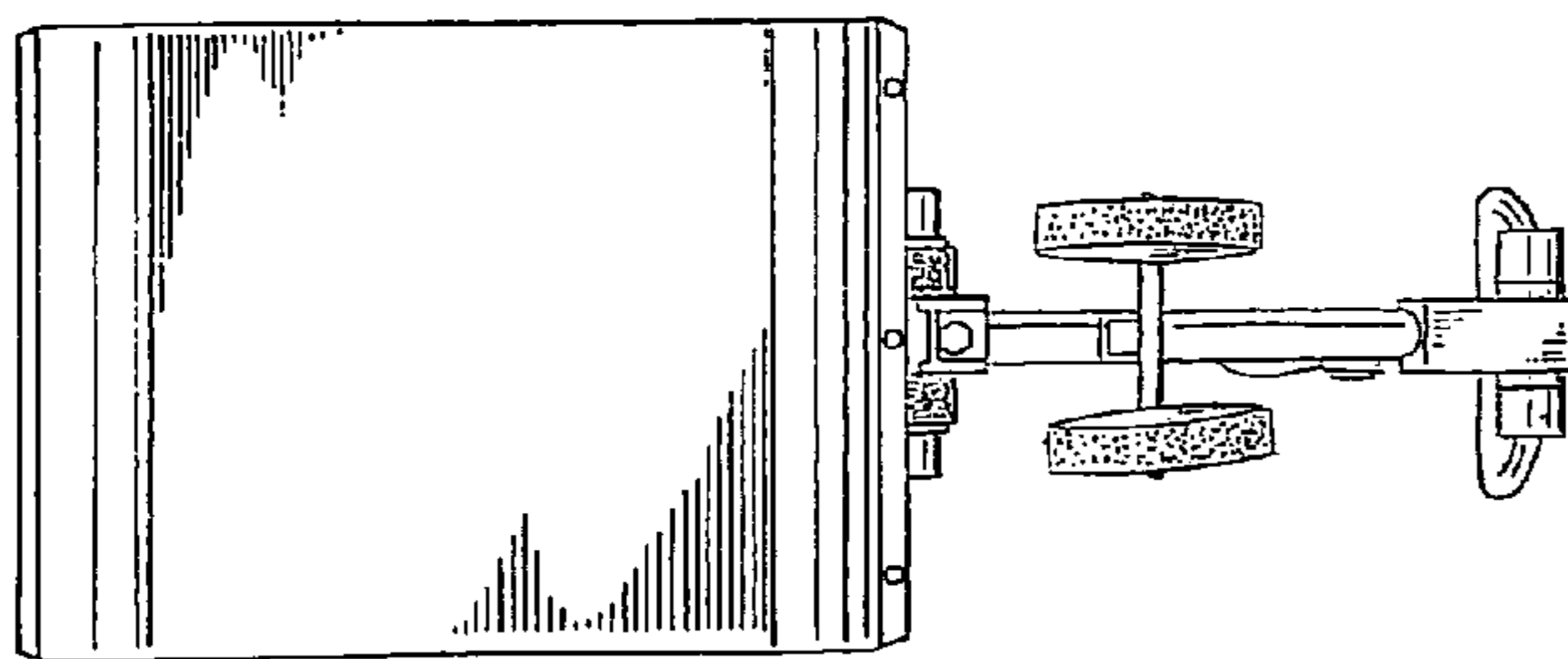


FIG. -4

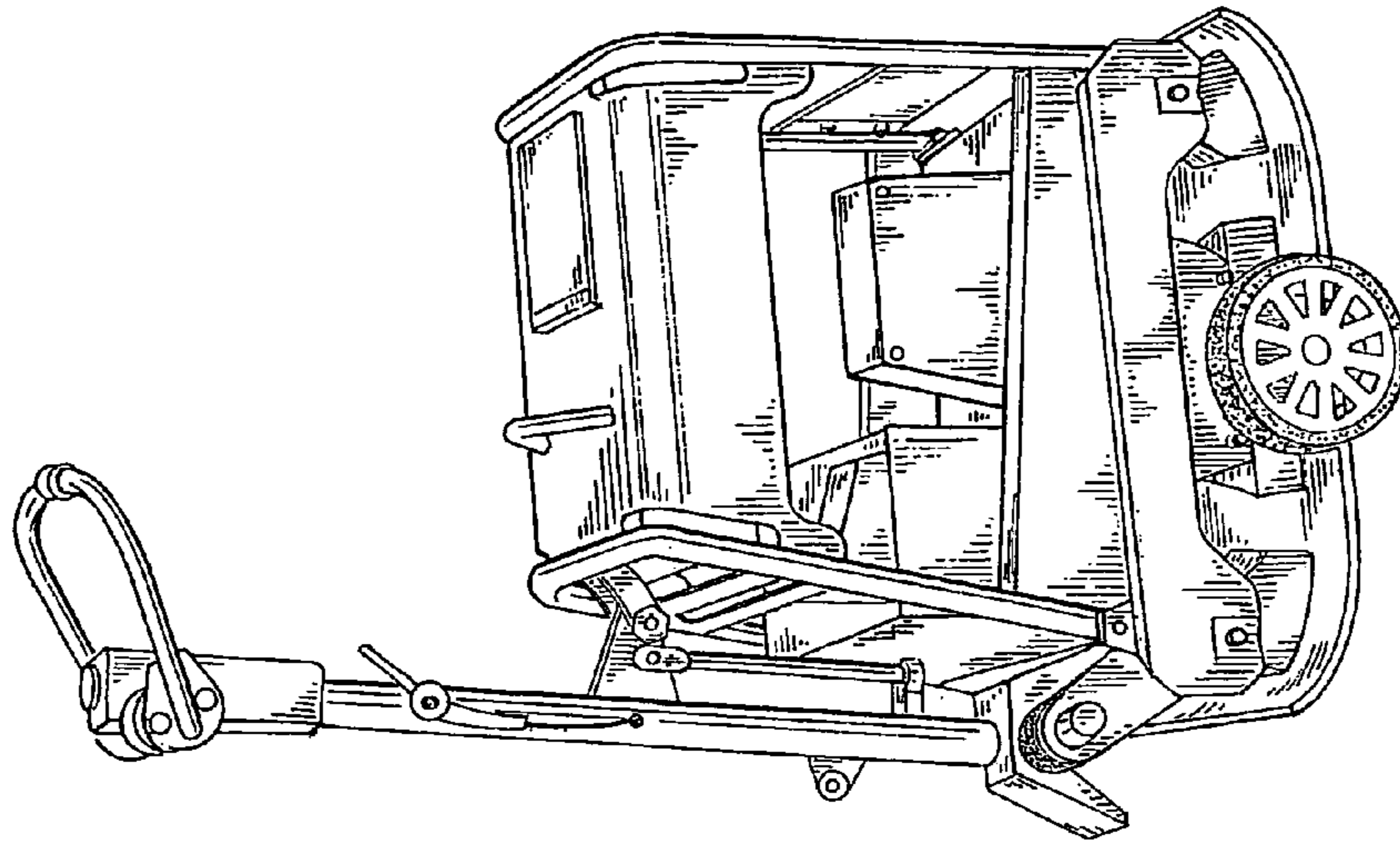


FIG. -9

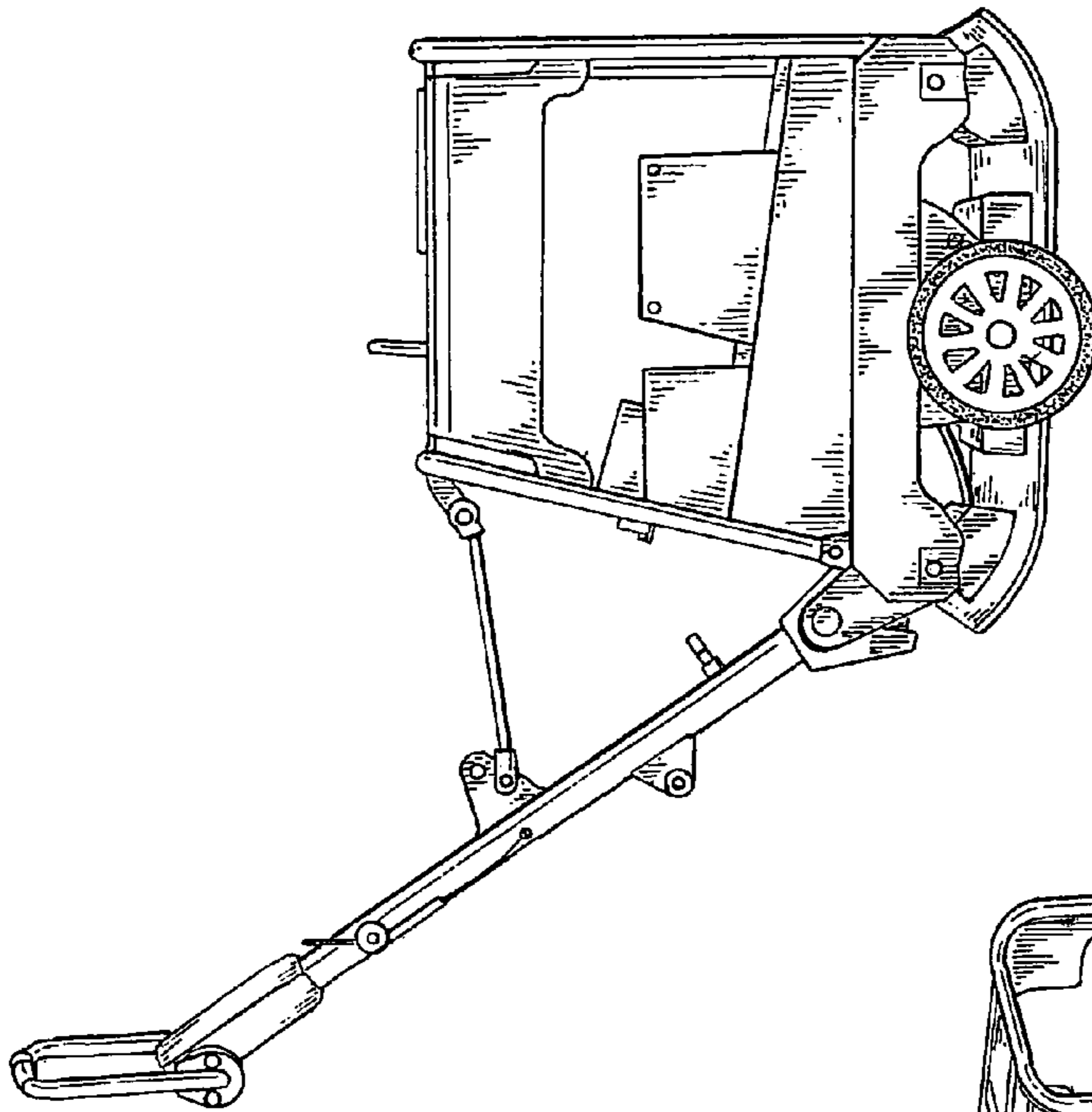


FIG. -8

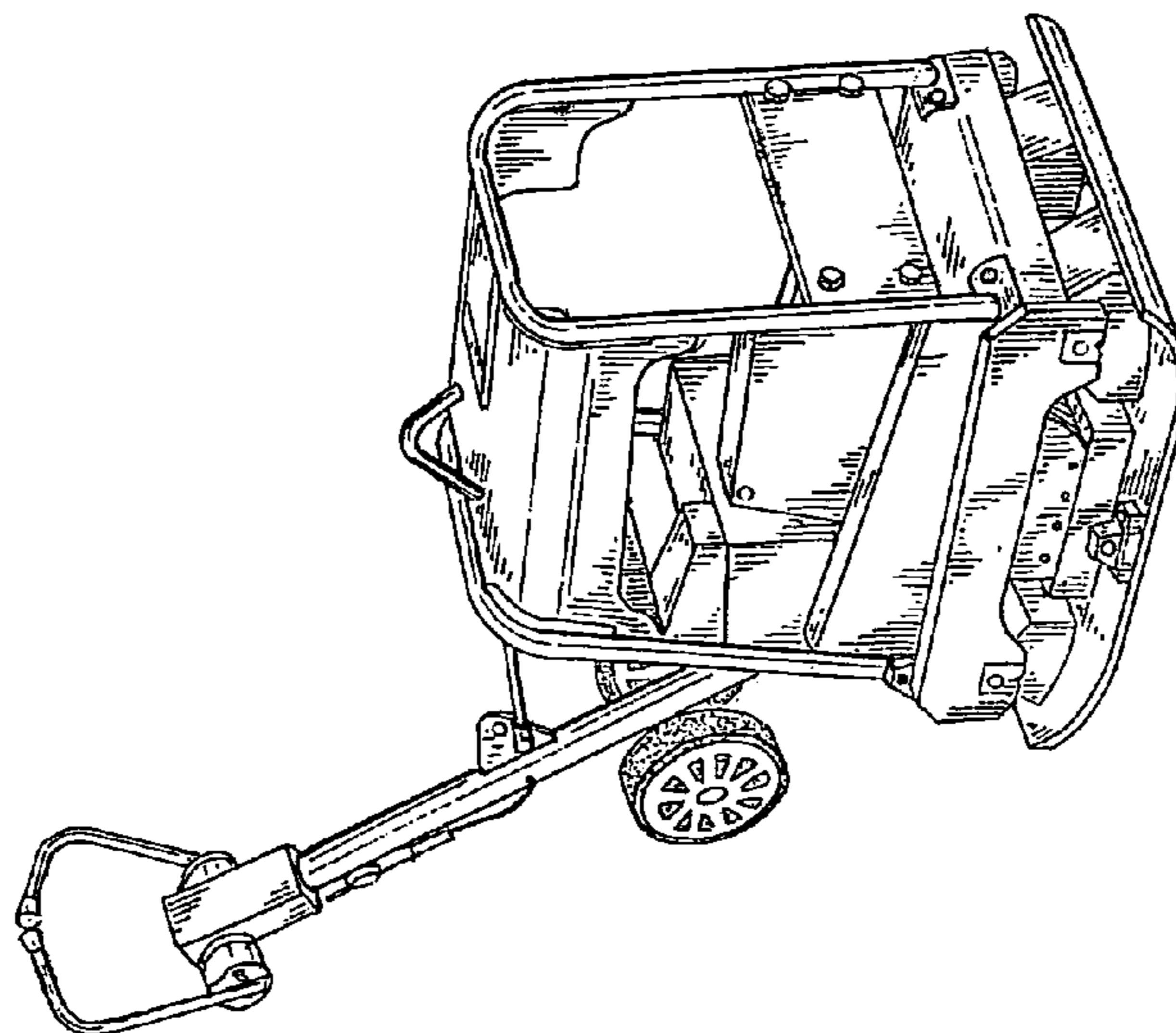


FIG. -7