



US00D604334S

(12) **United States Design Patent**
Hu

(10) **Patent No.:** **US D604,334 S**

(45) **Date of Patent:** **** Nov. 17, 2009**

(54) **FORWARD PLATE COMPACTOR**

(75) Inventor: **Hong Hu**, Hefei (CN)

(73) Assignee: **Masalta Engineering Co., Ltd.**, Hefei (CN)

(**) Term: **14 Years**

(21) Appl. No.: **29/310,904**

(22) Filed: **Sep. 17, 2008**

(30) **Foreign Application Priority Data**

Apr. 9, 2008 (CN) 2008 3 0026356

(51) **LOC (9) Cl.** **15-03**

(52) **U.S. Cl.** **D15/20**

(58) **Field of Classification Search** D15/20,
D15/10, 147; 404/113, 133.1, 133.05, 114,
404/117; 74/61; 173/113, 118; 172/699;
56/11.3

See application file for complete search history.

(56) **References Cited**

U.S. PATENT DOCUMENTS

- D183,297 S * 8/1958 Brown D15/20
- D197,360 S * 1/1964 Frohnauer, Jr. D15/20
- 3,279,338 A * 10/1966 Briggs et al. 404/113
- D215,497 S * 10/1969 Frohnauer, Jr. D15/20
- D227,166 S * 6/1973 Briggs et al. D15/20
- D227,598 S * 7/1973 Maass D15/20
- D235,374 S * 6/1975 Aiello D15/20
- D393,864 S * 4/1998 Waldenberger et al. D15/20
- 6,551,022 B1 * 4/2003 Stayner 404/133.1
- 6,588,977 B1 * 7/2003 Stayner 404/133.1
- D517,094 S * 3/2006 Stein et al. D15/20
- D518,070 S * 3/2006 Schennach D15/20

- D542,810 S * 5/2007 Tanaka et al. D15/20
- 7,303,356 B2 * 12/2007 Schennach et al. 404/133.1
- 2006/0083590 A1 * 4/2006 Schennach et al. 404/133.1
- 2008/0003058 A1 * 1/2008 Persson et al. 404/133.1
- 2008/0247824 A1 * 10/2008 Steffen 404/133.05
- 2009/0035065 A1 * 2/2009 Gavins 404/114

OTHER PUBLICATIONS

Masalta, Manufacture and Exporter, Light Construction Equipment & Accessories, Masalta Engineering Co., Ltd, catalog, pp. 12-15.

* cited by examiner

Primary Examiner—Stella M Reid

Assistant Examiner—Mark A Goodwin

(74) *Attorney, Agent, or Firm*—Hudak, Shunk & Farine Co. LPA

(57) **CLAIM**

I claim the ornamental design for a forward plate compactor, as shown and described.

DESCRIPTION

FIG. 1 is a front view of a forward plate compactor showing my new design;

FIG. 2 is a right front perspective view thereof;

FIG. 3 is a rear view thereof;

FIG. 4 is an enlarged rear view thereof showing area 4 of FIG. 3;

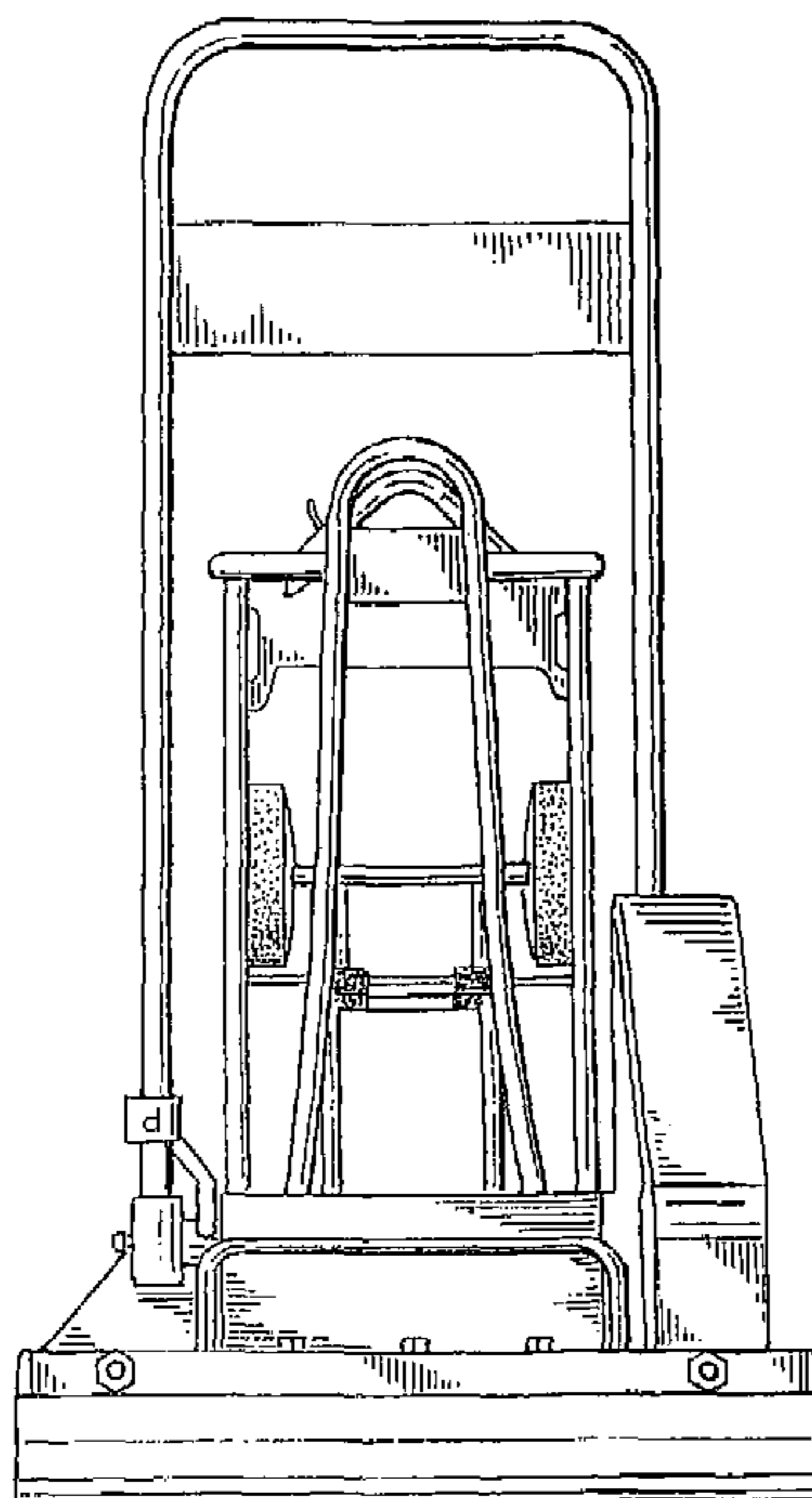
FIG. 5 is a right side view thereof;

FIG. 6 is a left side view thereof;

FIG. 7 is a bottom view thereof; and,

FIG. 8 is a top view thereof.

1 Claim, 3 Drawing Sheets



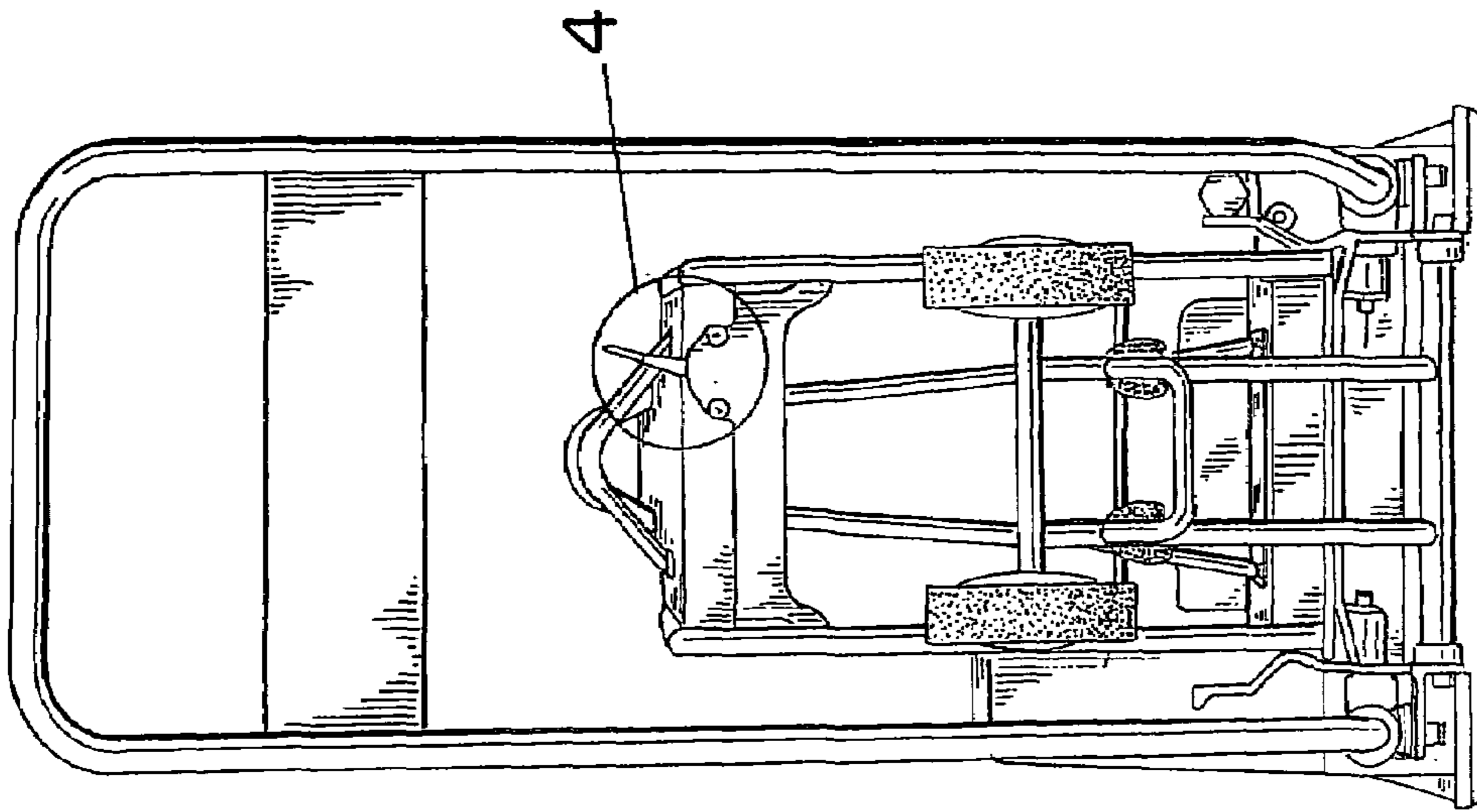


FIG. -3

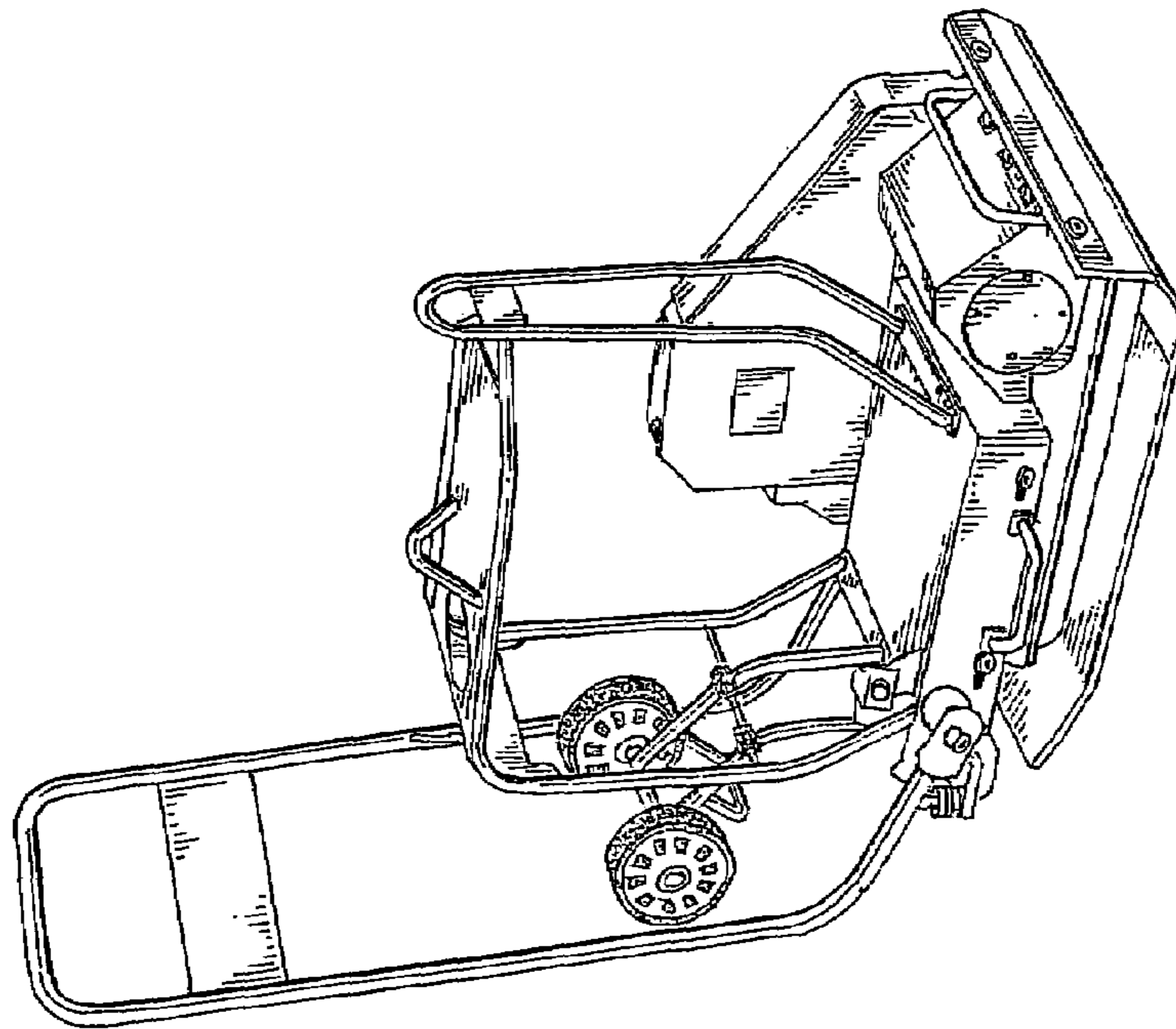


FIG. -2

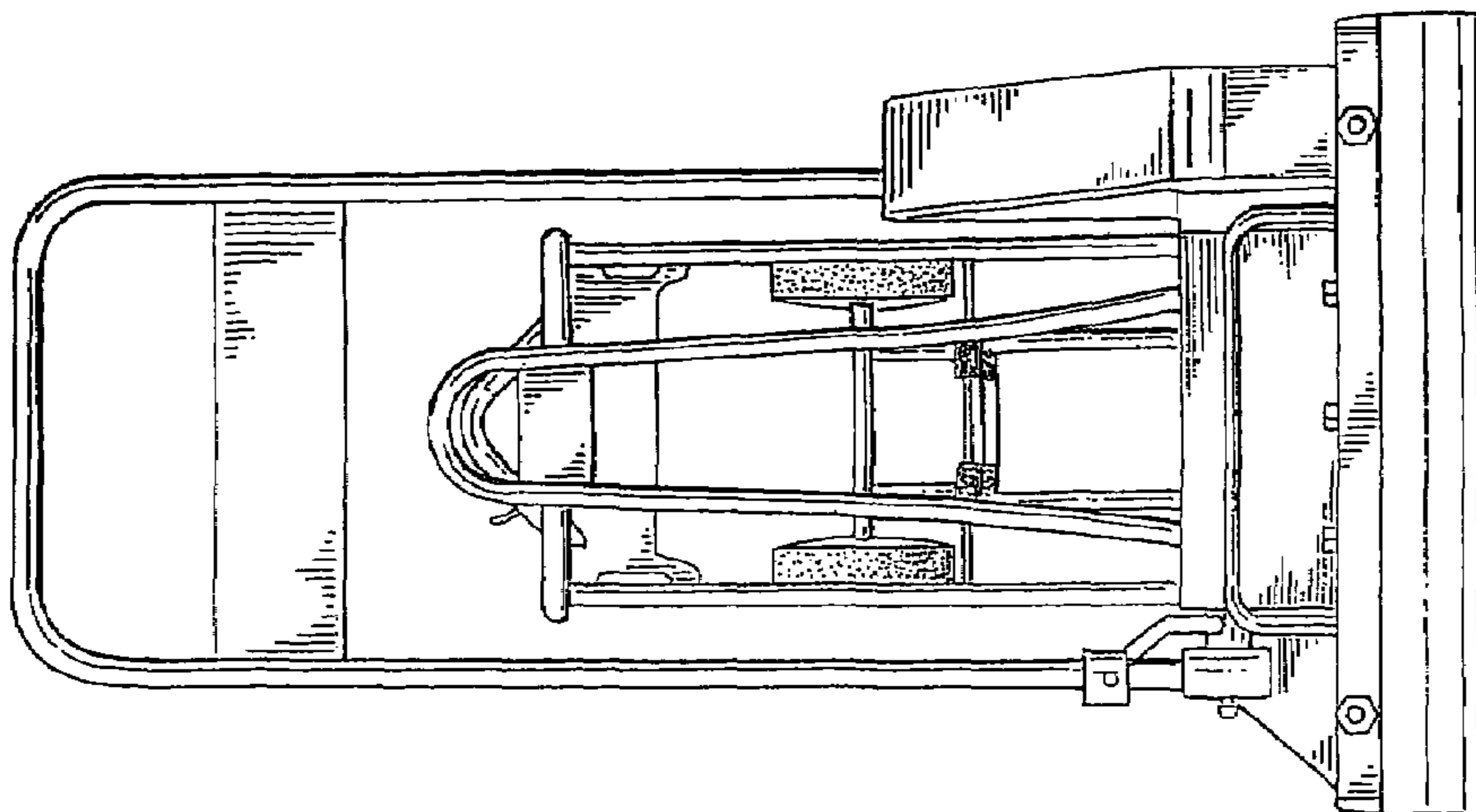


FIG. -1

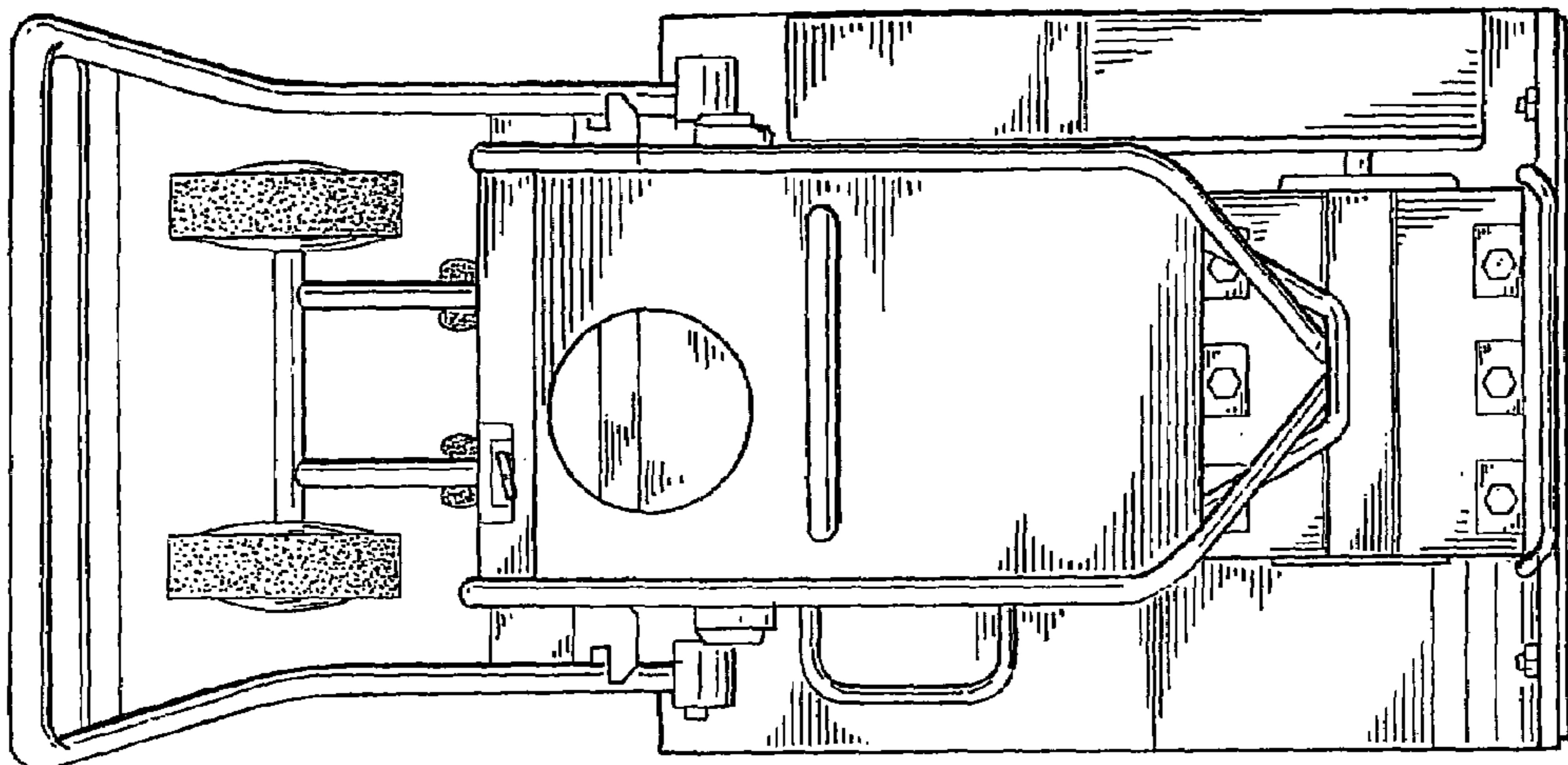


FIG. -8

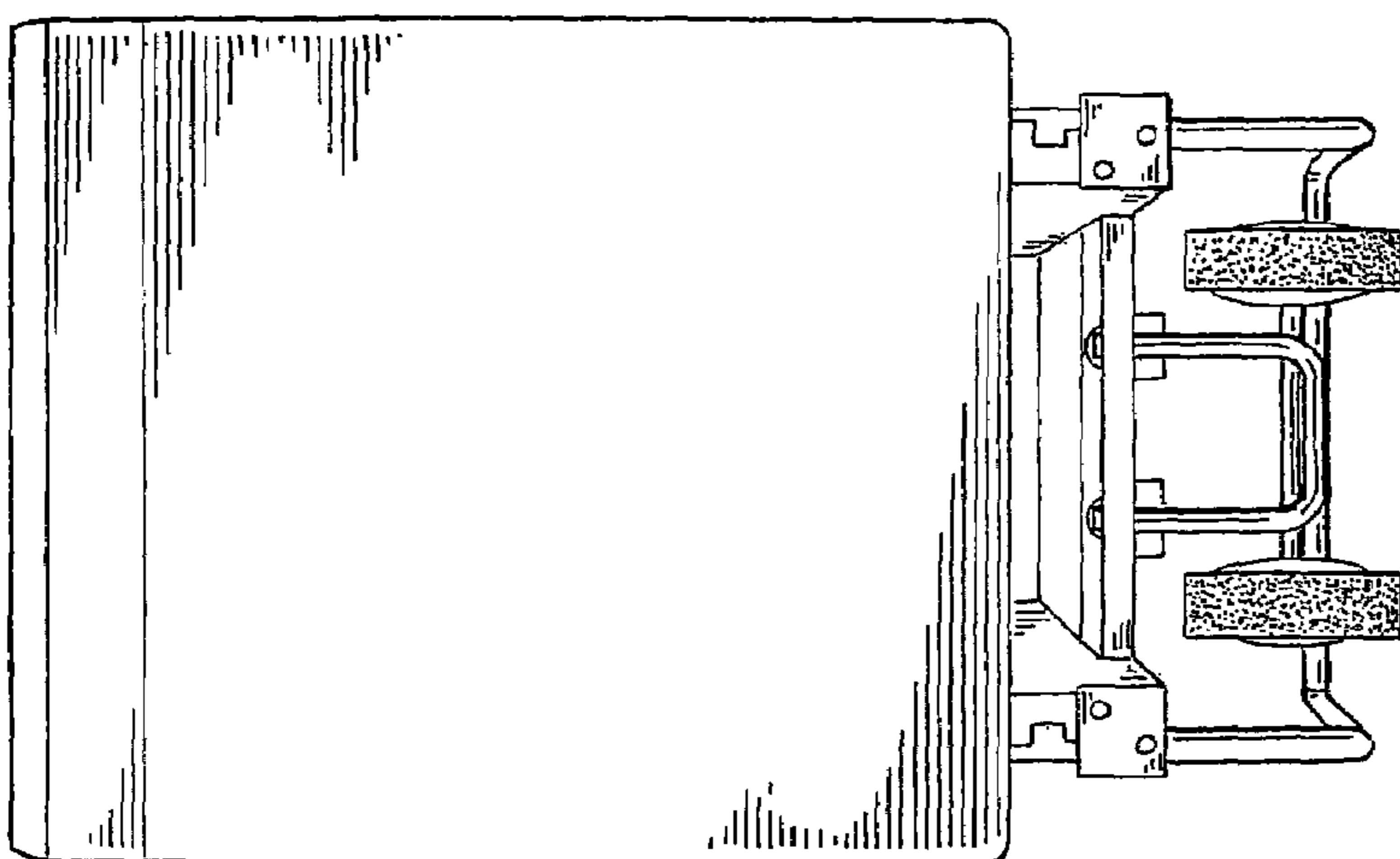


FIG. -7

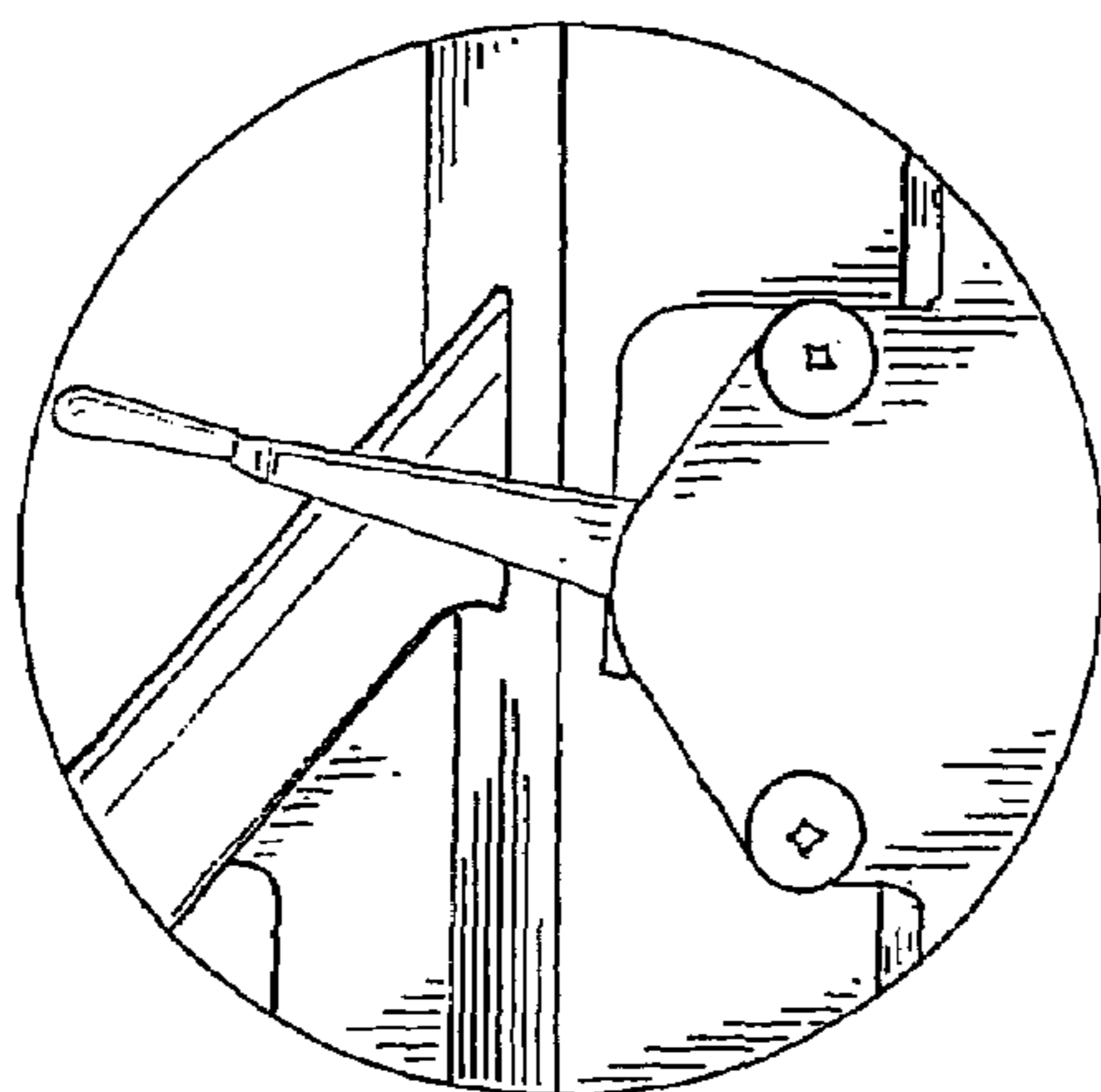


FIG. -4

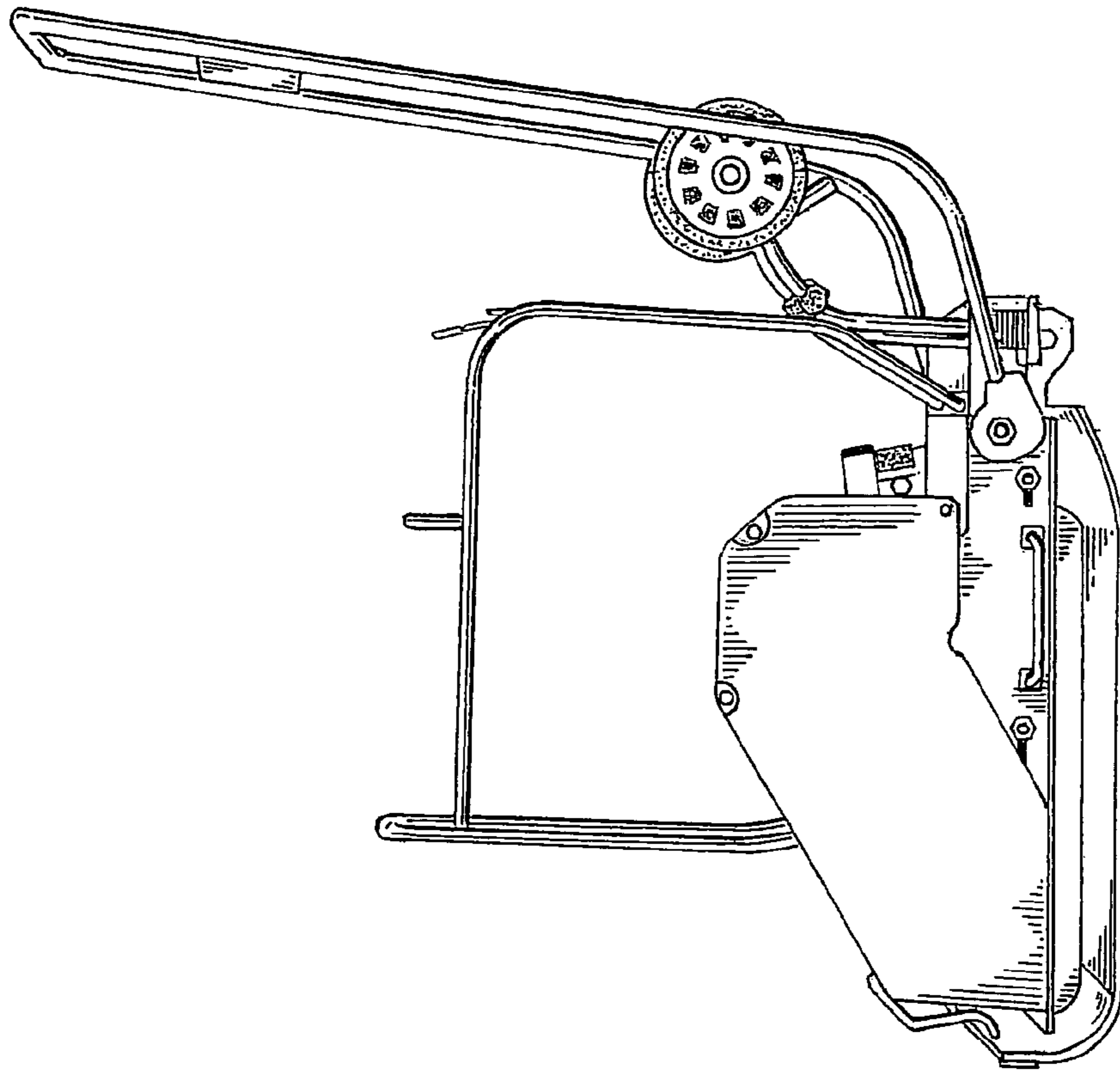


FIG. -6

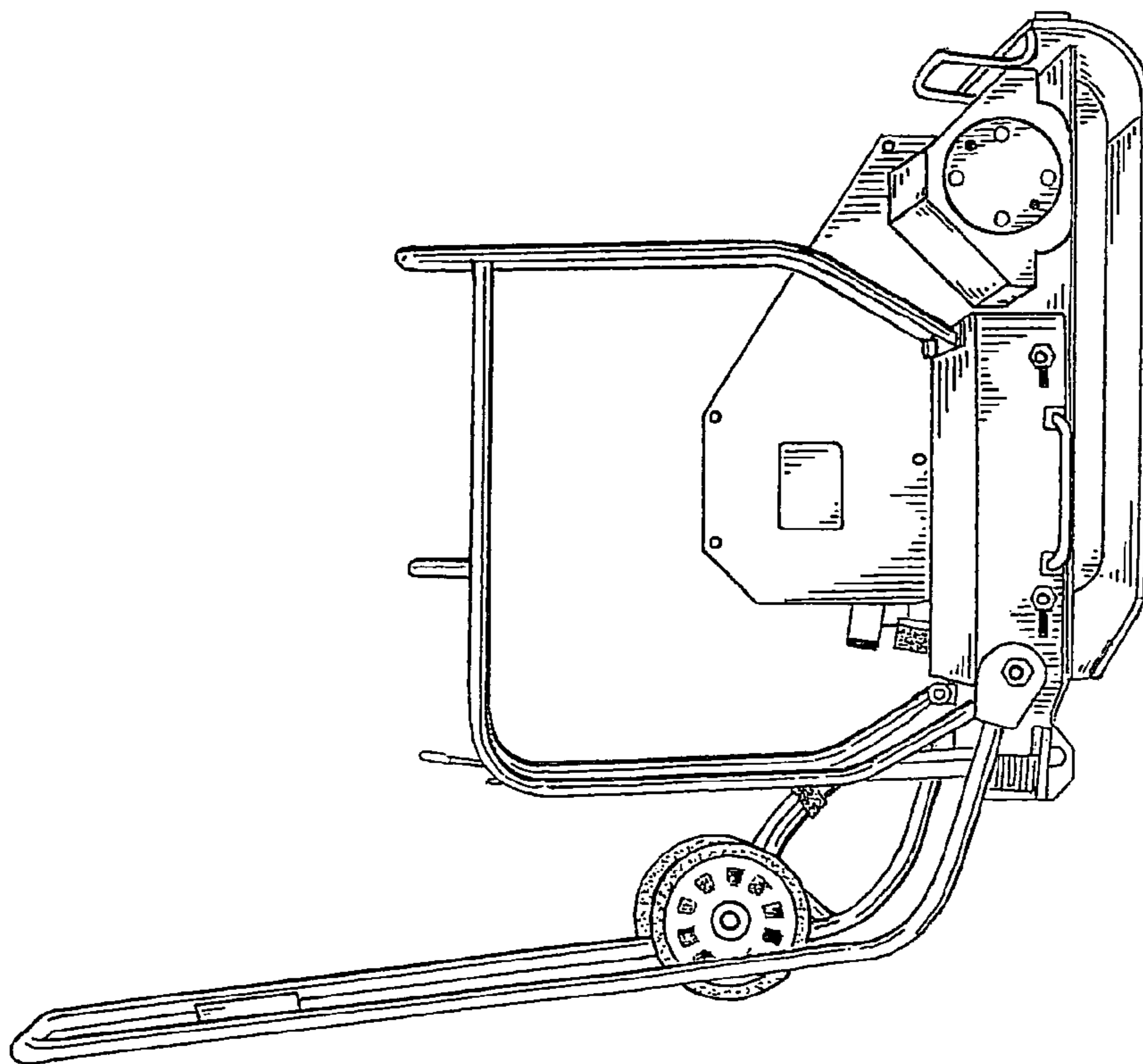


FIG. -5