



US00D604333S

(12) **United States Design Patent**  
**Yuzuriha et al.**

(10) **Patent No.:** **US D604,333 S**  
(45) **Date of Patent:** **\*\* Nov. 17, 2009**

(54) **SNOW PLOW AND/OR REPLICA THEREOF**

(75) Inventors: **Hiromi Yuzuriha**, Wako (JP); **Misako Hamani**, Wako (JP)

(73) Assignee: **Honda Motor Co., Ltd.**, Tokyo (JP)

(\*\*) Term: **14 Years**

(21) Appl. No.: **29/332,010**

(22) Filed: **Feb. 6, 2009**

(30) **Foreign Application Priority Data**

Aug. 8, 2008 (JP) ..... 2008-020562

(51) **LOC (9) Cl.** ..... **15-03**

(52) **U.S. Cl.** ..... **D15/12**

(58) **Field of Classification Search** ..... D15/10-13,  
D15/22, 24, 26; D32/15, 16; 37/241-251,  
37/254, 257, 258, 196, 220, 223, 248, 227,  
37/219, 234, 283, 403; 180/272, 19.3, 224.2;  
172/42, 245, 358, 364

See application file for complete search history.

(56) **References Cited**

**U.S. PATENT DOCUMENTS**

3,078,603	A *	2/1963	Ertsgaard et al.	37/252
D199,033	S *	9/1964	Brennan	D15/12
D201,287	S *	6/1965	Brennan	D15/12
3,580,351	A *	5/1971	Mollen	180/53.7
D241,762	S *	10/1976	Hinklin	D15/12
3,994,081	A *	11/1976	Middleton	37/273
4,011,668	A *	3/1977	Gunderson	37/260
4,023,287	A *	5/1977	de Brito	37/231
4,130,952	A *	12/1978	Dion	37/241
D251,786	S *	5/1979	Wildgen	D15/12
D262,797	S *	1/1982	Arthur et al.	D15/12
D269,092	S *	5/1983	Davies, III	D15/12
D270,057	S *	8/1983	Nakamura	D15/12
D305,125	S *	12/1989	Hinklin	D15/11
D307,912	S *	5/1990	Yoshida et al.	D15/12
D314,775	S *	2/1991	Yoshida et al.	D15/11
D324,524	S *	3/1992	Beihoffer	D15/11

5,123,186	A *	6/1992	Matshita et al.	37/251
5,174,053	A *	12/1992	Takeshita	37/258
5,410,824	A *	5/1995	Pedersen	37/242
5,438,770	A *	8/1995	Miller	37/227
5,758,436	A *	6/1998	Harms	37/249
5,966,846	A *	10/1999	Harms et al.	37/249
6,163,987	A *	12/2000	Schommer	37/407
6,170,179	B1 *	1/2001	Paytas et al.	37/246
D448,389	S *	9/2001	Katoh et al.	D15/12
D457,171	S *	5/2002	Fowler	D15/11
6,508,018	B1 *	1/2003	O'Brien	37/223
6,513,267	B2 *	2/2003	Yoshida et al.	37/283
D494,193	S *	8/2004	Martin et al.	D15/12
D498,770	S *	11/2004	Yuzuriha	D15/12
D500,053	S *	12/2004	Yuzuriha et al.	D15/12

(Continued)

*Primary Examiner*—Stella M Reid

*Assistant Examiner*—Mark A Goodwin

(74) *Attorney, Agent, or Firm*—Westerman, Hattori, Daniels & Adrian, LLP.

(57) **CLAIM**

The ornamental design for a snow plow and/or replica thereof, as shown and described.

**DESCRIPTION**

FIG. 1 is a front, elevation view of a snow plow and/or replica thereof showing our new design;

FIG. 2 is a rear, elevation view thereof;

FIG. 3 is a top, plan view thereof;

FIG. 4 is a bottom, plan view thereof;

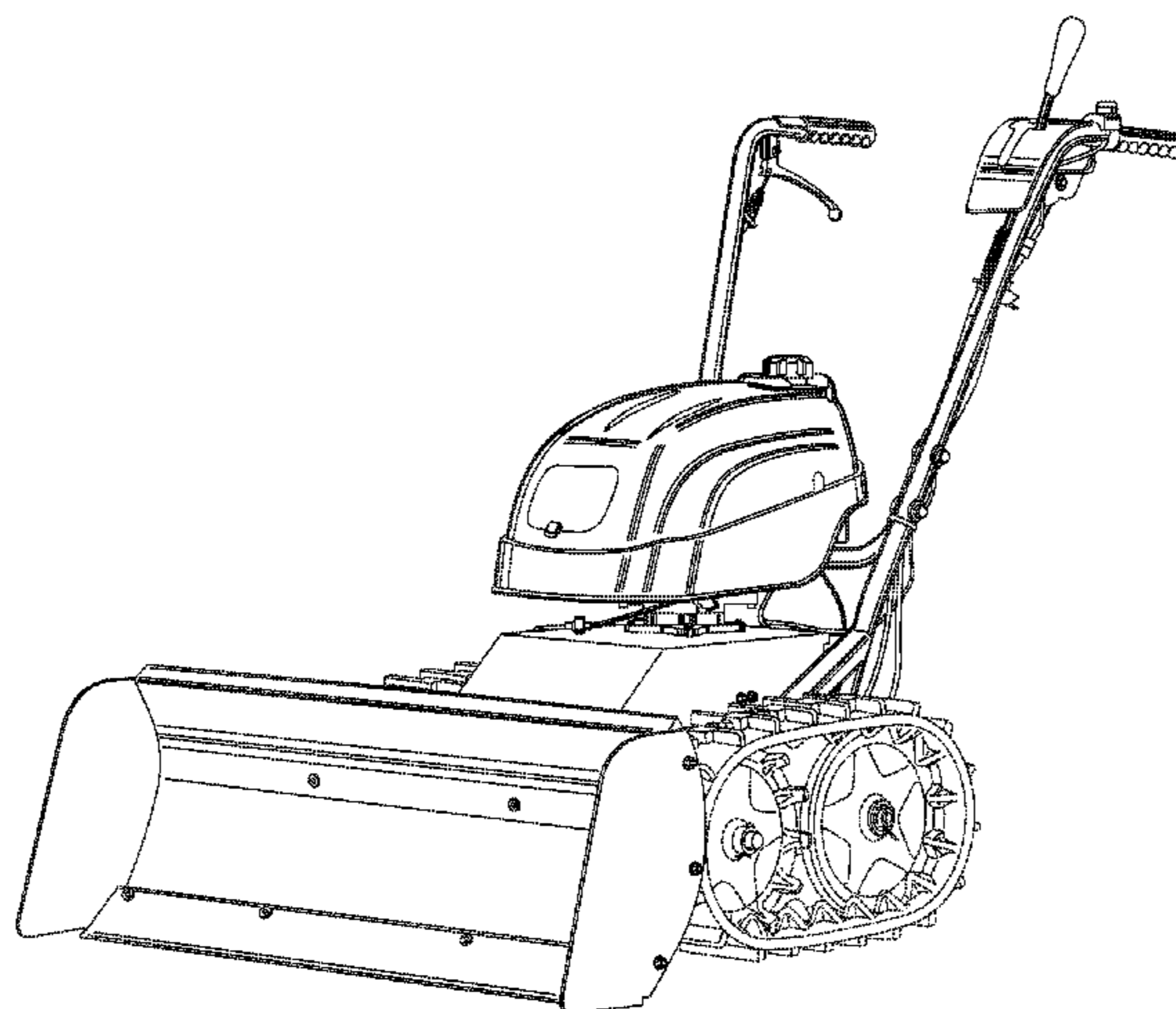
FIG. 5 is a right-side, elevation view thereof;

FIG. 6 is a left-side, elevation view thereof; and,

FIG. 7 is a left-front perspective view thereof.

The broken line showing of the endless track assembly is included for the purpose of illustrating portions of the snow plow and/or replica thereof and forms no part of the claimed design.

**1 Claim, 7 Drawing Sheets**



# US D604,333 S

Page 2

---

## U.S. PATENT DOCUMENTS

7,059,071	B2 *	6/2006	Hanafusa et al. ....	37/249	2004/0149456	A1 *	8/2004	Jolliff et al. ....	172/42
D554,155	S *	10/2007	Yuzuriha .....	D15/12	2004/0194353	A1 *	10/2004	Hoerle et al. ....	37/219
7,343,994	B2 *	3/2008	Wakitani et al. ....	180/65.265	2005/0019173	A1 *	1/2005	Wakitani et al. ....	417/313
2003/0159317	A1 *	8/2003	Dowe et al. ....	37/257	2007/0056191	A1 *	3/2007	Hoerle et al. ....	37/227
2003/0221399	A1 *	12/2003	Hall .....	56/2	2009/0038184	A1 *	2/2009	Kornienko .....	37/197

\* cited by examiner

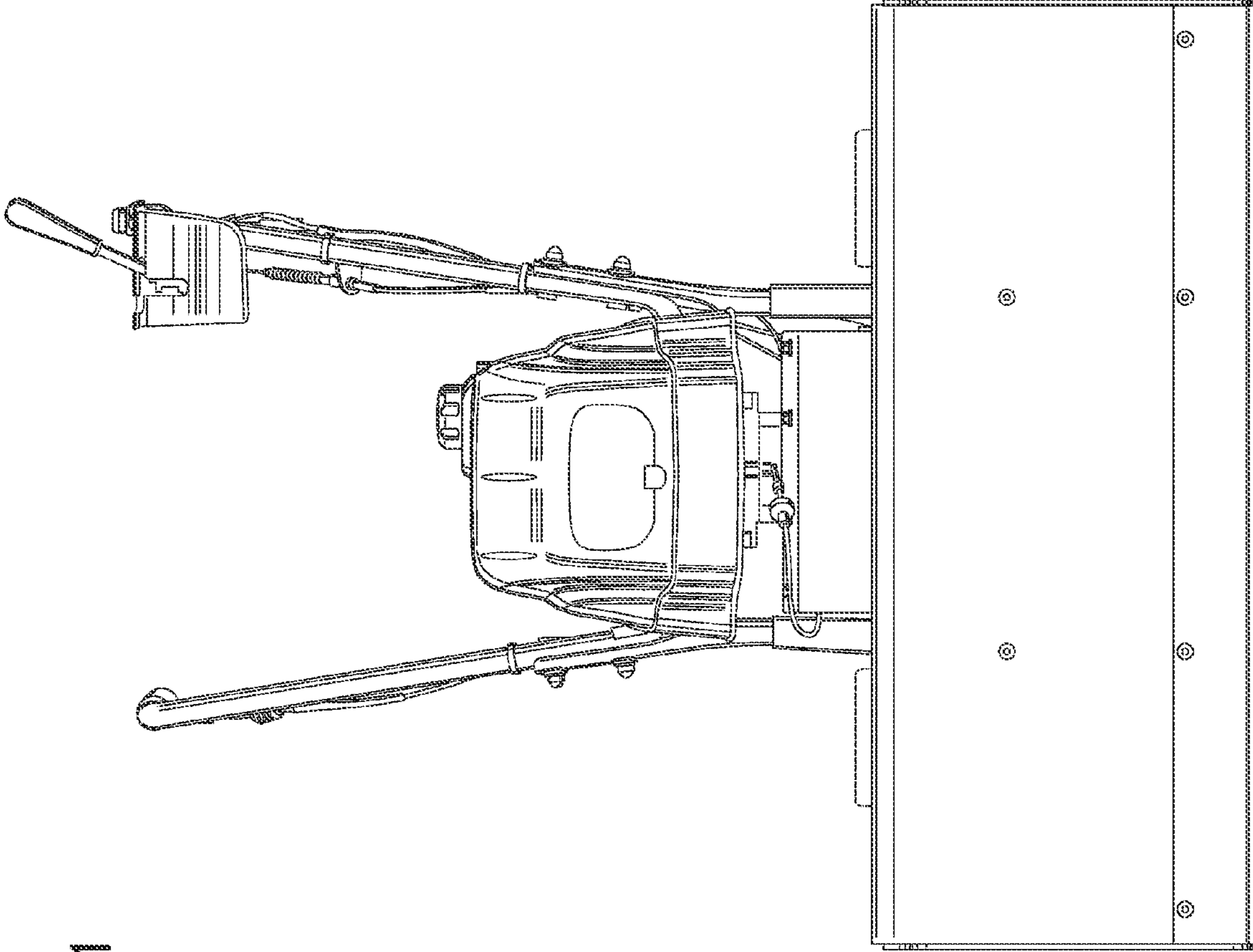


FIG.1

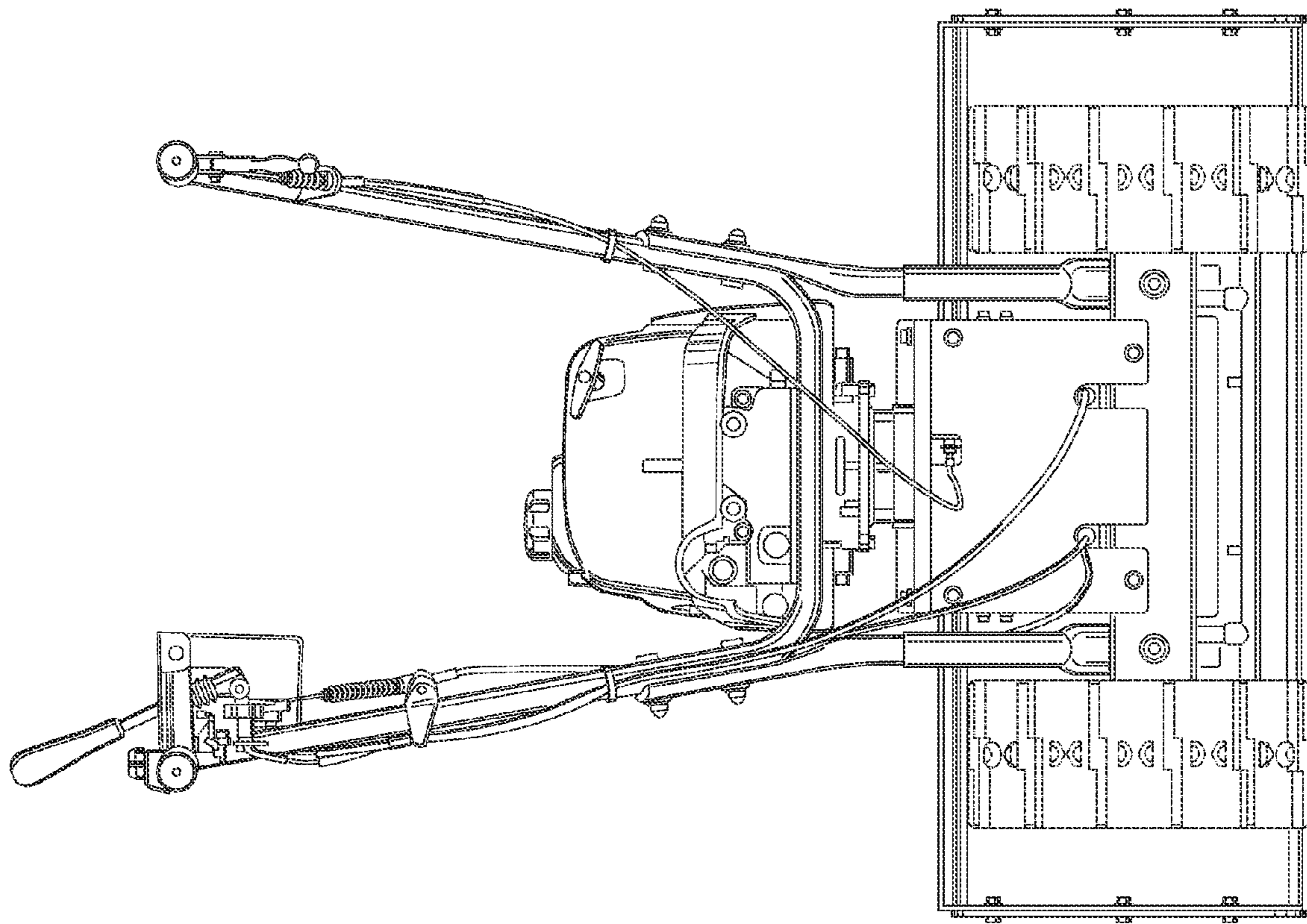


FIG.2

FIG. 3

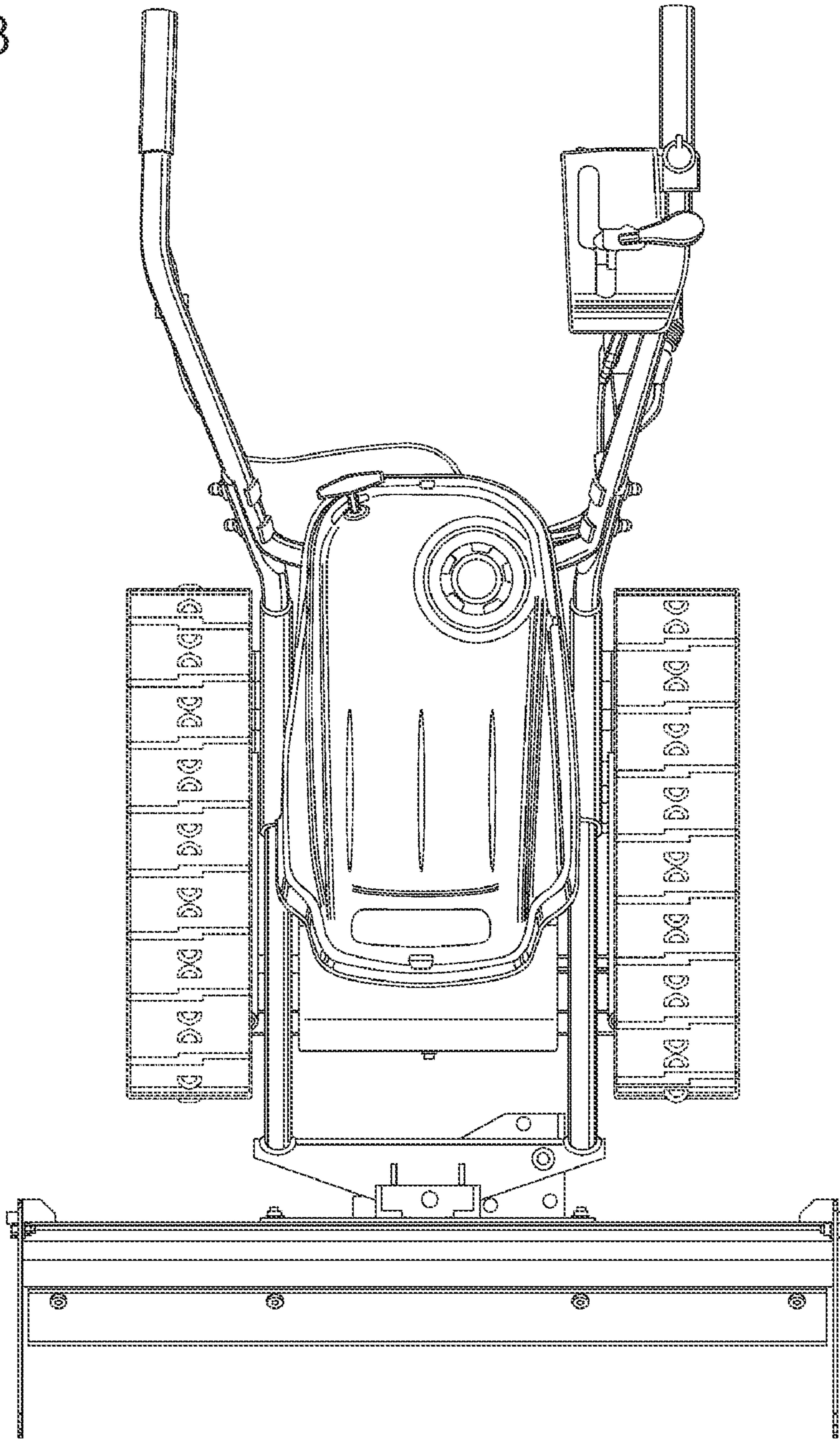
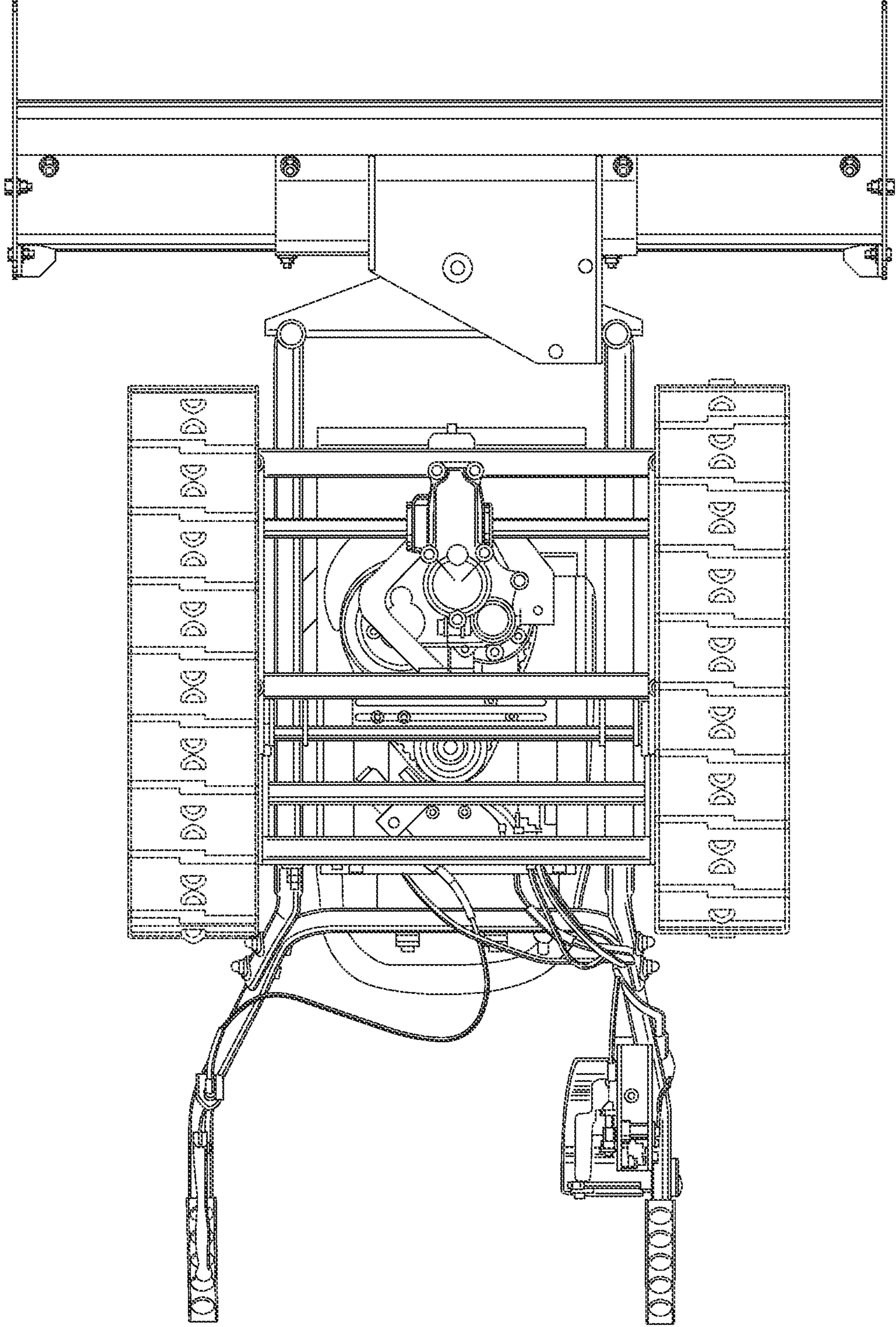


FIG.4



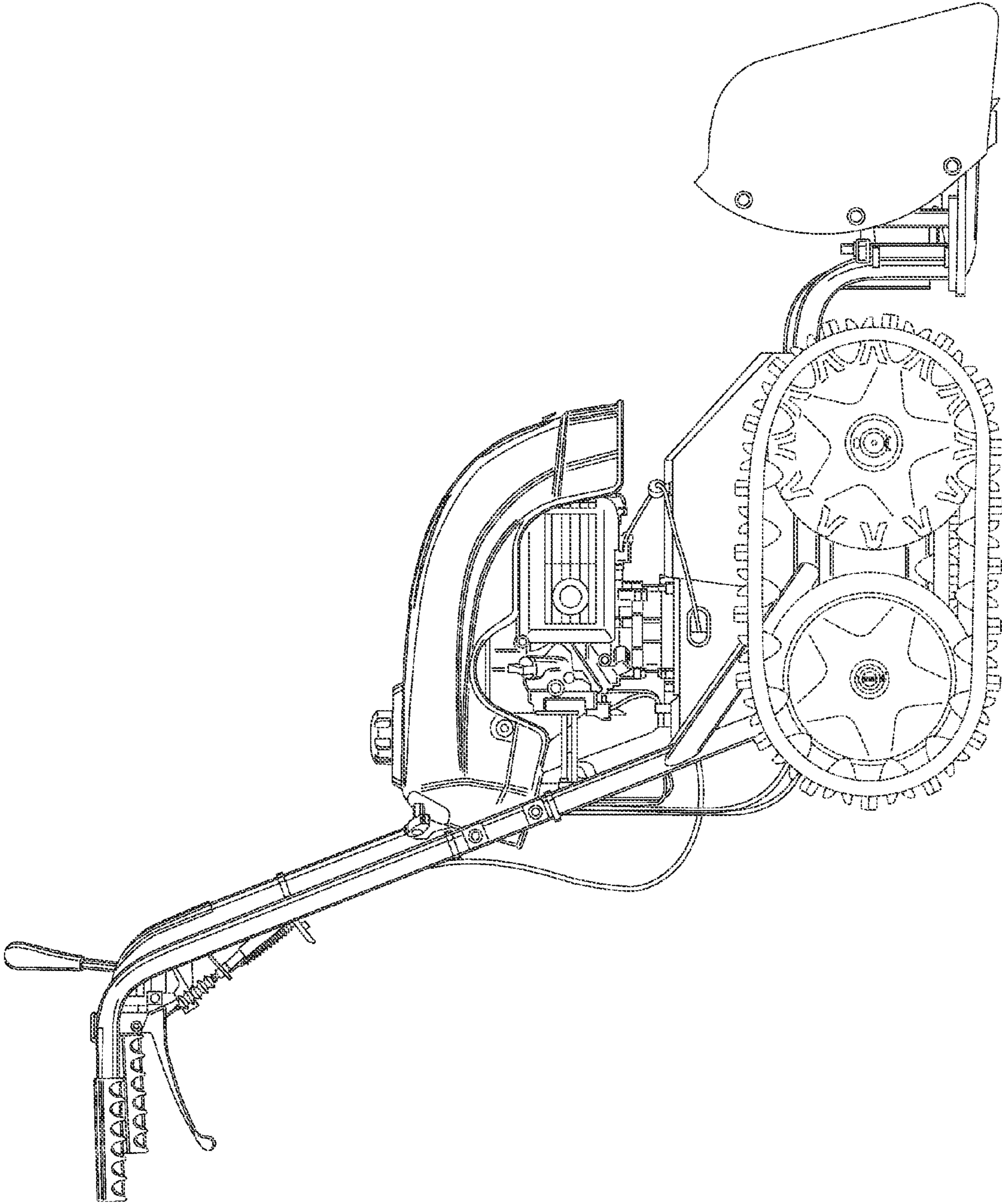


FIG. 5

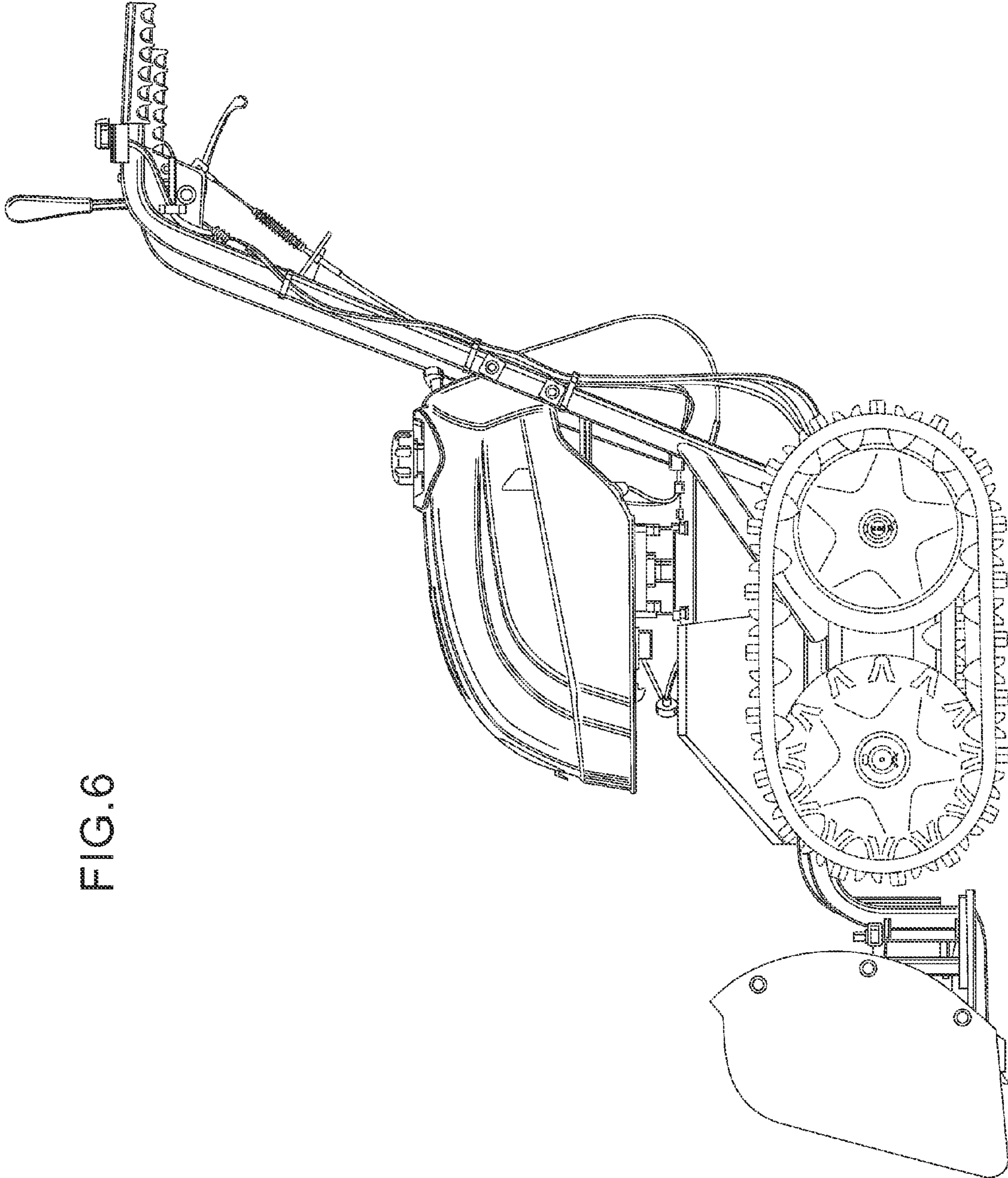


FIG.6



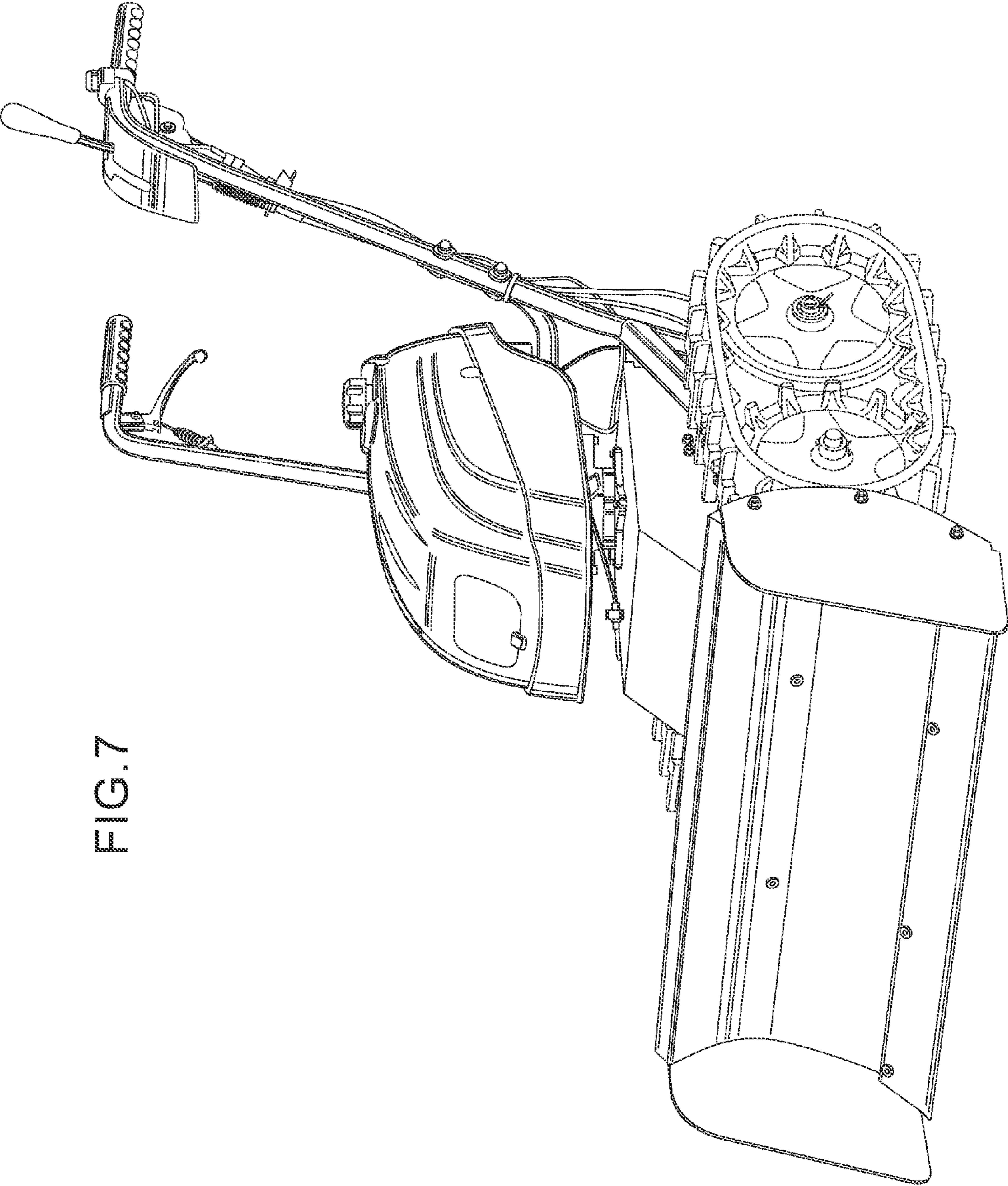


FIG.7