



US00D604332S

(12) **United States Design Patent**
Tokunaga et al.

(10) **Patent No.:** **US D604,332 S**

(45) **Date of Patent:** **** Nov. 17, 2009**

(54) **PUMP**

(75) Inventors: **Ryohei Tokunaga**, Kurume (JP);
Masahiro Hirata, Dazaifu (JP);
Hidetoshi Ueda, Fukuoka (JP)

(73) Assignee: **Panasonic Electric Works Co., Ltd.**,
Osaka (JP)

(**) Term: **14 Years**

(21) Appl. No.: **29/313,990**

(22) Filed: **Feb. 24, 2009**

(30) **Foreign Application Priority Data**

Aug. 25, 2008 (JP) 2008-021700

(51) **LOC (9) Cl.** **15-02**

(52) **U.S. Cl.** **D15/7**

(58) **Field of Classification Search** D15/7-9;
D23/231, 232, 225; 417/410.1, 359, 415-416,
417/234, 321, 265, 405

See application file for complete search history.

(56) **References Cited**

U.S. PATENT DOCUMENTS

D490,442 S * 5/2004 Kuboshima et al. D15/7
D498,241 S * 11/2004 Song et al. D15/7
D520,024 S * 5/2006 Chen D15/7
D559,269 S * 1/2008 Wu D15/7
D581,434 S * 11/2008 Hamagishi et al. D15/7

D582,944 S * 12/2008 Turgut D15/7
D592,681 S * 5/2009 Hamagishi et al. D15/7

* cited by examiner

Primary Examiner—R. Seifert

(74) *Attorney, Agent, or Firm*—Osha • Liang LLP

(57) **CLAIM**

The ornamental design for a pump, as shown and described.

DESCRIPTION

FIG. 1 is a front, left, top, perspective view of a design for use as a pump.

FIG. 2 is a front, right, top, perspective view of the design according to the invention.

FIG. 3 is a front view of the design according to the invention.

FIG. 4 is a left side view of the design according to the invention.

FIG. 5 is a top view of the design according to the invention.

FIG. 6 is a rear view of the design according to the invention.

FIG. 7 is a right side view of the design according to the invention.

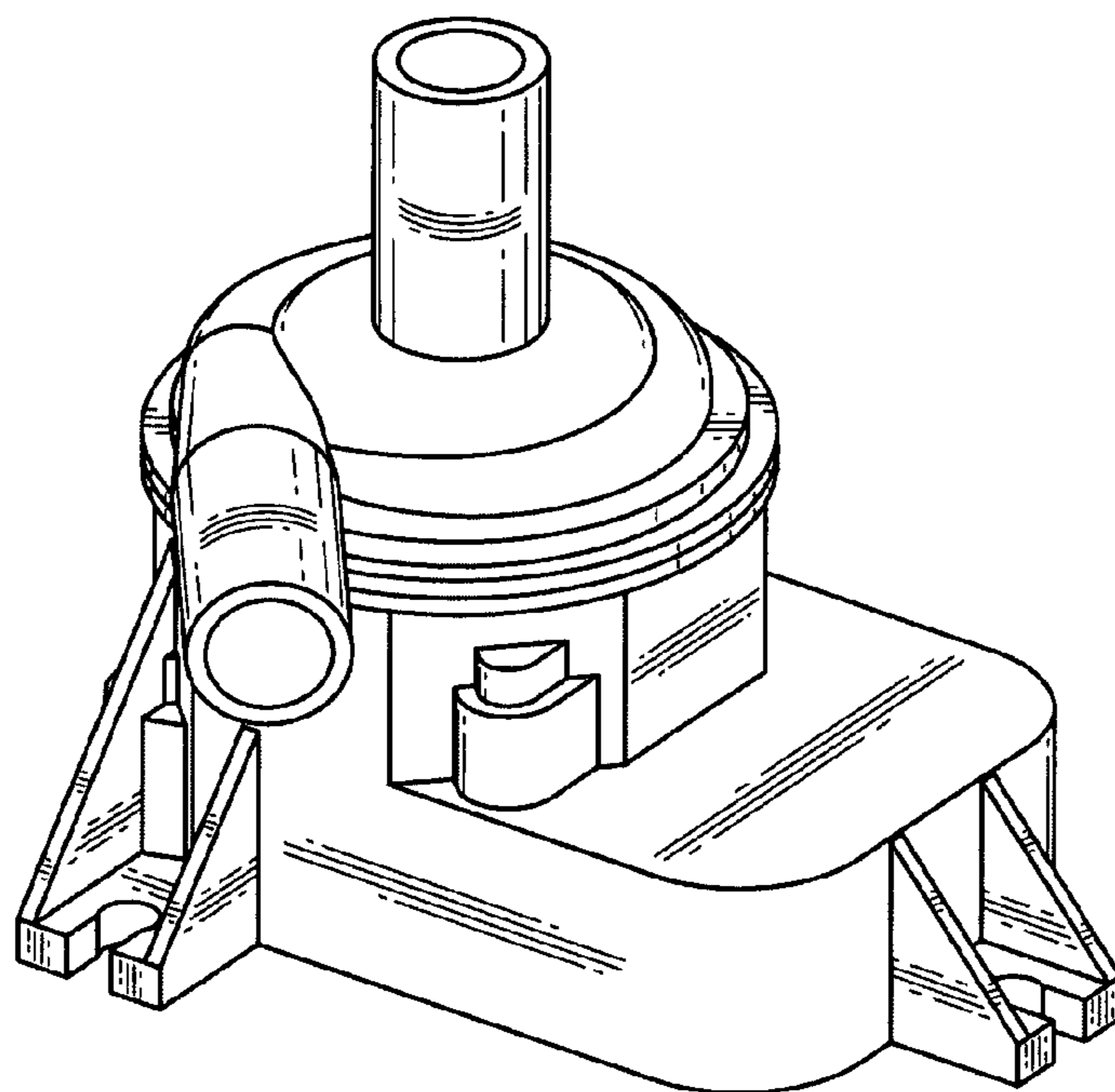
FIG. 8 is a bottom view of the design according to the invention.

FIG. 9 is a sectional view at cross-section 9—9 of FIG. 7, in which the internal components are omitted; and,

FIG. 10 is a sectional view at cross-section 10—10 of FIG. 3, in which the internal components are omitted.

The elements shown in broken lines are for illustrative purposes only and form no part of the claimed invention.

1 Claim, 5 Drawing Sheets



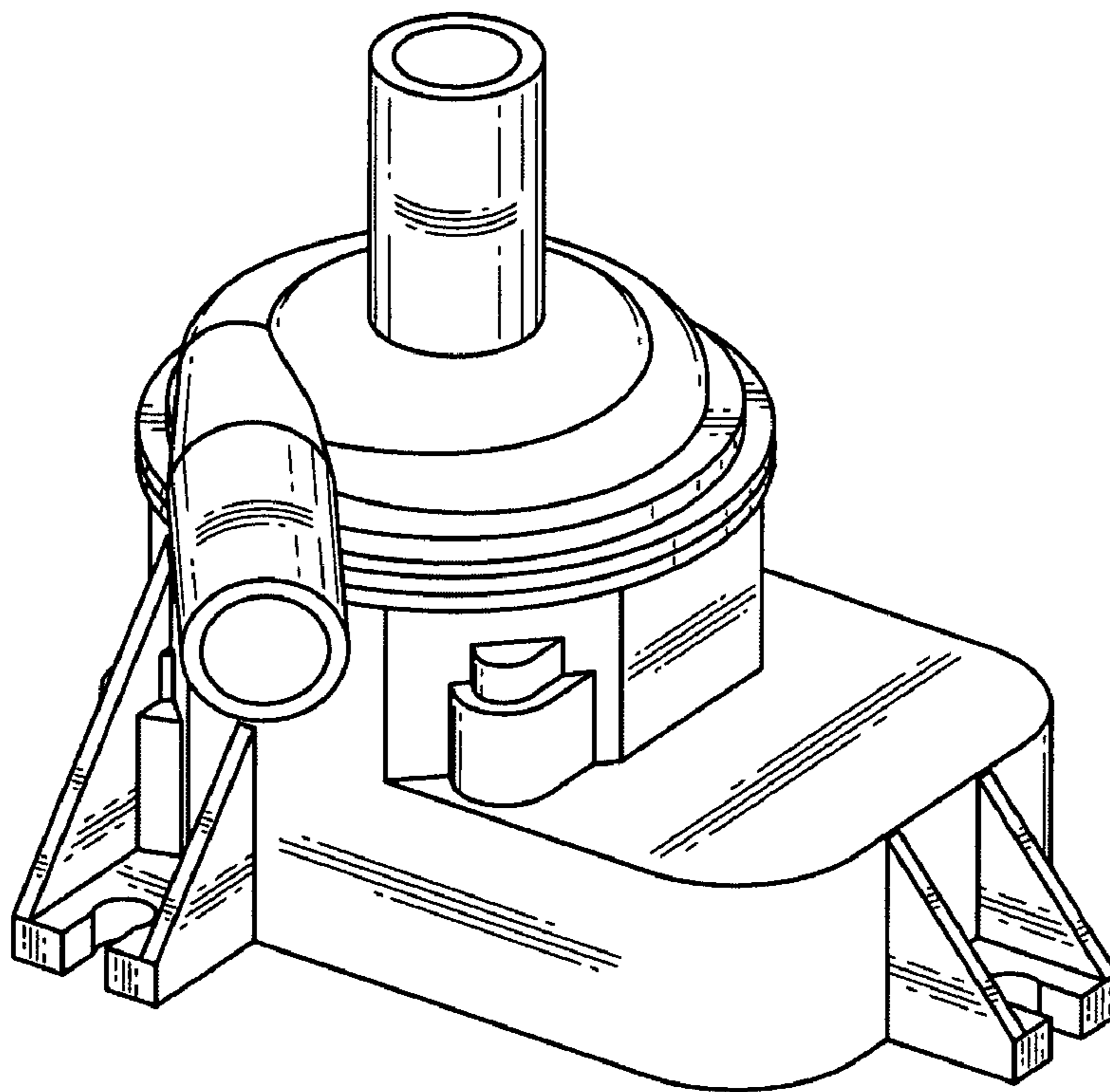


FIG. 1

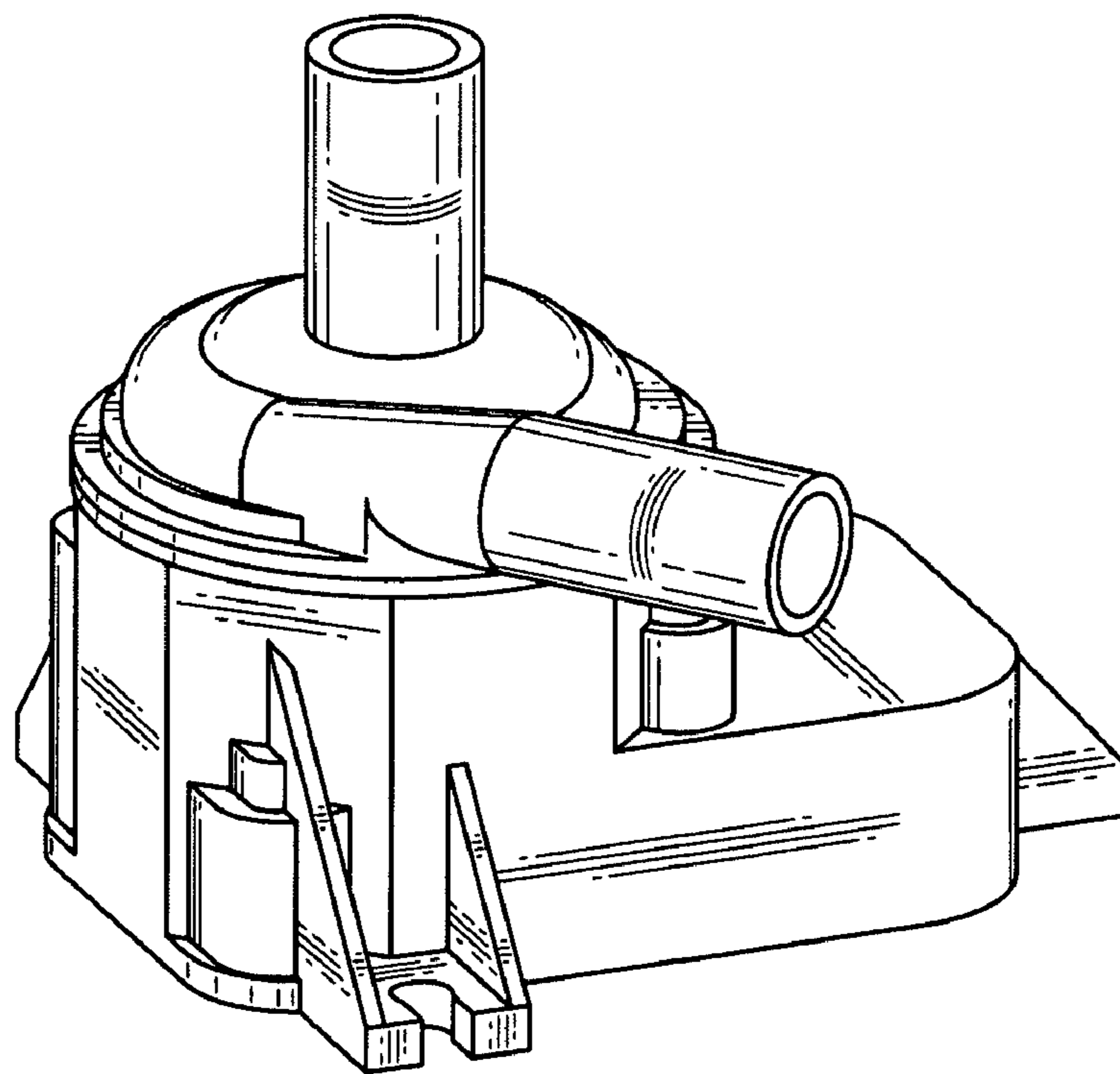


FIG. 2

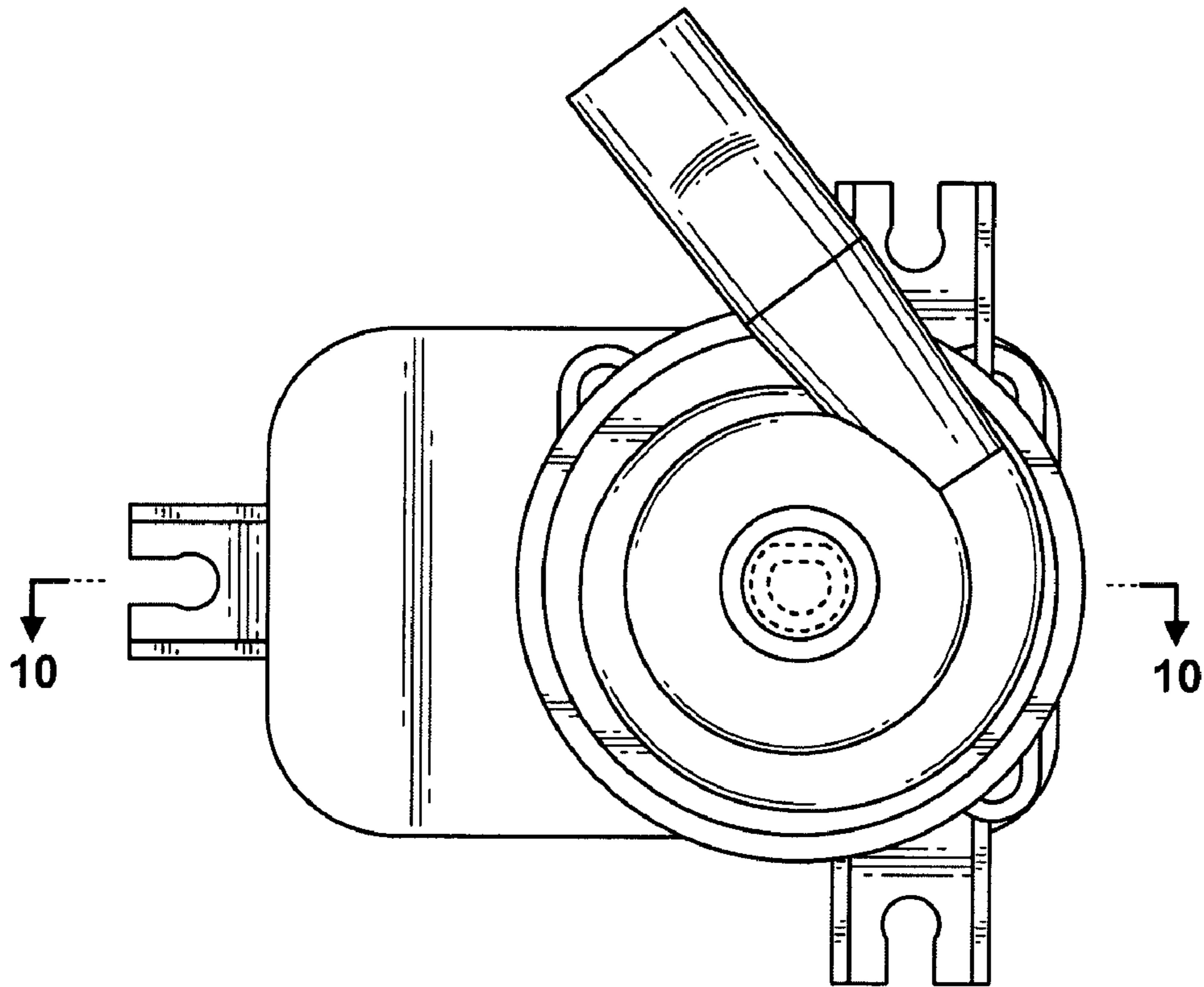


FIG. 3

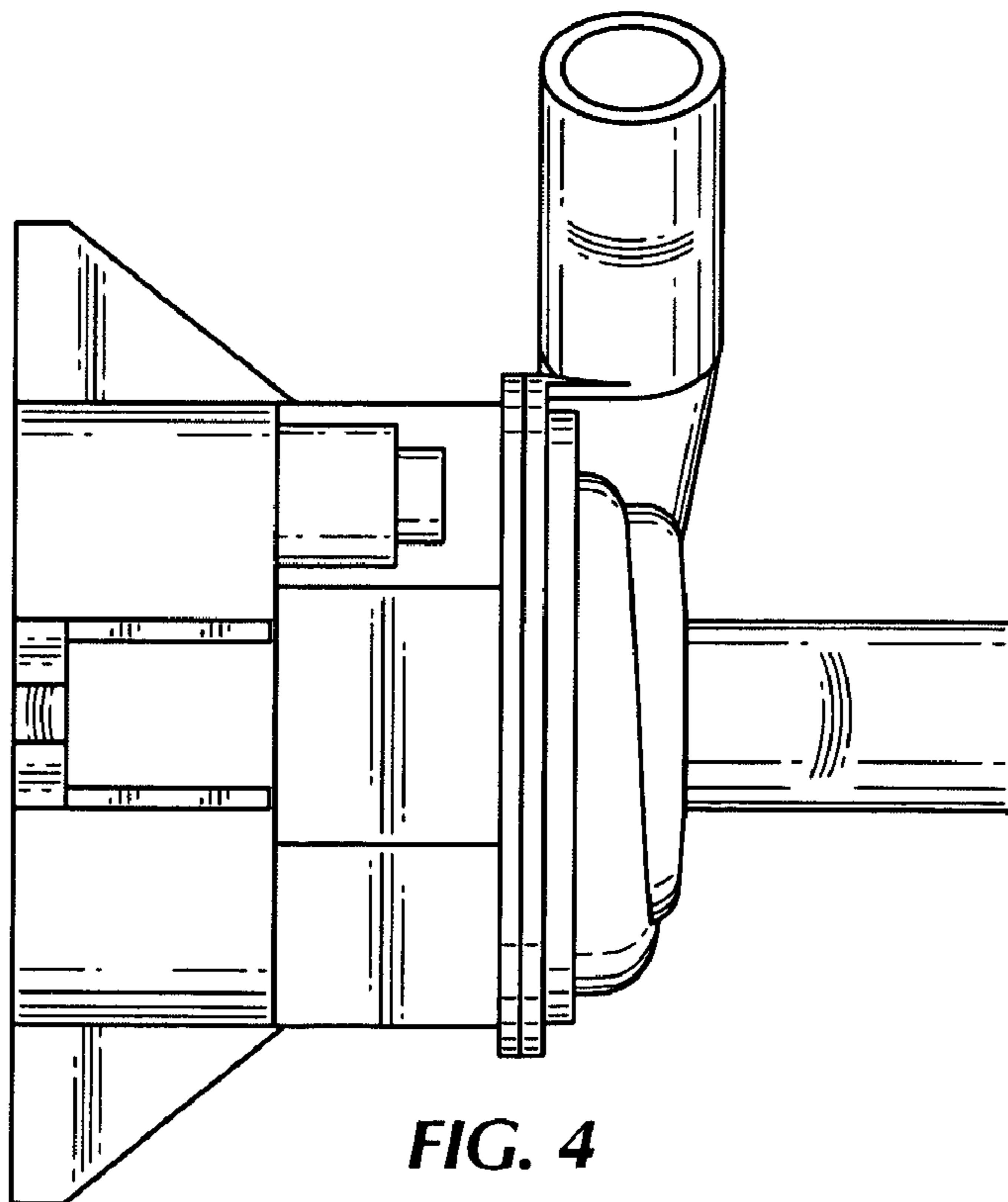


FIG. 4

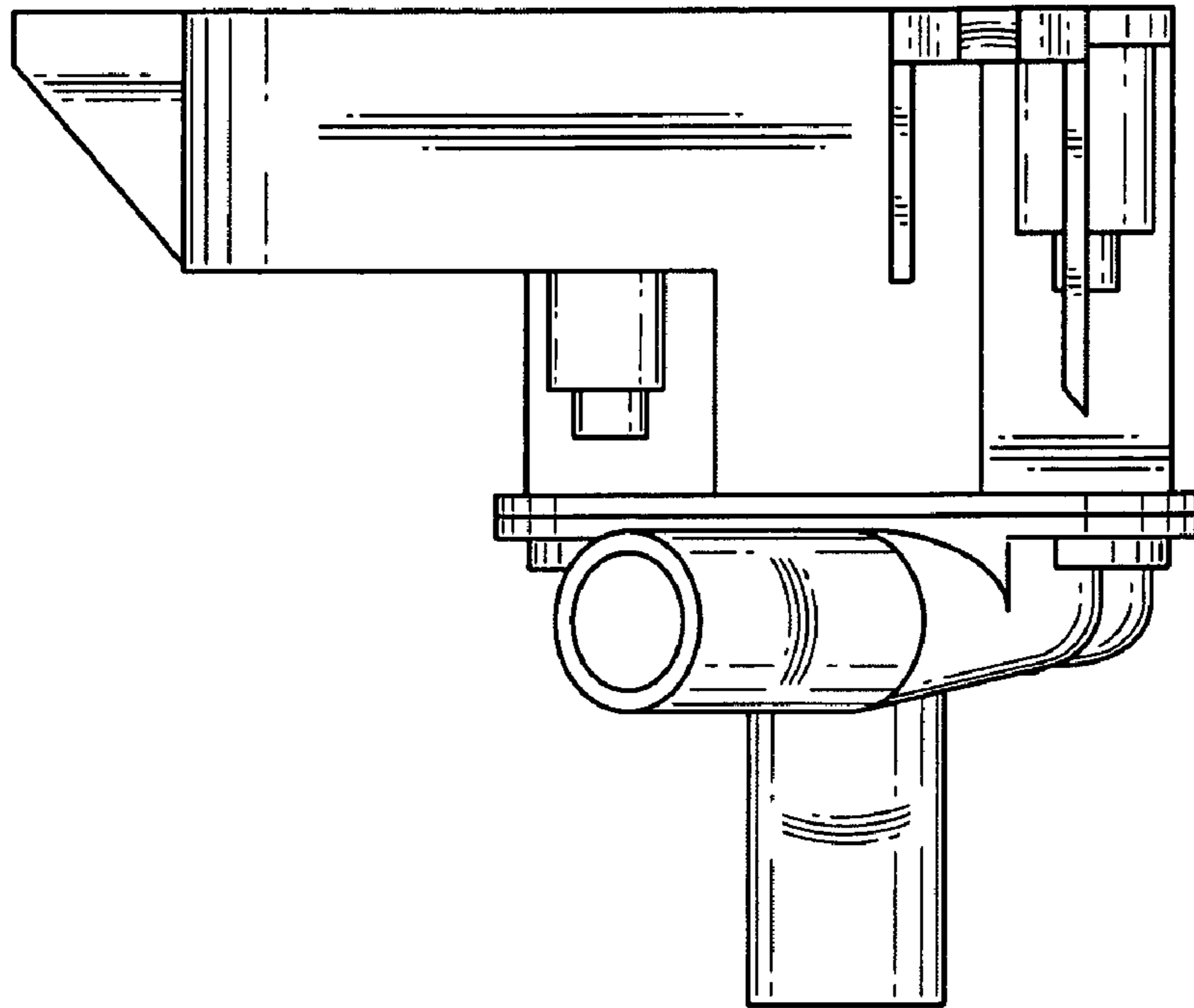


FIG. 5

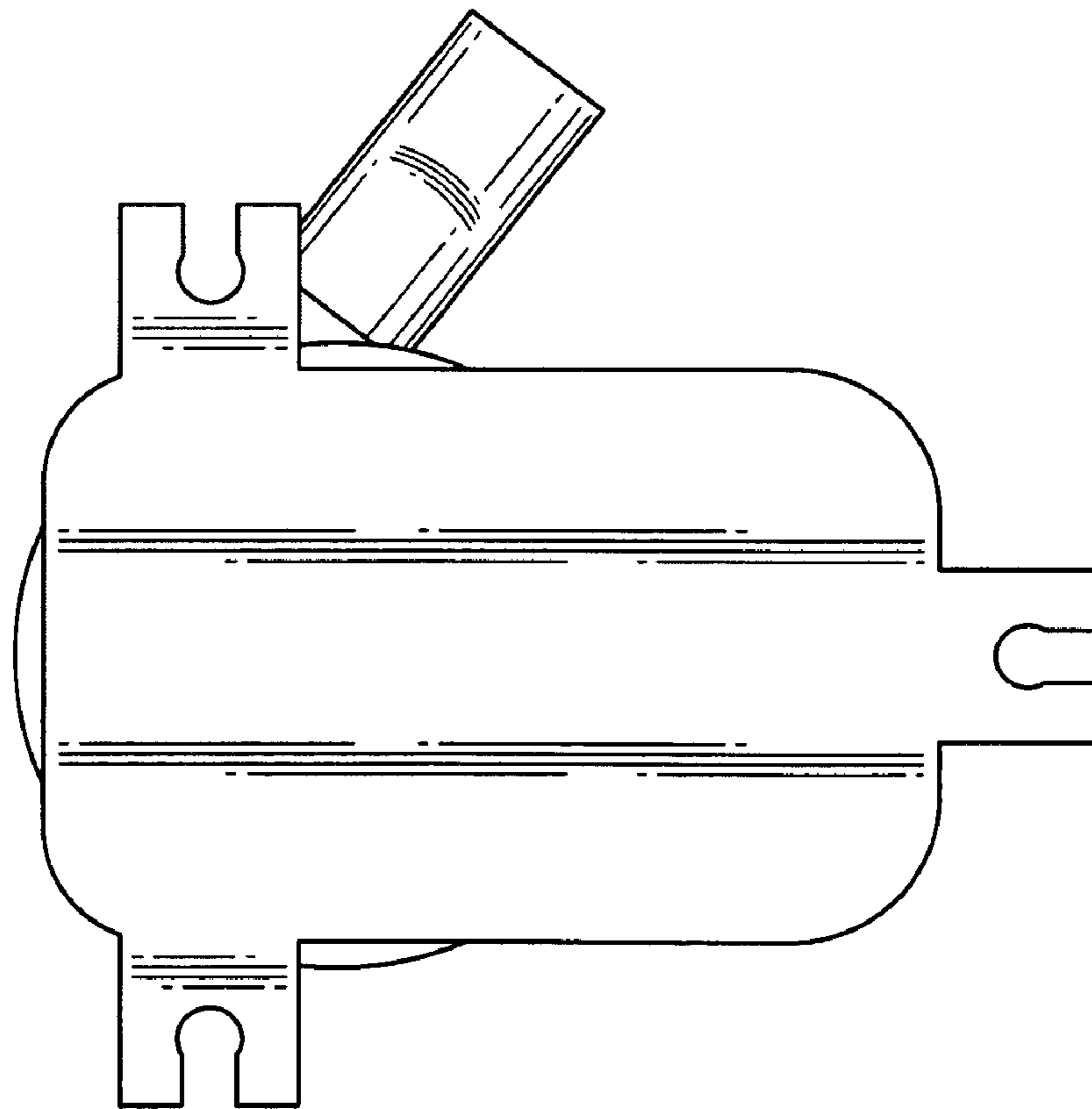


FIG. 6

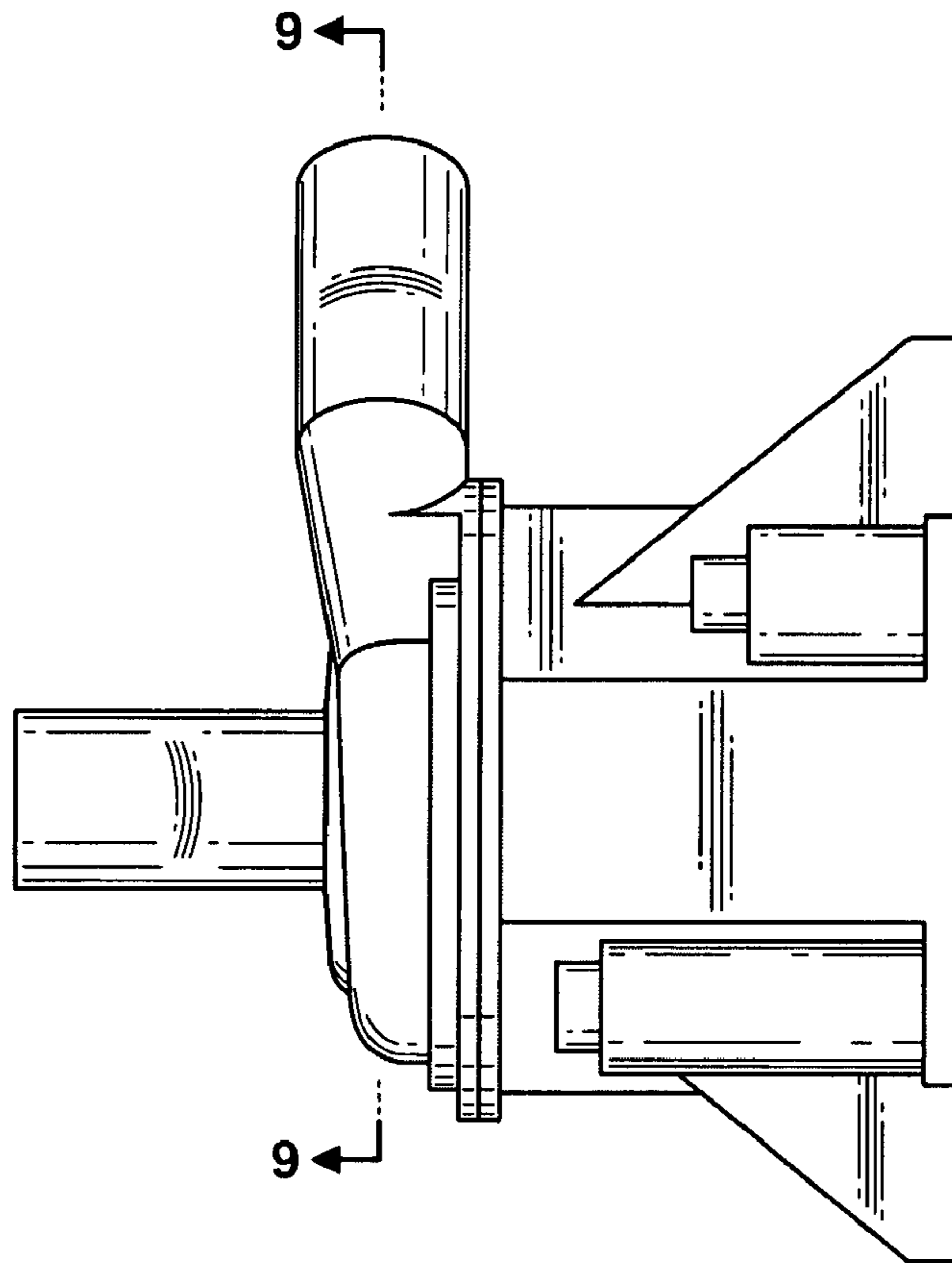


FIG. 7

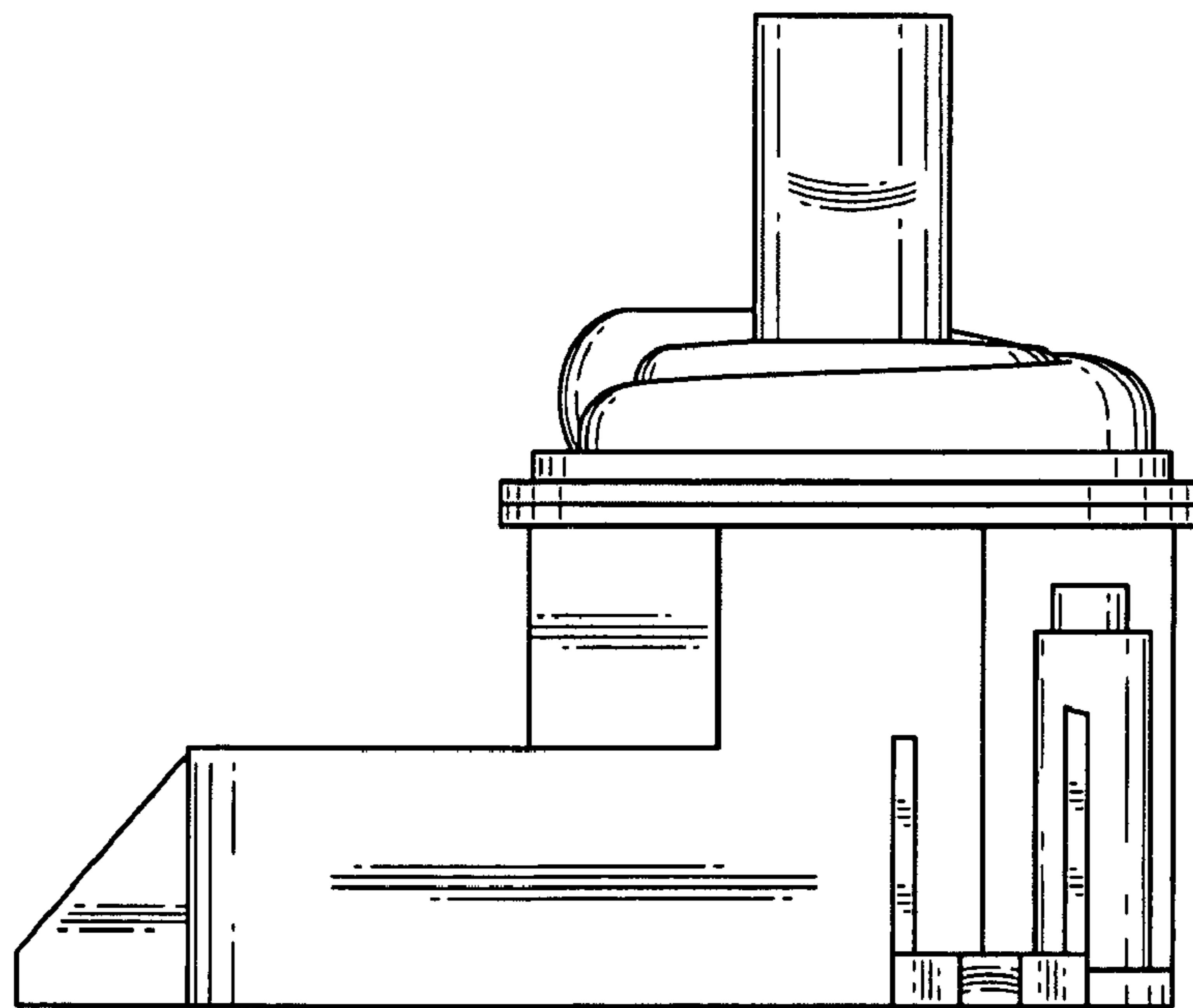


FIG. 8

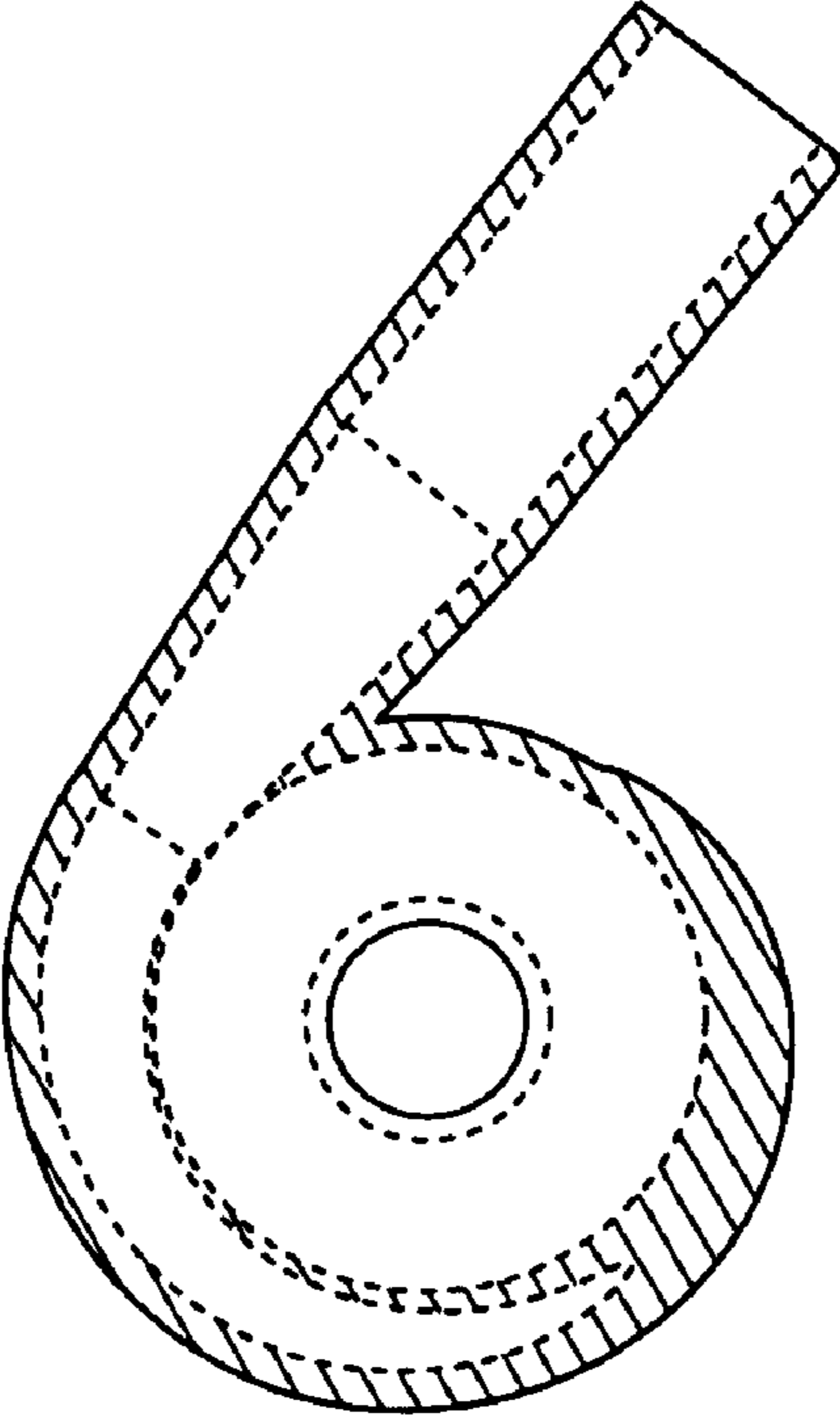


FIG. 9

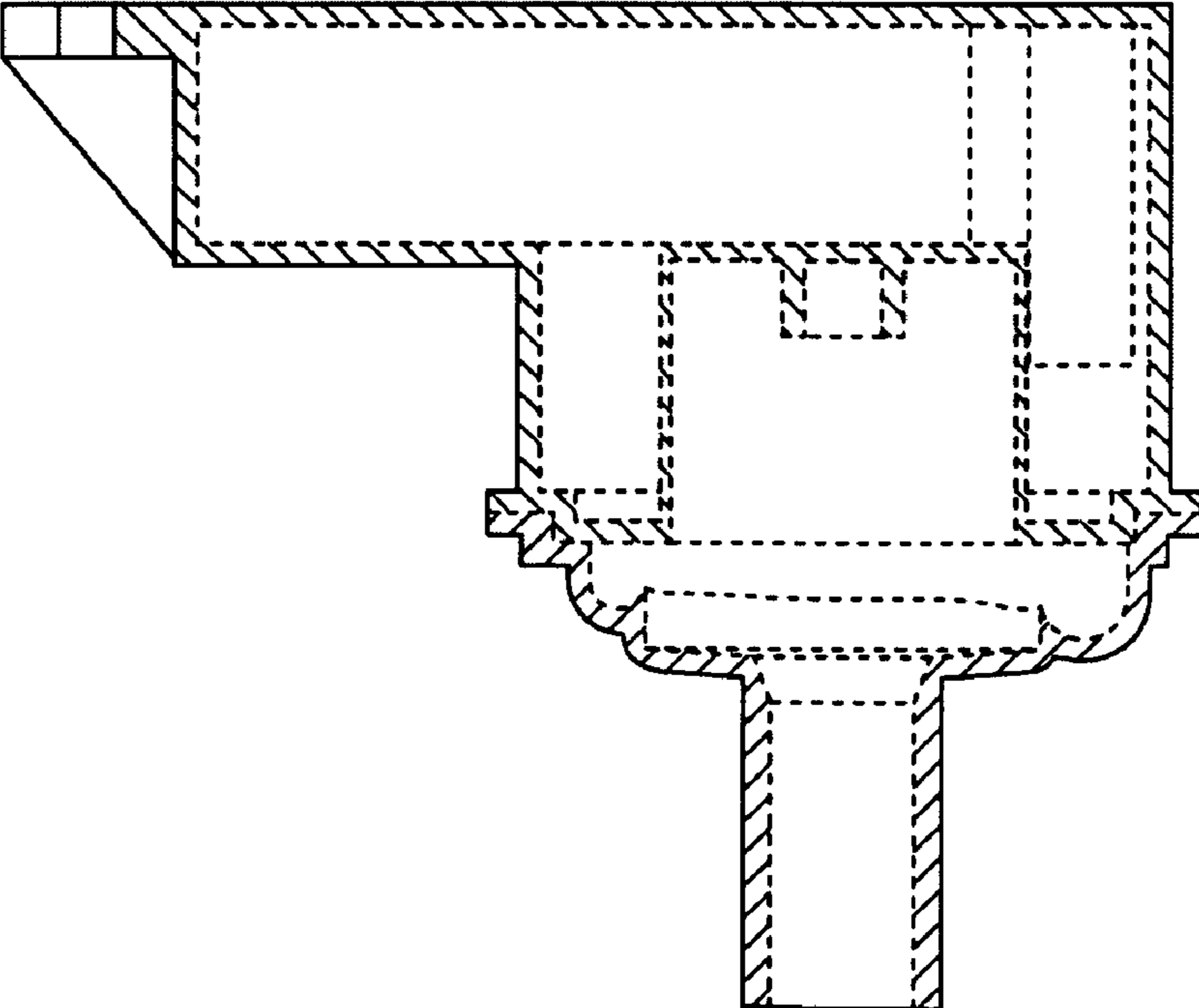


FIG. 10