



US00D604331S

(12) **United States Design Patent**
Tokunaga et al.

(10) **Patent No.:** **US D604,331 S**

(45) **Date of Patent:** **** Nov. 17, 2009**

(54) **PUMP**

D592,681 S * 5/2009 Hamagishi et al. D15/7

(75) Inventors: **Ryohei Tokunaga**, Kurume (JP);
Masahiro Hirata, Dazaifu (JP);
Hidetoshi Ueda, Fukuoka (JP)

* cited by examiner

Primary Examiner—R. Seifert

(74) *Attorney, Agent, or Firm*—Osha • Liang LLP

(73) Assignee: **Panasonic Electric Works Co., Ltd.**,
Osaka (JP)

(57) **CLAIM**

The ornamental design for a pump, as shown and described.

(**) Term: **14 Years**

(21) Appl. No.: **29/313,982**

DESCRIPTION

(22) Filed: **Feb. 24, 2009**

FIG. 1 is a front, right, top, perspective view of a design for use as a pump.

(30) **Foreign Application Priority Data**

FIG. 2 is a front, left, top, perspective view of the design according to the invention.

Aug. 25, 2008 (JP) 2008-021703

FIG. 3 is a front view of the design according to the invention.

(51) **LOC (9) Cl.** **15-02**

FIG. 4 is a left side view of the design according to the invention.

(52) **U.S. Cl.** **D15/7**

(58) **Field of Classification Search** D15/7-9;
D23/231, 232, 225; 417/410.1, 359, 415-416,
417/234, 321, 265, 405

FIG. 5 is a top view of the design according to the invention.

FIG. 6 is a rear view of the design according to the invention.

See application file for complete search history.

FIG. 7 is a right side view of the design according to the invention.

(56) **References Cited**

FIG. 8 is a bottom view of the design according to the invention.

U.S. PATENT DOCUMENTS

FIG. 9 is a sectional view at cross-section 9-9 of FIG. 7, in which the internal components are omitted; and,

D490,442 S * 5/2004 Kuboshima et al. D15/7

FIG. 10 is a sectional view at cross-section 10-10 of FIG. 3, in which the internal components are omitted.

D498,241 S * 11/2004 Song et al. D15/7

D520,024 S * 5/2006 Chen D15/7

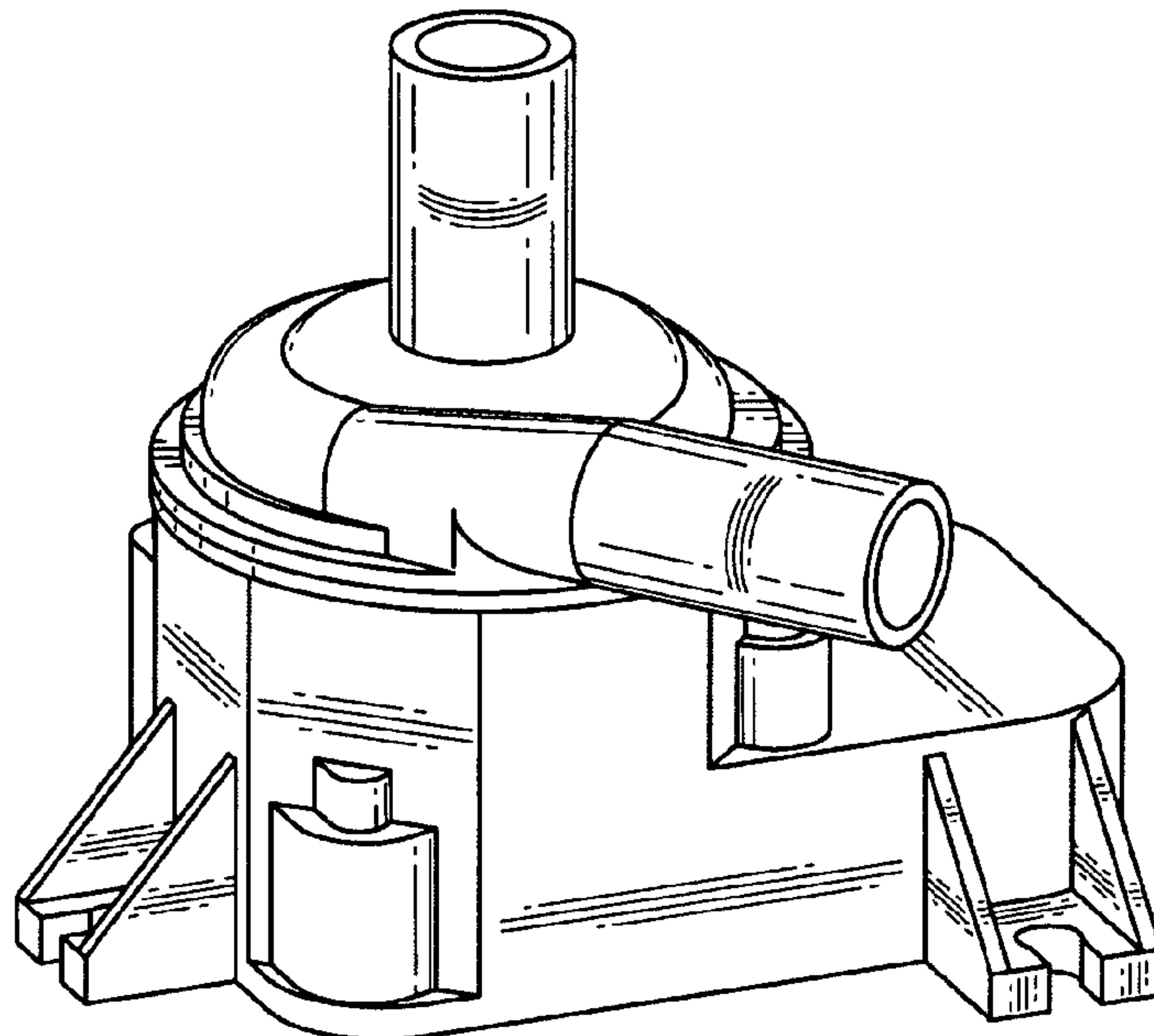
D559,269 S * 1/2008 Wu D15/7

D581,434 S * 11/2008 Hamagishi et al. D15/7

D582,944 S * 12/2008 Turgut D15/7

The elements shown in broken lines are for illustrative purposes only and form no part of the claimed invention.

1 Claim, 5 Drawing Sheets



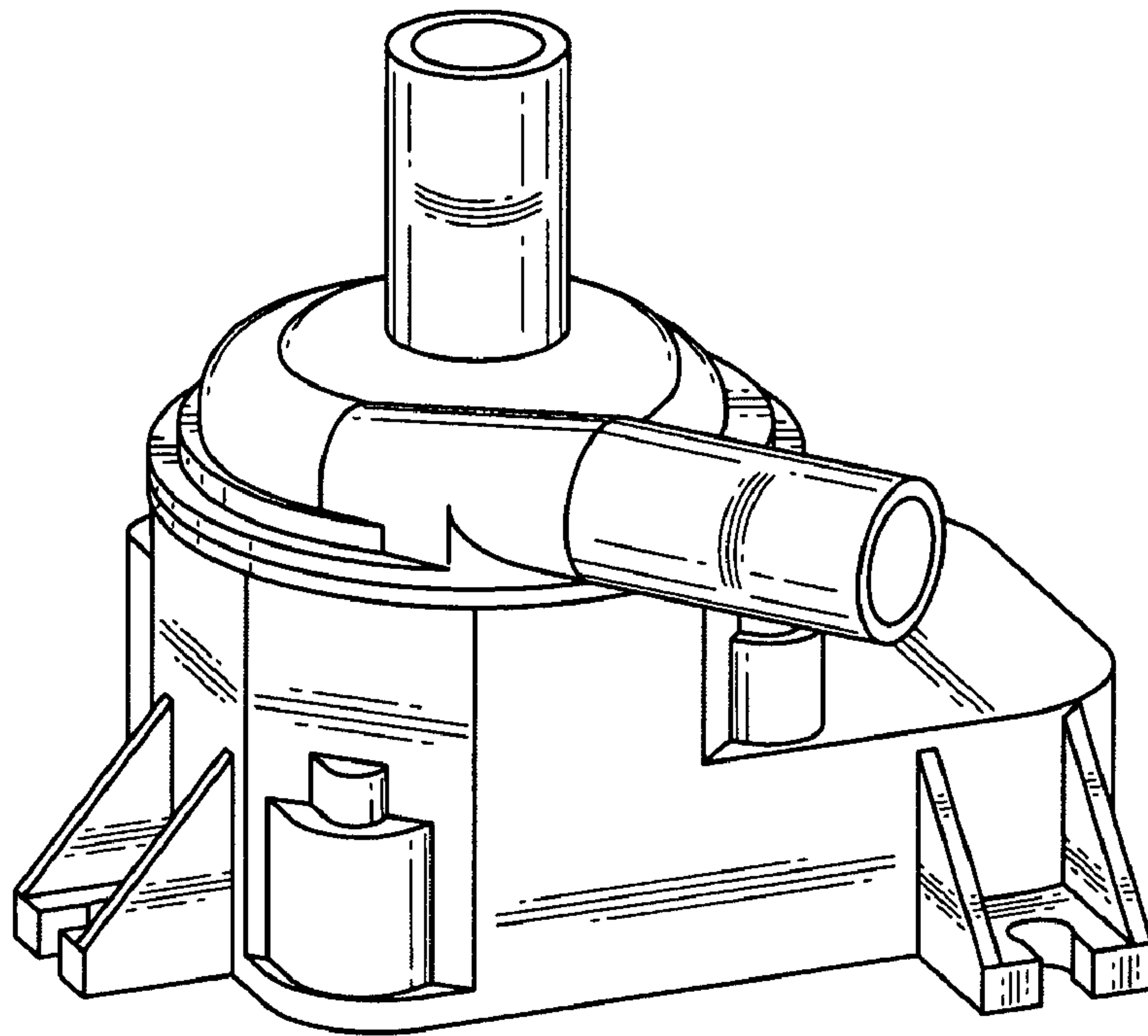


FIG. 1

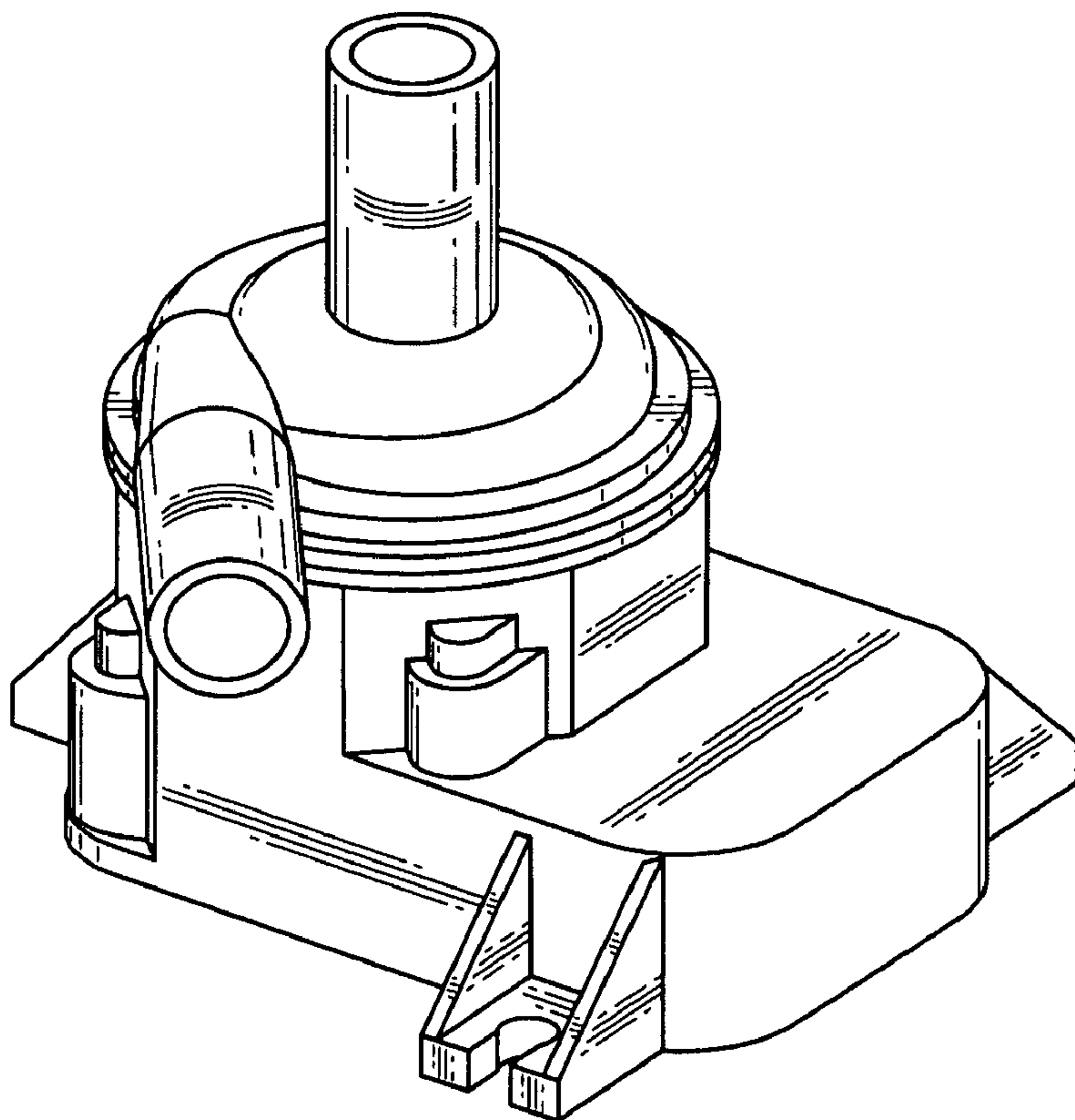


FIG. 2

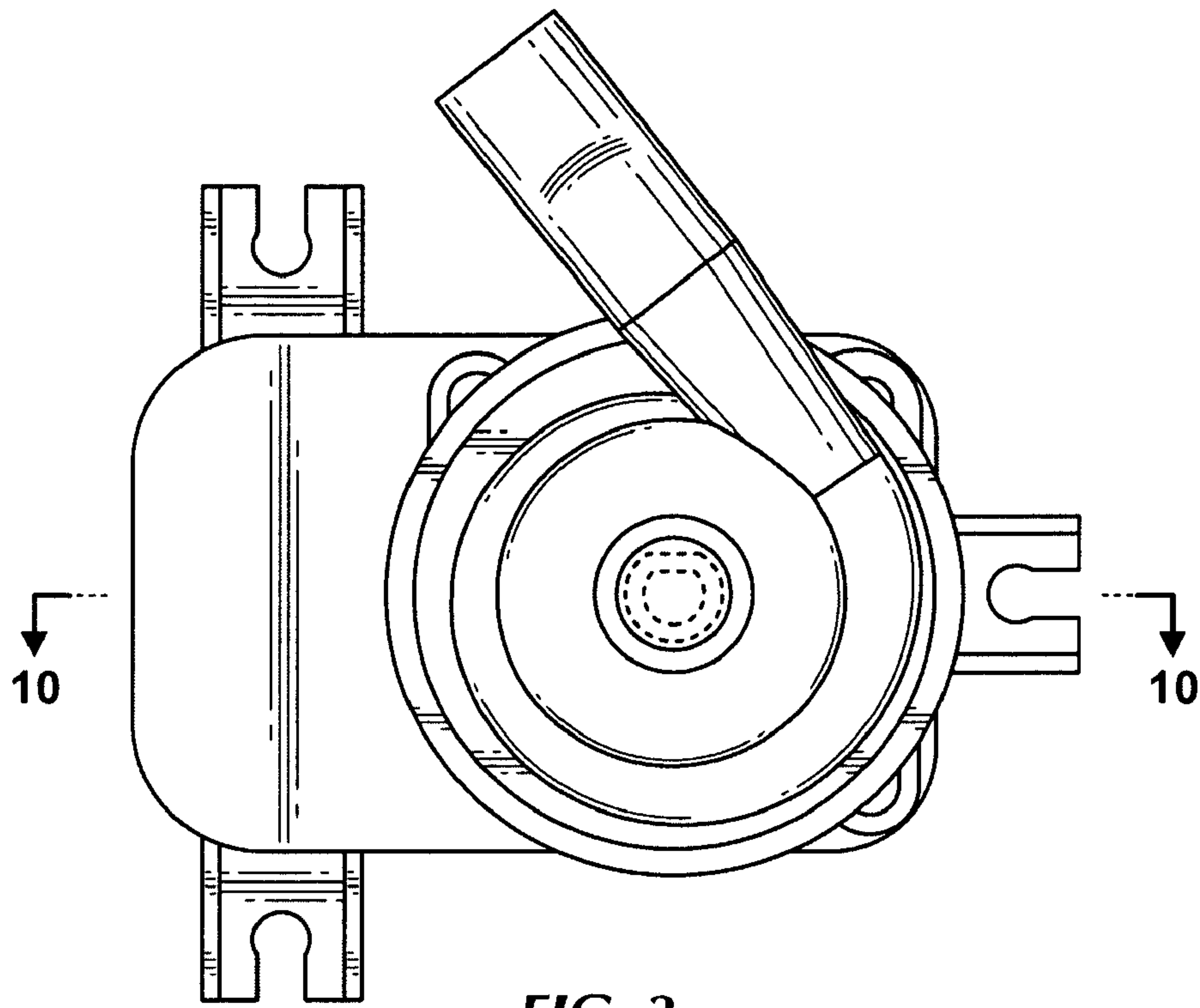


FIG. 3

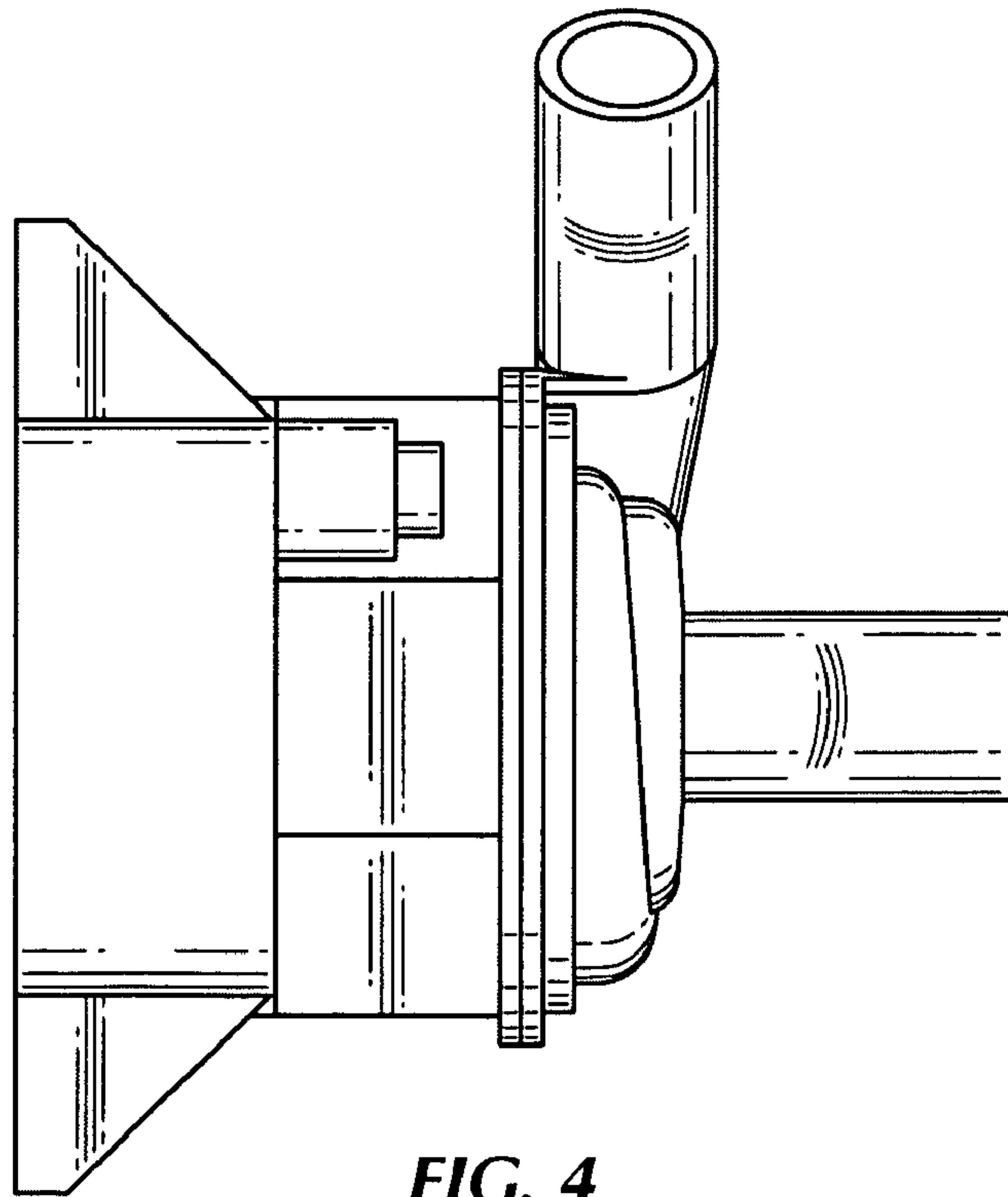


FIG. 4

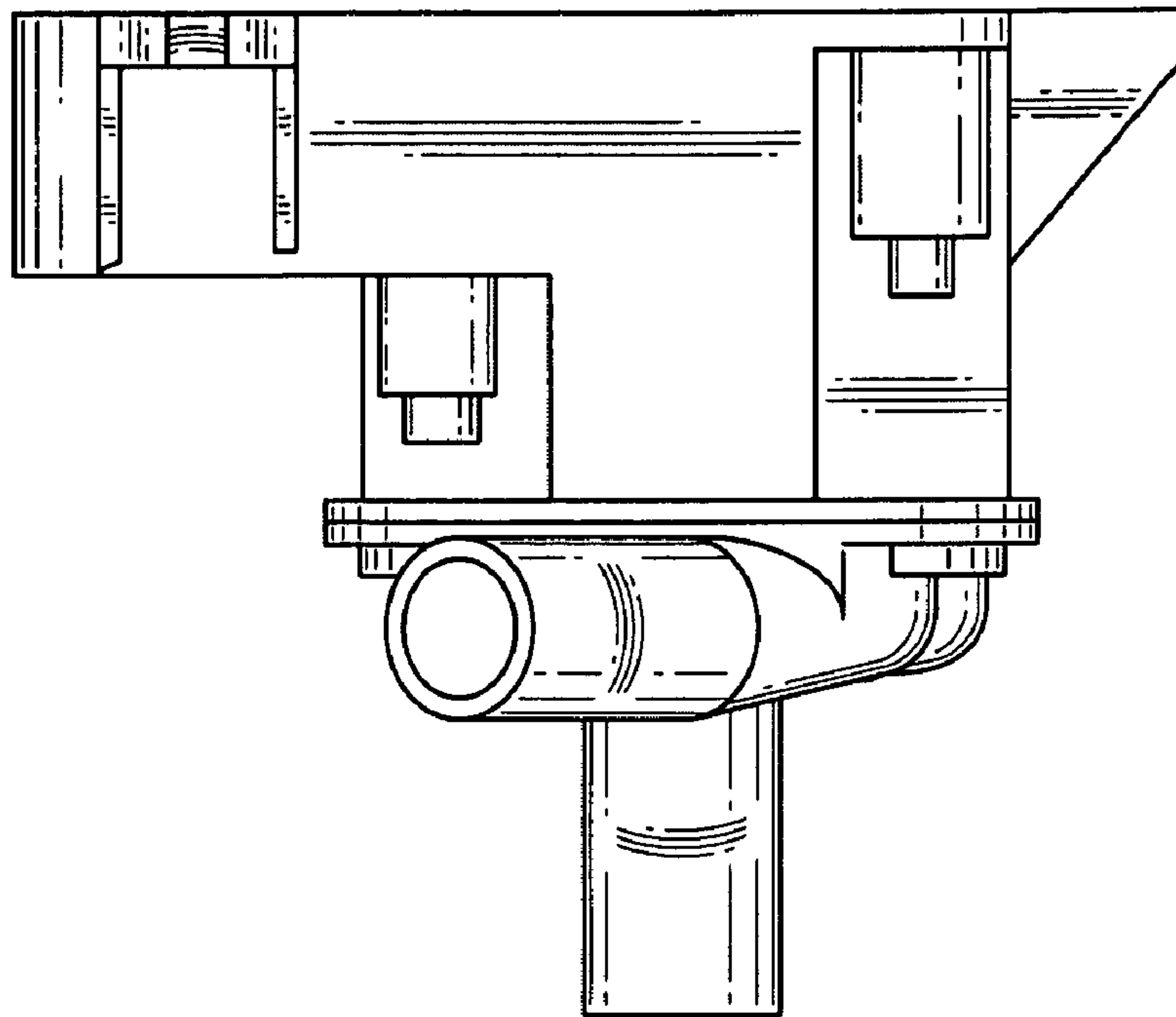


FIG. 5

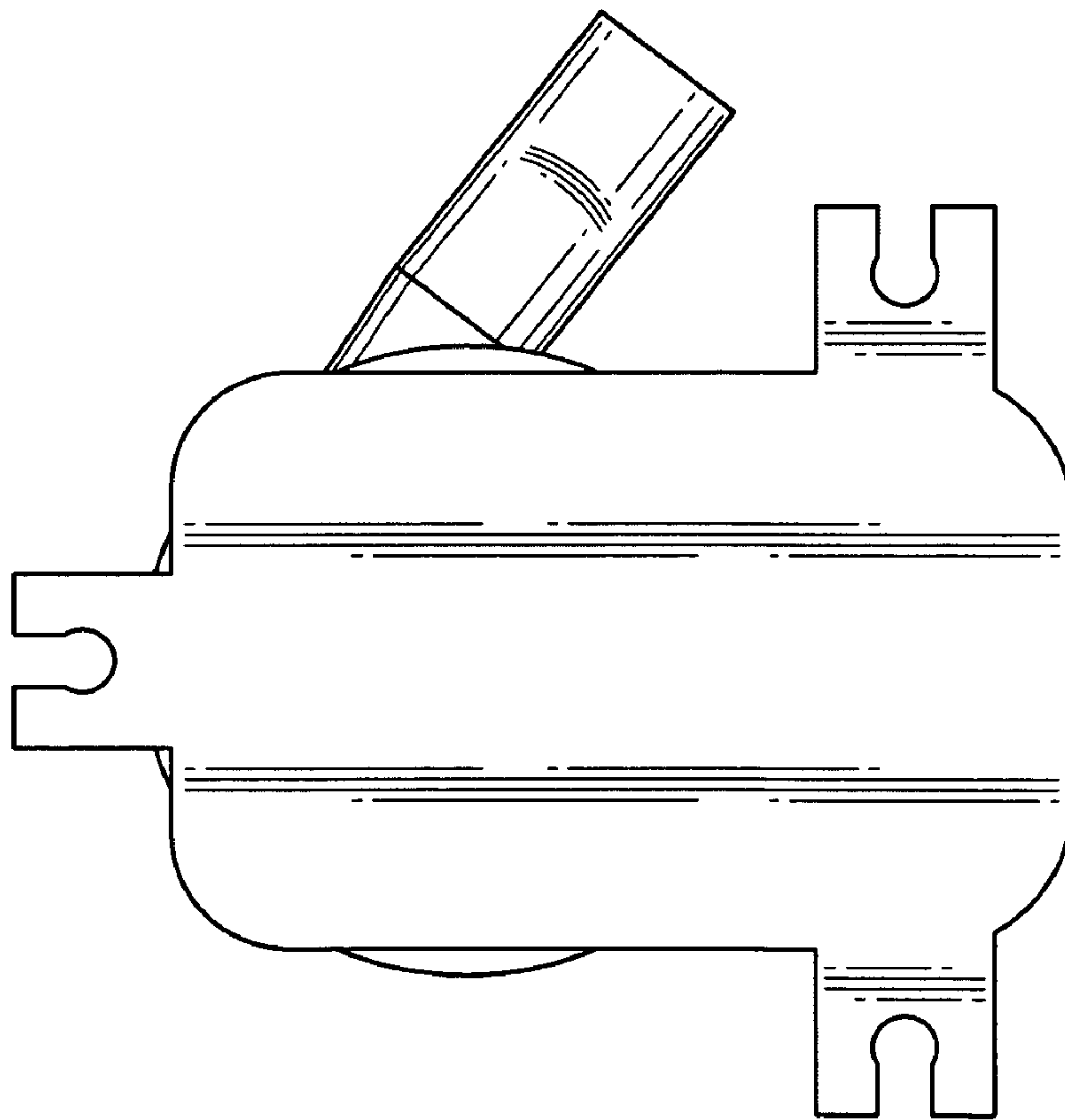


FIG. 6

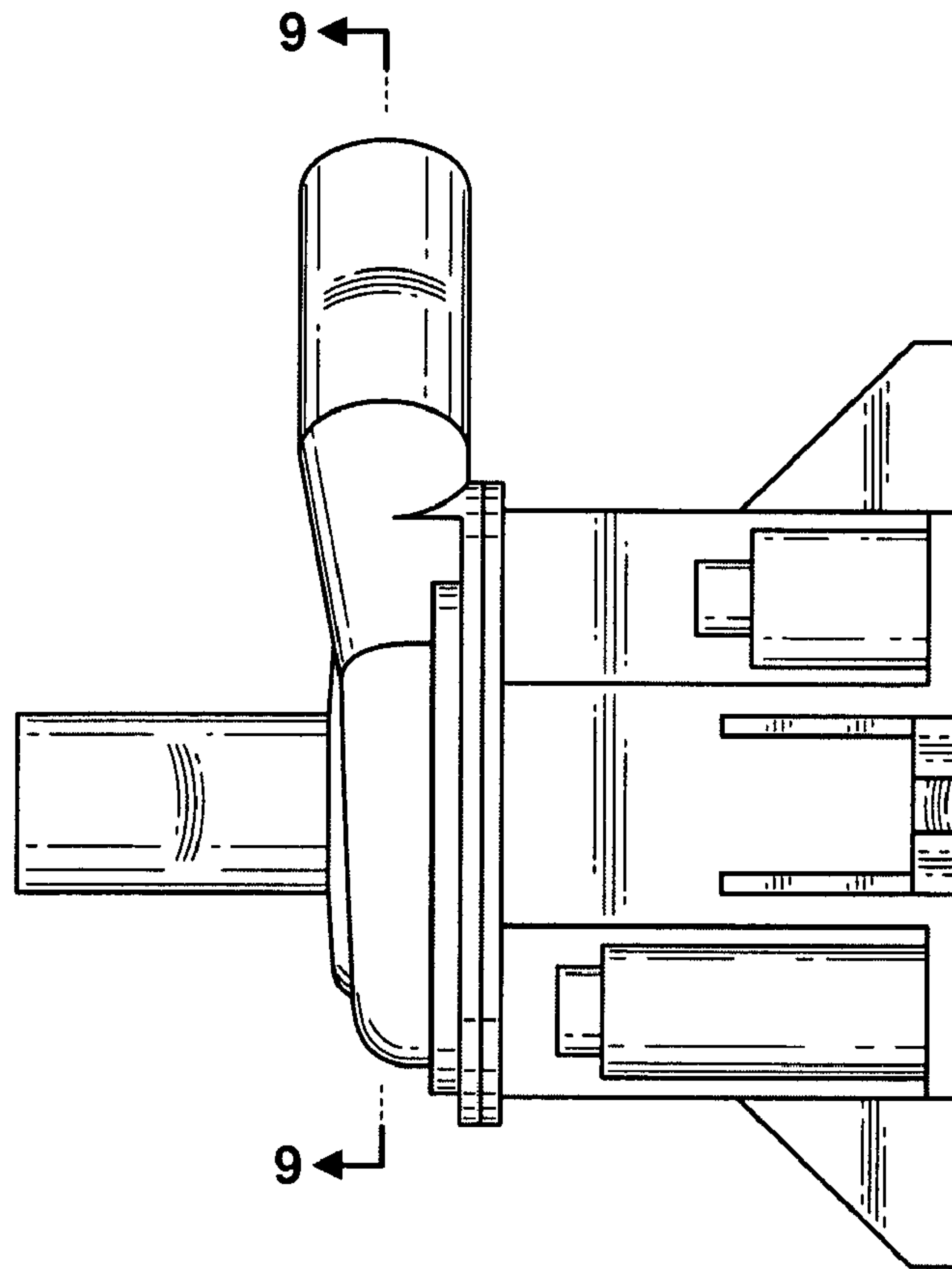


FIG. 7

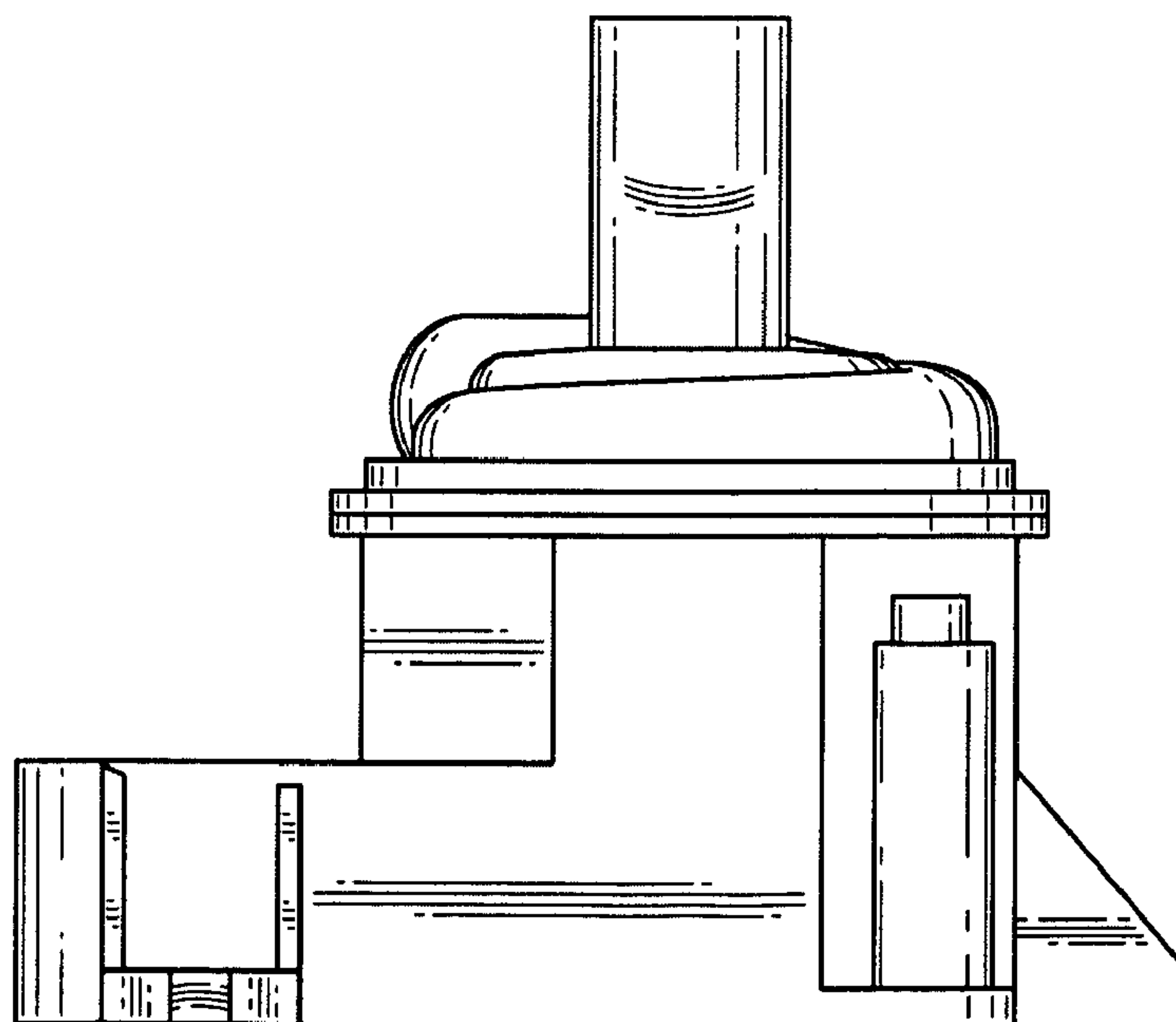


FIG. 8

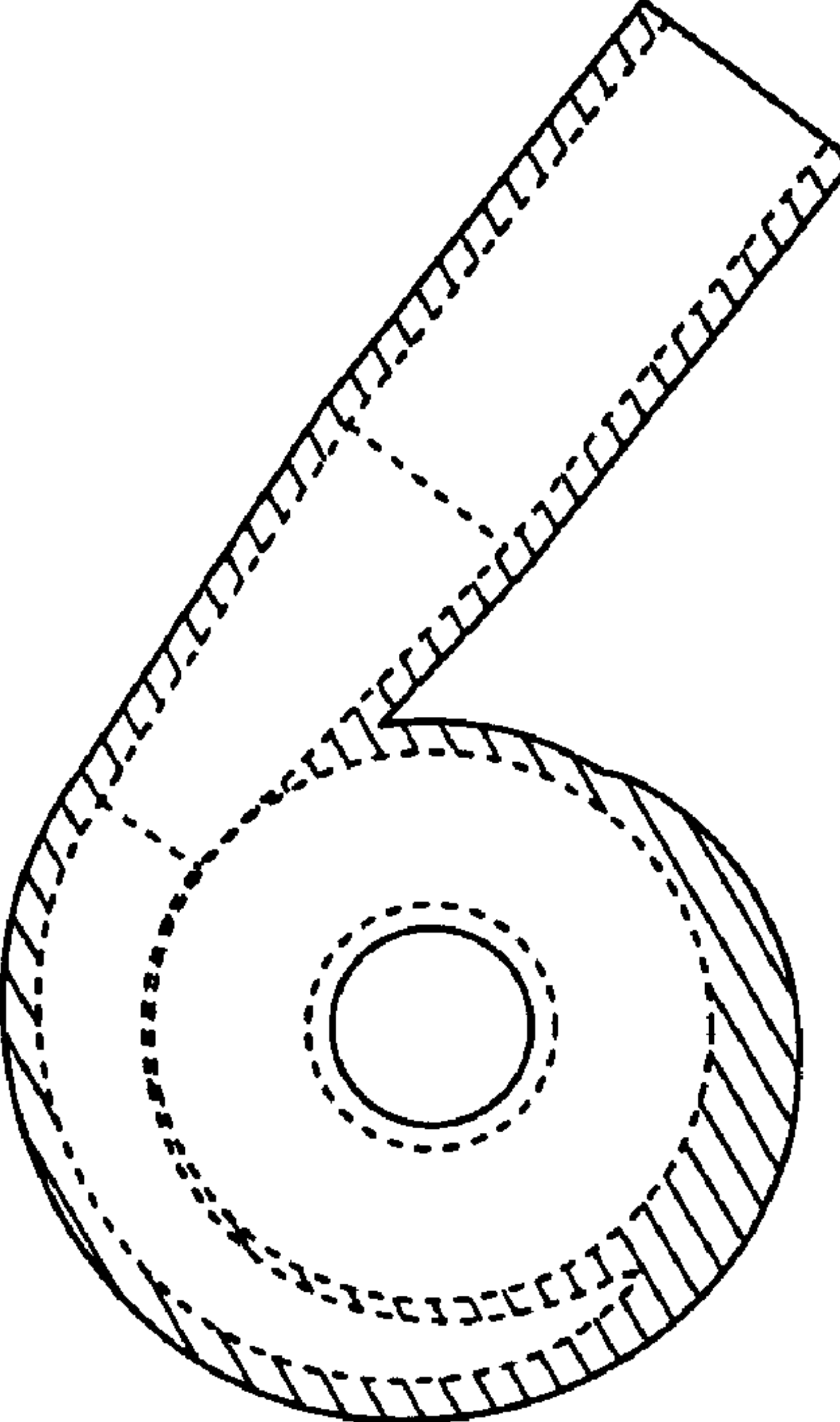


FIG. 9

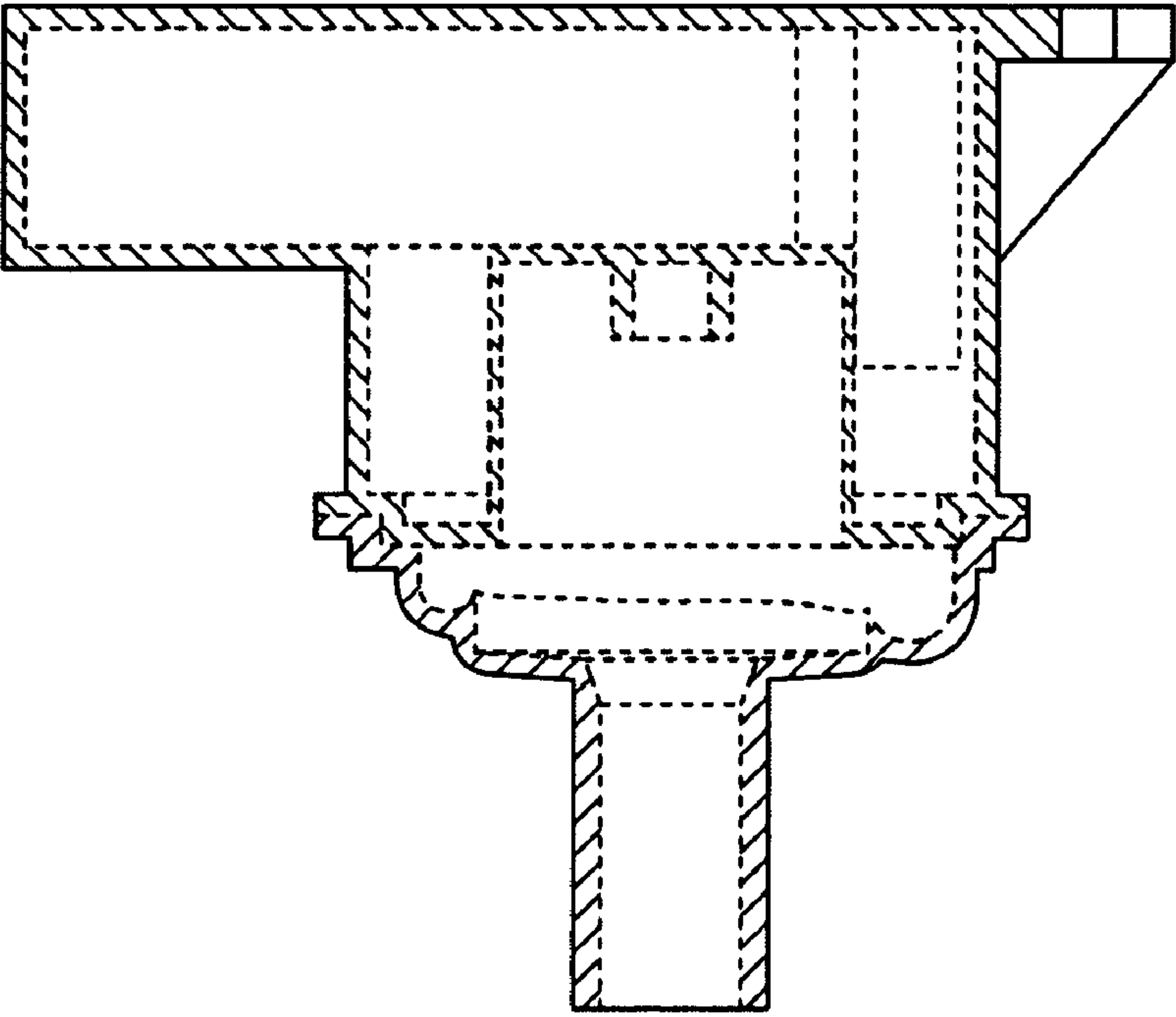


FIG. 10