



US00D604330S

(12) **United States Design Patent**
Duong et al.

(10) **Patent No.:** **US D604,330 S**

(45) **Date of Patent:** **** Nov. 17, 2009**

(54) **FRAME FOR A PUMP**

D538,826 S * 3/2007 Kienzle D15/9

(75) Inventors: **Chi Huy Duong**, Belfied (AU); **Ana Milian**, Quakers Hill (AU)

* cited by examiner

Primary Examiner—R. Seifert

(73) Assignee: **Weir Minerals Australia Ltd.**, Artarmon, NSW (AU)

(74) *Attorney, Agent, or Firm*—Morriss O’Bryant Compagni

(**) Term: **14 Years**

(57) **CLAIM**

The ornamental design for the frame for a pump, as shown and described herein.

(21) Appl. No.: **29/313,841**

(22) Filed: **Feb. 13, 2009**

DESCRIPTION

(30) **Foreign Application Priority Data**

Aug. 14, 2008 (AU) 13897/2008

FIG. 1 is a perspective view of the frame for a pump of the invention;

(51) **LOC (9) Cl.** **15-02**

(52) **U.S. Cl.** **D15/7**

(58) **Field of Classification Search** D15/7–9;
D23/231, 232, 225; 417/410.1, 359, 415–416,
417/234, 321, 265, 405

FIG. 2 is a view in elevation of the frame for a pump shown in FIG. 1 rotated vertically to the right;

FIG. 3 is a view in elevation of the frame for a pump shown in FIG. 2 rotated vertically 180°;

See application file for complete search history.

FIG. 4 is a side view of the frame for a pump shown in FIG. 2, rotated vertically 90° to the left;

FIG. 5 is a side view of the frame for a pump shown in FIG. 2, rotated vertically 90° to the right;

(56) **References Cited**

U.S. PATENT DOCUMENTS

D178,105 S * 6/1956 Zulinke D15/9

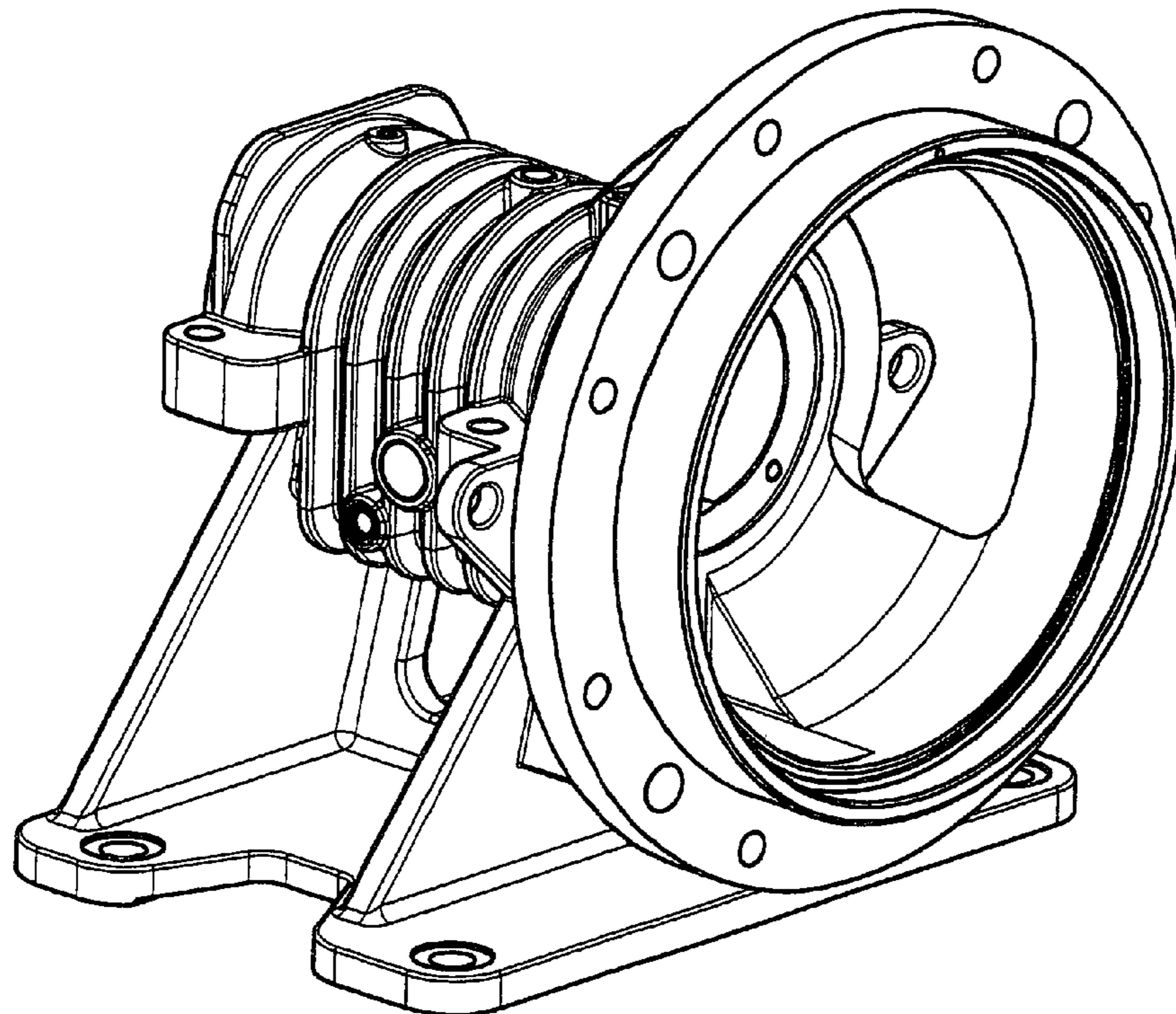
D315,911 S * 4/1991 Campbell D15/7

D447,148 S * 8/2001 Antony et al. D15/7

FIG. 6 is a top view of the frame for a pump shown in FIG. 2; FIG. 7 is bottom view of the frame for a pump shown in FIG. 2; and,

FIG. 8 is a perspective view illustrating the top of the frame for a pump.

1 Claim, 8 Drawing Sheets



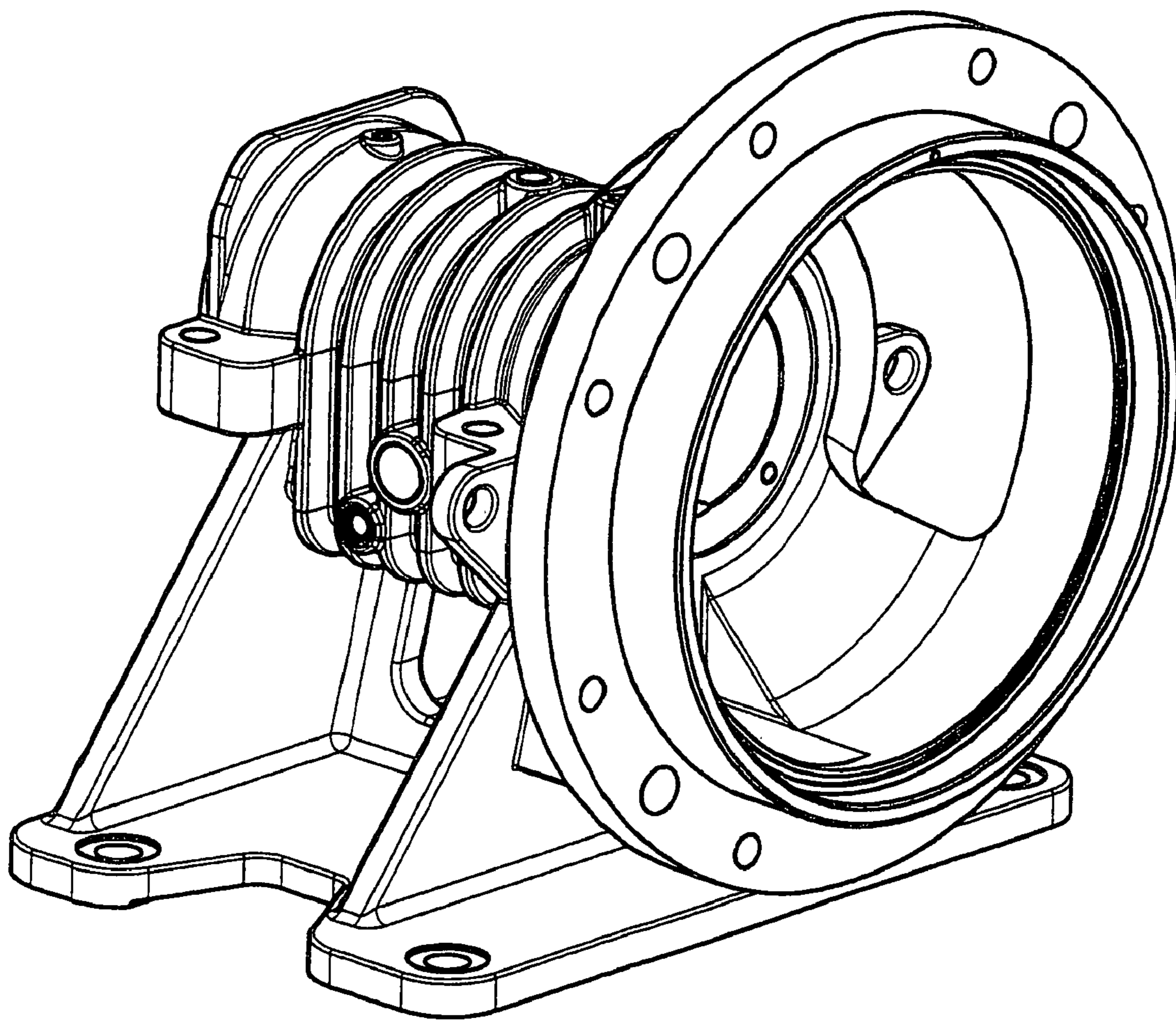


FIG. 1

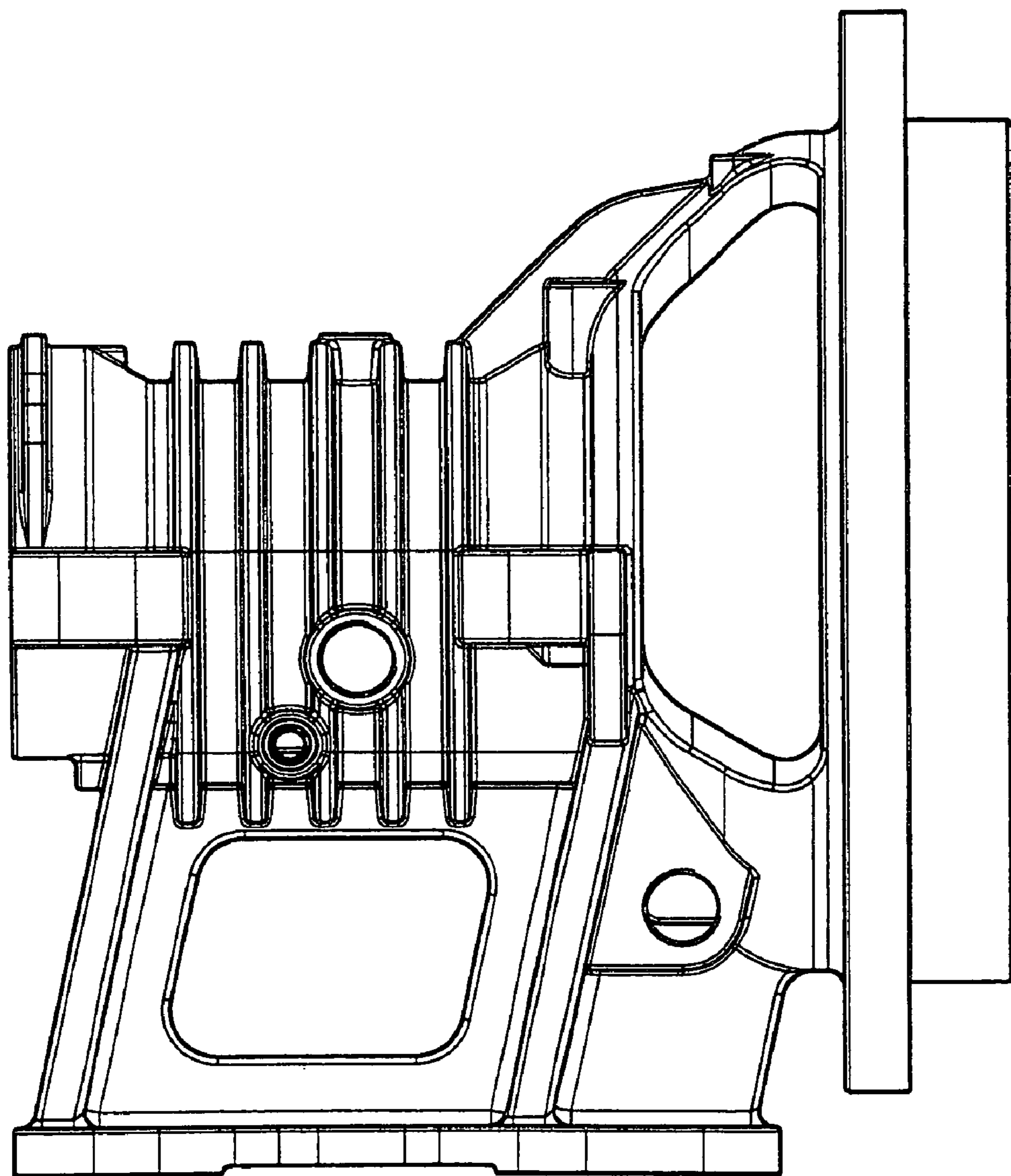


FIG. 2

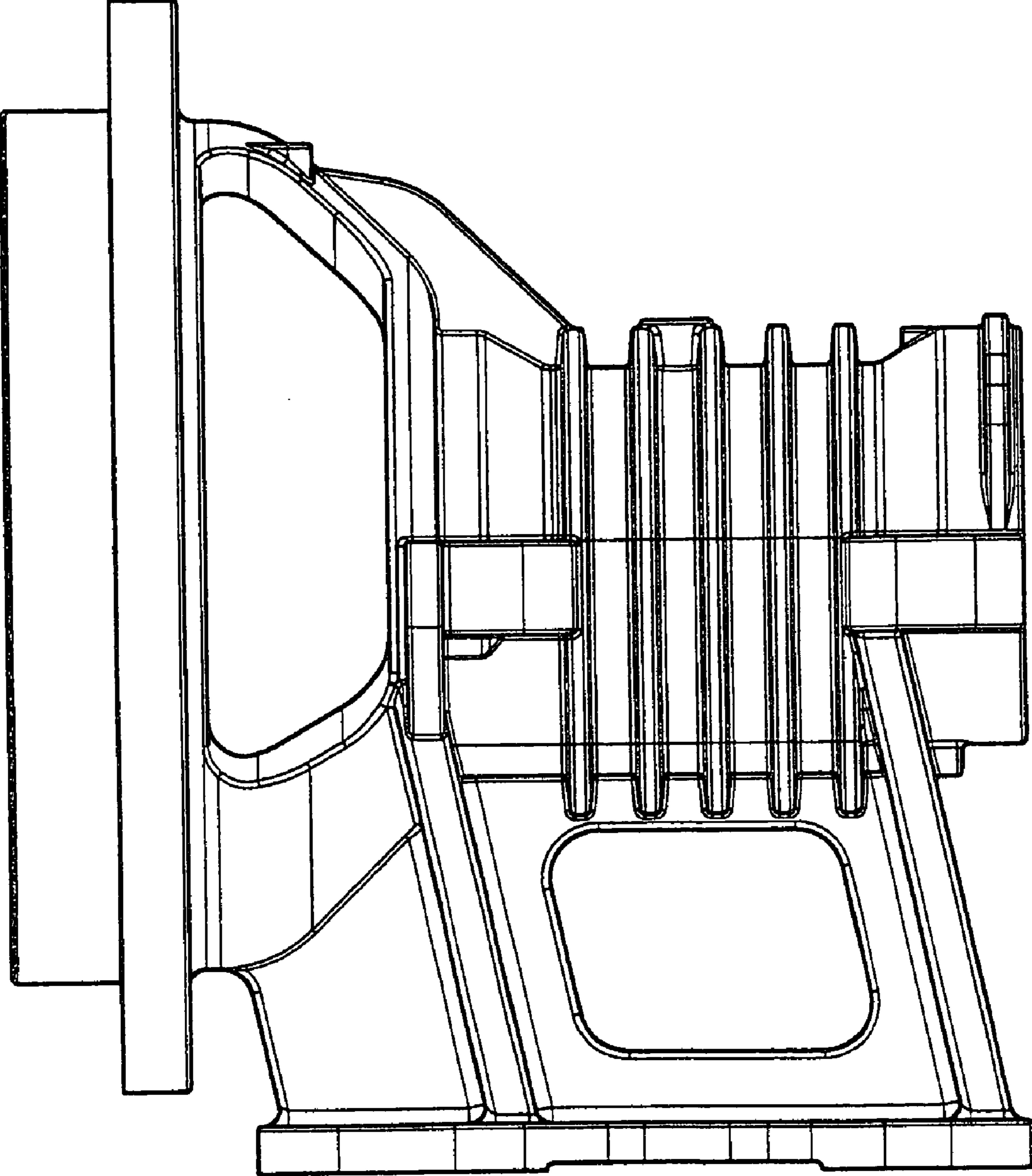


FIG. 3

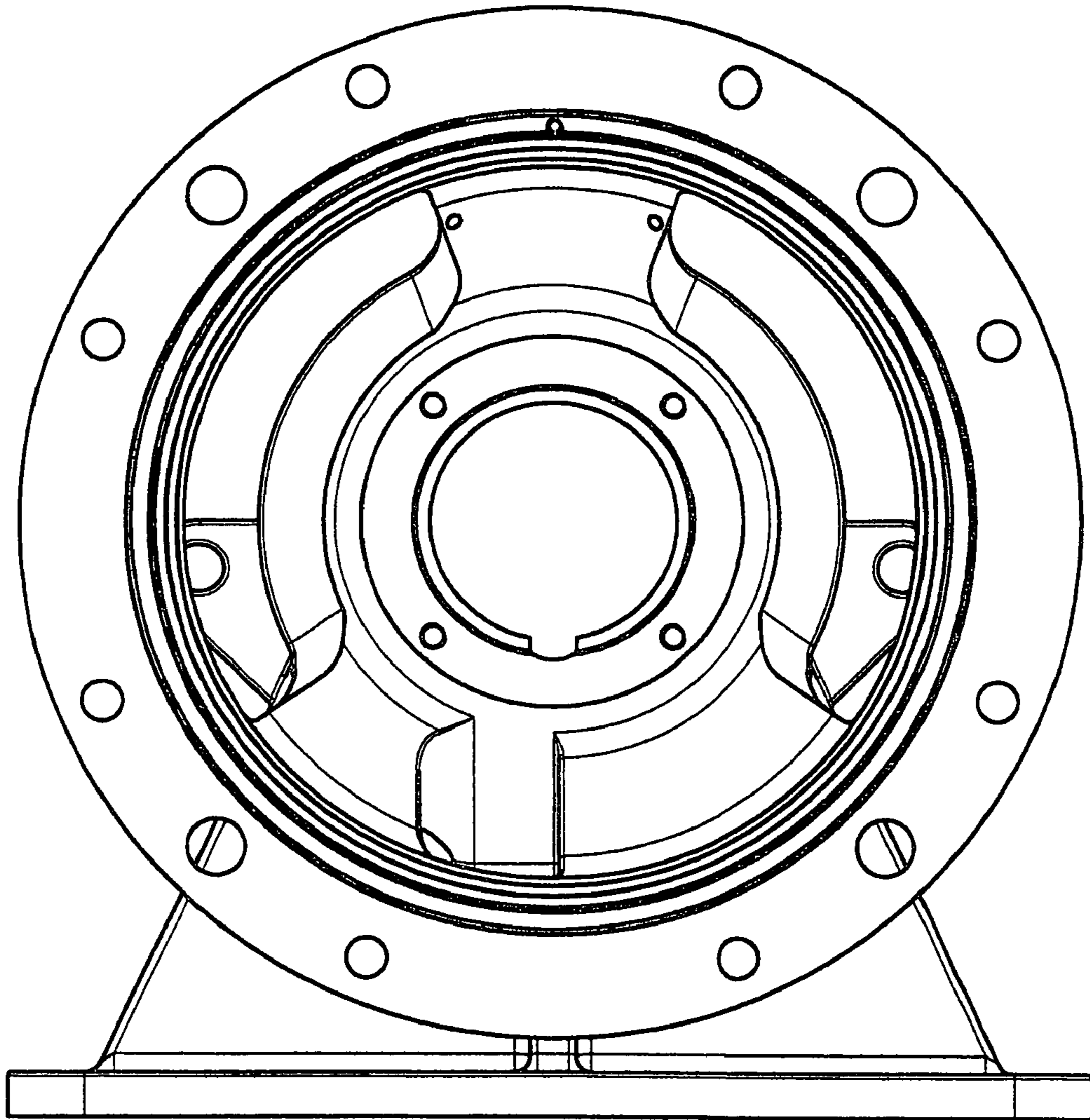


FIG. 4

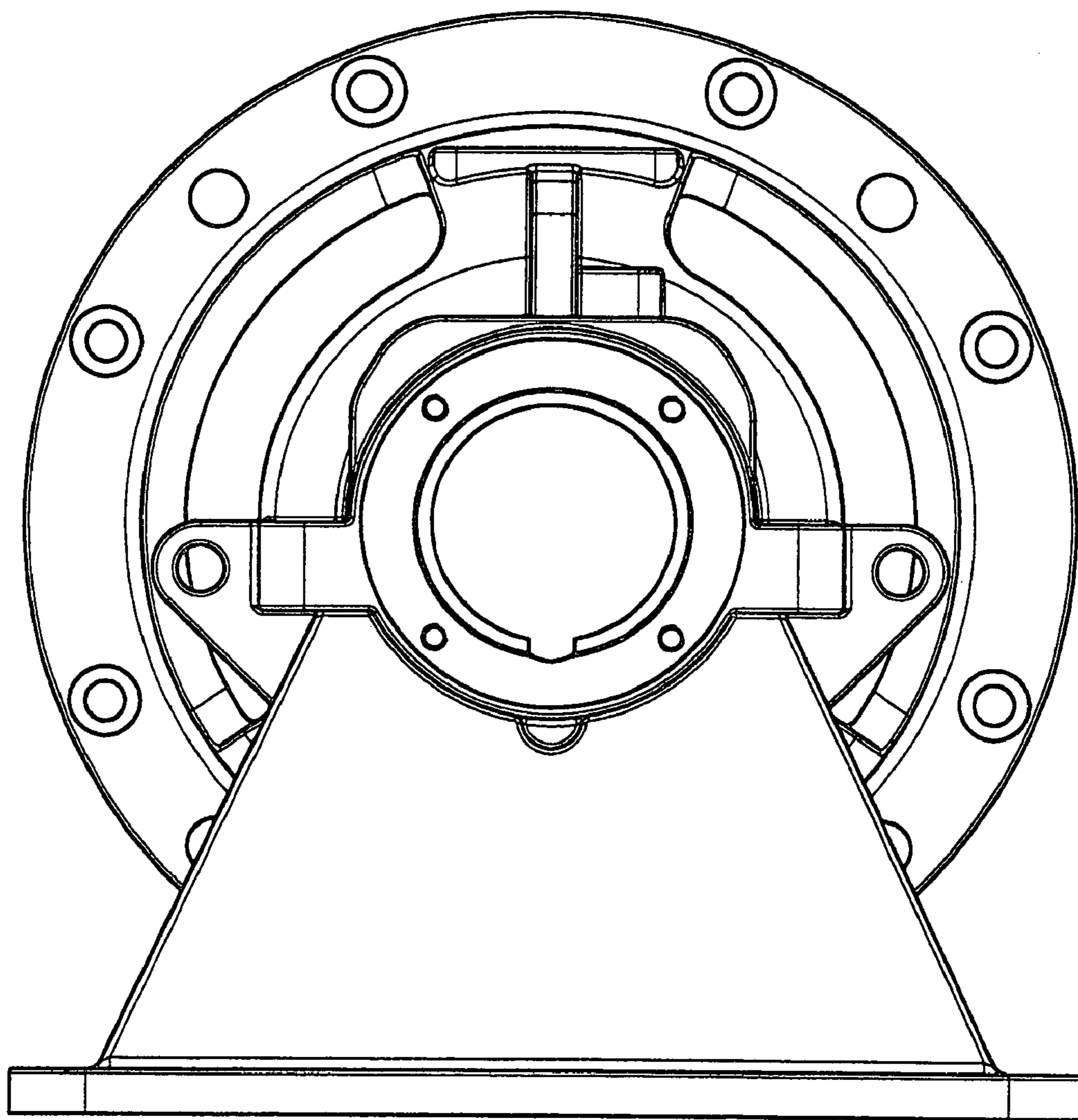


FIG. 5

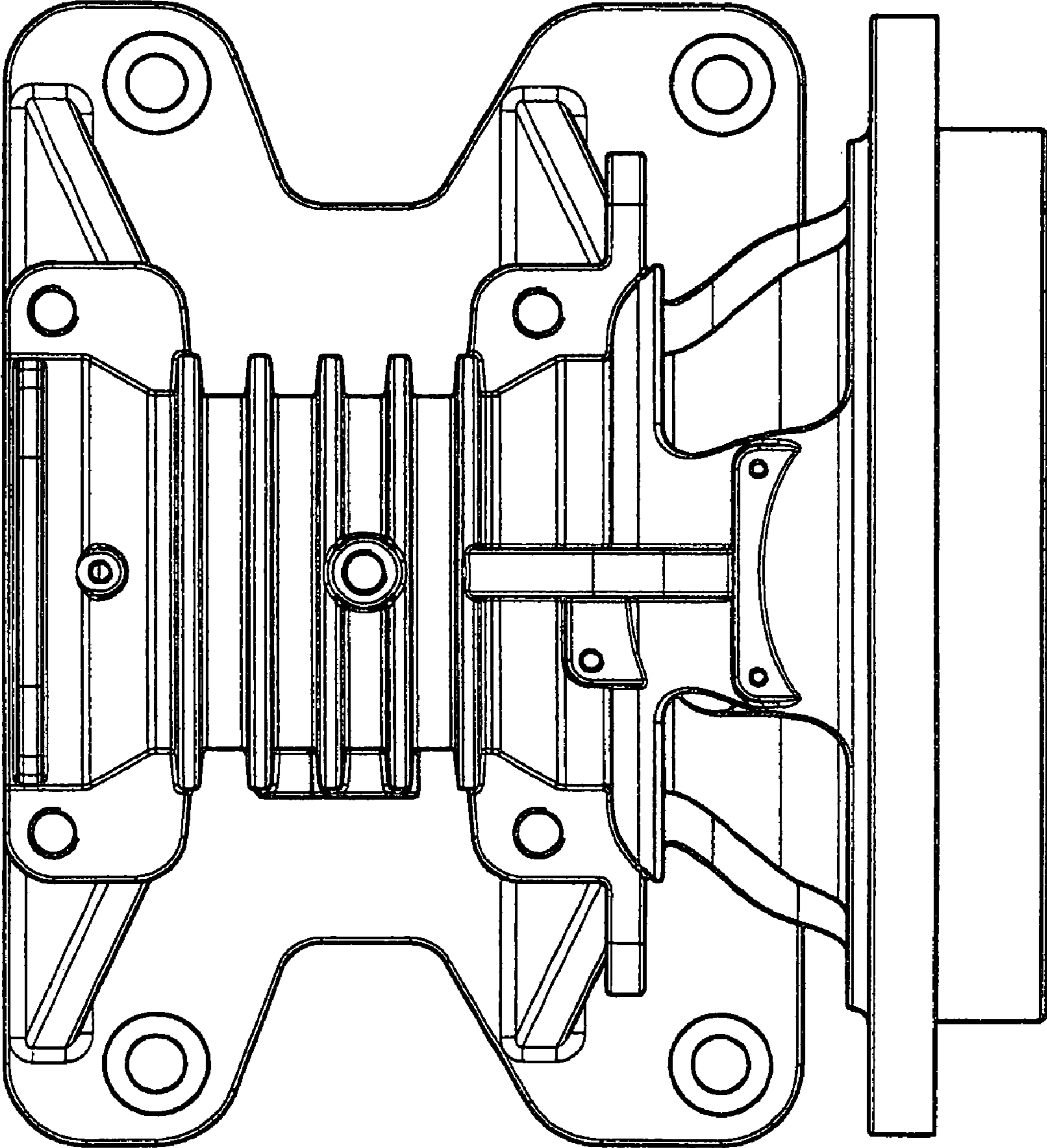


FIG. 6

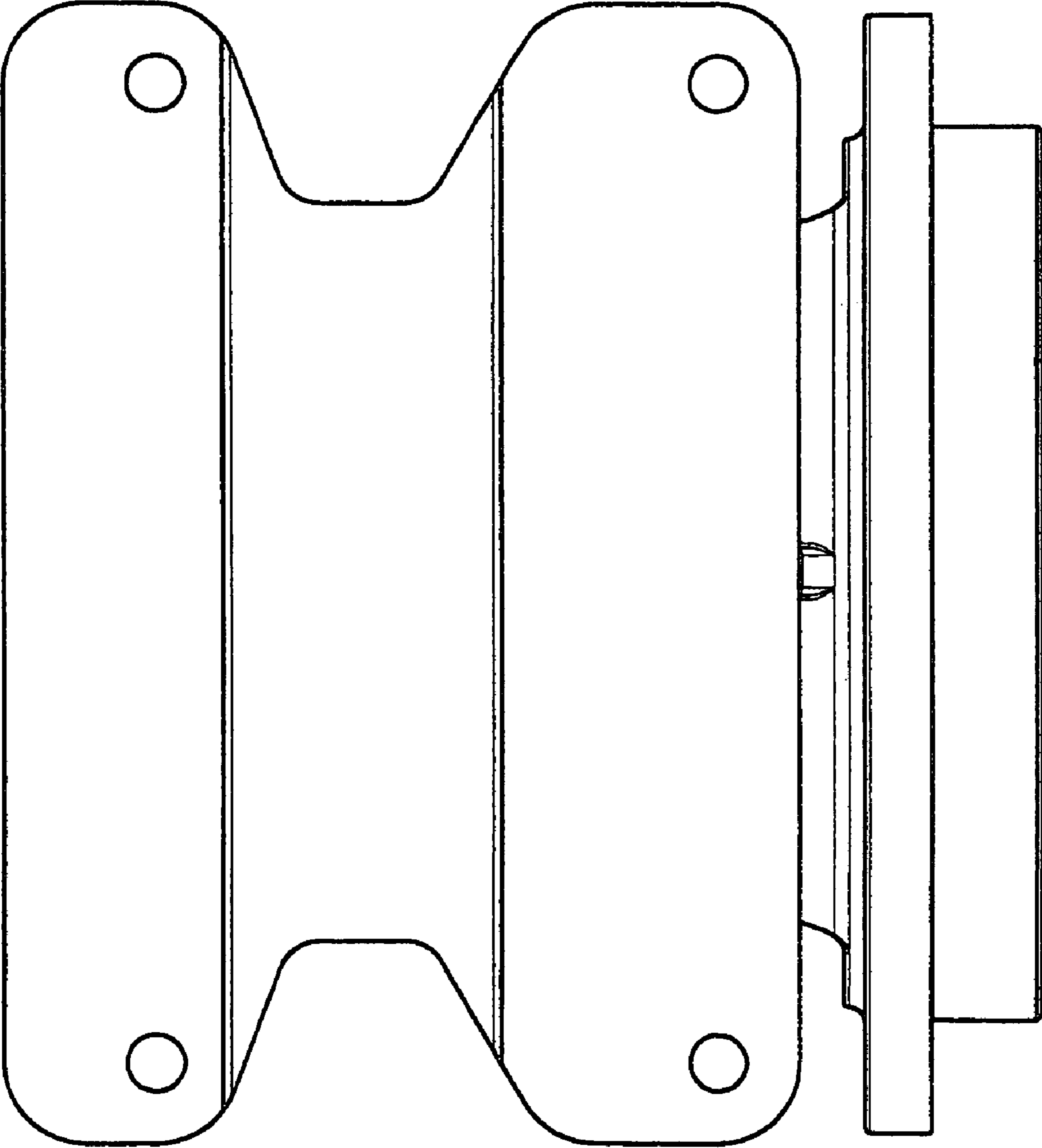


FIG. 7

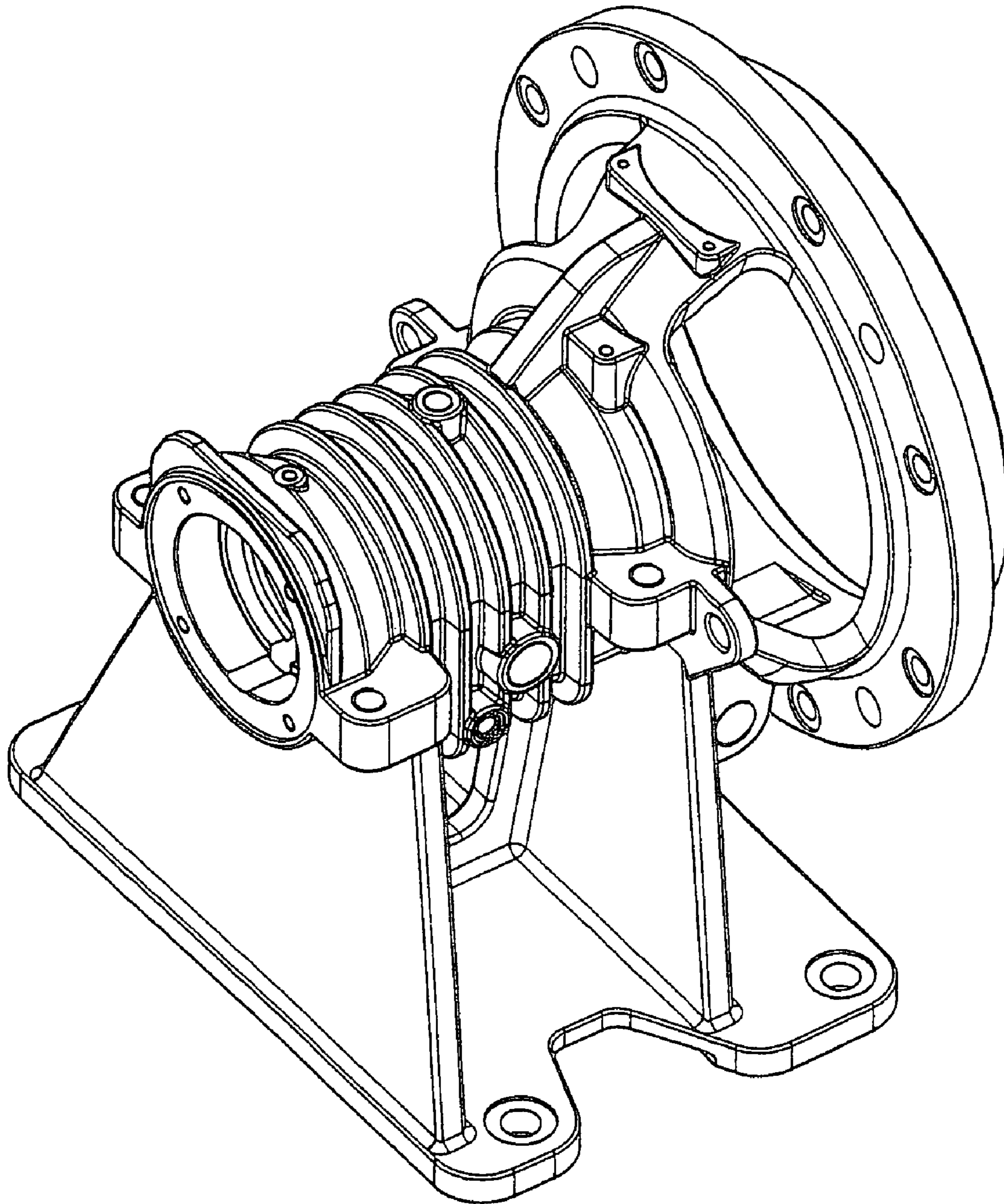


FIG. 8