



US00D604328S

(12) **United States Design Patent**
Sawai et al.

(10) **Patent No.:** **US D604,328 S**
(45) **Date of Patent:** **** Nov. 17, 2009**

(54) **ROBOTOMORPHIC AUDIO PLAYER**

(75) Inventors: **Kunihito Sawai**, Tokyo (JP); **Tomohiro Yamada**, Tokyo (JP); **Wataru Kokubo**, Tokyo (JP); **Nobuhiko Ooguchi**, Tokyo (JP)

(73) Assignee: **Sony Corporation**, Tokyo (JP)

(**) Term: **14 Years**

(21) Appl. No.: **29/309,576**

(22) Filed: **Sep. 5, 2008**

Related U.S. Application Data

(63) Continuation of application No. 29/268,005, filed on Oct. 27, 2006, now Pat. No. Des. 582,941, and a continuation of application No. 29/268,006, filed on Oct. 27, 2006, now Pat. No. Des. 583,826, and a continuation of application No. 29/268,007, filed on Oct. 27, 2006, now Pat. No. Des. 579,024, and a continuation of application No. 29/268,008, filed on Oct. 27, 2006, now Pat. No. Des. 579,951.

(30) **Foreign Application Priority Data**

Apr. 27, 2006 (JP) D2006-011029
Apr. 27, 2006 (JP) D2006-011030
Apr. 27, 2006 (JP) D2006-011031
Apr. 27, 2006 (JP) D2006-011032

(51) **LOC (9) Cl.** **14-03**

(52) **U.S. Cl.** **D14/496**

(58) **Field of Classification Search** D14/496,
D14/401, 435, 474, 483, 217, 137, 138, 160,
D14/168; 345/156, 169, 173-179, 905; 715/727-729,
715/864; 710/1, 5, 8; 713/1, 600; 455/11,
455/1.7, 73, 344-347, 93, 95; 370/342-344;
369/1, 2, 6, 12; 463/43-47; 273/148 B

See application file for complete search history.

(56) **References Cited**

U.S. PATENT DOCUMENTS

2,911,613 A * 11/1959 White et al. 439/660
5,456,626 A * 10/1995 Ming-Kang 446/397

(Continued)

Primary Examiner—Prabhakar Deshmukh

(74) *Attorney, Agent, or Firm*—Rader, Fishman & Grauer, PLLC

(57) **CLAIM**

The ornamental design for a robotomorphic audio player, as shown and described.

DESCRIPTION

FIG. 1 is a perspective view of a first embodiment of a robotomorphic audio player showing our new design, wherein a ring portion thereof is rotatable;

FIG. 2 is a front elevational view thereof;

FIG. 3 is a rear elevational view thereof;

FIG. 4 is a right side elevational view thereof;

FIG. 5 is a top plan view thereof;

FIG. 6 is a bottom plan view thereof;

FIG. 7 is a perspective view of a second embodiment of a robotomorphic audio player showing our new design, wherein a ring portion thereof is rotatable;

FIG. 8 is a front elevational view thereof;

FIG. 9 is a rear elevational view thereof;

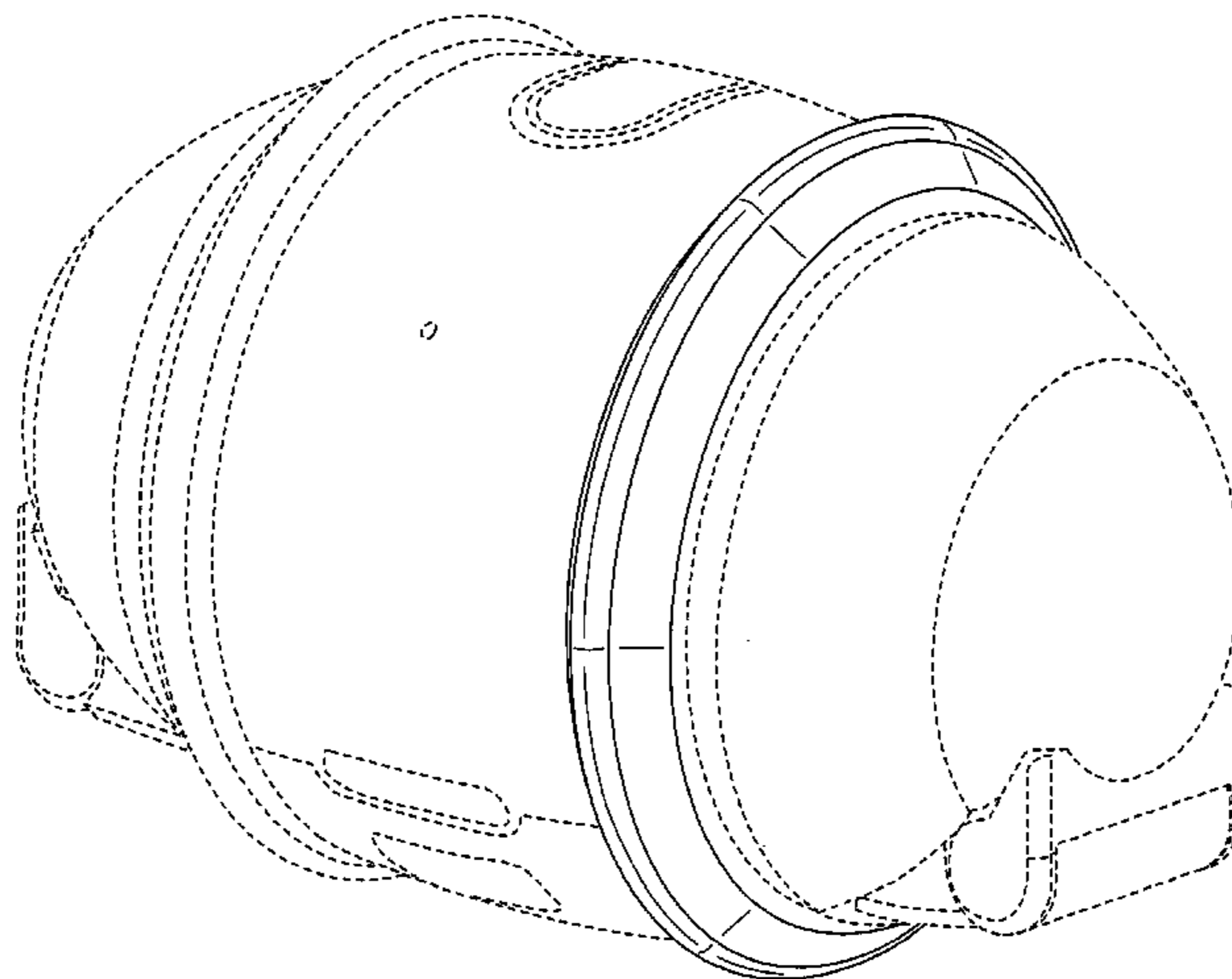
FIG. 10 is a right side elevational view thereof;

FIG. 11 is a top plan view thereof; and,

FIG. 12 is a bottom plan view thereof.

The broken lines environmental are for illustrative purposes only and form no part of the claimed design.

1 Claim, 12 Drawing Sheets



US D604,328 S

Page 2

U.S. PATENT DOCUMENTS

D393,642 S	4/1998	Yuyama	6,623,072 B1	9/2003	Mellace
D413,889 S	9/1999	Nakano	D481,702 S	11/2003	Takagi
D429,717 S	8/2000	Kizawa	6,773,344 B1	8/2004	Gabai et al.
D430,142 S *	8/2000	Kuo et al.	6,778,073 B2	8/2004	Lutter et al.
D430,852 S *	9/2000	Miyashita D14/216	D512,406 S	12/2005	Shimizu
D432,116 S	10/2000	Ichikawa et al. D13/158	D518,065 S	3/2006	Kobayashi
D446,511 S	8/2001	Kanno et al.	D530,306 S	10/2006	Wang et al.
6,381,515 B1	4/2002	Inoue et al.	D533,185 S	12/2006	Ishida et al.
D463,400 S	9/2002	Narita	D541,260 S	4/2007	Christianson
D465,468 S	11/2002	Kanno	7,207,860 B2	4/2007	Hornsby et al.
D467,574 S	12/2002	Suzuki et al.	D543,994 S	6/2007	Kurihara
D471,179 S	3/2003	Suzuki et al.	D549,239 S	8/2007	Chen
D472,543 S	4/2003	Shintani	D555,168 S	11/2007	Lin
D476,310 S	6/2003	Hisatsune	7,338,341 B2	3/2008	Hornsby et al.

* cited by examiner

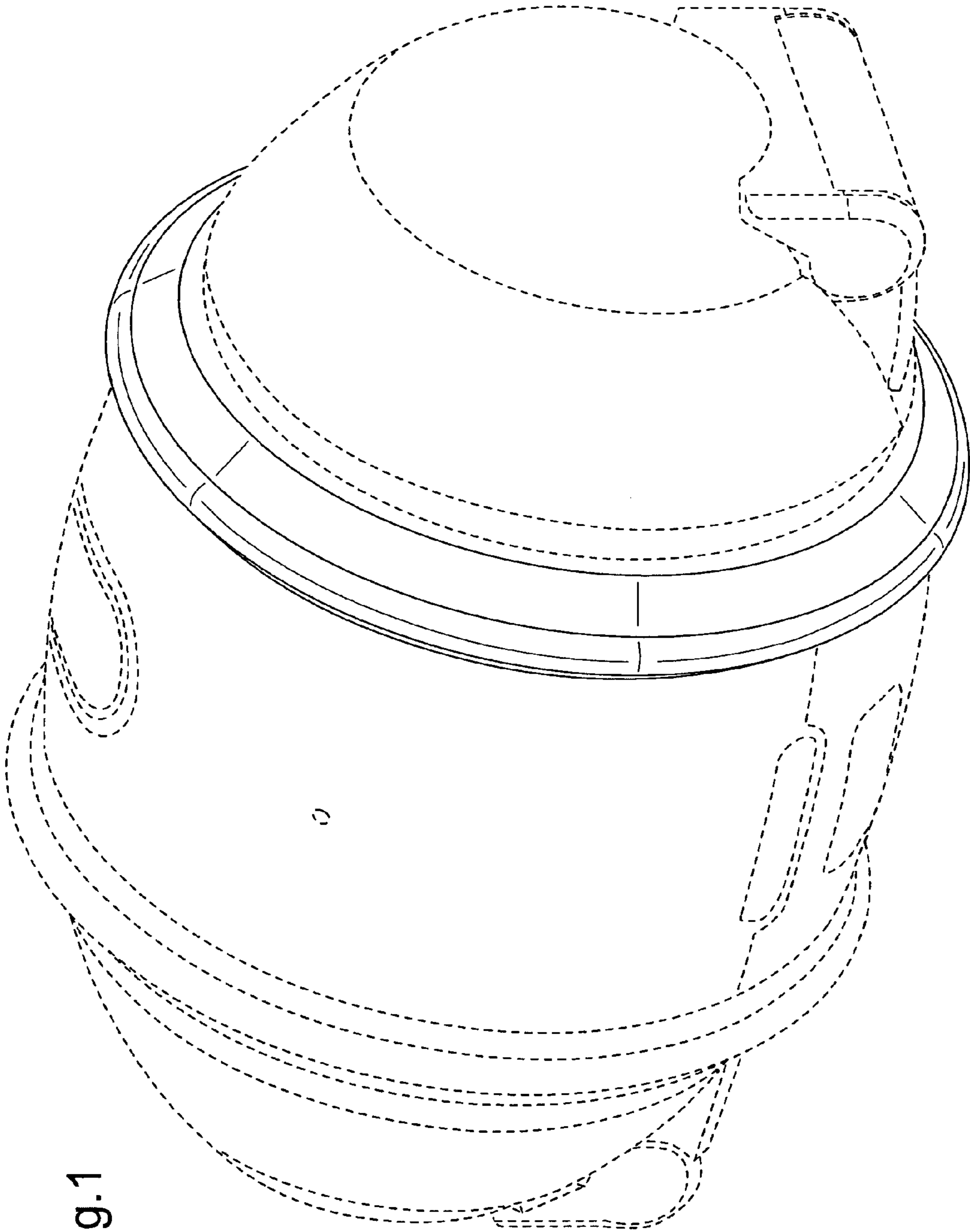


Fig.1

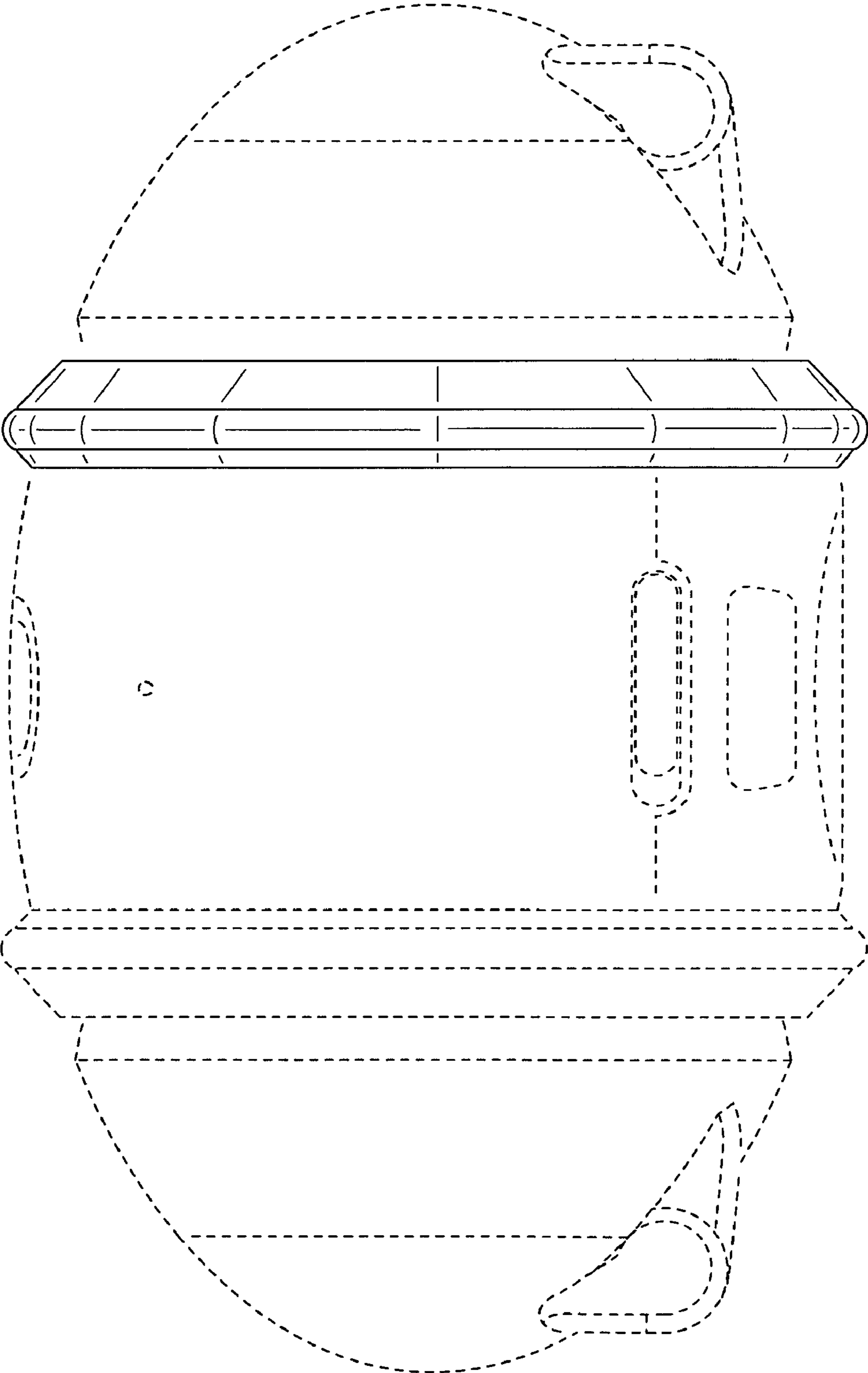


Fig.2

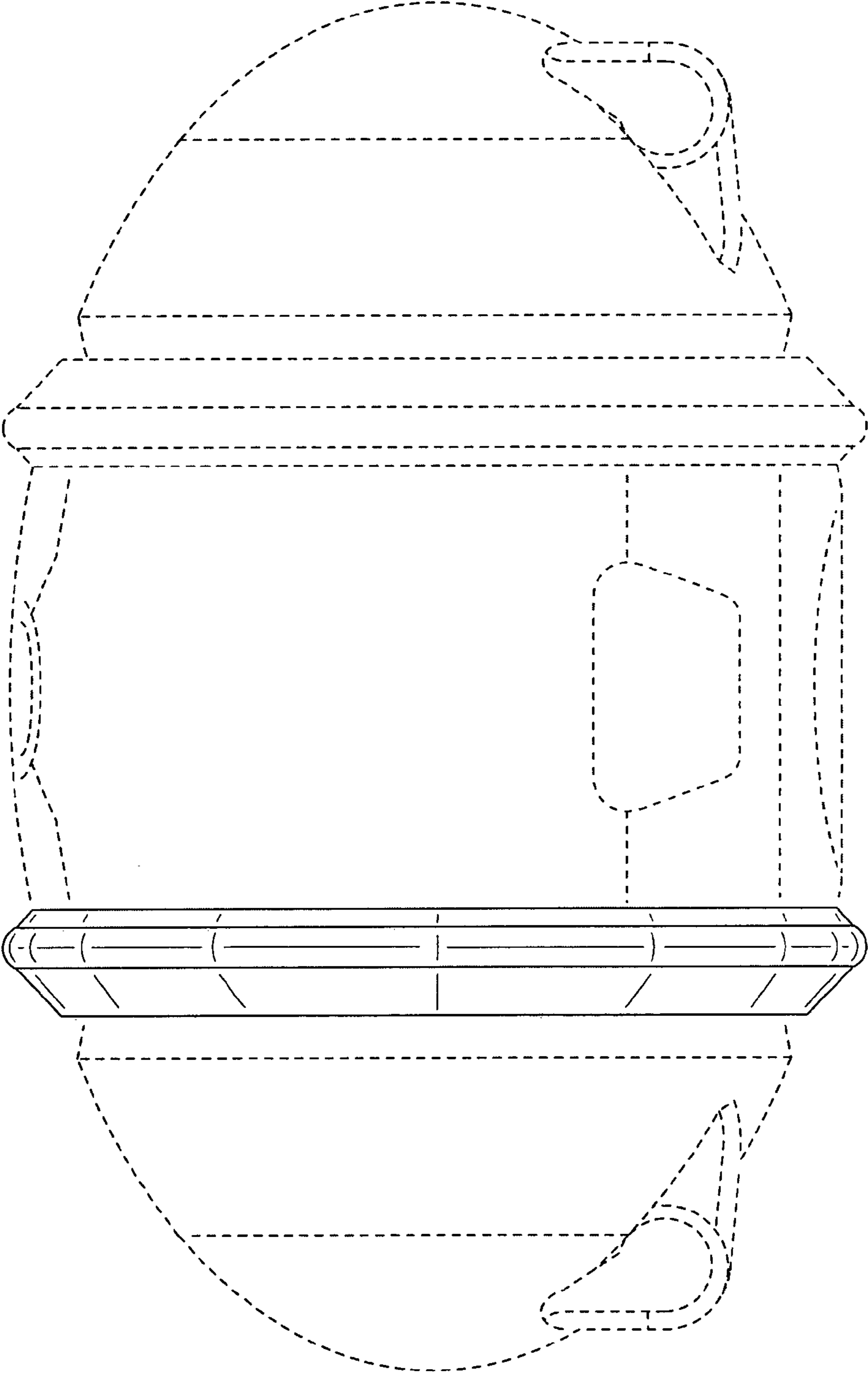


Fig.3

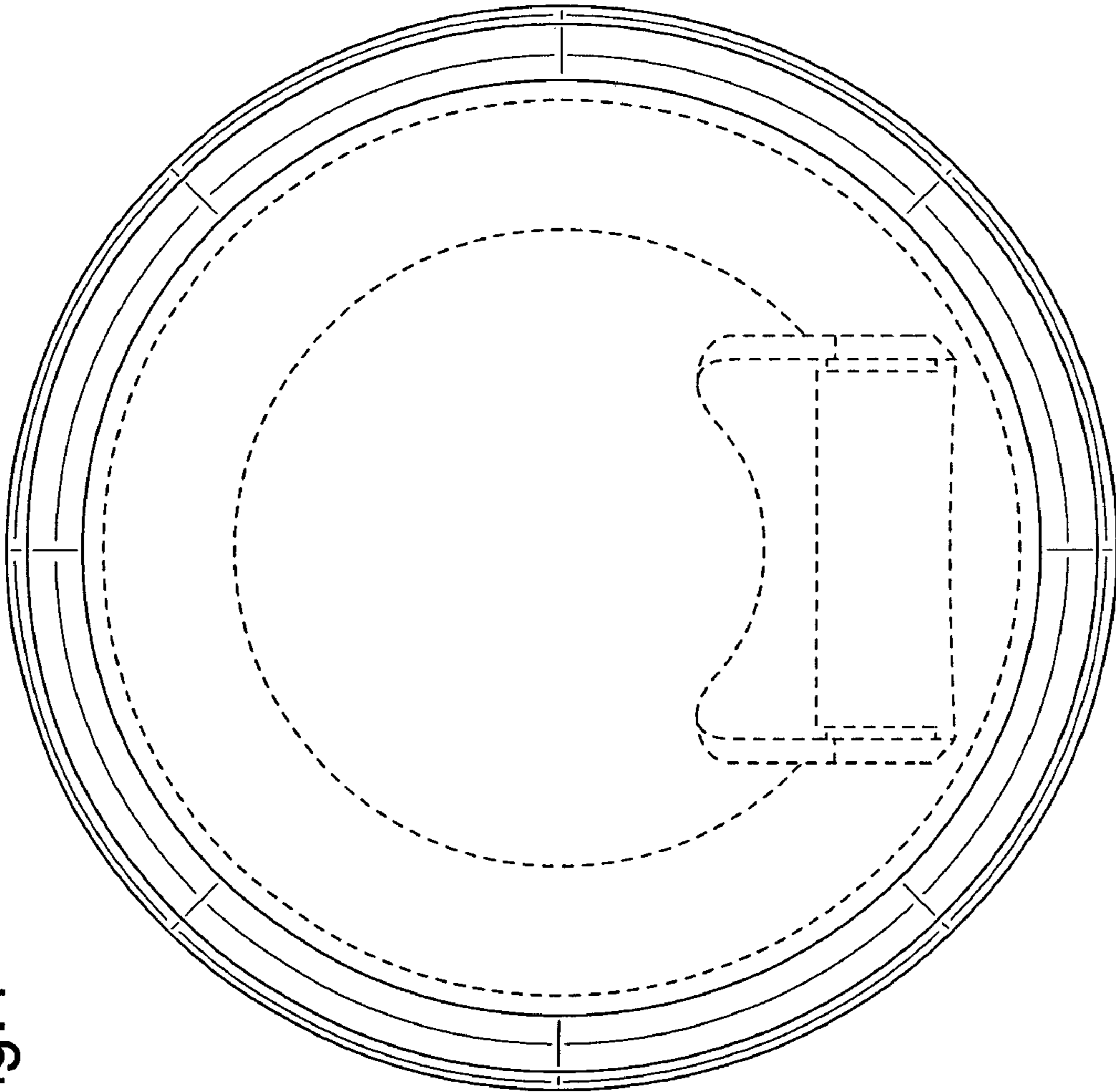


Fig.4

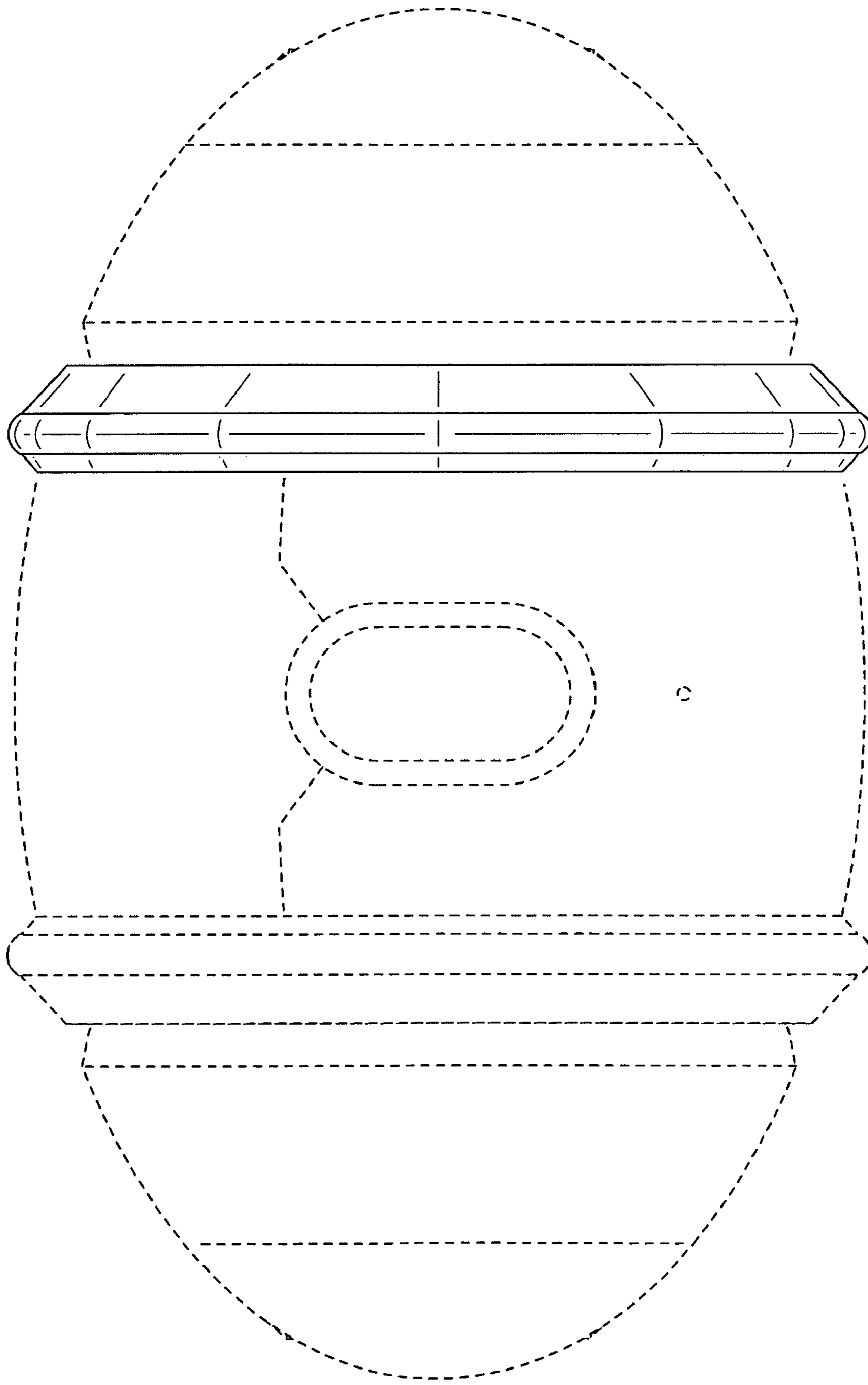


Fig.5

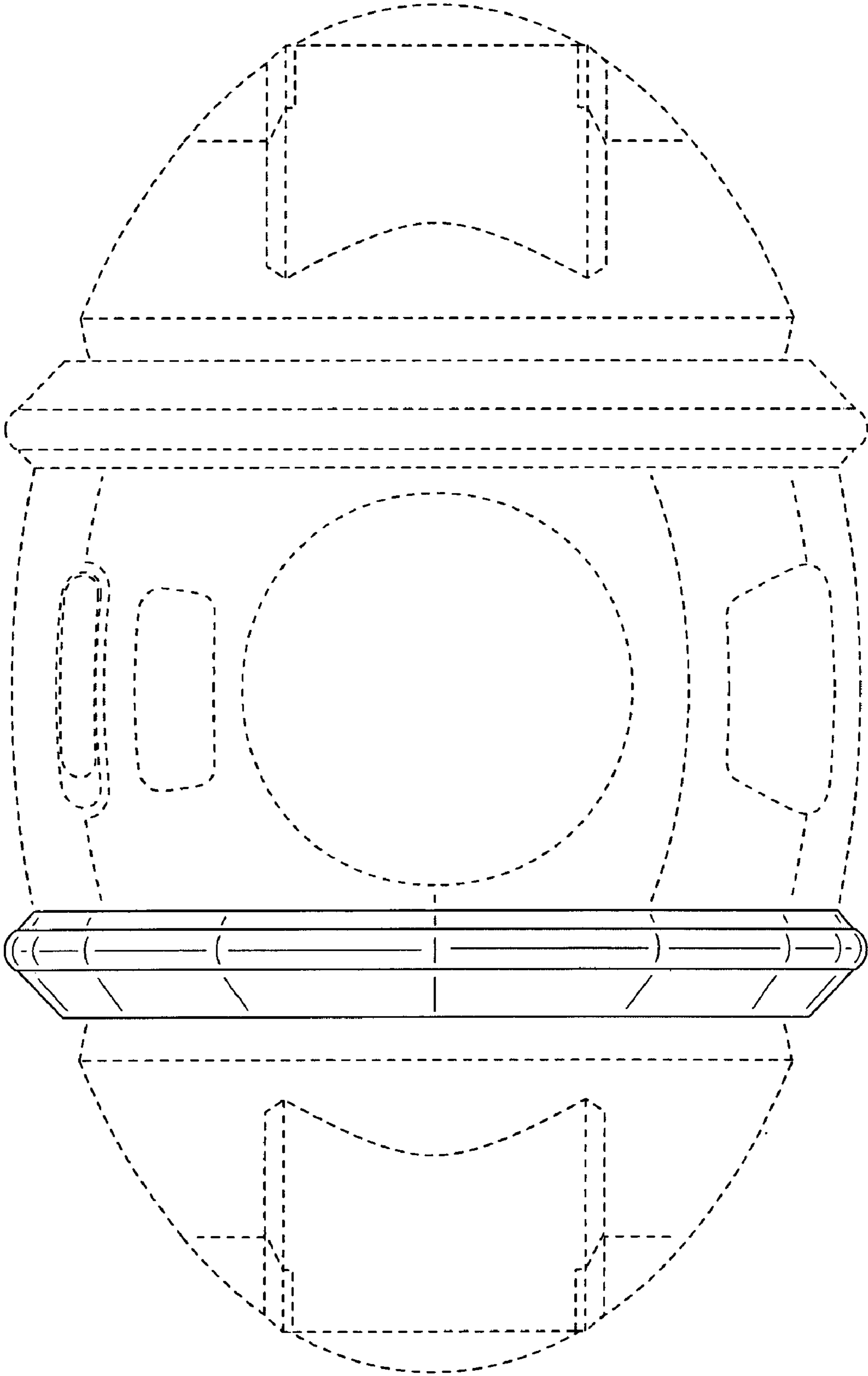


Fig.6

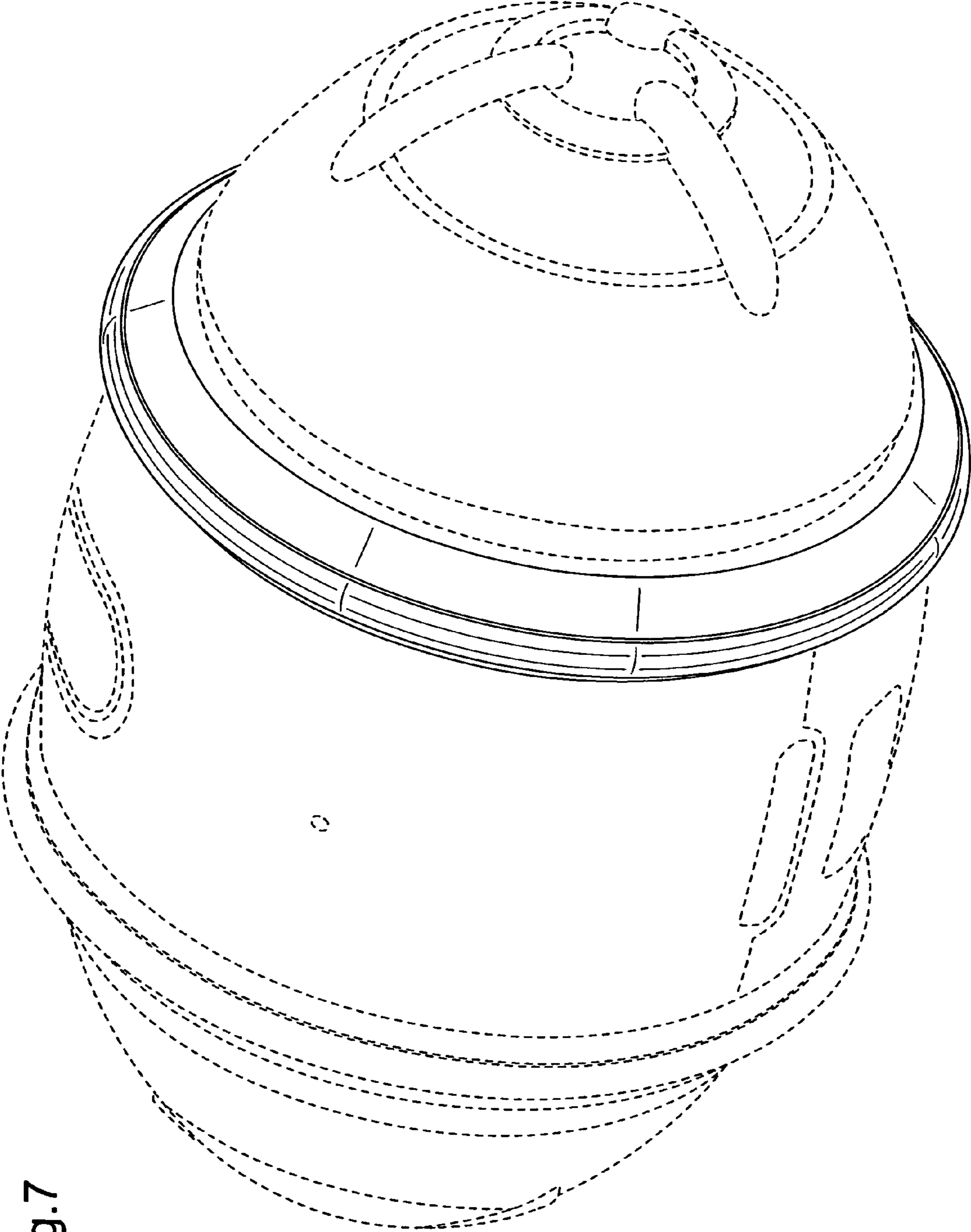


Fig.7

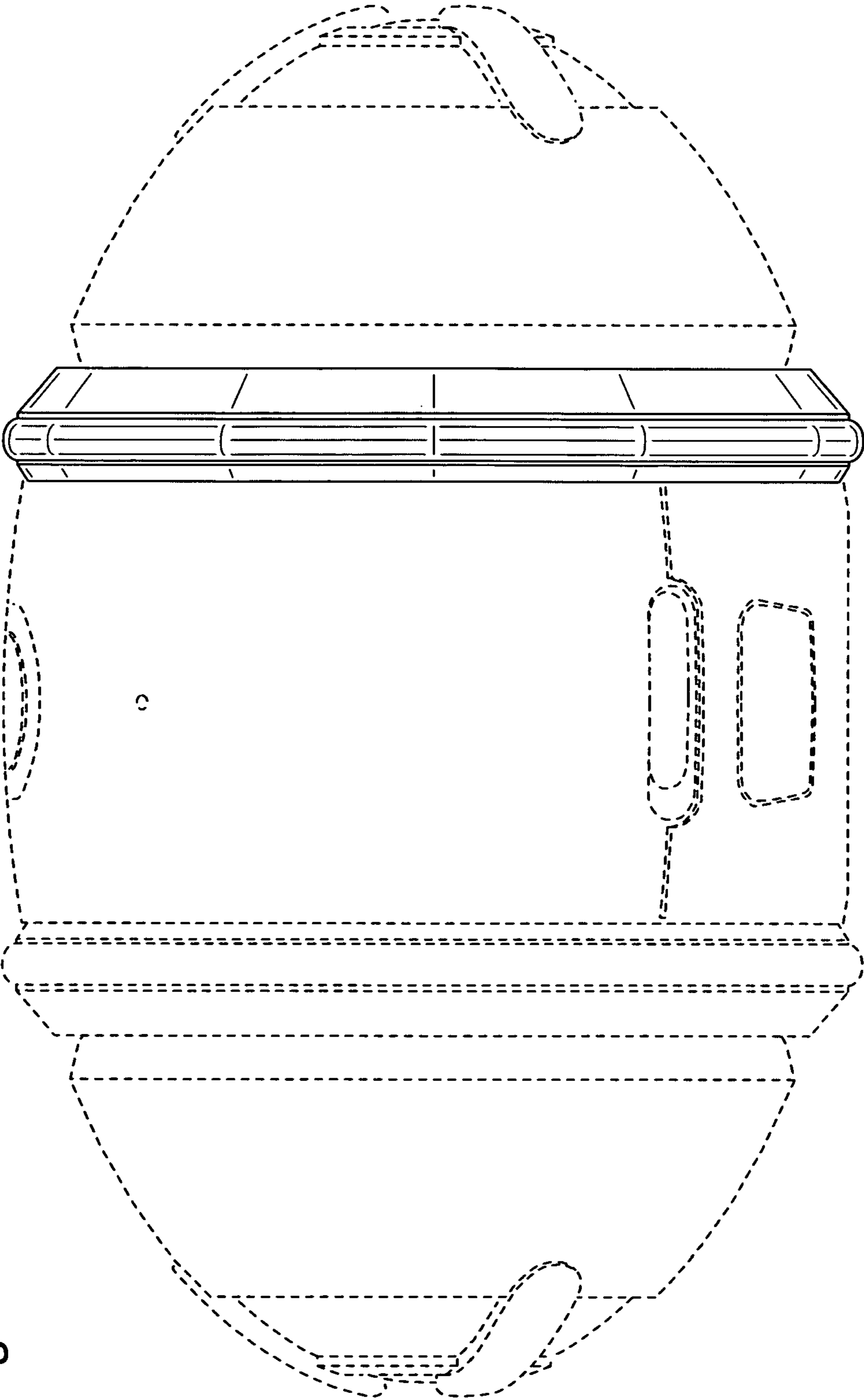


Fig.8

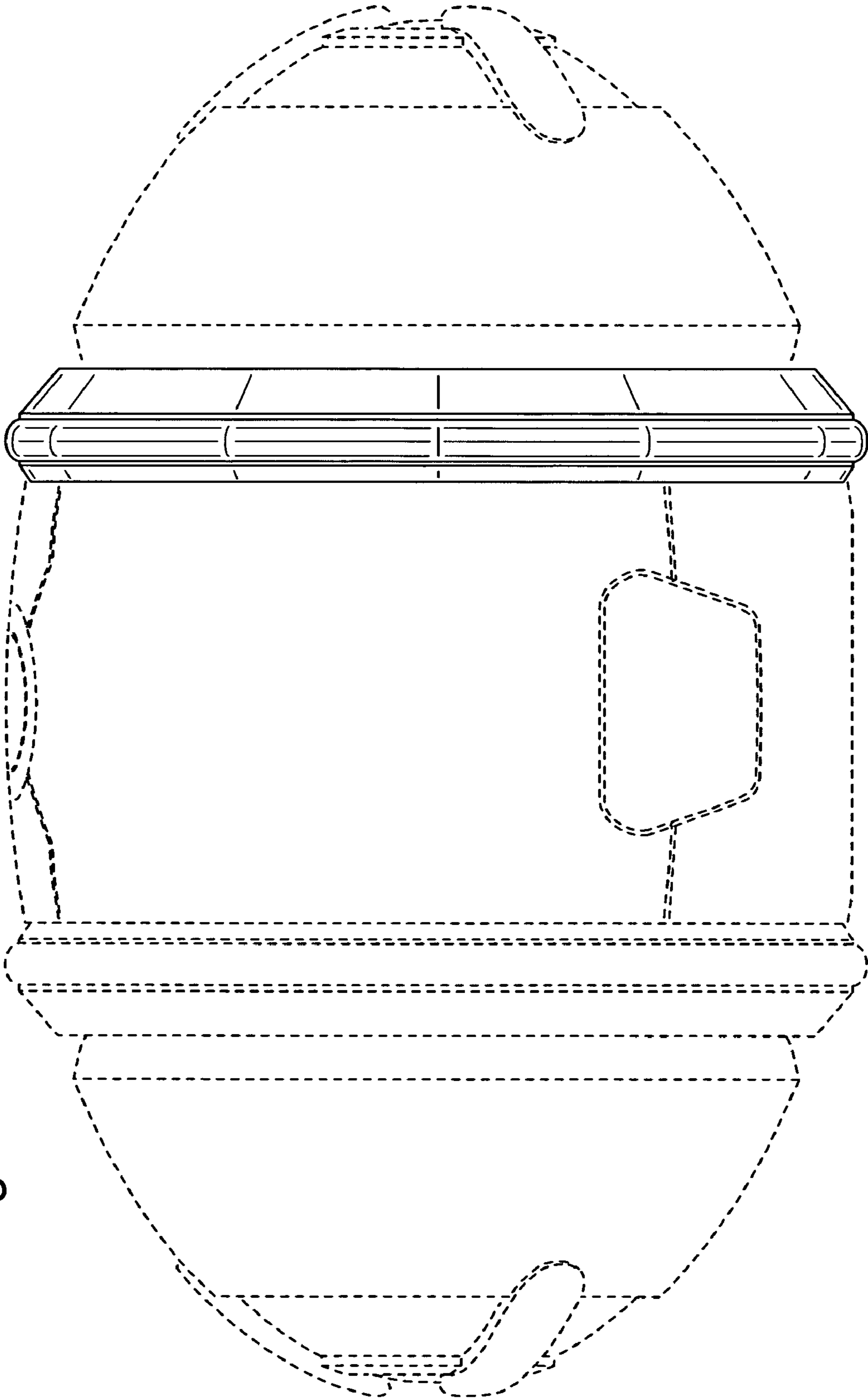


Fig. 9

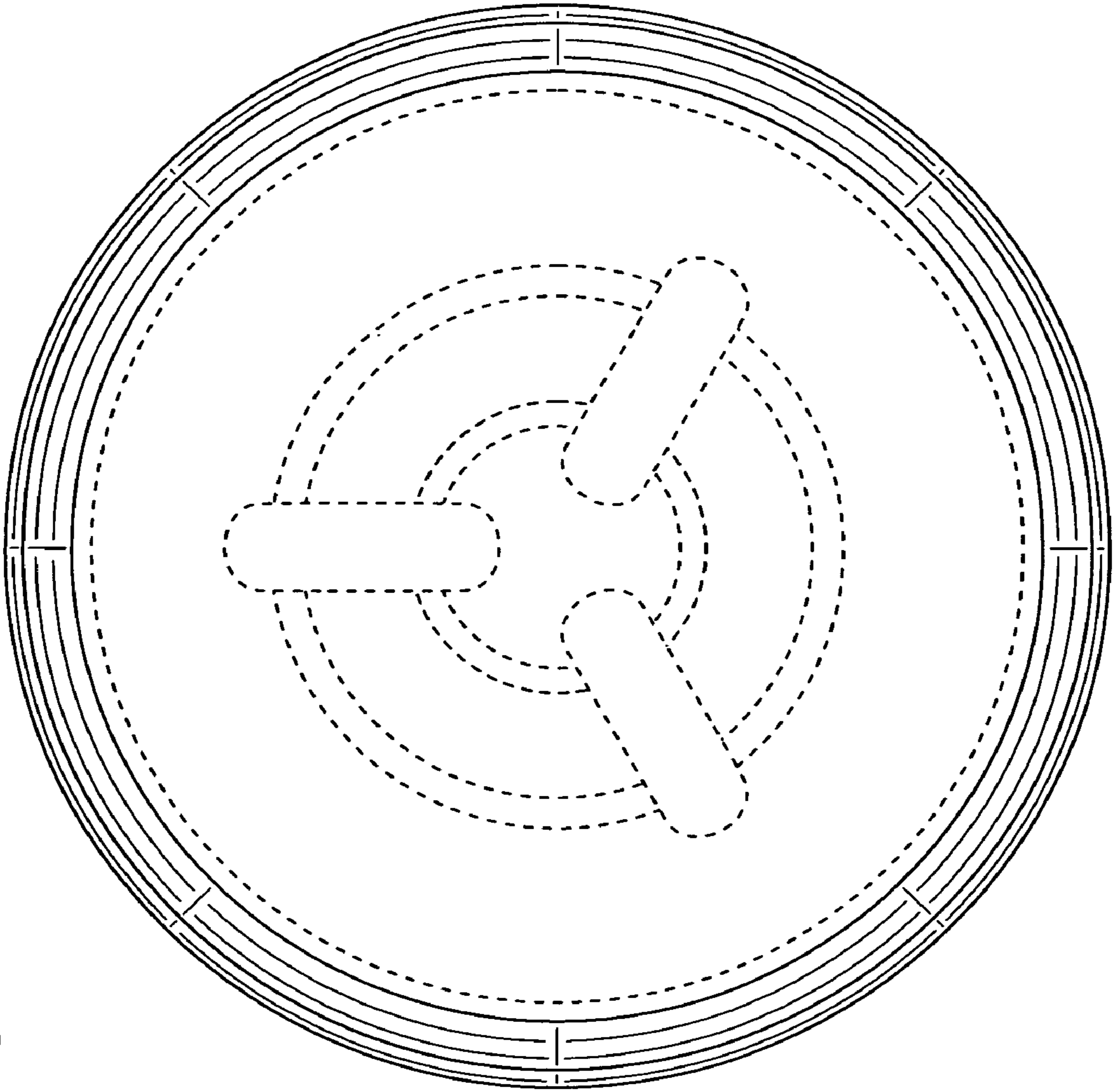


Fig. 10

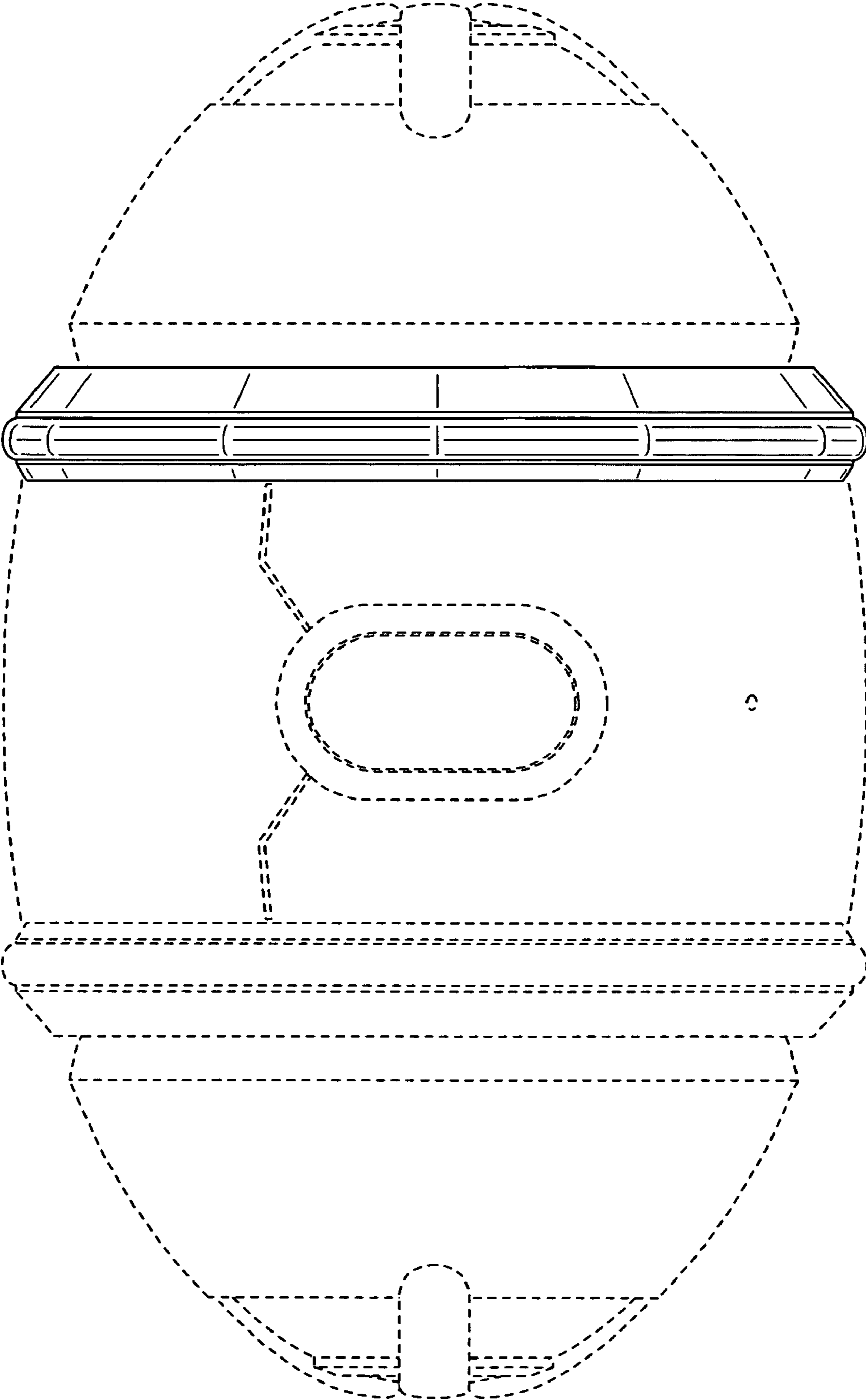


Fig.11

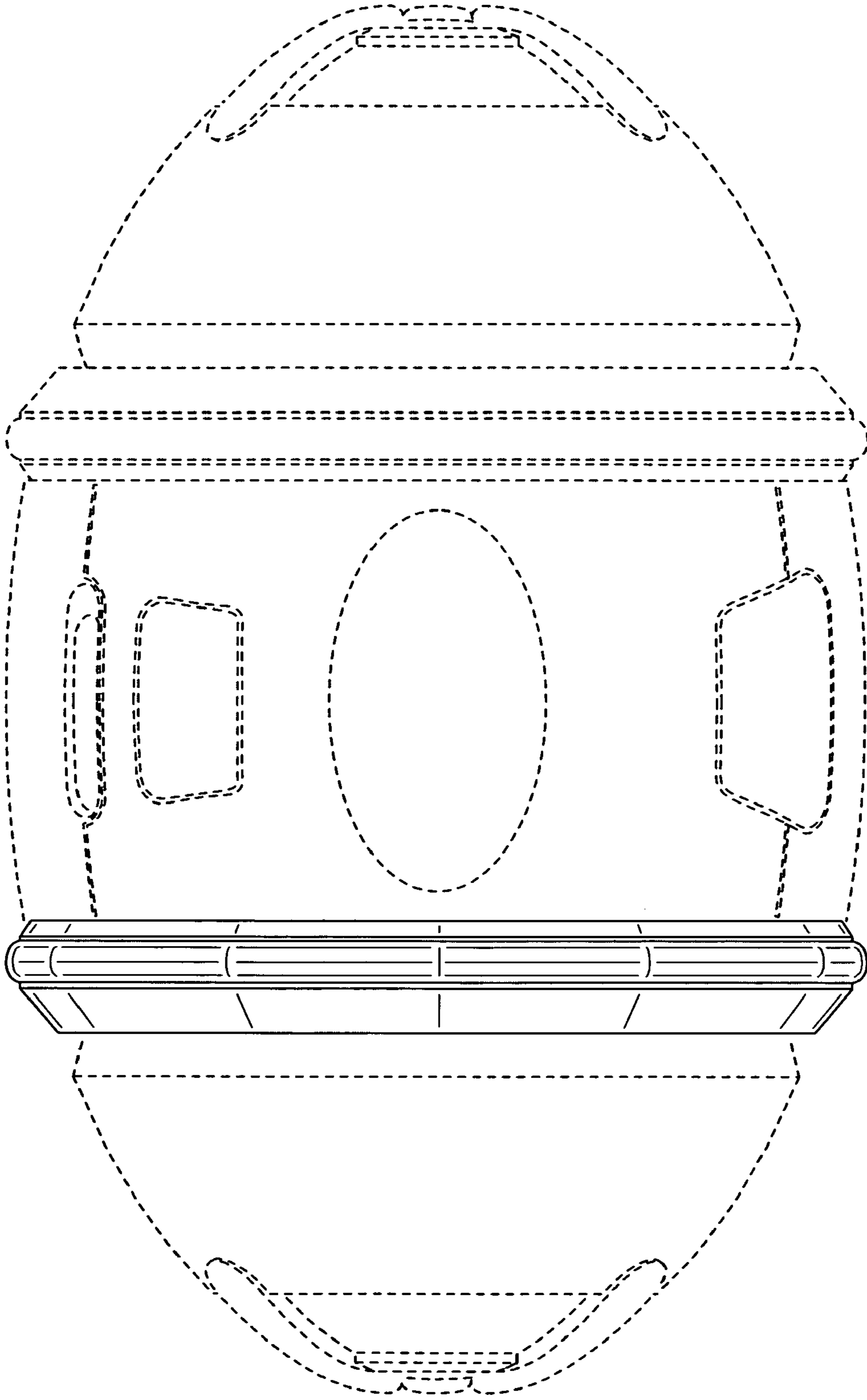


Fig.12