

US00D604303S

(12) **United States Design Patent**
Boyd

(10) **Patent No.:** **US D604,303 S**

(45) **Date of Patent:** **** Nov. 17, 2009**

(54) **HANDLE**

(75) Inventor: **Barry Boyd, Oakville (CA)**

(73) Assignee: **Psion Teklogix Inc., Mississauga, Ontario (CA)**

(**) Term: **14 Years**

(21) Appl. No.: **29/331,373**

(22) Filed: **Jan. 23, 2009**

(30) **Foreign Application Priority Data**

Jul. 25, 2008 (CA) 127025

(51) **LOC (9) Cl.** **14-02**

(52) **U.S. Cl.** **D14/453; D14/428**

(58) **Field of Classification Search** D14/420, D14/426-430, 453, 346, 341, 347, 412; D13/107, D13/184; 358/473; 235/462.43, 462.45, 235/462.47, 462.48, 462.44, 462.46, 487, 235/472.01, 472.02; 16/110.1, 430, 431; 439/133, 135; 709/219, 201; 710/73; 320/114, 320/115, 123; 361/679; 382/313, 321; 455/575.1, 455/561, 572

See application file for complete search history.

(56) **References Cited**

U.S. PATENT DOCUMENTS

D385,924 S * 11/1997 Tyler D14/418
5,736,726 A * 4/1998 VanHorn et al. 235/472.02
6,095,421 A * 8/2000 Barkan et al. 235/462.22
6,244,513 B1 * 6/2001 Schlieffers et al. 235/472.01

D460,075 S * 7/2002 Destefano et al. D14/428
D476,007 S * 6/2003 Crawford et al. D14/412
6,708,887 B1 * 3/2004 Garrett et al. 235/462.45
D509,829 S * 9/2005 MacGregor D14/453
D512,427 S * 12/2005 Choi et al. D14/428
D540,333 S * 4/2007 Croley et al. D14/453
2003/0234291 A1 * 12/2003 Wulff et al. 235/462.48
2005/0017078 A1 * 1/2005 Bhatia et al. 235/462.45

* cited by examiner

Primary Examiner—Susan Moon Lee

(74) *Attorney, Agent, or Firm*—Pearne & Gordon LLP

(57) **CLAIM**

The ornamental design for a handle, as shown and described.

DESCRIPTION

FIG. 1 is a front elevation view of a handle, showing my new design;

FIG. 2 is a top plan view thereof;

FIG. 3 is a bottom plan view thereof;

FIG. 4 is a left side elevation view thereof;

FIG. 5 is a right side elevation view thereof;

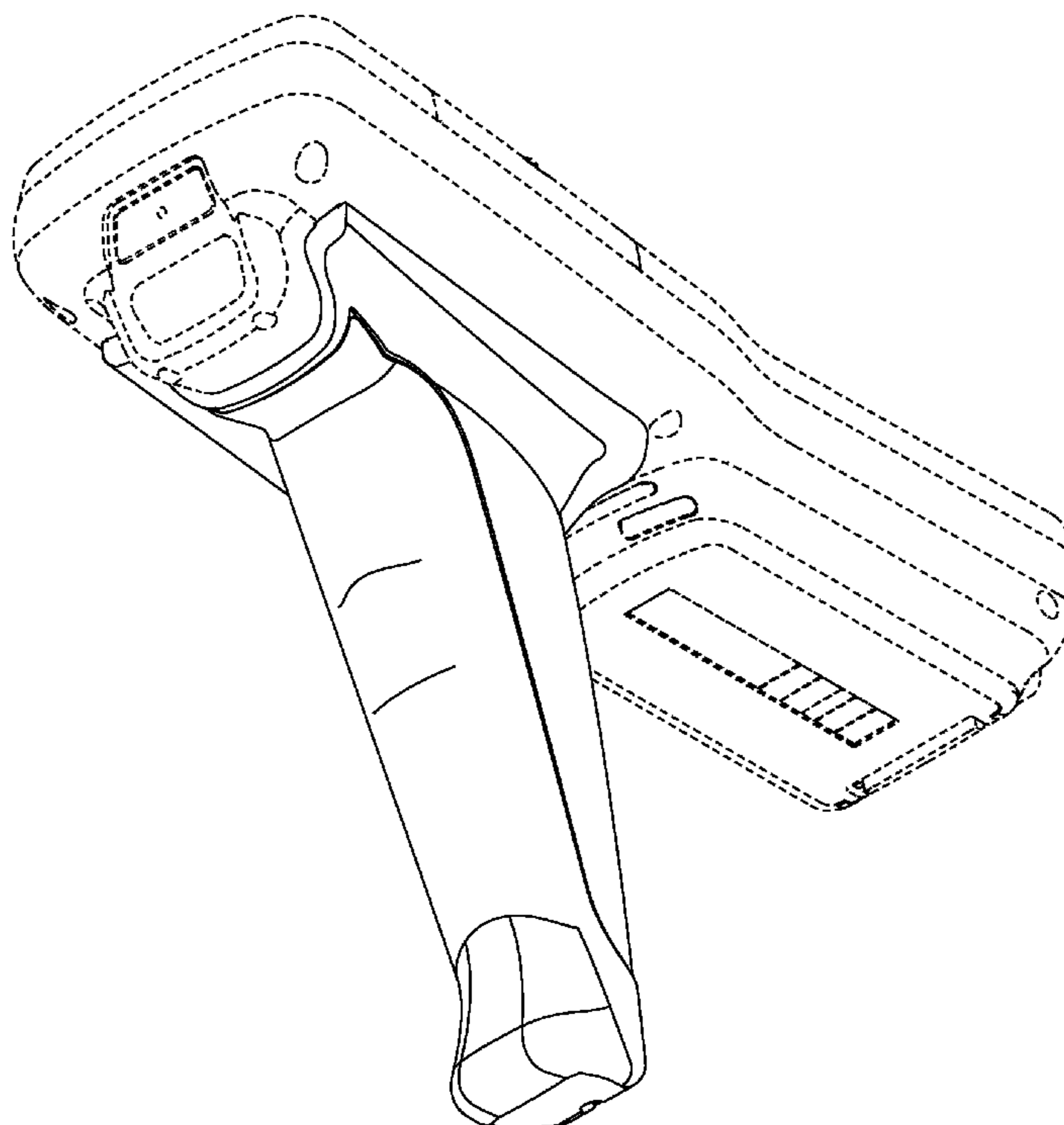
FIG. 6 is a top, front, right side perspective view thereof;

FIG. 7 is a bottom, back, left side perspective view thereof; and,

FIG. 8 is a bottom, back, left side perspective environmental view thereof.

The portions shown in broken line are not claimed.

1 Claim, 6 Drawing Sheets



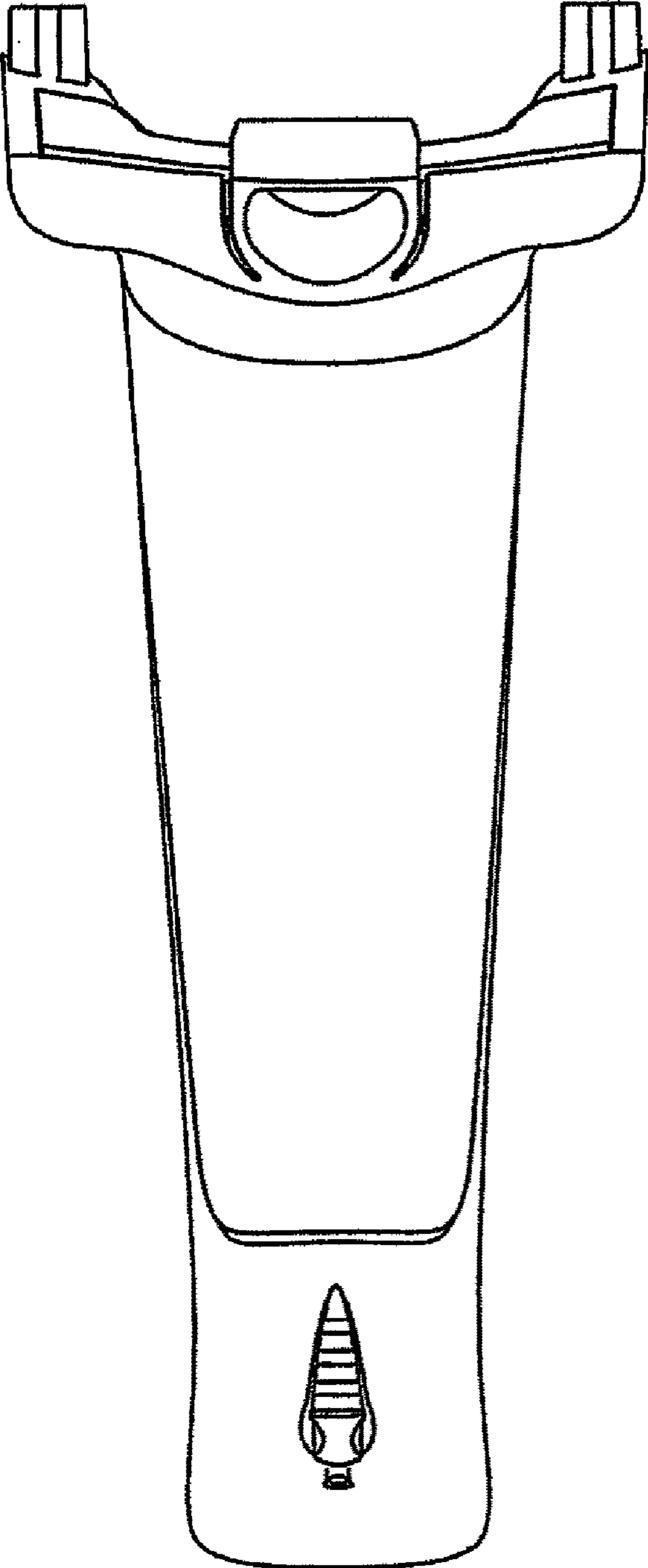


FIG. 1

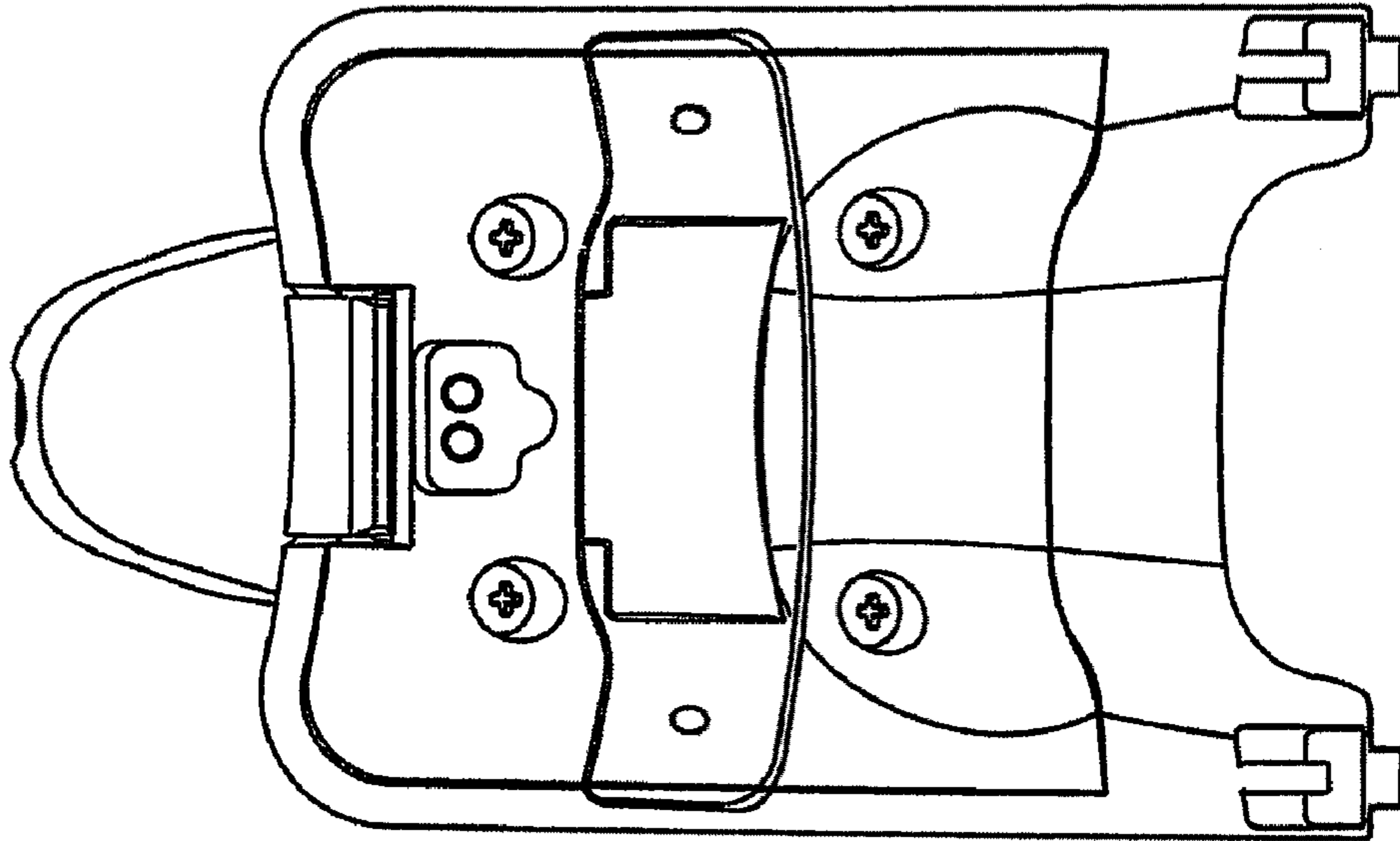


FIG. 2

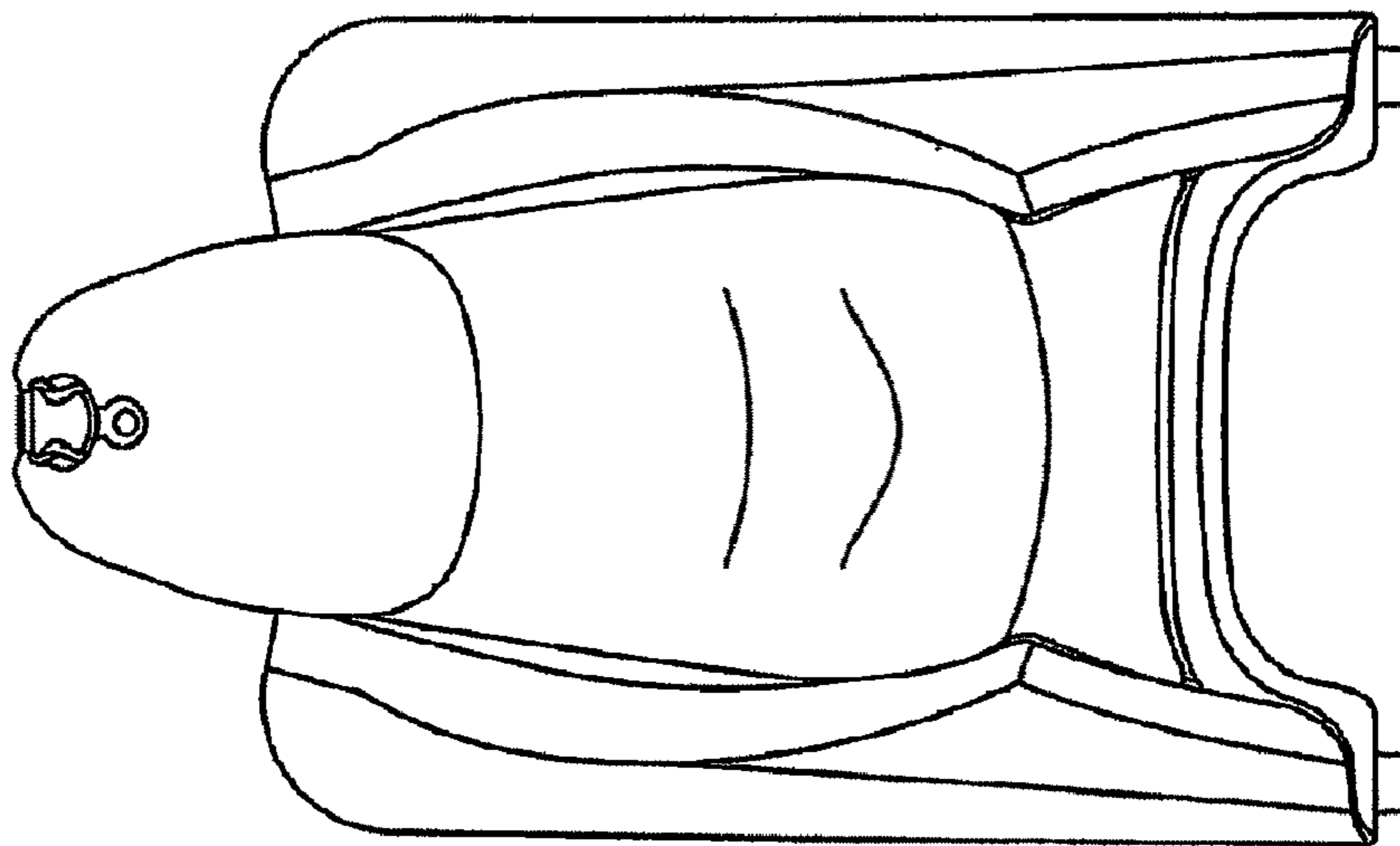


FIG. 3

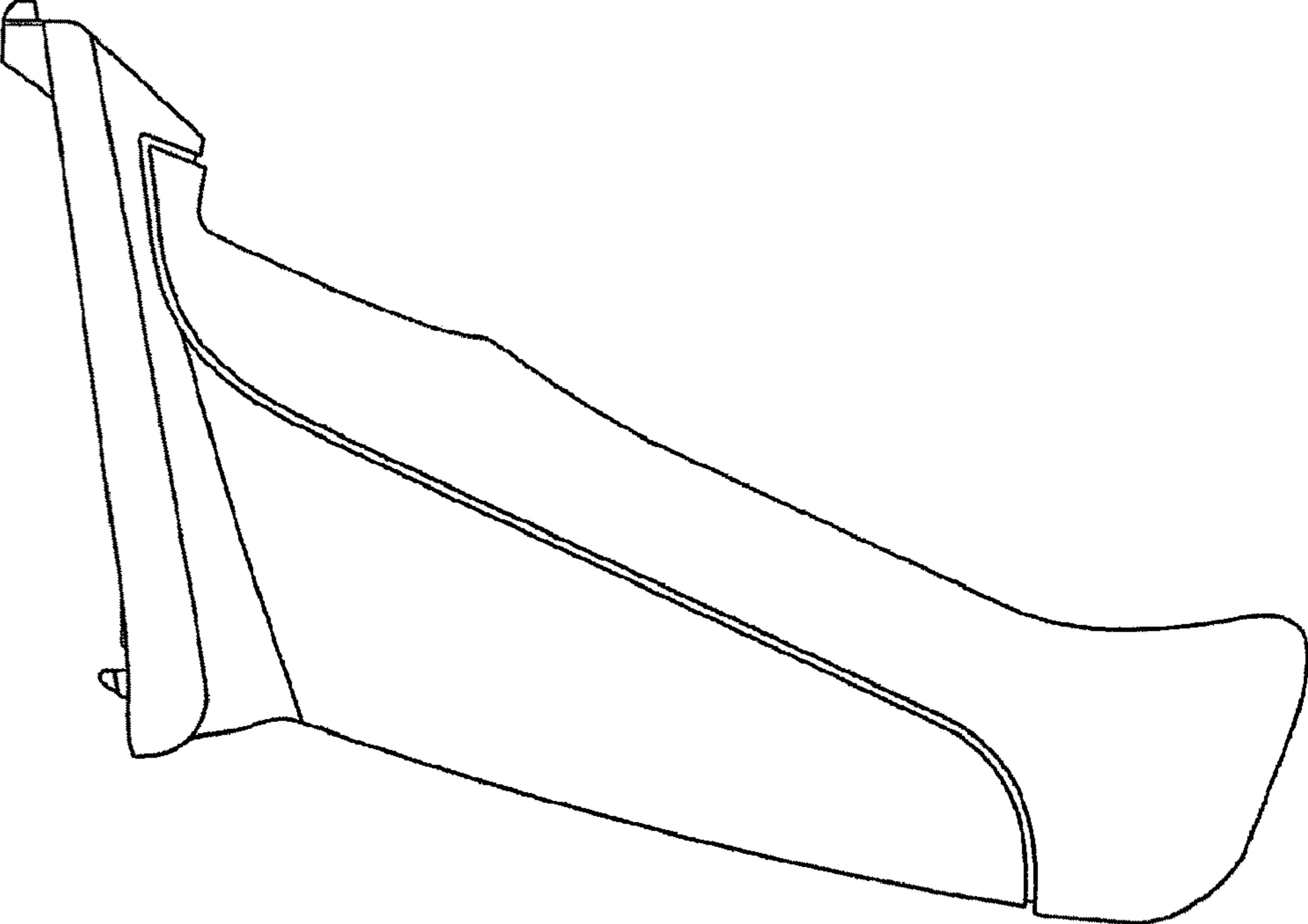


FIG. 5

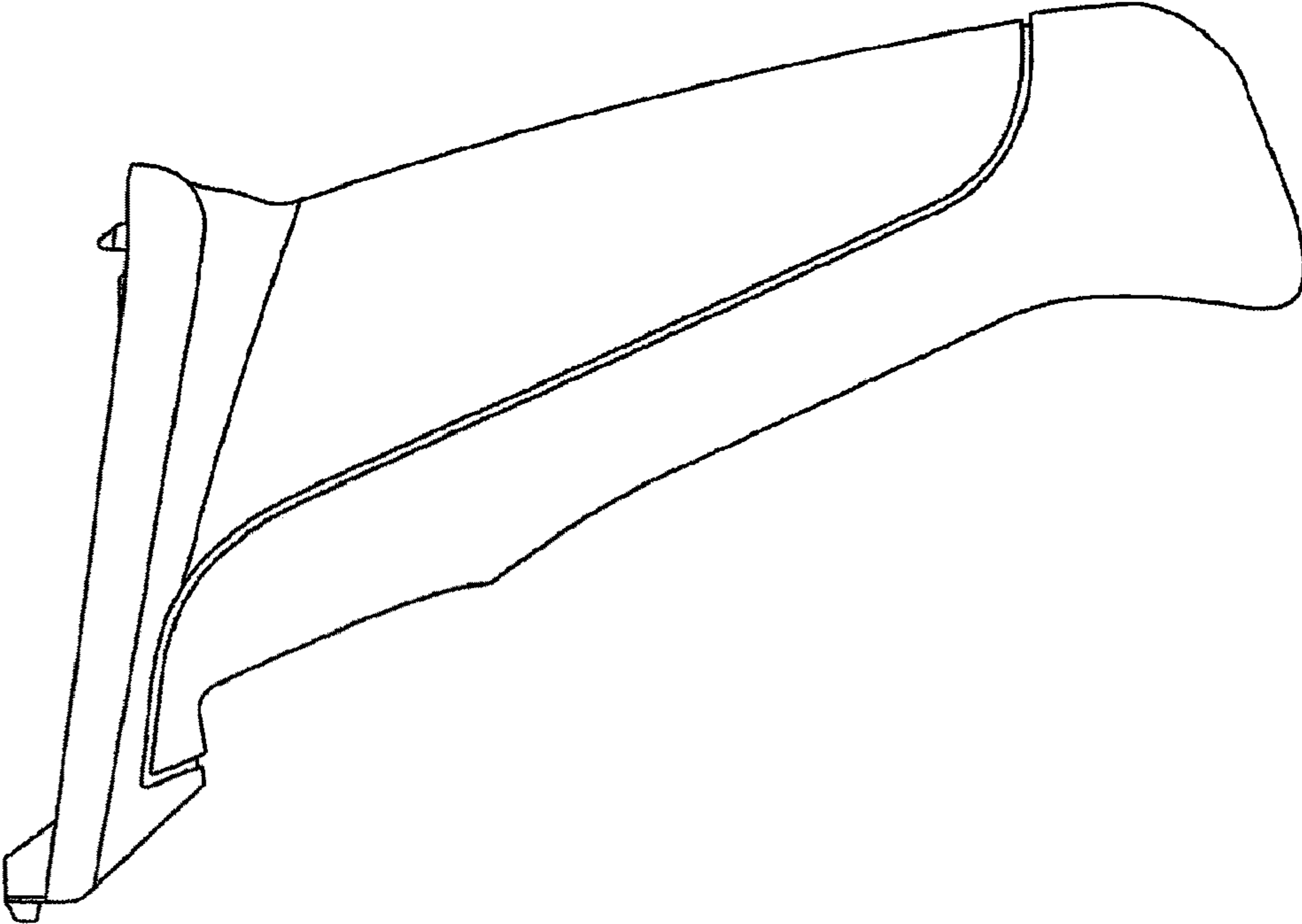


FIG. 4

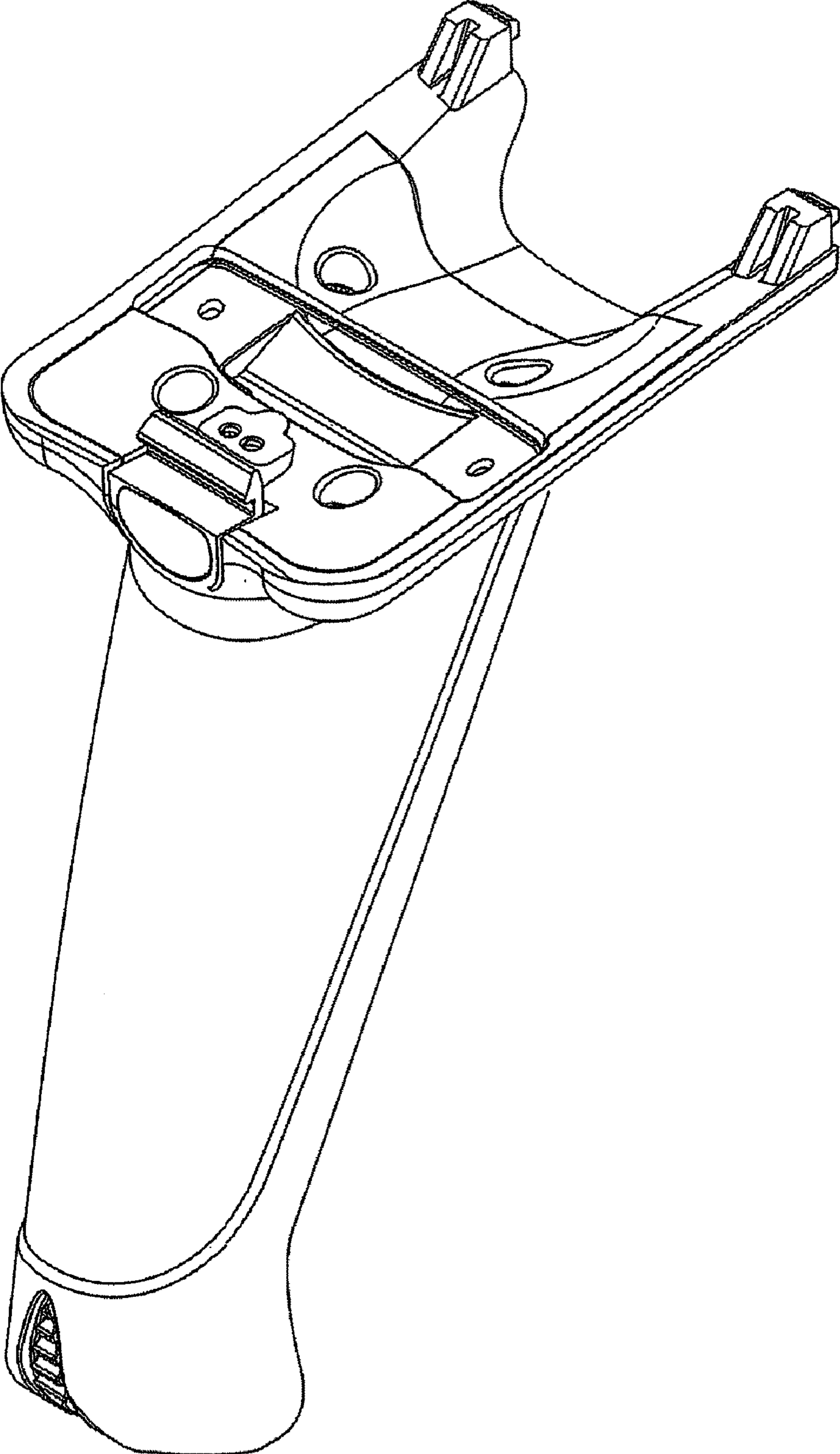


FIG. 6

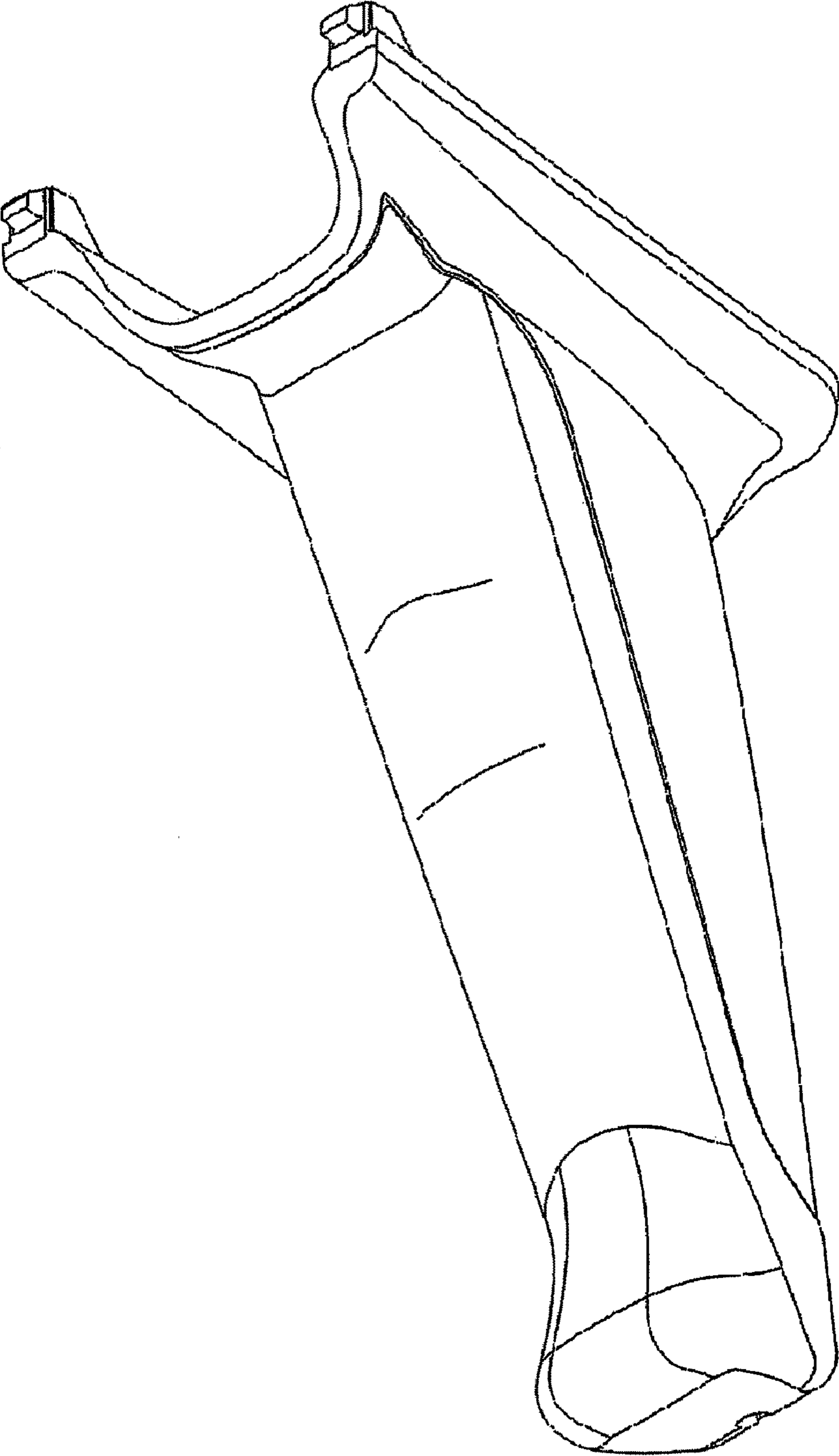


FIG. 7

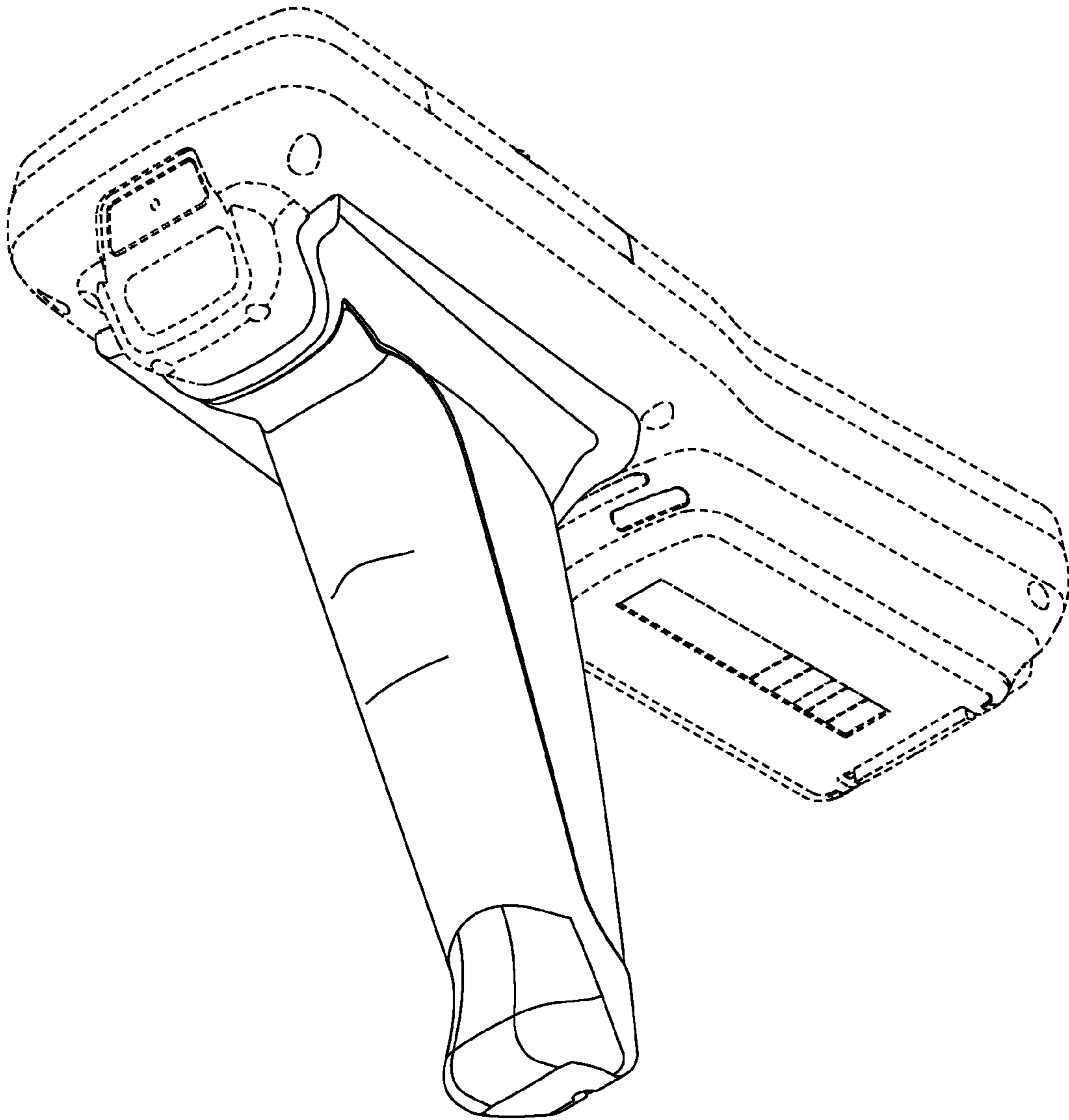


FIG. 8