



US00D604302S

(12) **United States Design Patent**
Staal

(10) **Patent No.:** **US D604,302 S**
(45) **Date of Patent:** **** Nov. 17, 2009**

(54) **HOUSING FOR TEST CHIP**

(75) Inventor: **Steven S. Staal**, Enschede (NL)

(73) Assignee: **Medimate Holding B.V.**, Enschede (NL)

(**) Term: **14 Years**

(21) Appl. No.: **29/325,530**

(22) Filed: **Oct. 2, 2008**

(30) **Foreign Application Priority Data**

Apr. 2, 2008 (EM) 000907639

(51) **LOC (9) Cl.** **14-02**

(52) **U.S. Cl.** **D14/435**

(58) **Field of Classification Search** D14/435,

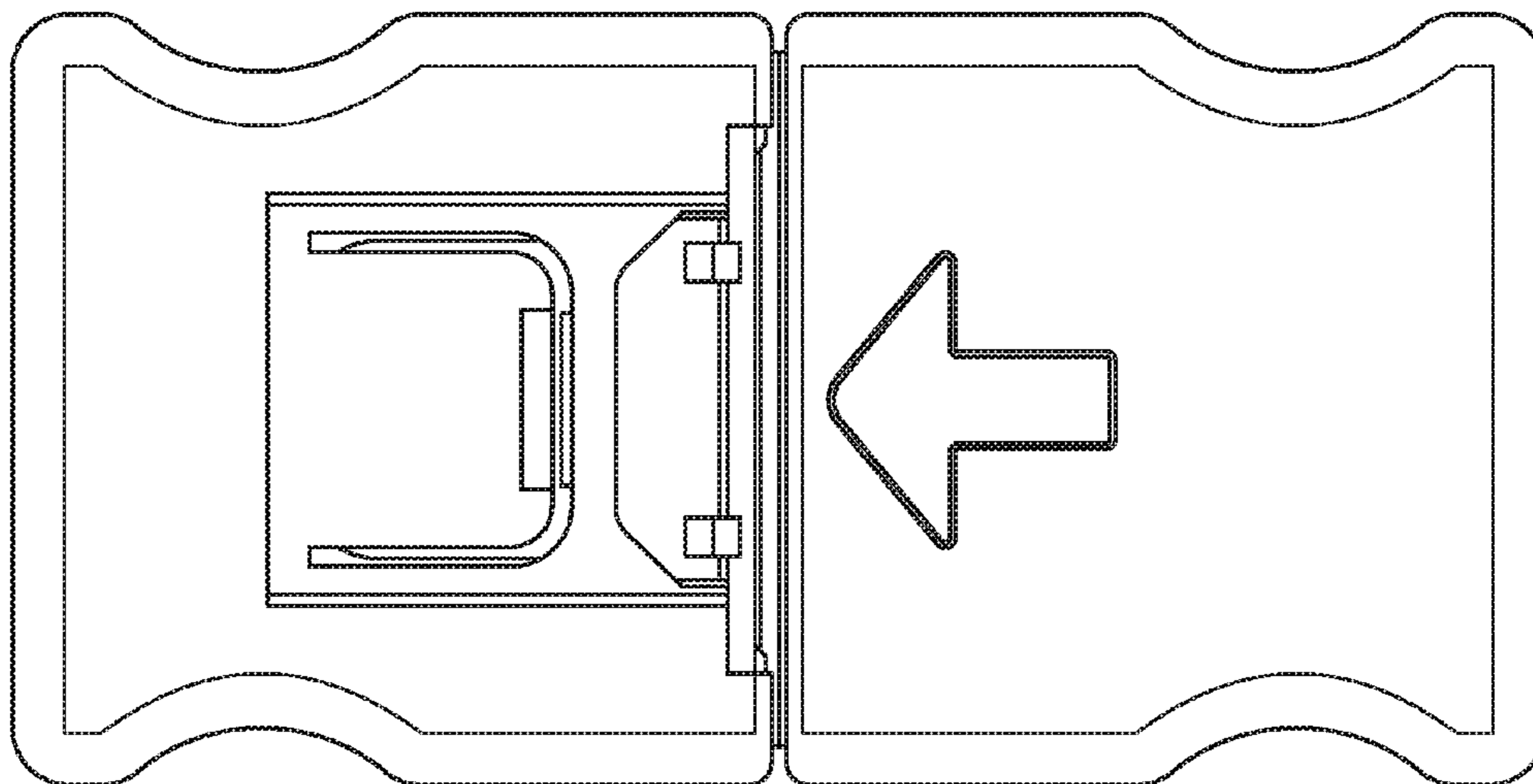
D14/436, 437, 438, 432, 356; D3/294, 273,
D3/201, 203.5, 203.6, 284, 295, 903, 203.1,
D3/203.2; D9/414, 422, 424, 430, 432, 415;
D28/83, 77, 78; D6/632, 407, 634, 635,
D6/627-629; 206/38, 38.1, 39, 232, 804,
206/815, 308.1, 308.3, 472, 473, 483, 474,
206/477, 480, 569, 570, 482, 485, 486, 320,
206/305, 307, 307.1, 450, 701, 722, 387.1,
206/387.13, 491, 455, 316.1, 316.2, 706,
206/725, 312, 223, 235, 236, 811, 710, 454,
206/531, 493, 445, 311, 823, 581, 574; 361/756,
361/686, 801, 802, 737, 752, 727; 150/147;
235/486, 487, 451, 492, 493, 380, 386; 242/378.2,
242/375, 385.1; 439/630, 945, 61, 135, 946;
53/471; 40/642.02; 224/277, 929; 220/4.22,
220/526, 281, 315, 326, 826, 263, 835, 324,
220/838, 4.23, 839; 16/361; 215/201; 211/40;
190/109, 117, 901; 312/244; 402/3, 76;
D7/629; D8/339, 330, 331, 343; 292/116,
292/137, 148, 156, 302, DIG. 11; 132/293-295,
132/298, 301, 300; D21/333

See application file for complete search history.

(56) **References Cited**

U.S. PATENT DOCUMENTS

4,320,430	A *	3/1982	Vogt	360/133
4,415,418	A	11/1983	Turre et al.	
4,865,321	A *	9/1989	Nakagawa et al.	463/29
D312,081	S *	11/1990	Yukawa	D14/435
D315,903	S *	4/1991	Nakauma	D14/435
D319,823	S *	9/1991	Kojo	D14/438
D321,429	S *	11/1991	Kojo	D6/634
D330,370	S *	10/1992	Tseng	D14/435
5,201,669	A *	4/1993	Lin	439/357
5,218,503	A *	6/1993	Martin	360/133
D337,568	S *	7/1993	Ellis	D14/435
D350,115	S *	8/1994	Iftikar et al.	D14/479
D350,951	S *	9/1994	Tseng	D14/435
5,398,141	A *	3/1995	Tannert	360/133
5,422,775	A *	6/1995	Martin	360/133
D368,082	S *	3/1996	Goto	D14/435
D377,488	S *	1/1997	Ashida	D14/438
D381,977	S *	8/1997	Nagata et al.	D14/438
D382,868	S *	8/1997	Ashida	D14/435
5,868,338	A *	2/1999	Martin et al.	242/348
D412,154	S *	7/1999	Lok	D13/147
D412,187	S *	7/1999	Kitamori	D21/332
D413,592	S *	9/1999	Saliba et al.	D14/435
D416,888	S *	11/1999	Kitamori	D14/435
5,989,402	A	11/1999	Chow et al.	
D418,692	S *	1/2000	Funawatari et al.	D6/407
D424,048	S *	5/2000	Iftikar et al.	D14/435
D444,128	S *	6/2001	Tan et al.	D13/147
D455,751	S *	4/2002	Hussaini et al.	D14/436
D458,643	S *	6/2002	Ashida	D21/332
D468,743	S *	1/2003	Kawanobe et al.	D14/435
D474,154	S *	5/2003	Lai	D13/147
D478,358	S *	8/2003	Ashida	D21/332
6,628,524	B1 *	9/2003	Washino et al.	361/737
D480,764	S *	10/2003	Inoue et al.	D21/332
D505,133	S *	5/2005	Ashida et al.	D14/435
D509,219	S *	9/2005	Avery	D14/435
D530,341	S *	10/2006	Maruyama et al.	D14/496



D539,355	S *	3/2007	Fujita	D21/332
D546,896	S *	7/2007	Ibuki	D21/332
D550,775	S *	9/2007	Fujita	D21/332
D591,752	S *	5/2009	Aoki	D14/436
D592,667	S *	5/2009	Sheba	D14/435
D593,561	S *	6/2009	Sheba	D14/435
2004/0110423	A1 *	6/2004	Shishikura et al.	439/630
2005/0020137	A1 *	1/2005	Tanaka et al.	439/630
2005/0021909	A1 *	1/2005	Much et al.	711/115
2007/0051628	A1	3/2007	Dolnik	

FOREIGN PATENT DOCUMENTS

DE	20 2005 009 960	10/2005
EP	0 295 942 A2	12/1988
EP	0 295 942 A3	12/1988
EP	1 486 778 A2	12/2004
EP	1 543 935 A2	6/2005
WO	WO 2008/141659 A1	11/2008

OTHER PUBLICATIONS

Elwin Vrouwe, Quantitative microchip capillary electrophoresis for inorganic ion analysis in point-of-care. Thesis. <http://purl.org/utwente/50753>, Published Mar. 1, 2007, 167 pages.

* cited by examiner

Primary Examiner—Susan Moon Lee
(74) Attorney, Agent, or Firm—Mots Law PLLC; Marvin A. Motsenbocker

(57) **CLAIM**

We claim the ornamental design for a housing for a test chip, as shown.

DESCRIPTION

FIG. 1 is a front view of the housing for a test chip of the invention in an open position.

FIG. 2 is a back view of the housing for a test chip of FIG. 1.

FIG. 3 is a top view of the housing for a test chip of FIG. 1.

FIG. 4 is a bottom view of the housing for a test chip of FIG. 1.

FIG. 5 is a side view from the right in an open position of the housing for a test chip of FIG. 1.

FIG. 6 is a side view from the left in an open position of the housing for a test chip of FIG. 1.

FIG. 7 is a perspective view of the housing for a test chip of FIG. 1.

FIG. 8 is a front view of the housing for a test chip of the invention in a closed position.

FIG. 9 is a back view of the housing for a test chip of FIG. 8.

FIG. 10 is a top view of the housing for a test chip of FIG. 8.

FIG. 11 is a bottom view of the housing for a test chip of FIG. 8.

FIG. 12 is a side view from the right of the housing for a test chip of FIG. 8.

FIG. 13 is a side view from the left of the housing for a test chip of FIG. 8; and,

FIG. 14 is a perspective view of the housing for a test chip of FIG. 8.

1 Claim, 14 Drawing Sheets

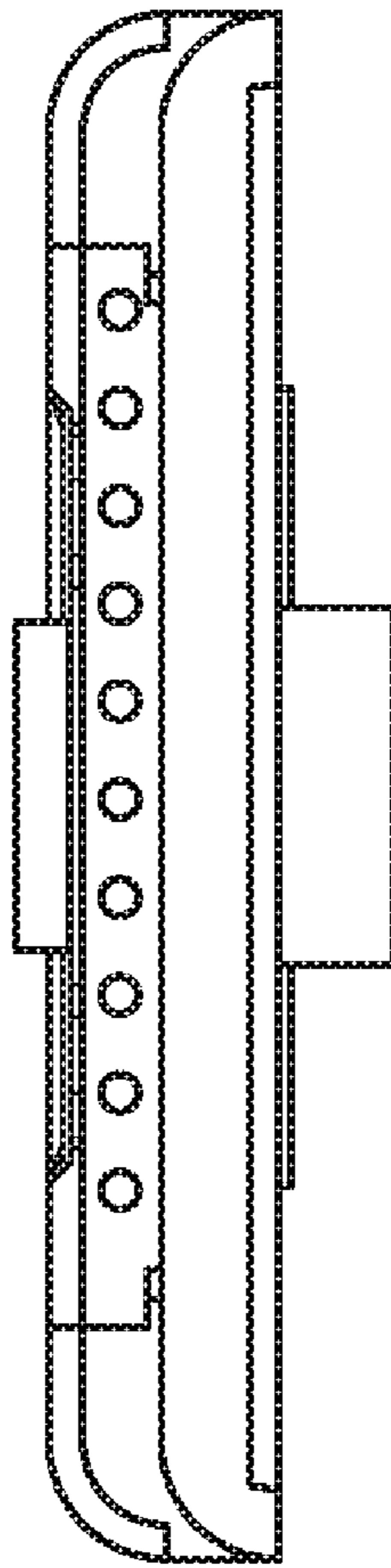


Fig. 1

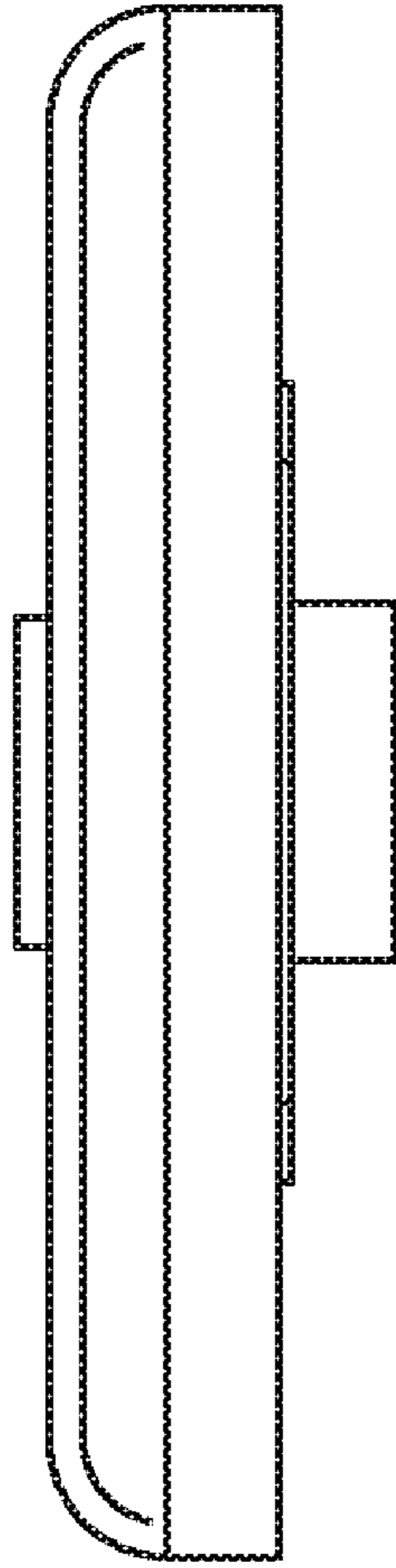


Fig. 2

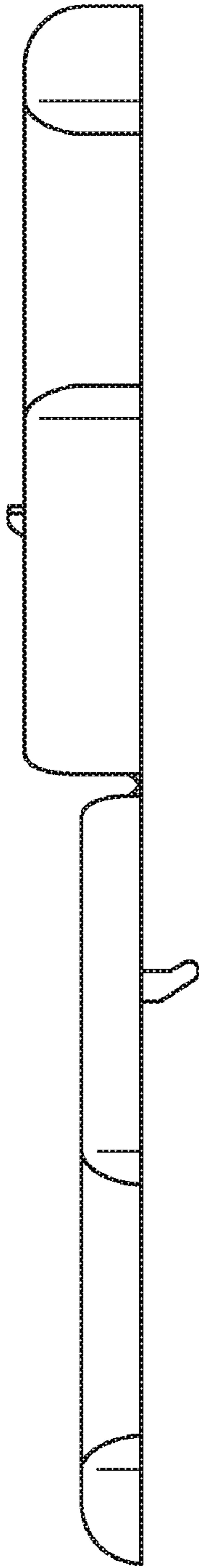


Fig. 3

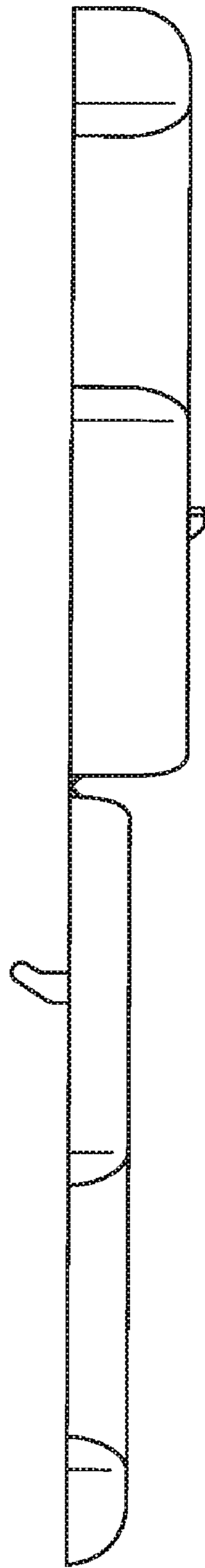


Fig. 4

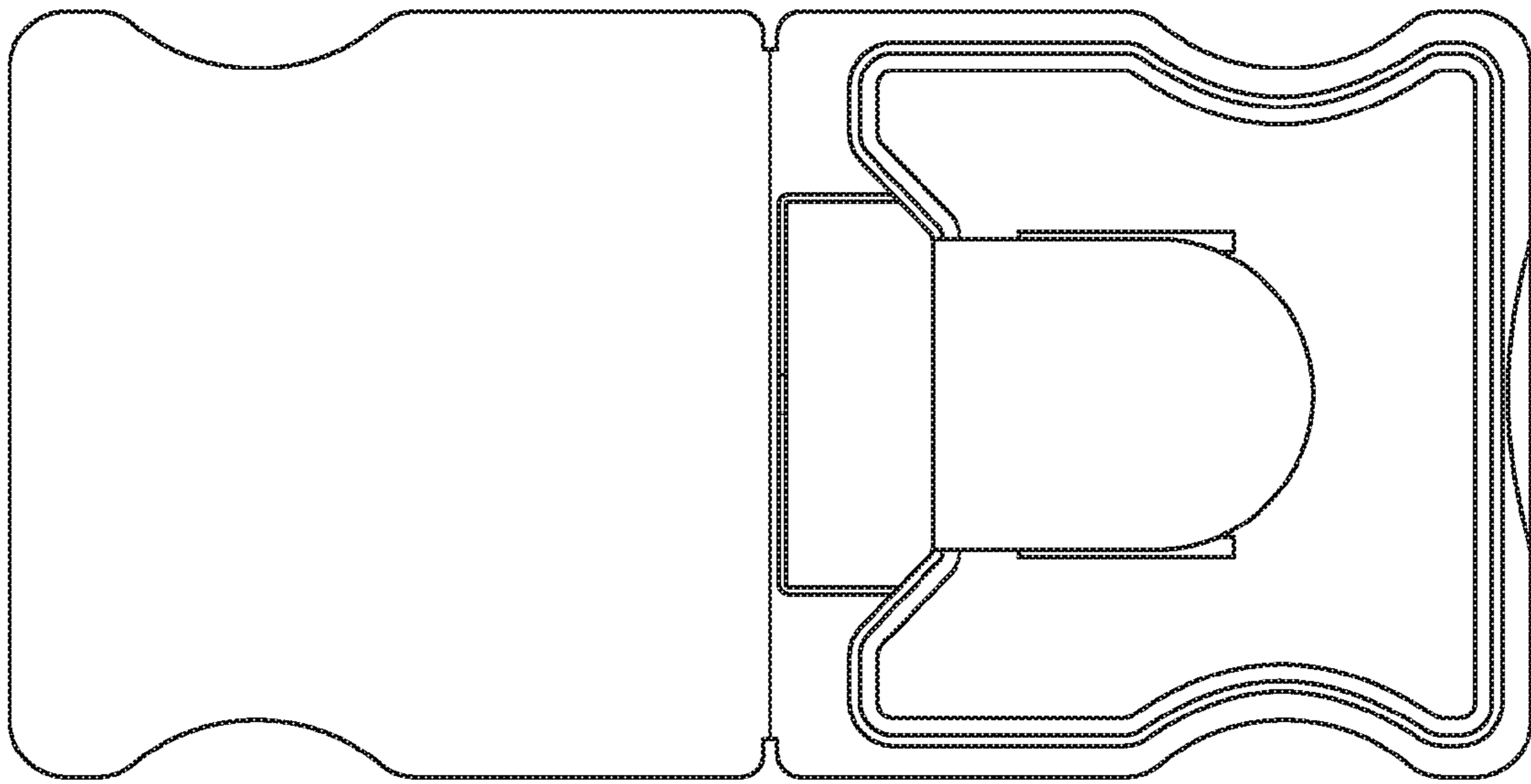


Fig. 5

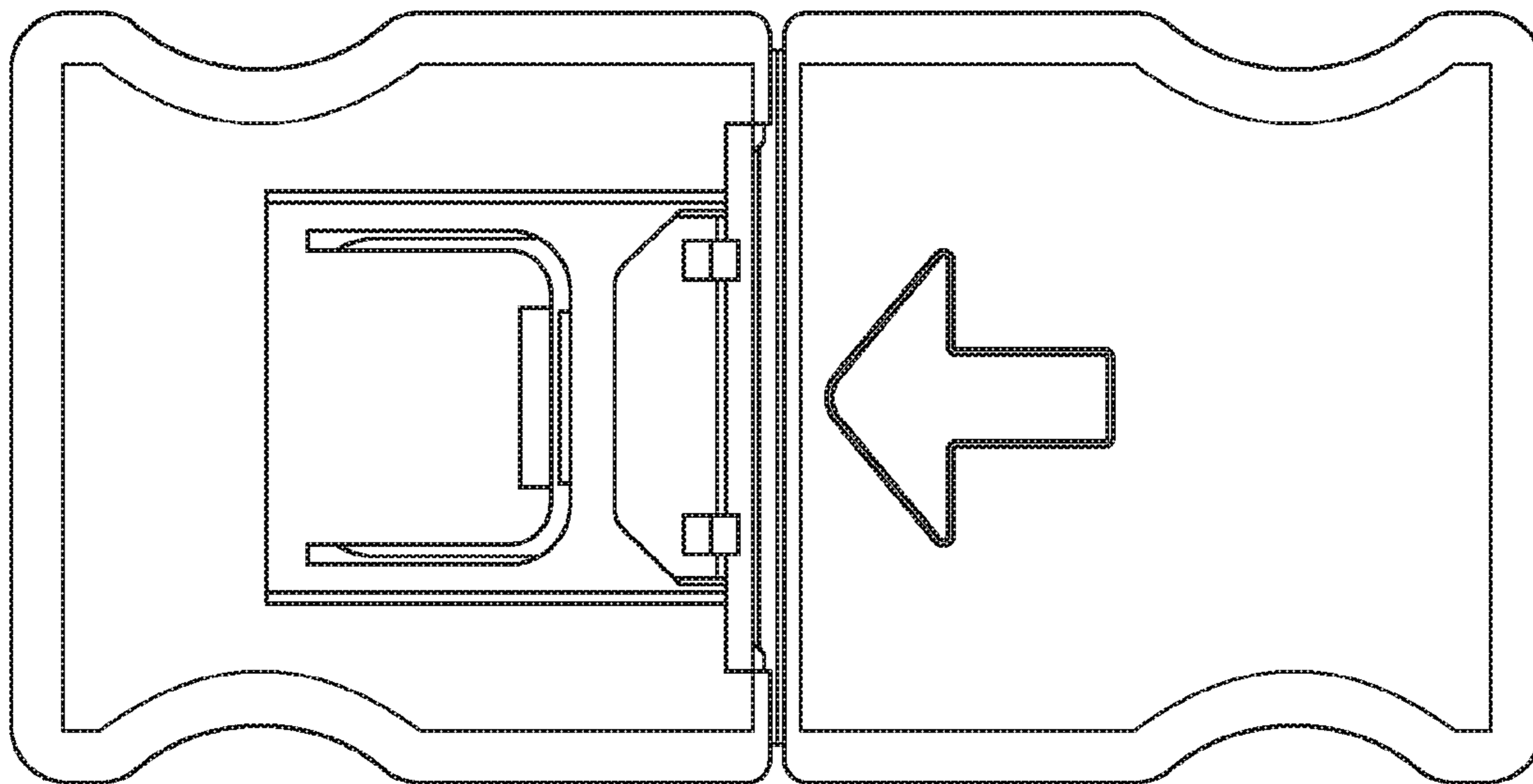


Fig. 6

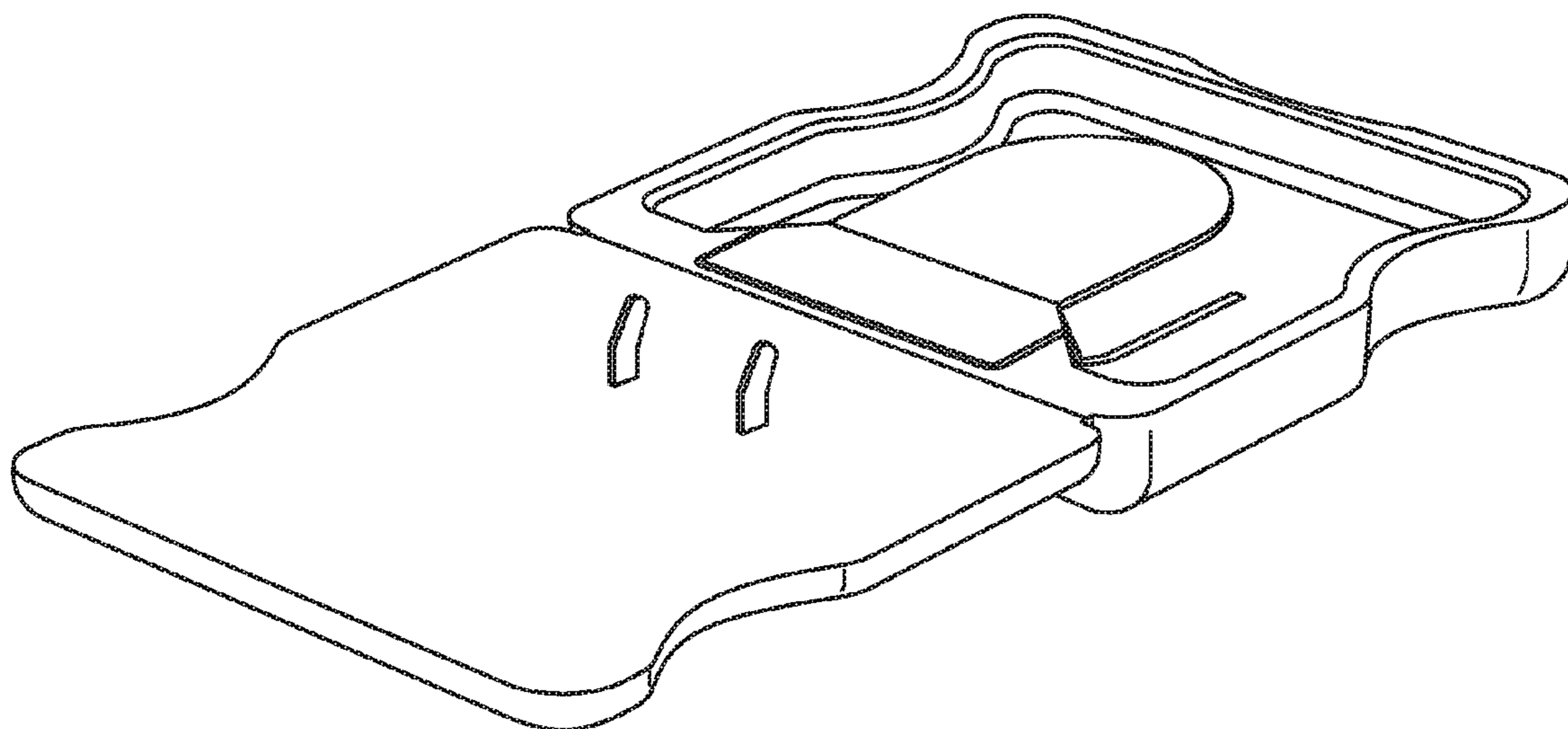


Fig. 7

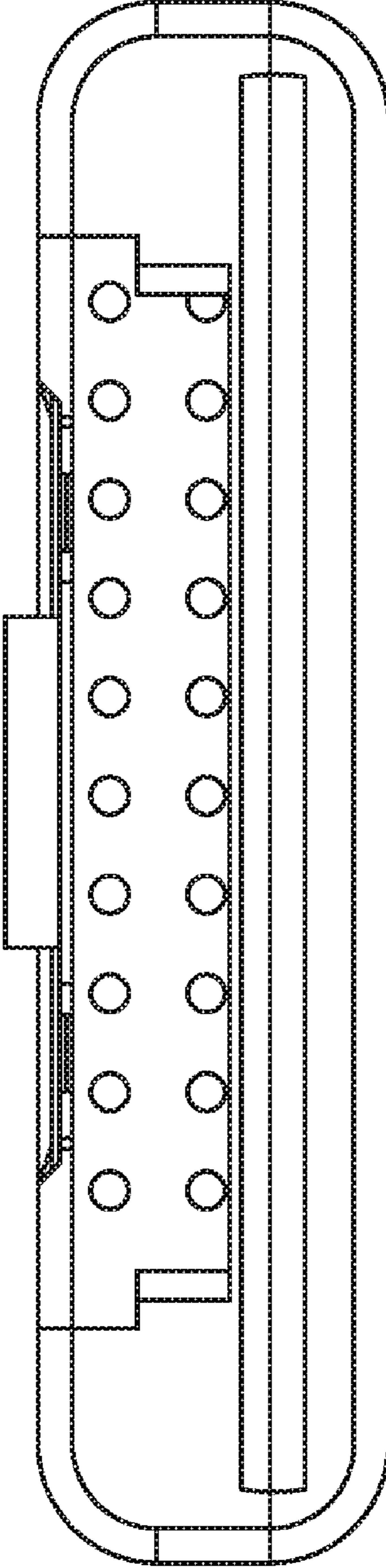


Fig. 8

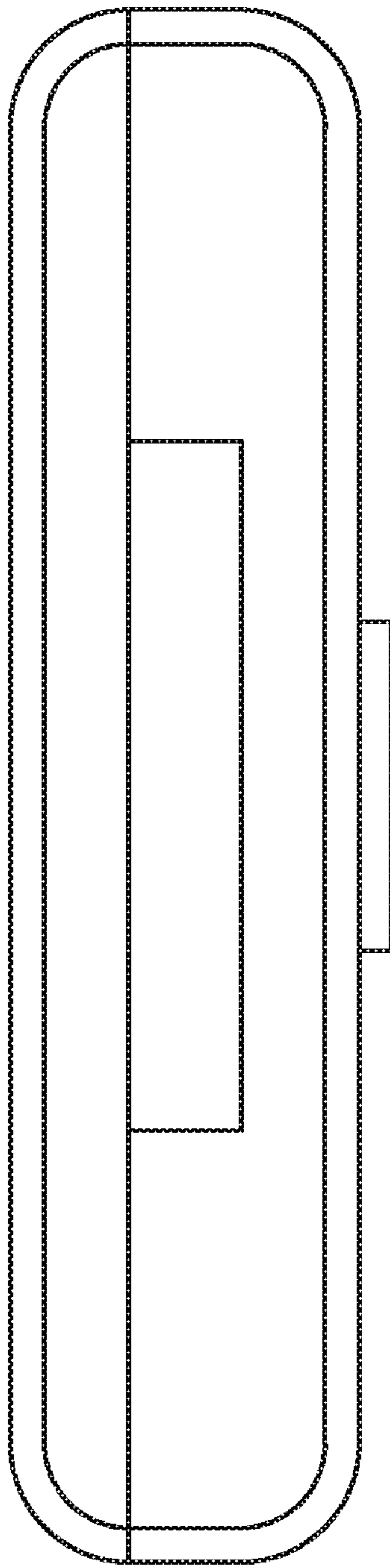


Fig. 9

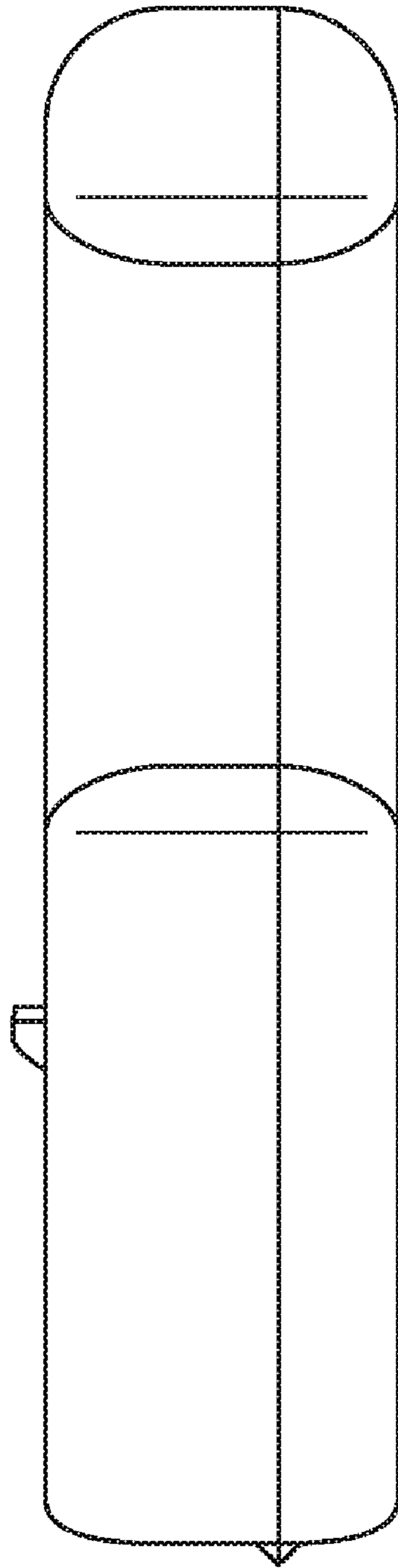


Fig. 10

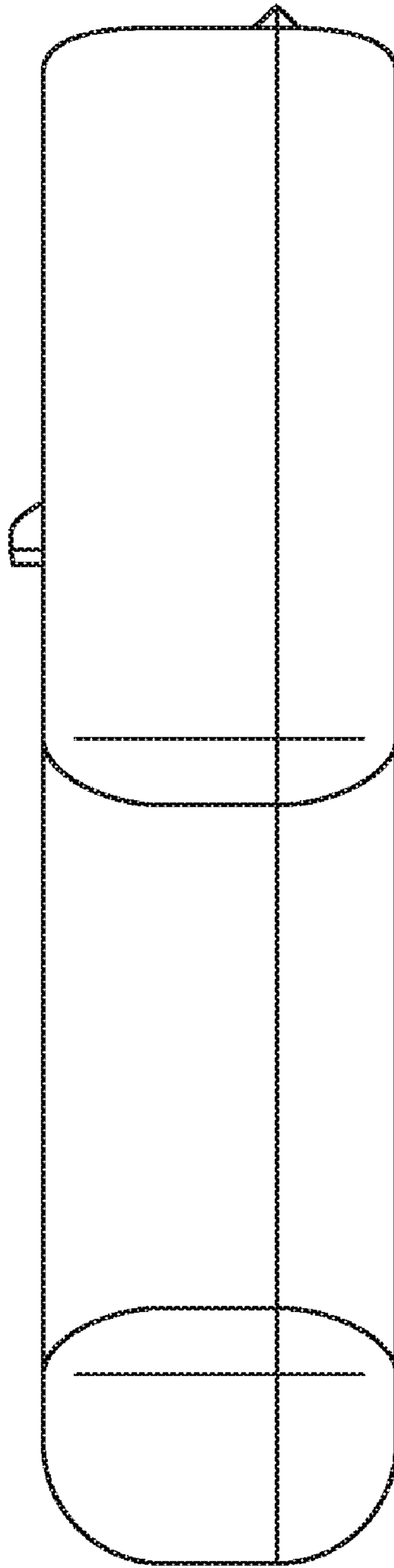


Fig. 11

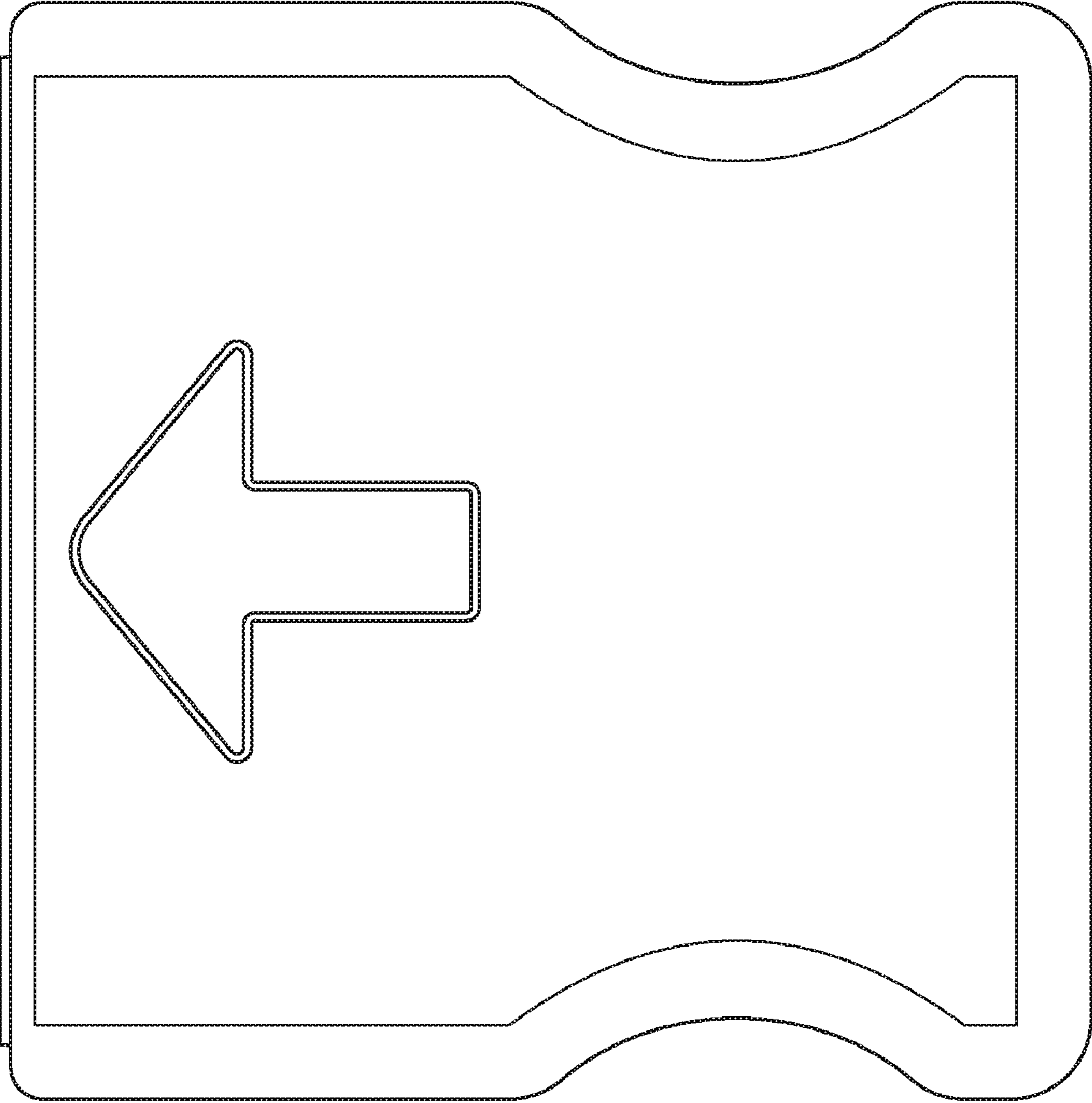


Fig. 12

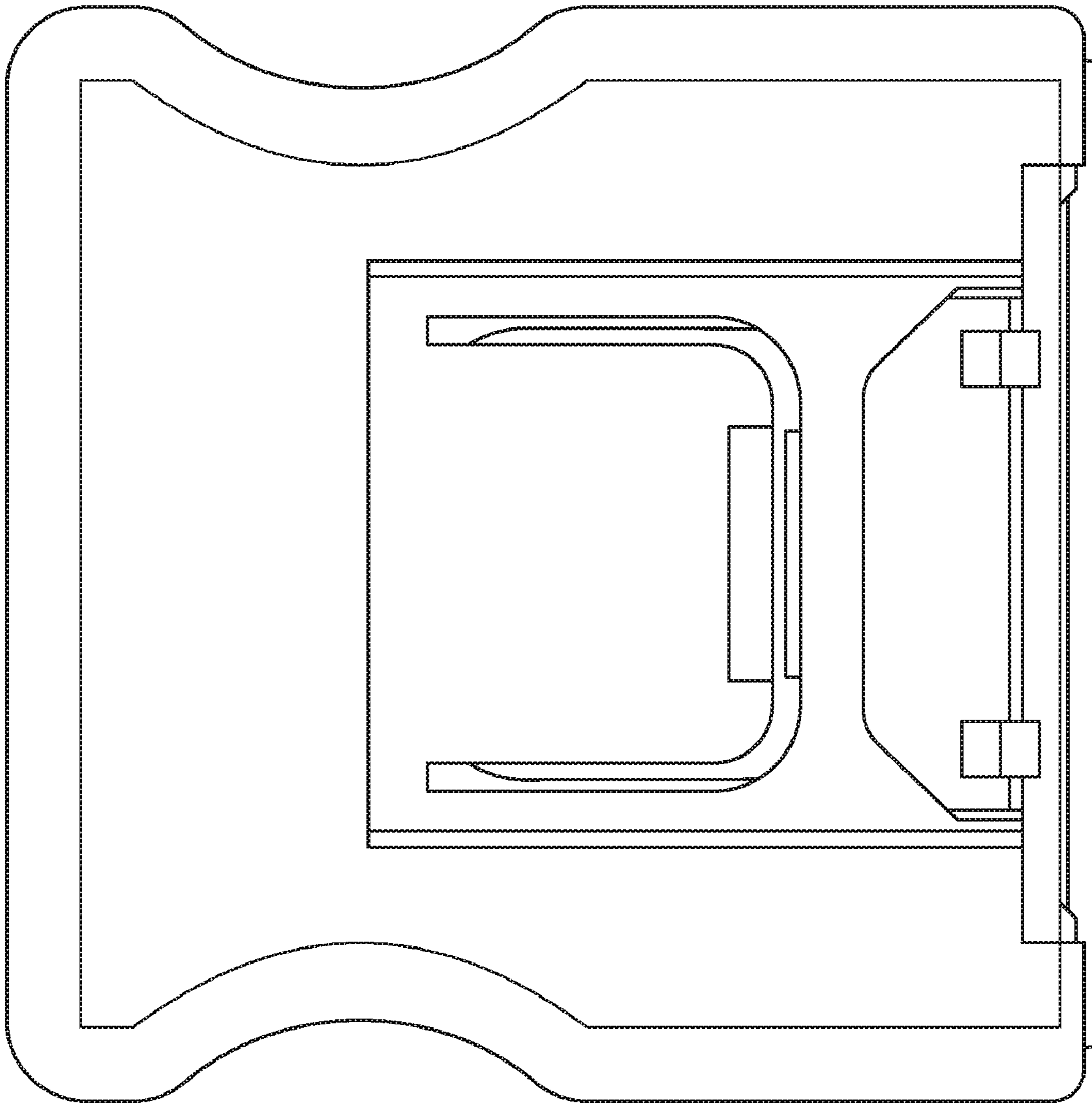


Fig. 13

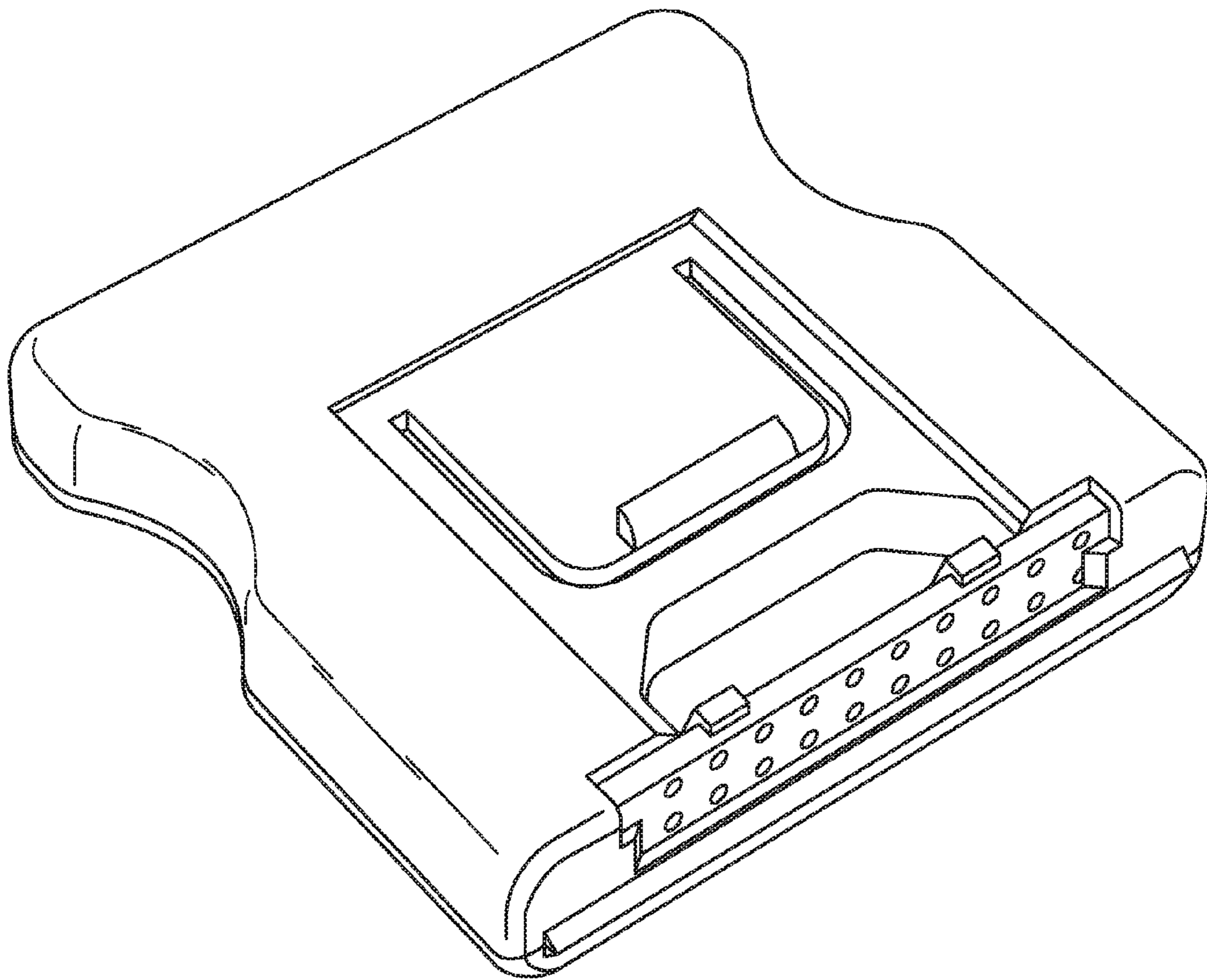


Fig. 14