



US00D604300S

(12) **United States Design Patent**
Andre et al.

(10) **Patent No.:** **US D604,300 S**
(45) **Date of Patent:** **** Nov. 17, 2009**

(54) **KEYBOARD**

(75) Inventors: **Bartley K Andre**, Menlo Park, CA (US); **Daniel J. Coster**, San Francisco, CA (US); **Daniele De Iuliis**, San Francisco, CA (US); **Richard P. Howarth**, San Francisco, CA (US); **Jonathan P. Ive**, San Francisco, CA (US); **Steve Jobs**, Palo Alto, CA (US); **Duncan Robert Kerr**, San Francisco, CA (US); **Shin Nishibori**, Portola Valley, CA (US); **Matthew Dean Rohrbach**, San Francisco, CA (US); **Peter Russell-Clarke**, San Francisco, CA (US); **Douglas B. Satzger**, Menlo Park, CA (US); **Calvin Q. Seid**, Palo Alto, CA (US); **Vincent Keane Seid**, legal representative, Los Gatos, CA (US); **Christopher J. Stringer**, Woodside, CA (US); **Eugene Antony Whang**, San Francisco, CA (US); **Rico Zorkendorfer**, San Francisco, CA (US)

(73) Assignee: **Apple Inc.**, Cupertino, CA (US)

(**) Term: **14 Years**

(21) Appl. No.: **29/289,877**

(22) Filed: **Aug. 2, 2007**

(51) **LOC (9) Cl.** **14-02**

(52) **U.S. Cl.** **D14/392**

(58) **Field of Classification Search** D14/391-399,
D14/336; D18/1, 2, 7; 178/17 A, 17 C; 200/5 A,
200/5 R, 6 A, 6 R; 235/145 A, 145 R; 345/160,
345/168, 169, 173; 341/22, 23; 400/484-489,
400/492

See application file for complete search history.

(56) **References Cited**

U.S. PATENT DOCUMENTS

D335,660 S * 5/1993 Busch D14/392

D344,724 S 3/1994 Pangburn
D346,161 S * 4/1994 Oh et al. D14/396
D348,875 S * 7/1994 Wang D14/393
5,439,304 A 8/1995 Phillips et al.
5,717,430 A * 2/1998 Copland et al. 345/168
D420,997 S 2/2000 Jordan
D430,875 S 9/2000 Beecroft
D436,951 S * 1/2001 Andresen D14/336
D445,793 S * 7/2001 Ji D14/392
D446,520 S * 8/2001 Ji D14/392
D454,566 S * 3/2002 Andre et al. D14/396
D485,271 S * 1/2004 Kamegi D14/392
D490,812 S 6/2004 Andre et al.
D543,544 S * 5/2007 Cheng D14/392
D556,758 S * 12/2007 Nguyen et al. D14/391

* cited by examiner

Primary Examiner—Freda S Nunn

(74) *Attorney, Agent, or Firm*—Saidman DesignLaw Group

(57) **CLAIM**

The ornamental design for a keyboard, as shown and described.

DESCRIPTION

FIG. 1 is a front, perspective view of a first embodiment of a keyboard showing our new design;

FIG. 2 is a bottom view thereof;

FIG. 3 is a top view thereof;

FIG. 4 is a left side view thereof;

FIG. 5 is a right side view thereof;

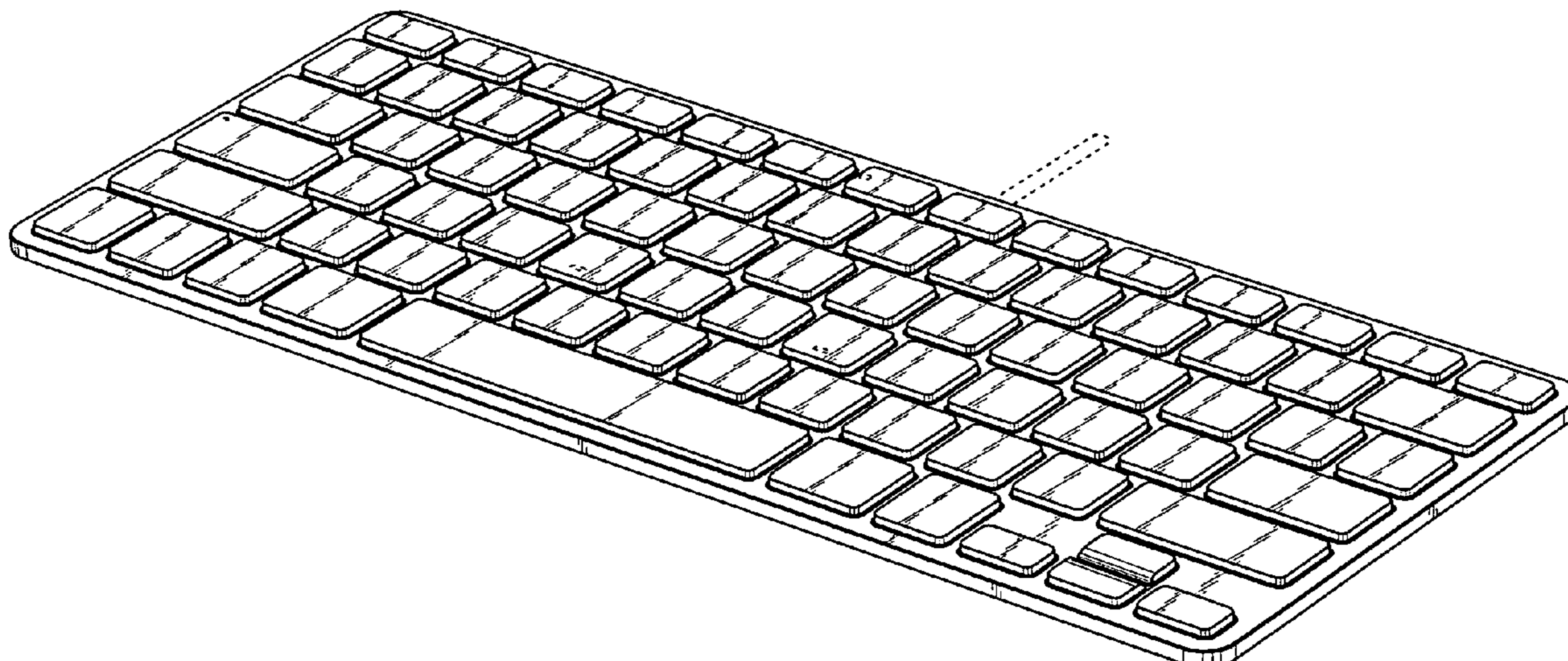
FIG. 6 is a front view thereof;

FIG. 7 is a rear view thereof; and,

FIG. 8 is a rear perspective view thereof.

The broken lines represent environmental subject matter that forms no part of the claimed design.

1 Claim, 6 Drawing Sheets



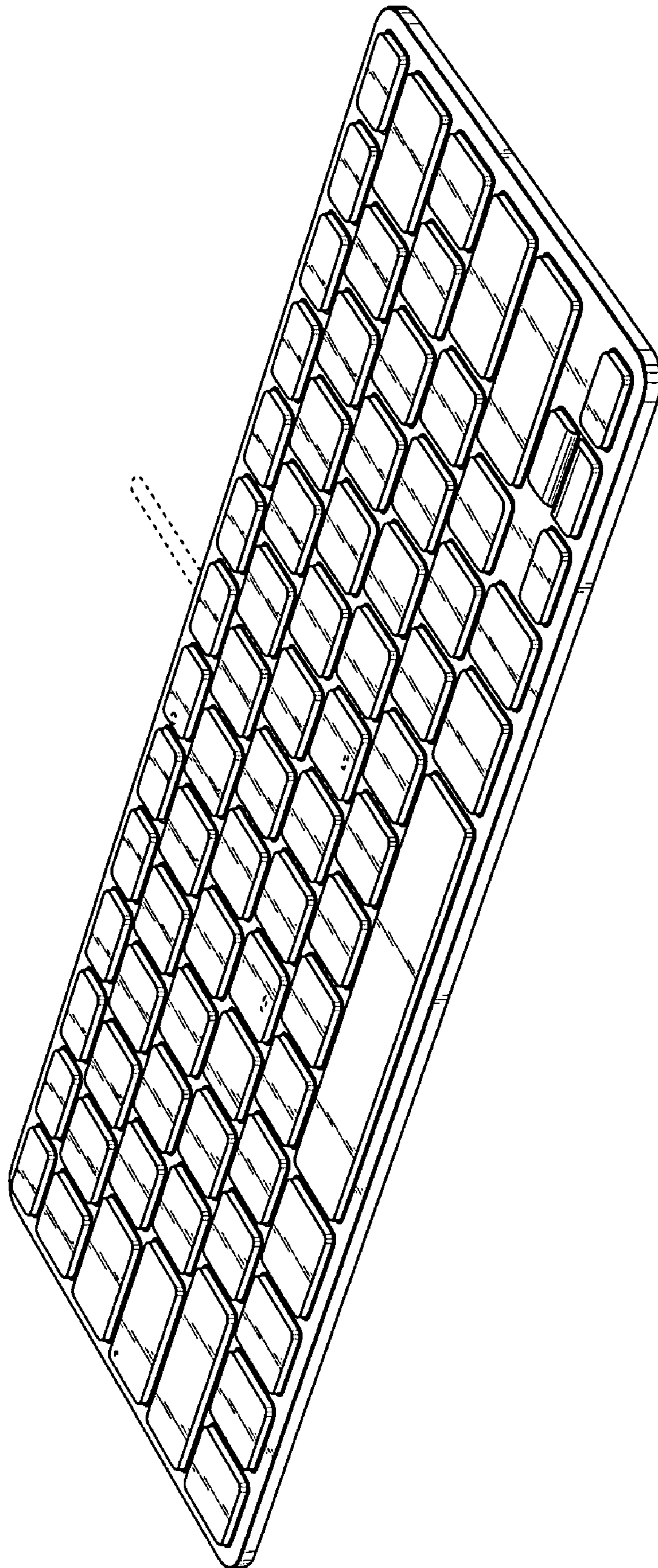


Fig. 1

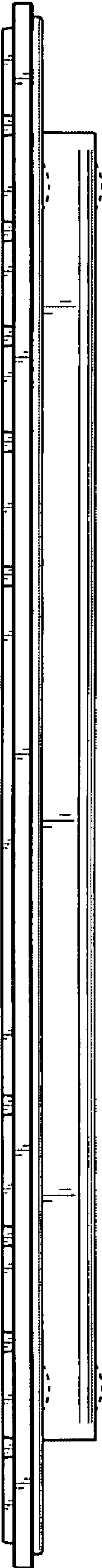


Fig. 2

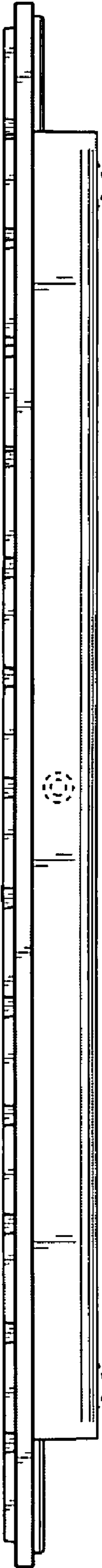


Fig. 3

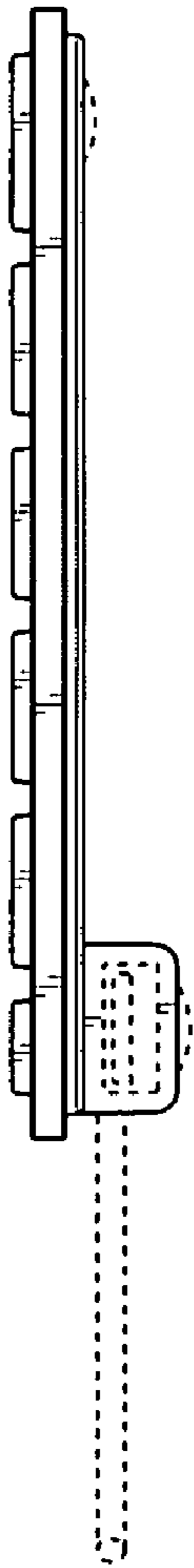


Fig. 4

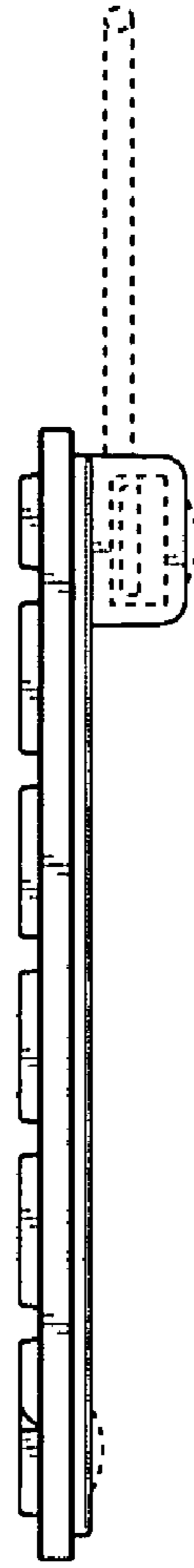


Fig. 5

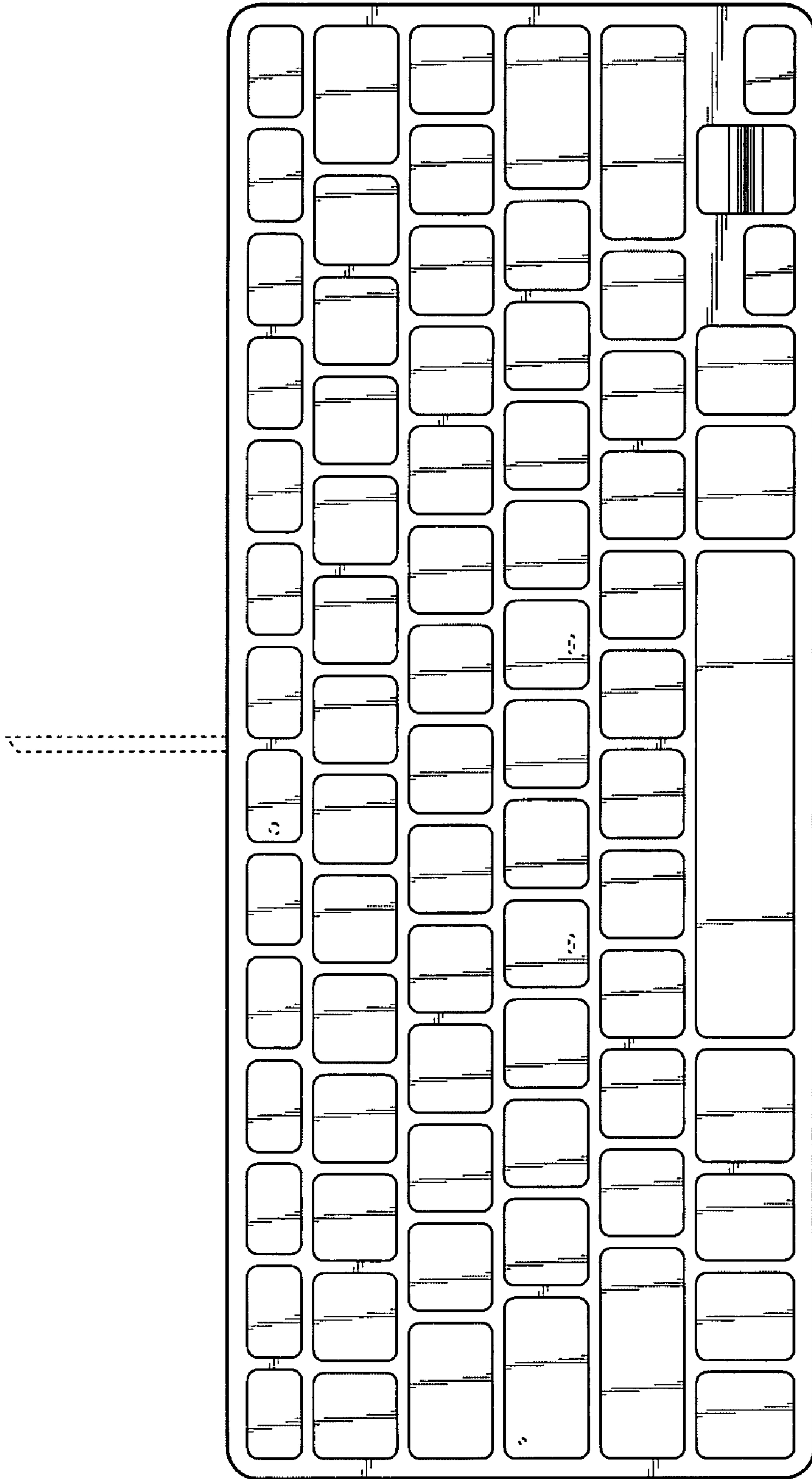


Fig. 6

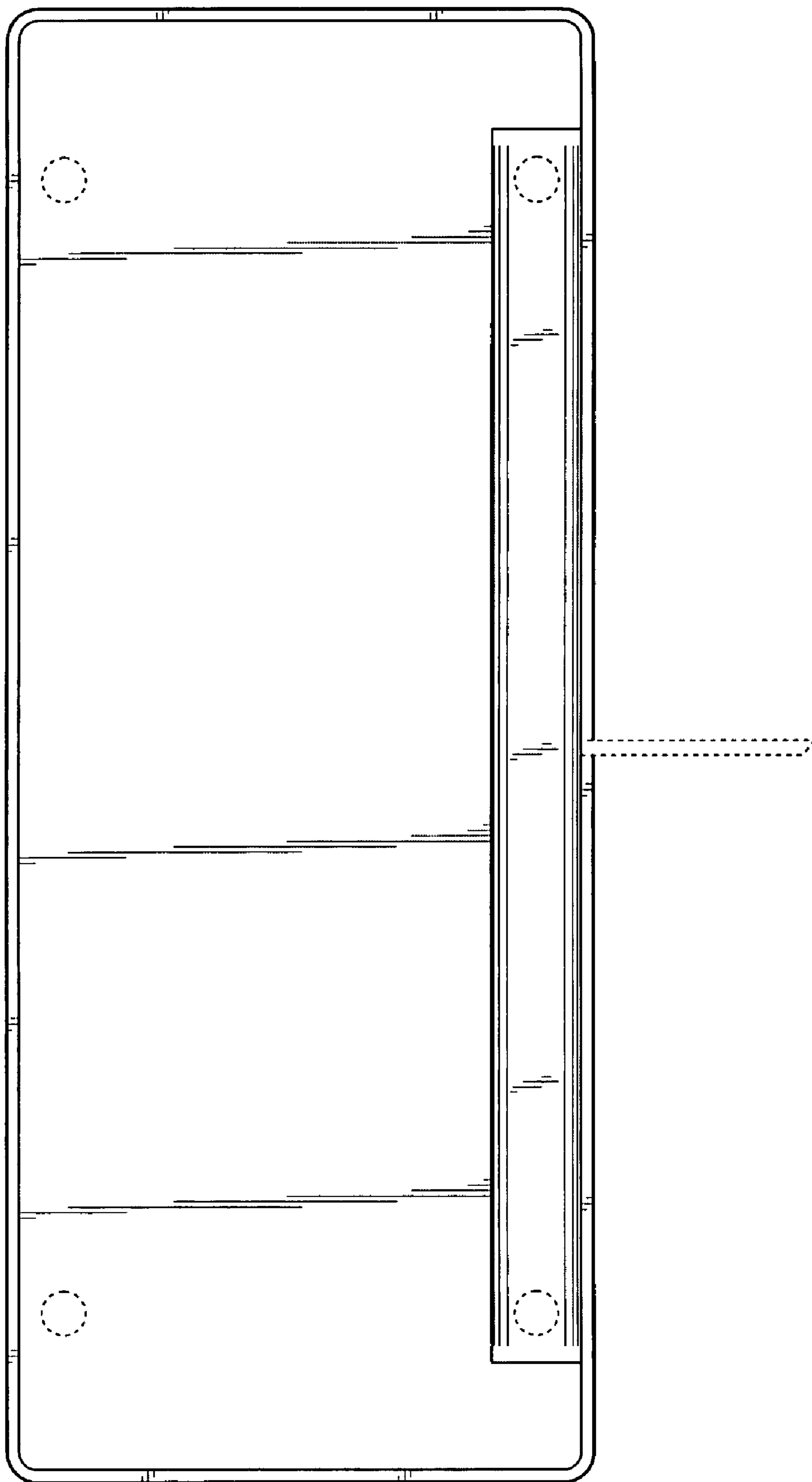


Fig. 7

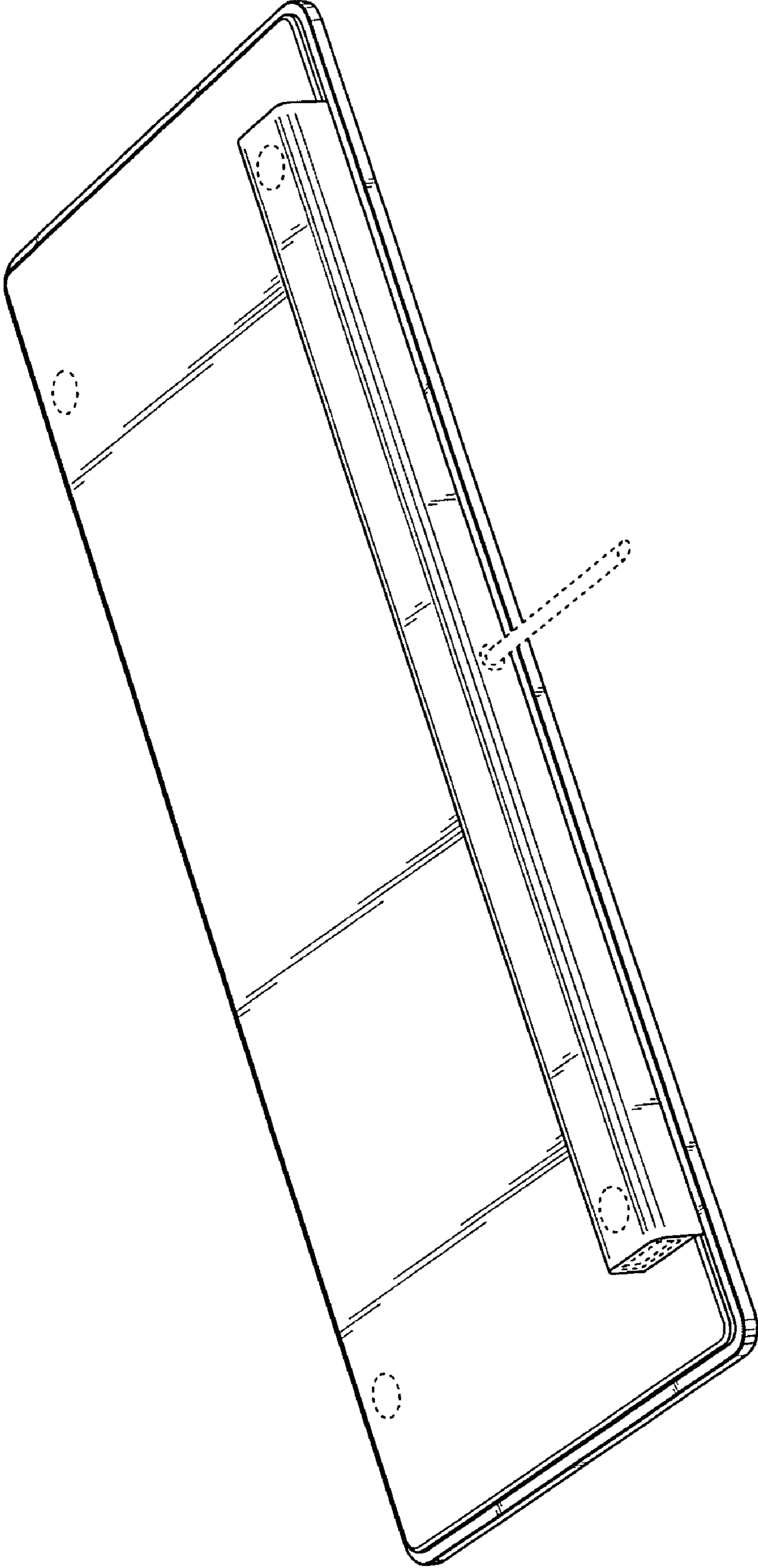


Fig. 8