

US00D604296S

(12) **United States Design Patent**  
**Masui**

(10) **Patent No.:** **US D604,296 S**

(45) **Date of Patent:** **\*\* Nov. 17, 2009**

(54) **COMPUTER**

(75) Inventor: **Kirio Masui**, Tokyo (JP)

(73) Assignee: **Sony Corporation**, Tokyo (JP)

(\*\*) Term: **14 Years**

(21) Appl. No.: **29/309,880**

(22) Filed: **Oct. 30, 2008**

(30) **Foreign Application Priority Data**

Aug. 1, 2008 (JP) ..... D2008-019872  
Aug. 1, 2008 (JP) ..... D2008-019873

(51) **LOC (9) Cl.** ..... **14-02**

(52) **U.S. Cl.** ..... **D14/336; D14/371**

(58) **Field of Classification Search** ..... D14/371-375,  
D14/126-129, 341, 315, 318, 336, 337; 341/12;  
345/104, 156, 168, 173, 87, 901-905; 348/180,  
348/184, 373, 739; D6/300; 361/679.23;  
248/278.1, 917-924

See application file for complete search history.

(56) **References Cited**

**U.S. PATENT DOCUMENTS**

- D406,824 S \* 3/1999 Minemoto et al. .... D14/375
- D432,534 S \* 10/2000 Hirose et al. .... D14/337
- D454,845 S 3/2002 Niitsu
- D475,356 S 6/2003 Niitsu
- D475,687 S 6/2003 Goto
- D476,632 S \* 7/2003 Inoue et al. .... D14/126
- D479,230 S \* 9/2003 Hirose et al. .... D14/337
- D488,451 S 4/2004 Niitsu
- 6,807,051 B2 \* 10/2004 Takahashi ..... 361/679.23
- 6,837,469 B2 \* 1/2005 Wu et al. .... 248/278.1
- D508,490 S 8/2005 Ishii
- D508,914 S 8/2005 Ishii

- D536,677 S \* 2/2007 Kim et al. .... D14/126
- D543,978 S 6/2007 Kawase
- D549,673 S 8/2007 Niitsu
- D551,225 S \* 9/2007 Ikeda ..... D14/337
- D564,987 S \* 3/2008 Shimizu et al. .... D14/126
- D569,816 S \* 5/2008 Fujiki ..... D14/126
- D570,804 S \* 6/2008 Fujiki ..... D14/126
- D571,321 S \* 6/2008 Fujii ..... D14/126
- D573,559 S \* 7/2008 Kim et al. .... D14/126
- 2005/0041379 A1 \* 2/2005 Jang ..... 361/681

**FOREIGN PATENT DOCUMENTS**

- JP D1238789 S 5/2005
- JP D1238790 S 5/2005

\* cited by examiner

*Primary Examiner*—Freda S Nunn

(74) *Attorney, Agent, or Firm*—Rader, Fishman & Grauer, PLLC

(57) **CLAIM**

The ornamental design for a computer, as shown and described.

**DESCRIPTION**

FIG. 1 is a perspective view of a computer showing new design;

FIG. 2 is a front elevational view thereof;

FIG. 3 is a rear elevational view thereof;

FIG. 4 is a left side elevational view thereof;

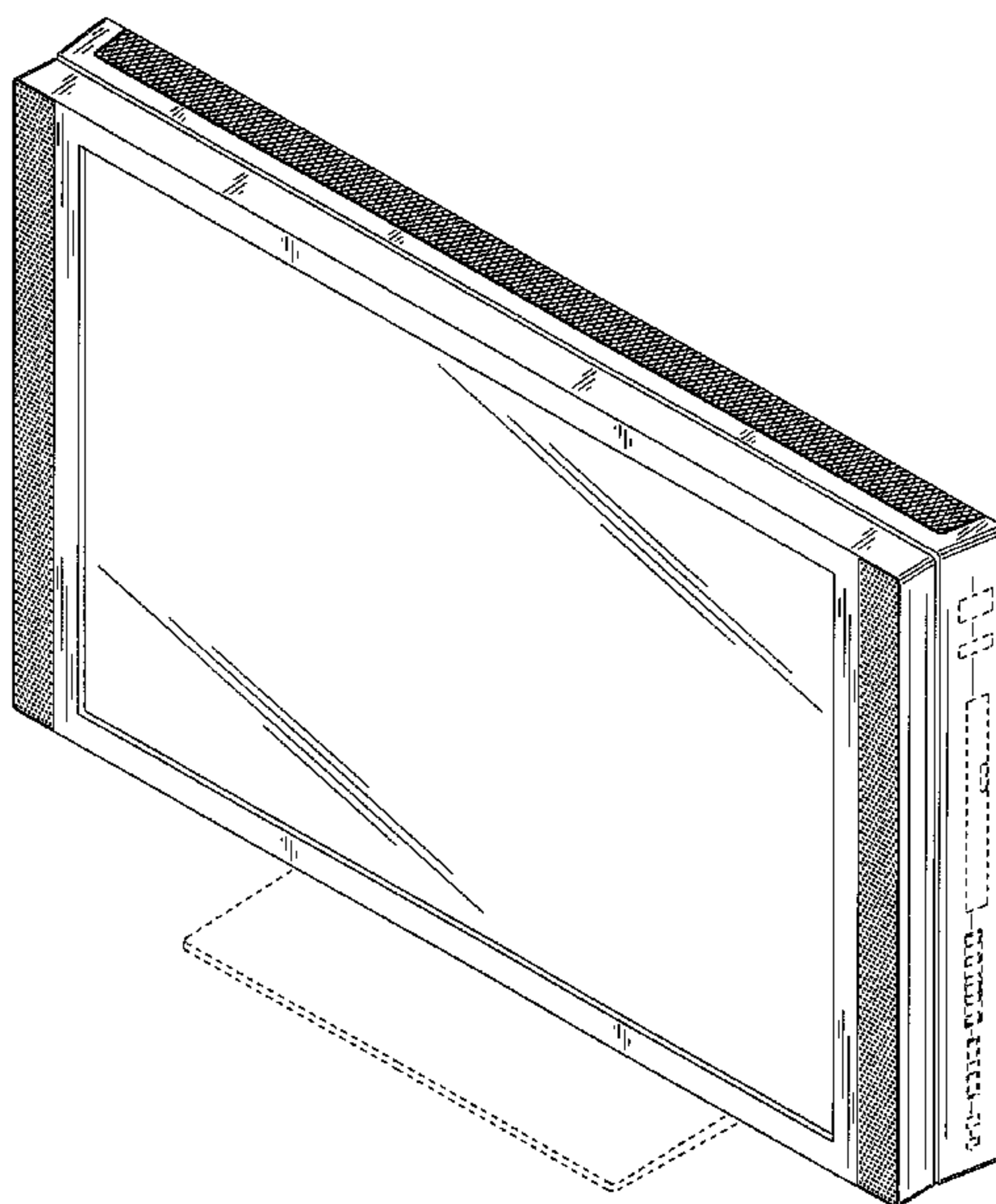
FIG. 5 is a right side elevational view thereof;

FIG. 6 is a top plan view thereof; and,

FIG. 7 is a bottom plan view thereof.

Portions that are shown in broken lines are for illustrative purposes only and form no part of the claimed design.

**1 Claim, 7 Drawing Sheets**



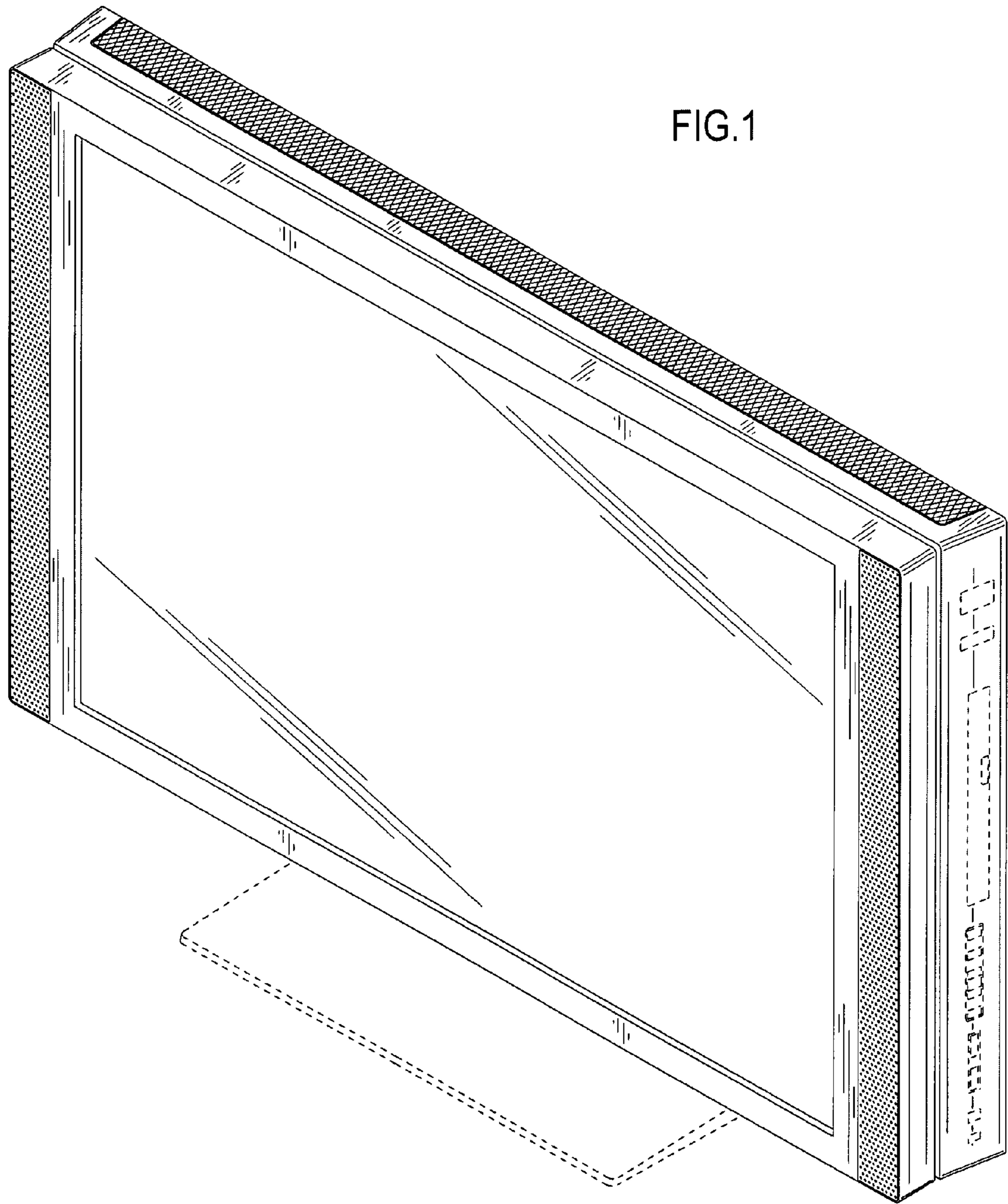


FIG. 1

FIG.2

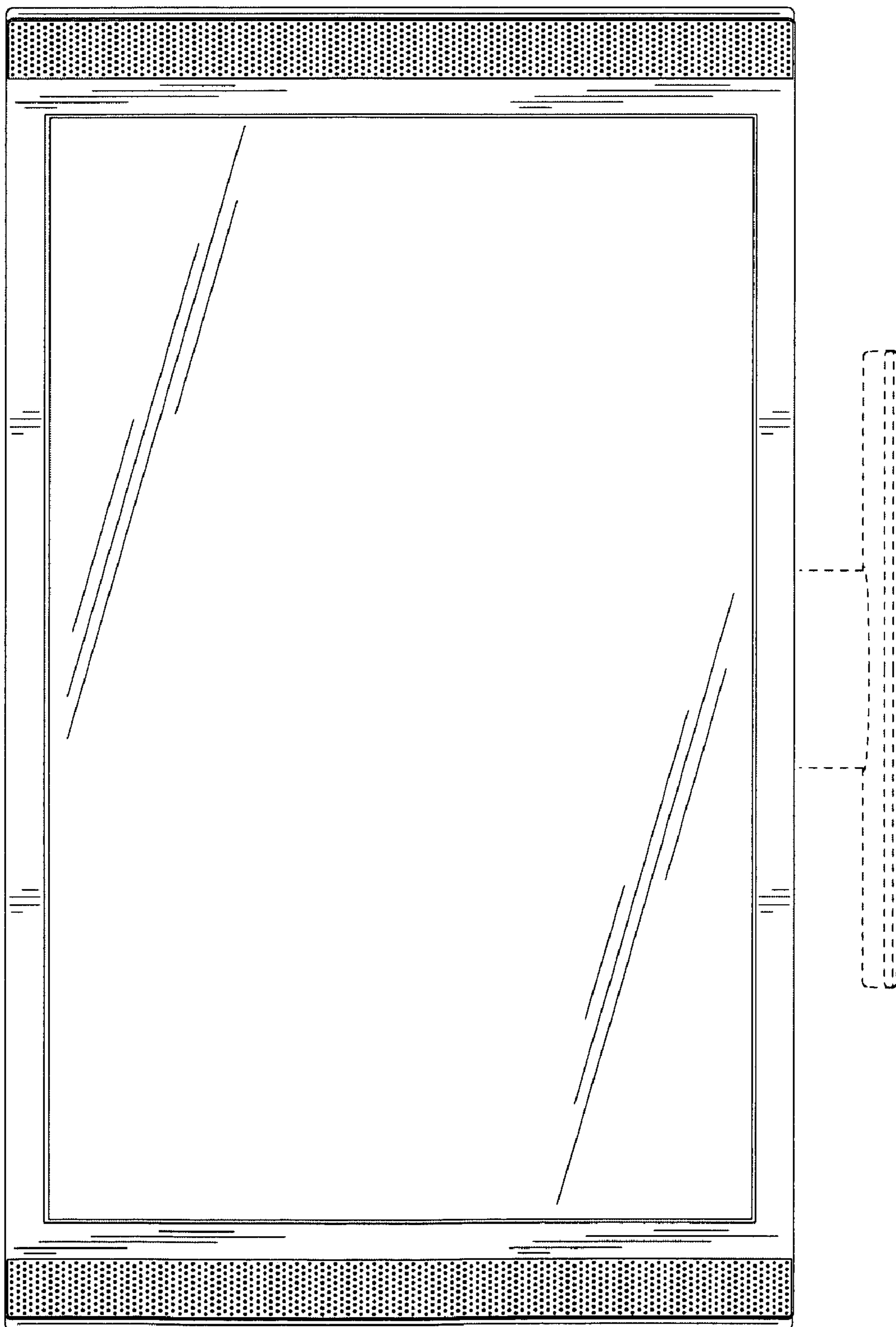


FIG.3

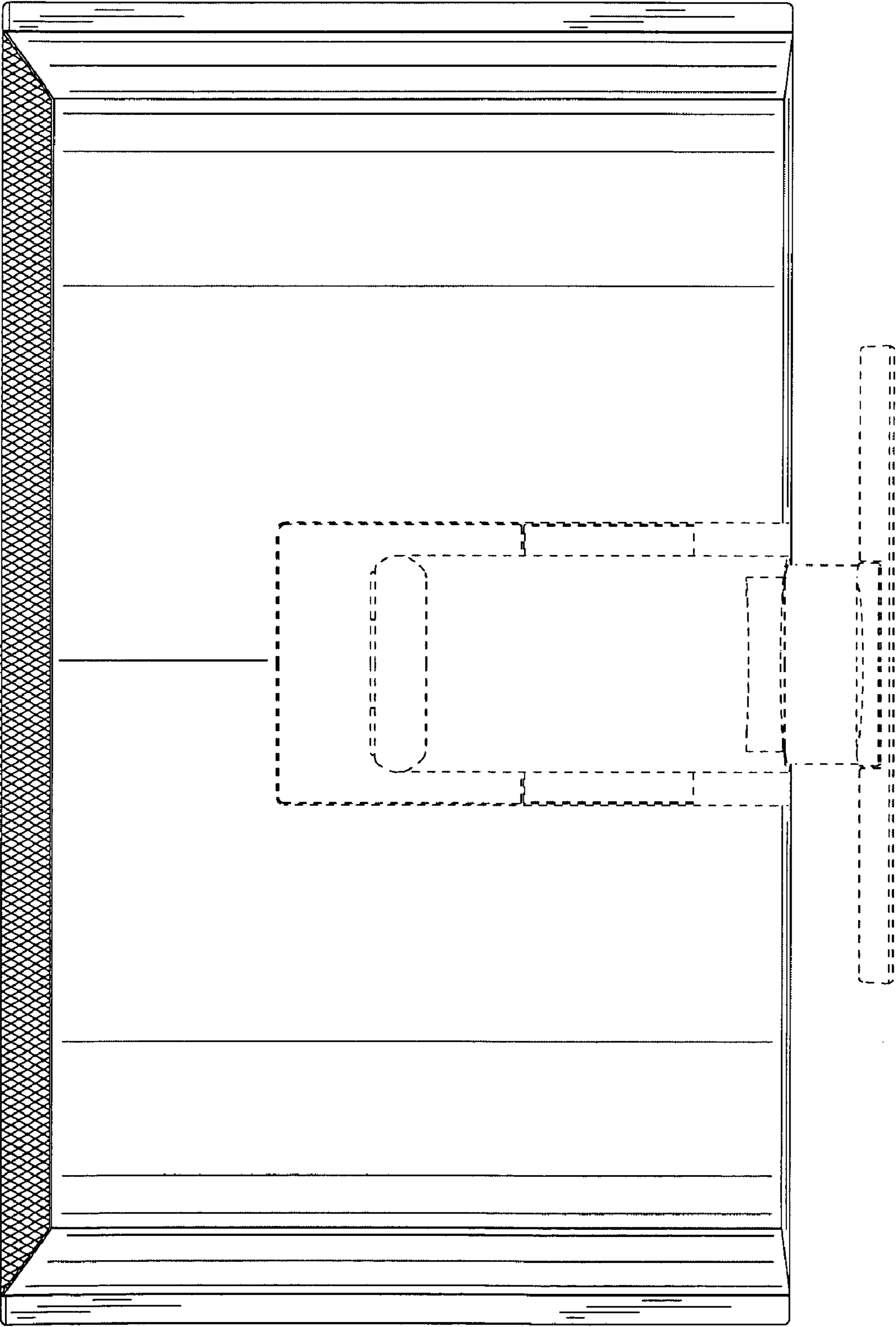


FIG.4

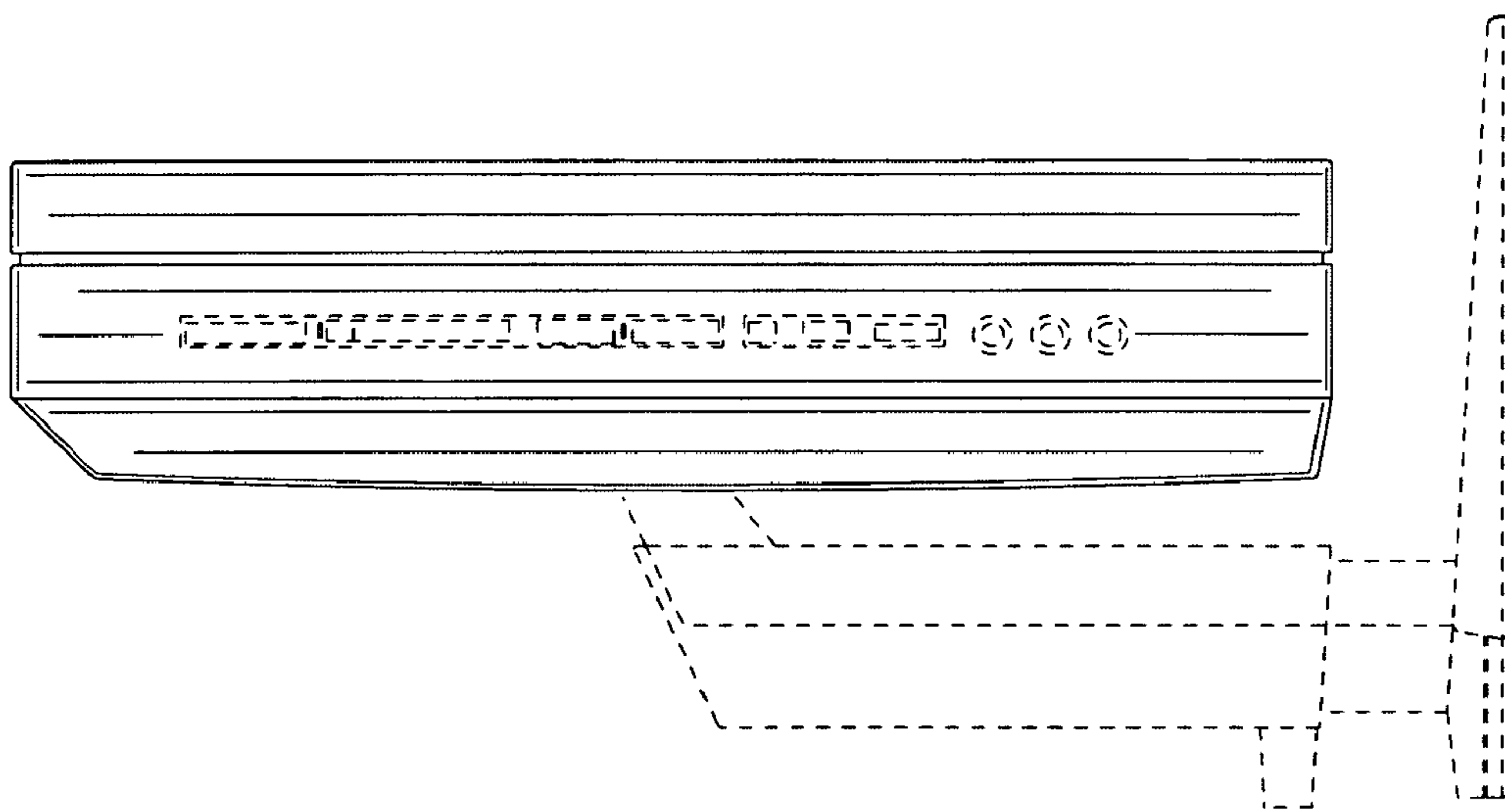


FIG. 5

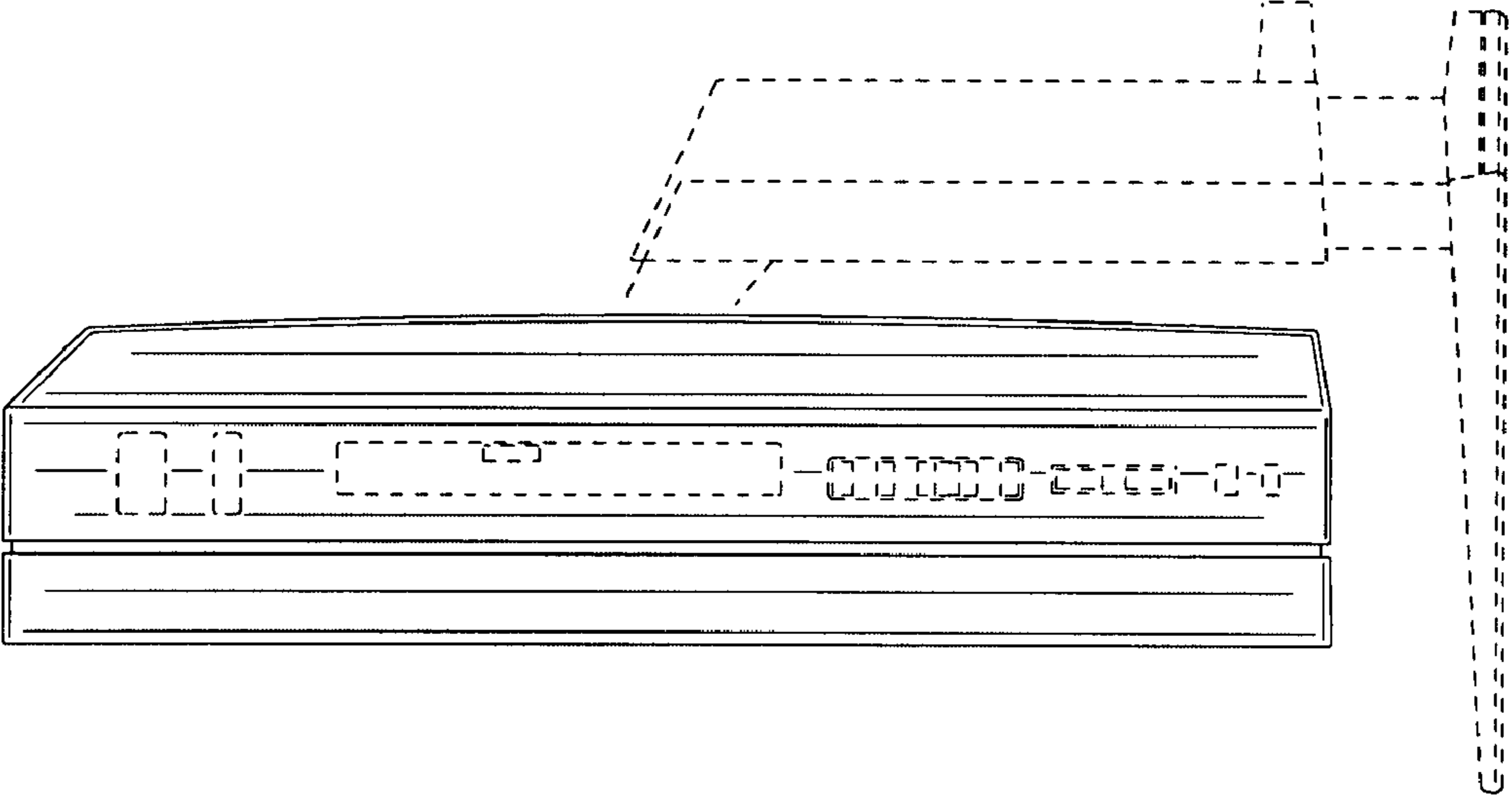


FIG.6

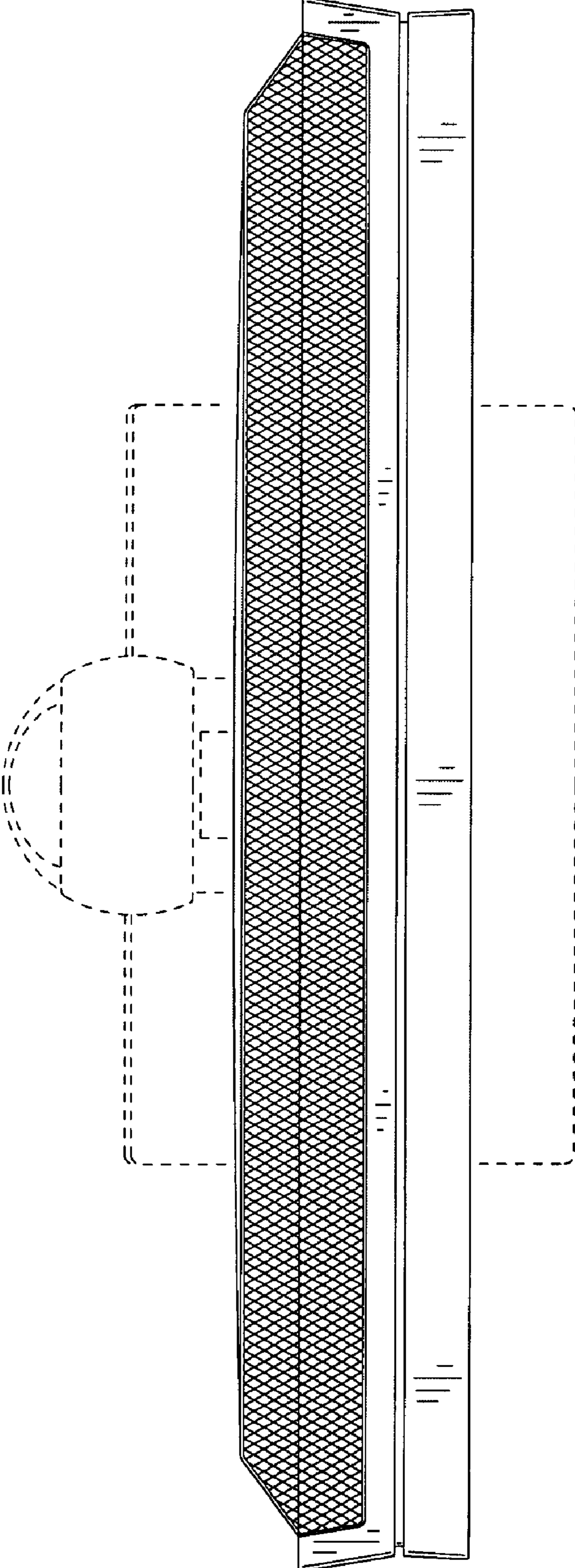


FIG.7

