



US00D604294S

(12) **United States Design Patent**
Andre et al.

(10) **Patent No.:** **US D604,294 S**
(45) **Date of Patent:** **** Nov. 17, 2009**

(54) **ELECTRONIC DEVICE**

D491,177 S 6/2004 Andre et al.
D493,785 S 8/2004 Andre et al.

(75) Inventors: **Bartley K. Andre**, Menlo Park, CA (US); **Daniel J. Coster**, San Francisco, CA (US); **Daniele De Iuliis**, San Francisco, CA (US); **Evans Hankey**, San Francisco, CA (US); **Richard P. Howarth**, San Francisco, CA (US); **Jonathan P. Ive**, San Francisco, CA (US); **Steve Jobs**, Palo Alto, CA (US); **Duncan Robert Kerr**, San Francisco, CA (US); **Shin Nishibori**, Portola Valley, CA (US); **Matthew Dean Rohrbach**, San Francisco, CA (US); **Peter Russell-Clarke**, San Francisco, CA (US); **Douglas B. Satzger**, Menlo Park, CA (US); **Christopher J. Stringer**, Woodside, CA (US); **Eugene Antony Whang**, San Francisco, CA (US); **Rico Zorkendorfer**, San Francisco, CA (US)

(Continued)

OTHER PUBLICATIONS

U.S. Appl. No. 29/296,817 entitled "Computing Device", filed Oct. 29, 2007.
U.S. Appl. No. 29/296,887 entitled "Computing Device", filed Oct. 30, 2007.

Primary Examiner—Freda S Nunn
(74) *Attorney, Agent, or Firm*—Saidman DesignLaw Group

(57) **CLAIM**

The ornamental design for an electronic device, as shown and described.

DESCRIPTION

FIG. 1 is a front, perspective view of an electronic device showing our new design;
FIG. 2 is rear, bottom perspective view thereof;
FIG. 3 is a front view thereof;
FIG. 4 is a rear view thereof;
FIG. 5 is a left side view thereof;
FIG. 6 is a right side view thereof;
FIG. 7 is a top view thereof;
FIG. 8 is a bottom view thereof;
FIG. 9 is an additional top view thereof, with the electronic device shown in an open position;
FIG. 10 is an additional top, front perspective view thereof, with the electronic device shown in an open position;
FIG. 11 is an additional bottom, rear perspective view thereof, with the electronic device shown in an open position; and,
FIG. 12 is an additional left side view thereof, with the electronic device shown in an open position.

All broken lines represent environmental subject matter and form no part of the claimed design.

(73) Assignee: **Apple Inc.**, Cupertino, CA (US)

(**) Term: **14 Years**

(21) Appl. No.: **29/294,500**

(22) Filed: **Jan. 14, 2008**

(51) **LOC (9) Cl.** **14-02**

(52) **U.S. Cl.** **D14/318**

(58) **Field of Classification Search** D14/315-328;
D18/1, 2, 7, 11; 235/145 A, 145 R; 341/22,
341/23; 455/566; 345/168, 169, 173, 87,
345/901-905; 361/680-686, 679.09, 679.27;
715/783; 400/486, 489

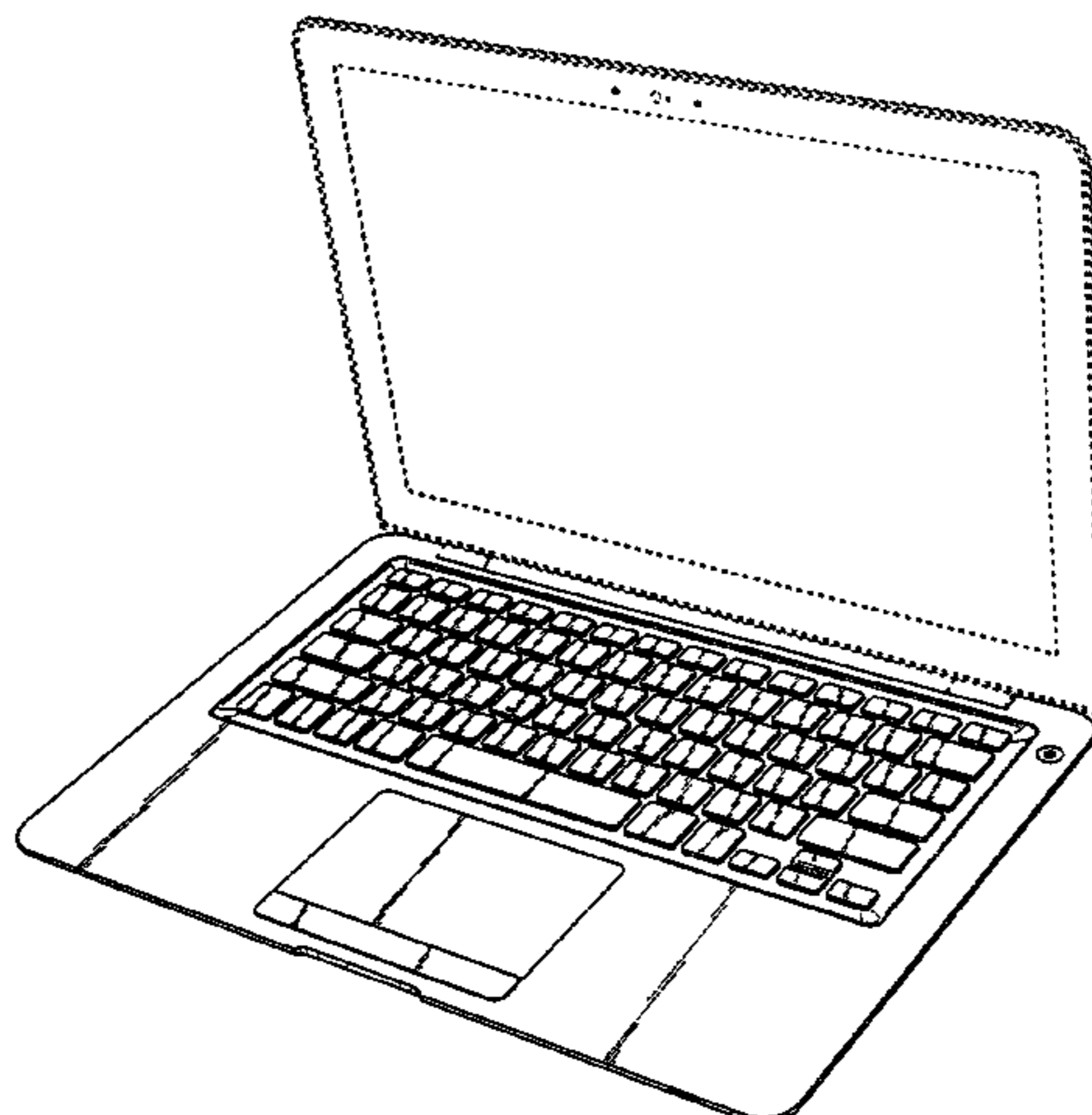
See application file for complete search history.

(56) **References Cited**

U.S. PATENT DOCUMENTS

6,067,224 A * 5/2000 Nobuchi 361/679.27
6,166,737 A * 12/2000 Lee et al. 715/783
D463,797 S 10/2002 Andre et al.
6,657,854 B2 * 12/2003 Horii et al. 361/679.09

1 Claim, 10 Drawing Sheets



US D604,294 S

Page 2

U.S. PATENT DOCUMENTS

D513,509 S *	1/2006	Kawa	D14/318	D556,192 S *	11/2007	Jeong et al.	D14/327
7,035,665 B2 *	4/2006	Kido et al.	455/566	D558,752 S	1/2008	Andre et al.		
D527,730 S *	9/2006	Dong	D14/315	D558,753 S	1/2008	Andre et al.		
D529,907 S *	10/2006	Dong	D14/315	2005/0018396 A1 *	1/2005	Nakajima et al.	361/683
D547,310 S *	7/2007	Yoon	D14/315	2005/0041378 A1 *	2/2005	Hamada et al.	361/680

* cited by examiner

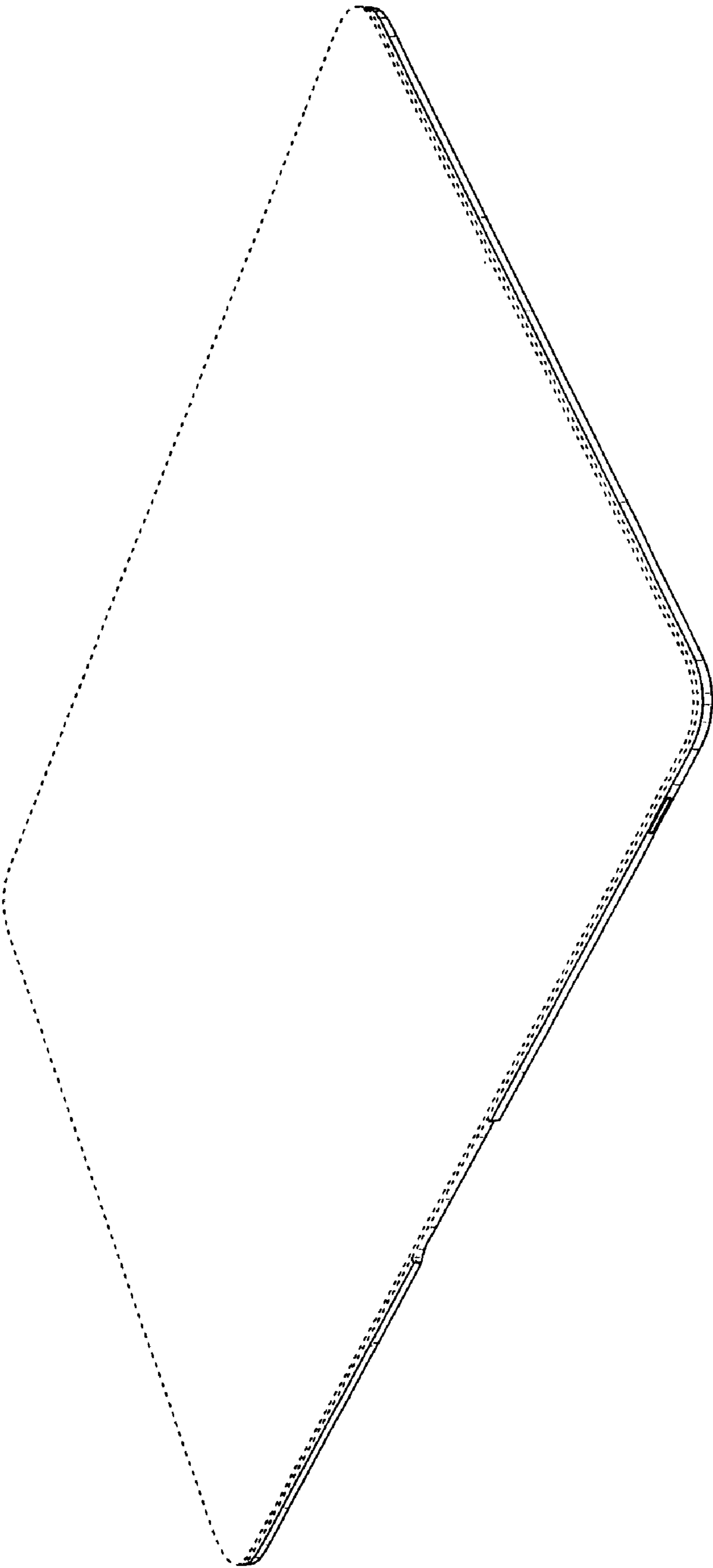


Fig. 1

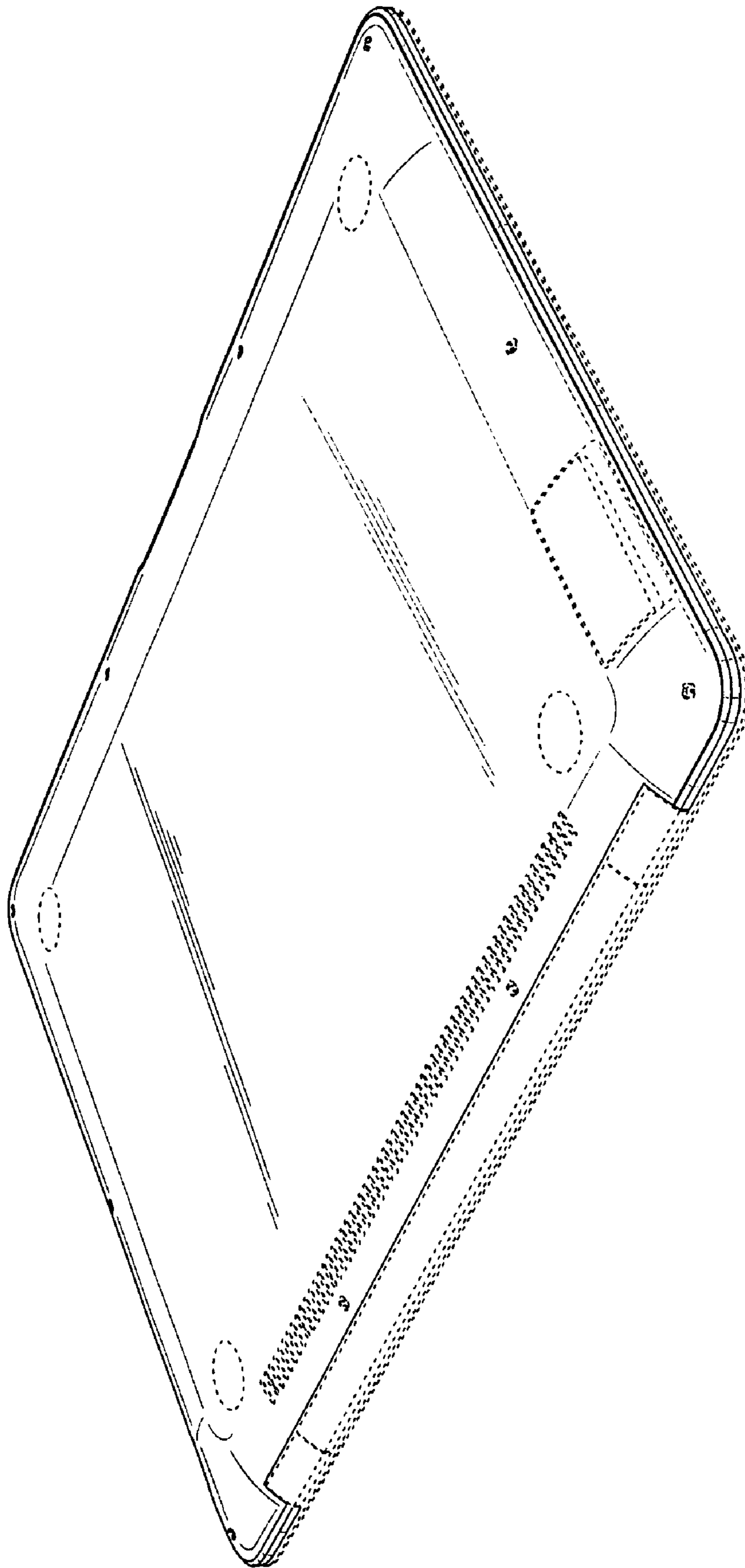


Fig. 2

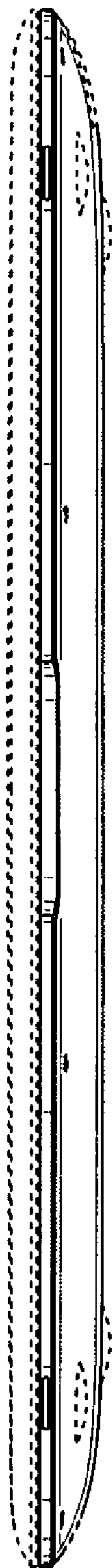


Fig. 3

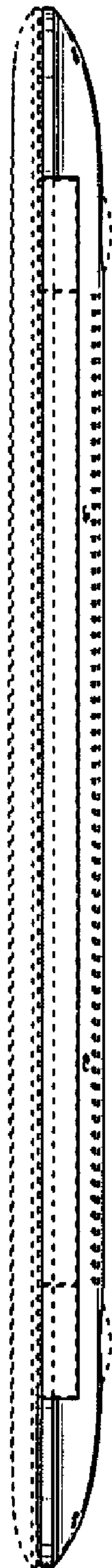


Fig. 4

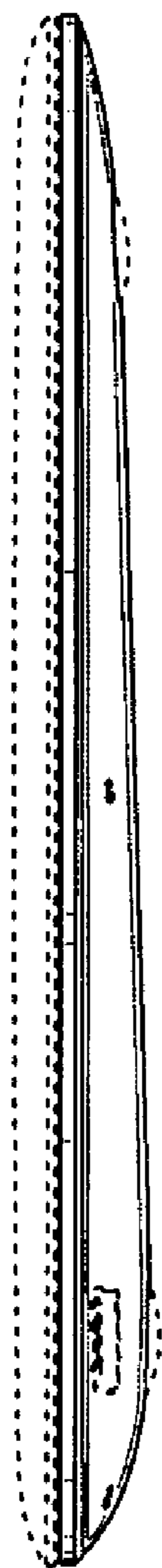


Fig. 5

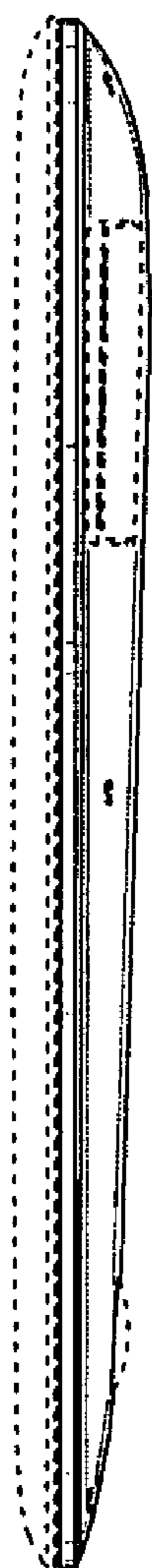


Fig. 6



Fig. 7

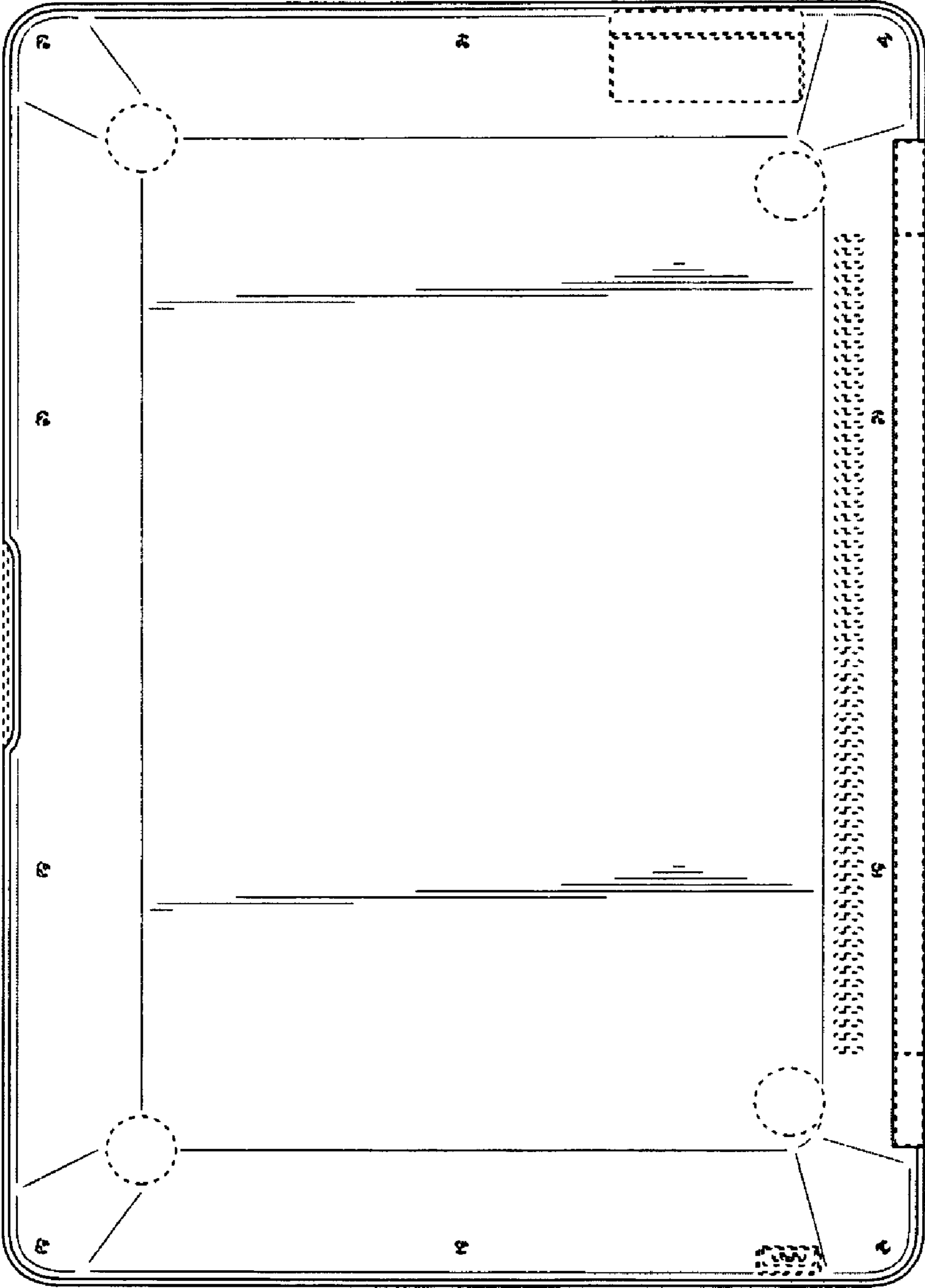


Fig. 8

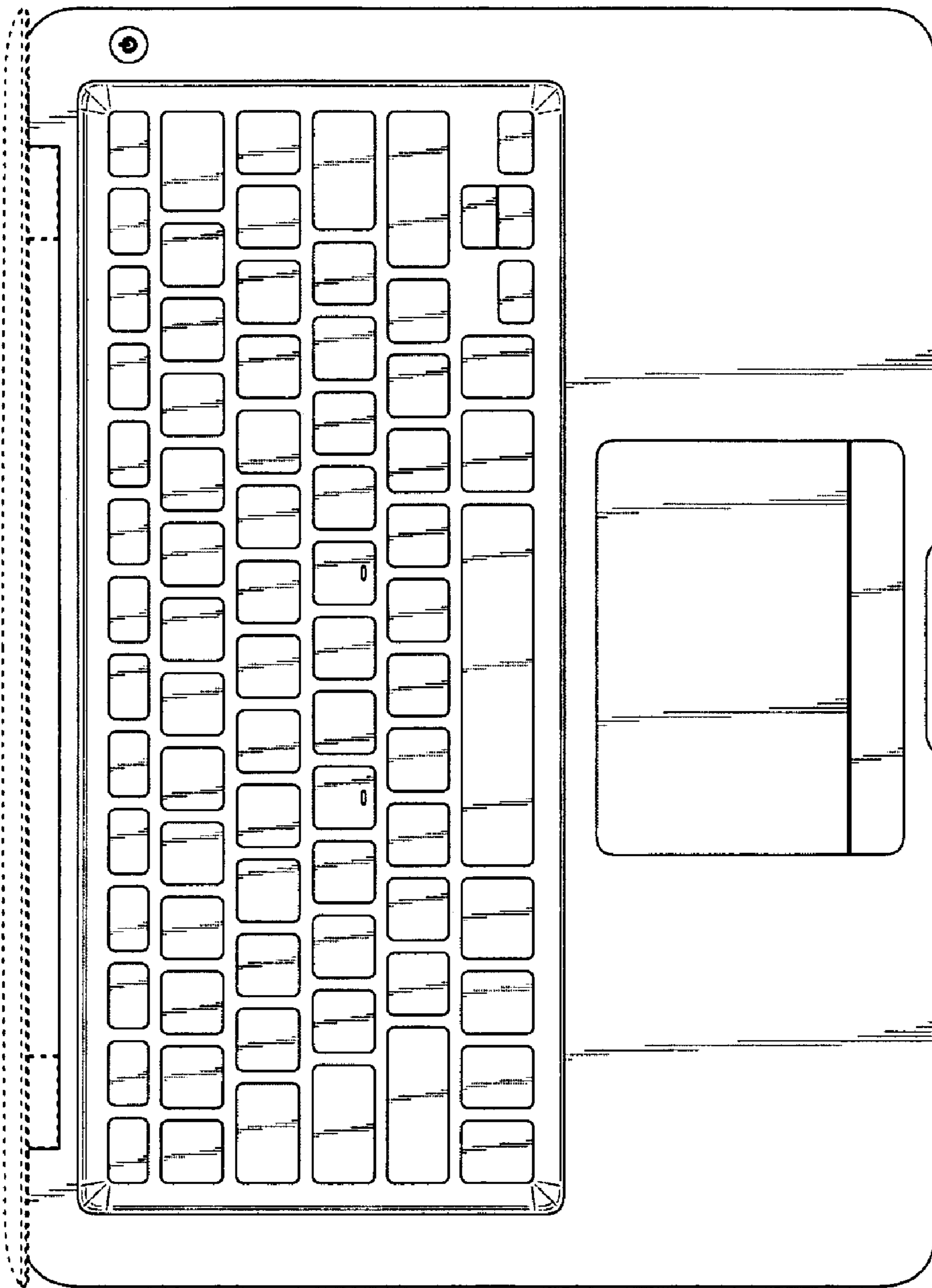


Fig. 9

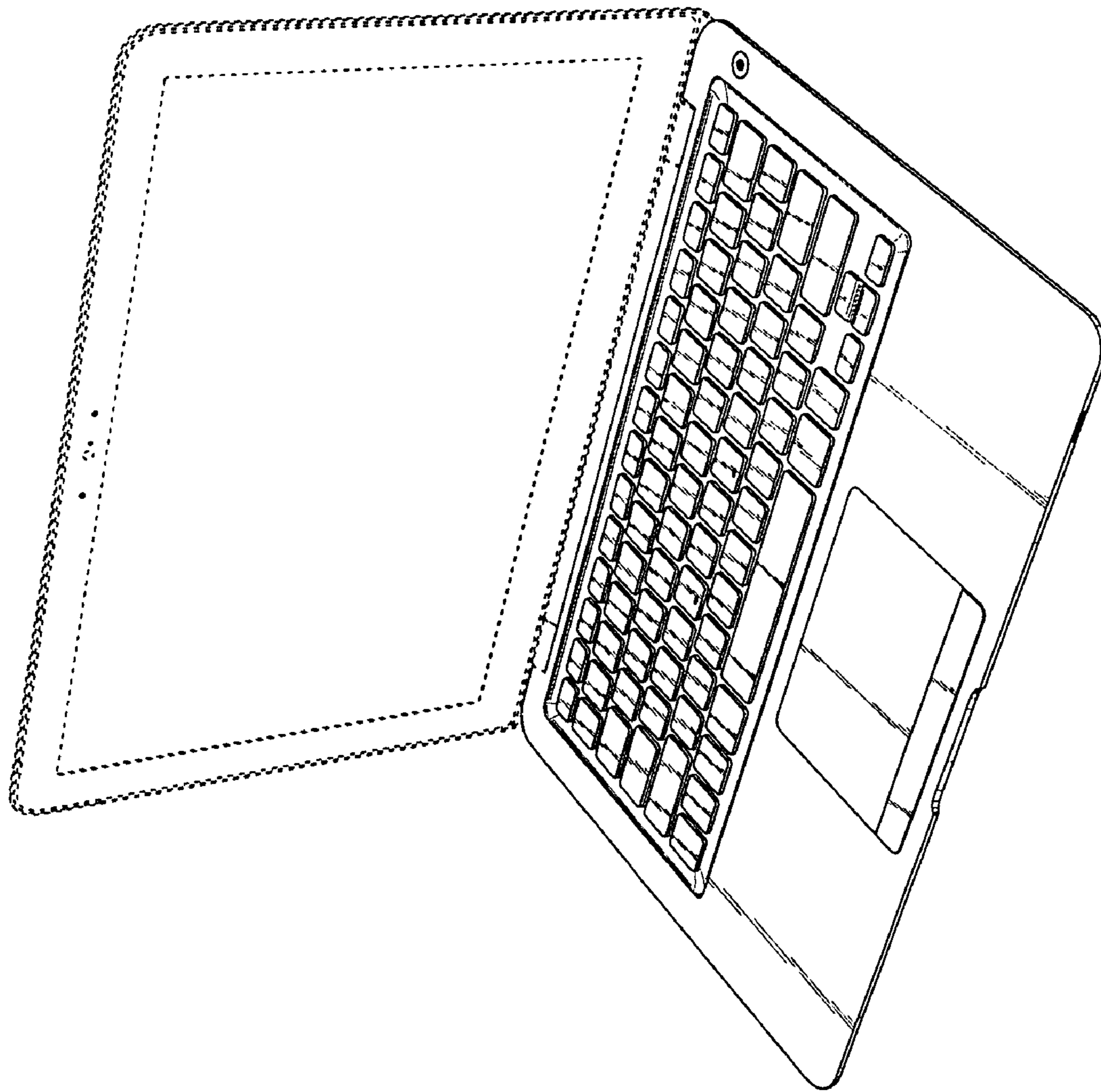


Fig. 10

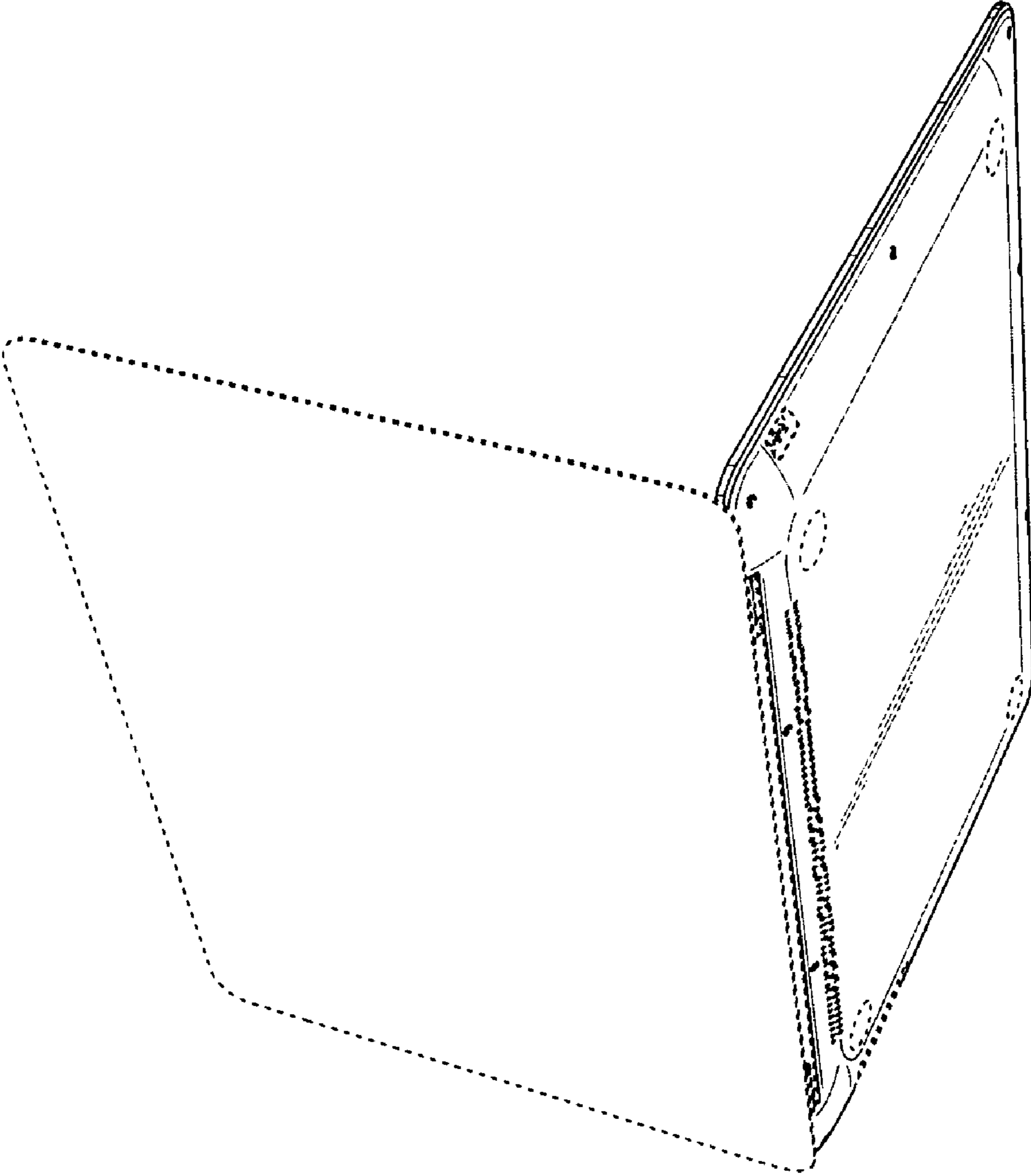


Fig. 11

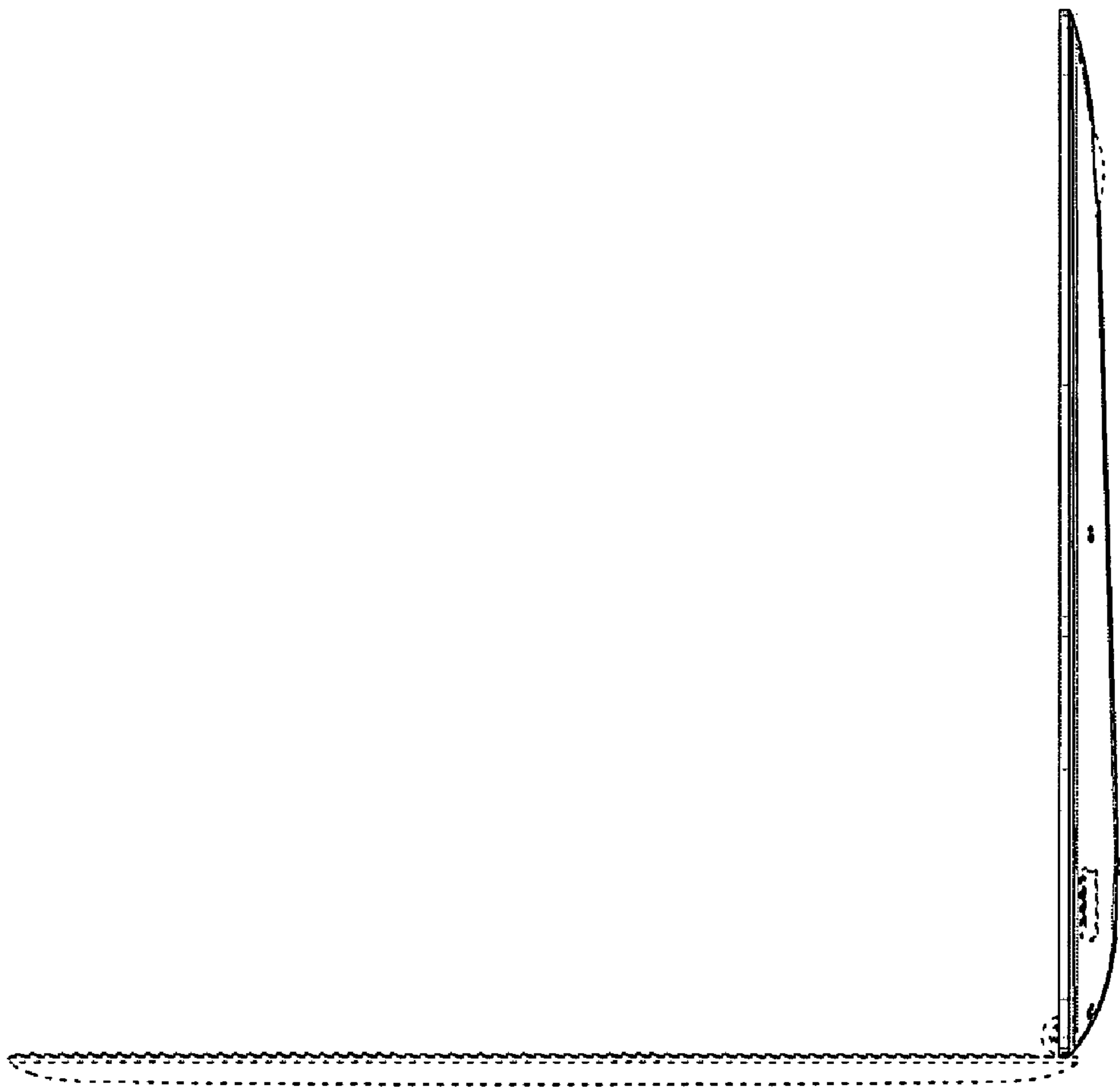


Fig. 12