



US00D604293S

(12) **United States Design Patent**
Andre et al.

(10) **Patent No.:** **US D604,293 S**
(45) **Date of Patent:** **** Nov. 17, 2009**

(54) **PORTABLE COMPUTER**

(75) Inventors: **Bartley K. Andre**, Menlo Park, CA (US); **Daniel J. Coster**, San Francisco, CA (US); **Daniele De Iuliis**, San Francisco, CA (US); **Evans Hankey**, San Francisco, CA (US); **Richard P. Howarth**, San Francisco, CA (US); **Jonathan P. Ive**, San Francisco, CA (US); **Steve Jobs**, Palo Alto, CA (US); **Duncan Robert Kerr**, San Francisco, CA (US); **Shin Nishibori**, Portola Valley, CA (US); **Matthew Dean Rohrbach**, San Francisco, CA (US); **Peter Russell-Clarke**, San Francisco, CA (US); **Douglas B. Satzger**, Menlo Park, CA (US); **Christopher J. Stringer**, Woodside, CA (US); **Eugene Antony Whang**, San Francisco, CA (US); **Rico Zorkendorfer**, San Francisco, CA (US)

(73) Assignee: **Apple, Inc.**, Cupertino, CA (US)

(**) Term: **14 Years**

(21) Appl. No.: **29/326,540**

(22) Filed: **Oct. 20, 2008**

Related U.S. Application Data

(63) Continuation of application No. 29/326,082, filed on Oct. 10, 2008.

(51) **LOC (9) Cl.** **14-02**

(52) **U.S. Cl.** **D14/315**

(58) **Field of Classification Search** D14/315-327; D18/1, 2, 7, 11; 235/145 A, 145 R; 341/22, 341/23; 345/156, 157, 168, 169, 173; 361/680-686, 361/679.27; 348/373; 715/783
See application file for complete search history.

(56) **References Cited**

U.S. PATENT DOCUMENTS

6,067,224 A * 5/2000 Nobuchi 361/679.27
D431,821 S * 10/2000 Mizuno D14/318
D463,797 S 10/2002 Andre et al.
D491,177 S 6/2004 Andre et al.

D493,785 S 8/2004 Andre et al.
D504,889 S 5/2005 Andre et al.
D517,063 S * 3/2006 Nakajima et al. D14/318
D523,429 S * 6/2006 Lin D14/318
D524,306 S * 7/2006 Yun et al. D14/315
D526,999 S * 8/2006 Tago D14/327
D533,550 S * 12/2006 Yamada D14/318
D558,752 S 1/2008 Andre et al.
D558,753 S 1/2008 Andre et al.
D571,364 S 6/2008 Andre et al.
D572,246 S * 7/2008 Andre et al. D14/315
D572,247 S * 7/2008 Andre et al. D14/315
D574,378 S * 8/2008 Andre et al. D14/315
2005/0018396 A1 * 1/2005 Nakajima et al. 361/683
2005/0041378 A1 * 2/2005 Hamada et al. 361/680

OTHER PUBLICATIONS

Photographs of Sony VAIO PCG-4G1L, available at least as early as May 8, 2006.

Apple MacBook Air, available Jan. 15, 2008, http://images.apple.com/macbookair/images/design_gal01_20080115.jpg.

Apple MacBook Air, available Jan. 15, 2008, http://images.apple.com/macbookair/images/design_gal02_20080115.jpg.

Apple MacBook Air, available Jan. 15, 2008, http://images.apple.com/macbookair/images/design_gal03_20080115.jpg.

Apple MacBook Air, available Jan. 15, 2008, http://images.apple.com/macbookair/images/design_gal04_20080115.jpg.

Apple MacBook Air, available Jan. 15, 2008, http://images.apple.com/macbookair/images/design_thinair20080115.jpg.

Apple MacBook Air, available Jan. 15, 2008, http://images.apple.com/macbookair/images/design_displayair20080115.jpg.

Apple MacBook Air, available Jan. 15, 2008, http://images.apple.com/macbookair/images/design_keyboardair20080115.jpg.

Apple MacBook Air, available Jan. 15, 2008, http://images.apple.com/macbookair/images/design_gal08_20080115.jpg.

* cited by examiner

Primary Examiner—Freda S Nunn

(74) *Attorney, Agent, or Firm*—Saidman DesignLaw Group

(57) **CLAIM**

The ornamental design for a portable computer, as shown and described.

DESCRIPTION

FIG. 1 is a front, top perspective view of a first embodiment showing our new design;

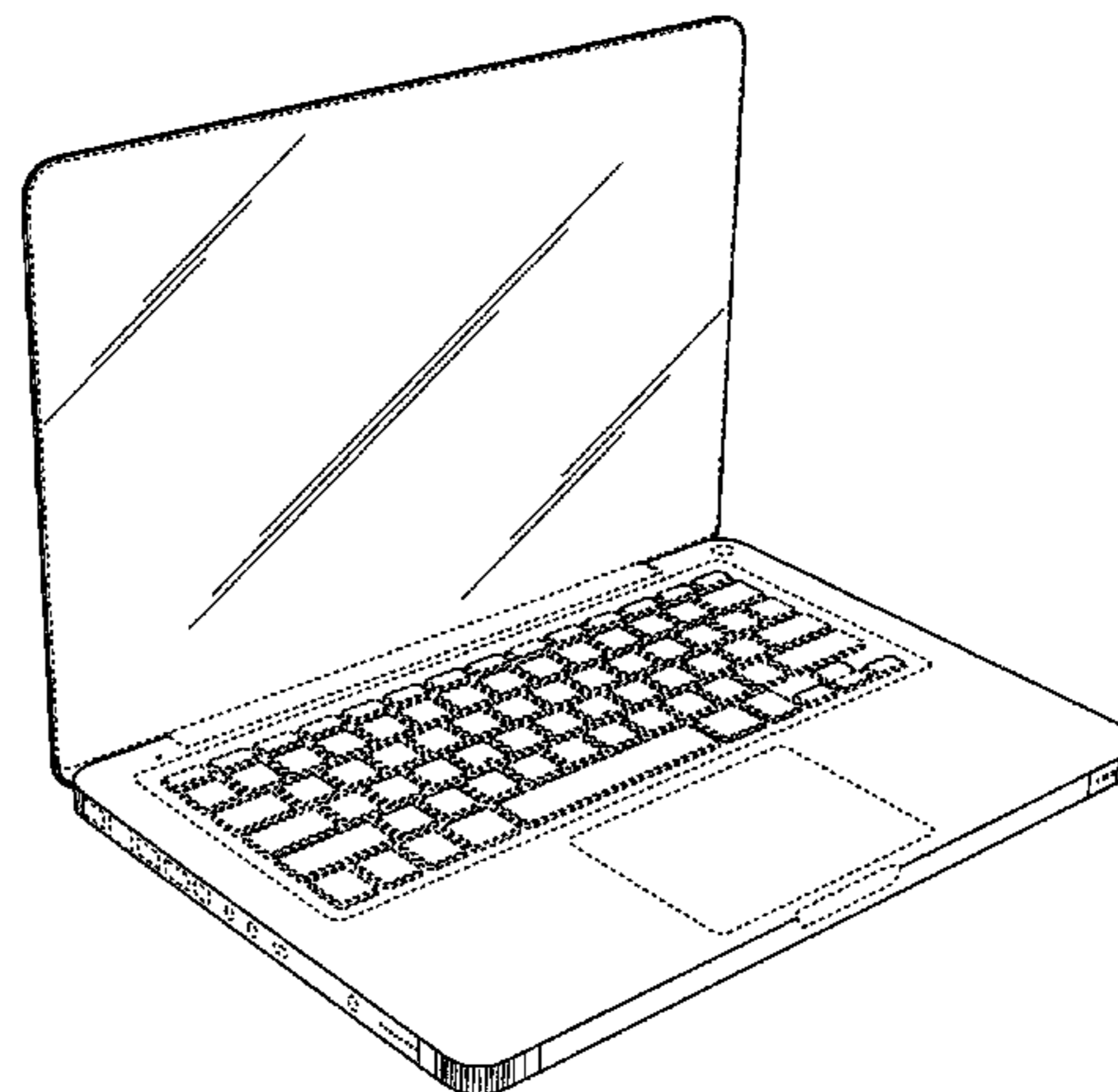
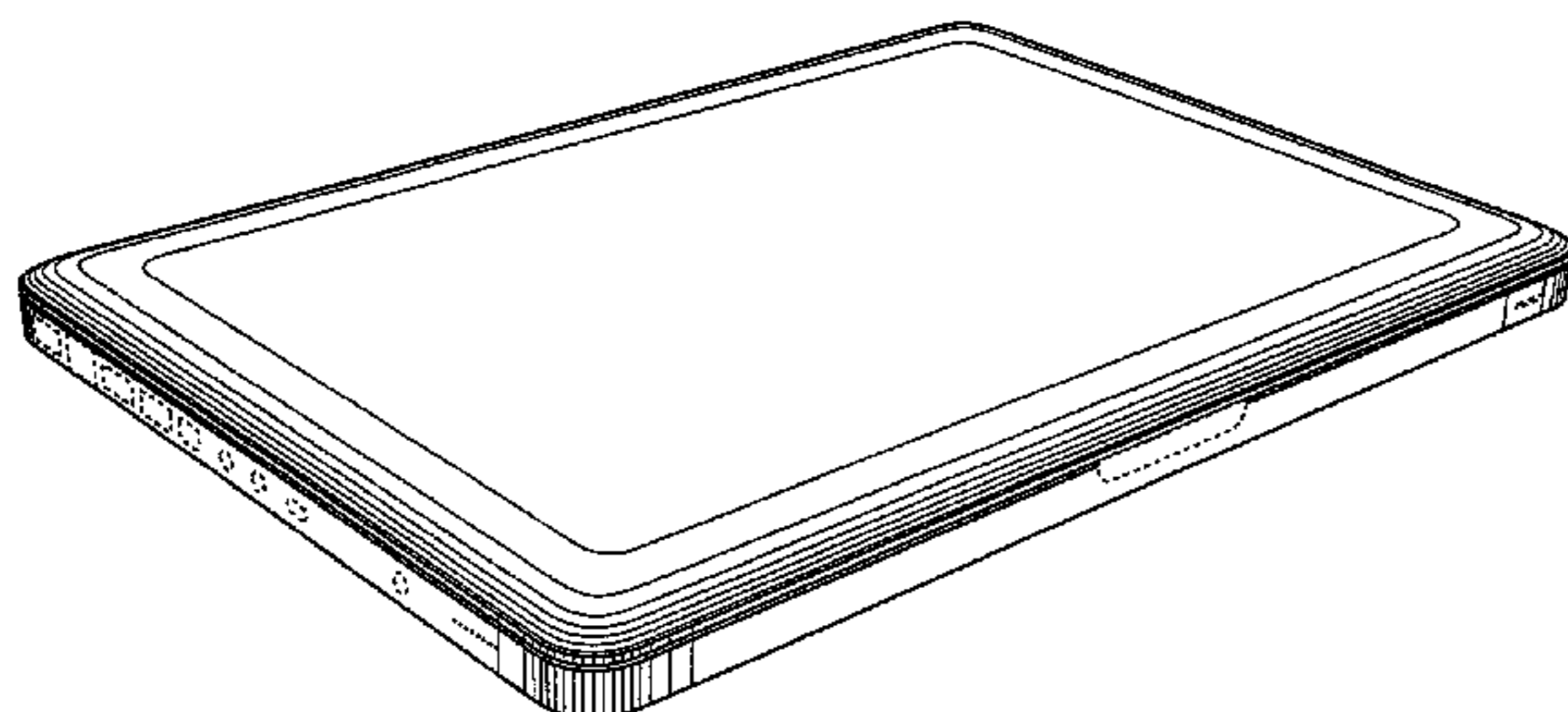


FIG. 2 is front view thereof;
FIG. 3 is a rear view thereof;
FIG. 4 is a left side view thereof;
FIG. 5 is a right side view thereof;
FIG. 6 is a top view thereof;
FIG. 7 is a bottom view thereof;
FIG. 8 is a bottom, front perspective view thereof;
FIG. 9 is a second bottom, front perspective view thereof with a latch in an open position;
FIG. 10 is a front, top perspective view thereof, with the portable computer shown in an open position;
FIG. 11 is a front view thereof;
FIG. 12 is a left rear view thereof;
FIG. 13 is a left side view thereof;
FIG. 14 is a right side view thereof;
FIG. 15 is a top view thereof;
FIG. 16 is a bottom view thereof;
FIG. 17 is a front, bottom perspective view thereof;
FIG. 18 is a front, top perspective view of a second embodiment showing our new design;
FIG. 19 is front view thereof;
FIG. 20 is a rear view thereof;
FIG. 21 is a left side view thereof;
FIG. 22 is a right side view thereof;
FIG. 23 is a top view thereof;
FIG. 24 is a bottom view thereof;
FIG. 25 is a bottom, front perspective view thereof;
FIG. 26 is a front, top perspective view thereof, with the portable computer shown in an open position;
FIG. 27 is a front view thereof;
FIG. 28 is a left rear view thereof;

FIG. 29 is a left side view thereof;
FIG. 30 is a right side view thereof;
FIG. 31 is a top view thereof;
FIG. 32 is a bottom view thereof;
FIG. 33 is a front, bottom perspective view thereof;
FIG. 34 is a front, top perspective view of a third embodiment showing our new design;
FIG. 35 is front view thereof;
FIG. 36 is a rear view thereof;
FIG. 37 is a left side view thereof;
FIG. 38 is a right side view thereof;
FIG. 39 is a top view thereof;
FIG. 40 is a bottom view thereof;
FIG. 41 is a bottom, front perspective view thereof;
FIG. 42 is a front, top perspective view thereof, with the portable computer shown in an open position;
FIG. 43 is a front view thereof;
FIG. 44 is a left rear view thereof;
FIG. 45 is a left side view thereof;
FIG. 46 is a right side view thereof;
FIG. 47 is a top view thereof;
FIG. 48 is a bottom view thereof; and,
FIG. 49 is a front, bottom perspective view thereof.

The claimed design is shown in relatively bold lines. The portion of the portable computer shown in gray shading represents a metallic-looking surface that preferably contrasts with the black portions. The relatively thin shade lines show contour and not surface ornamentation. The parallel diagonal shade lines represent a translucent surface and the broken lines are environmental and form no part of the claimed design.

1 Claim, 40 Drawing Sheets

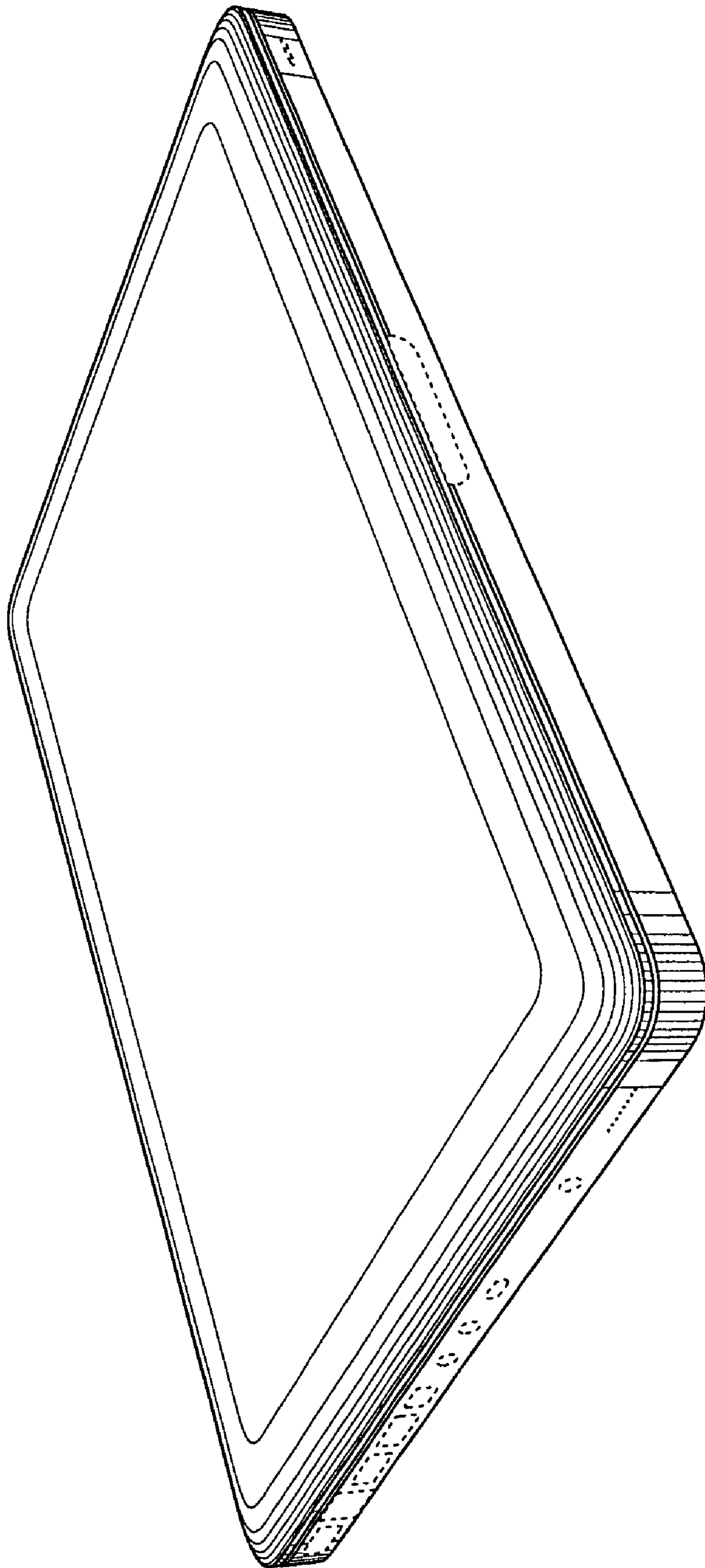


Fig. 1

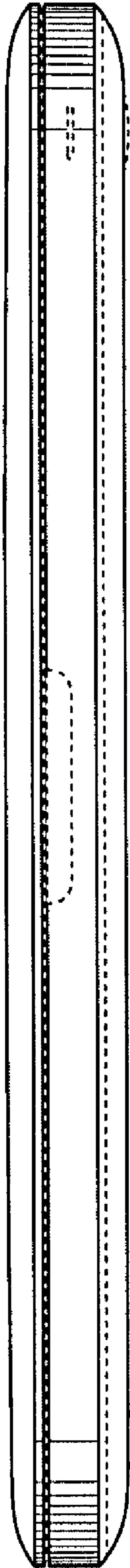


Fig. 2

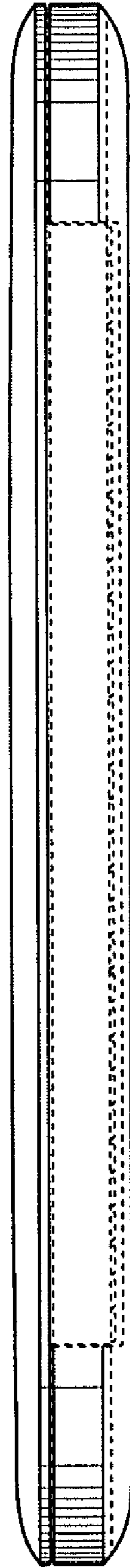


Fig. 3

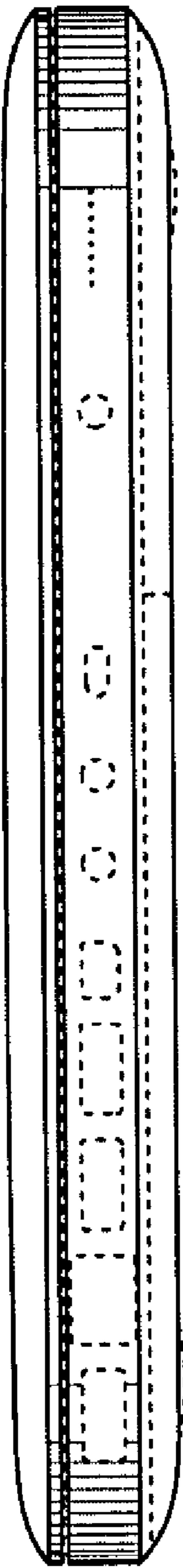


Fig. 4

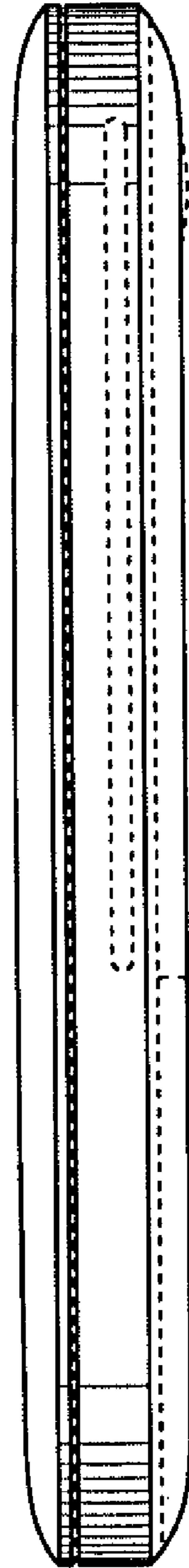


Fig. 5

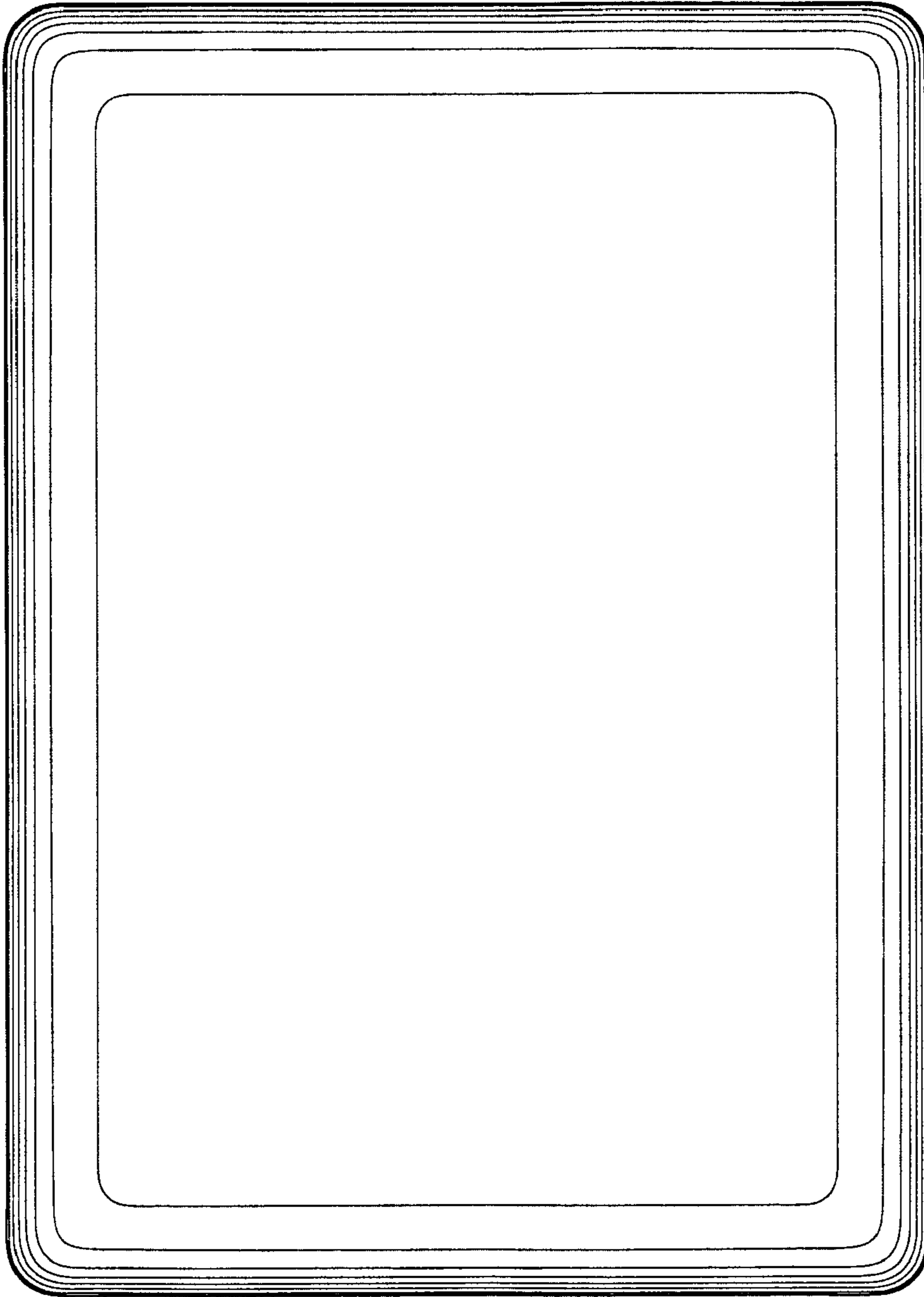


Fig. 6

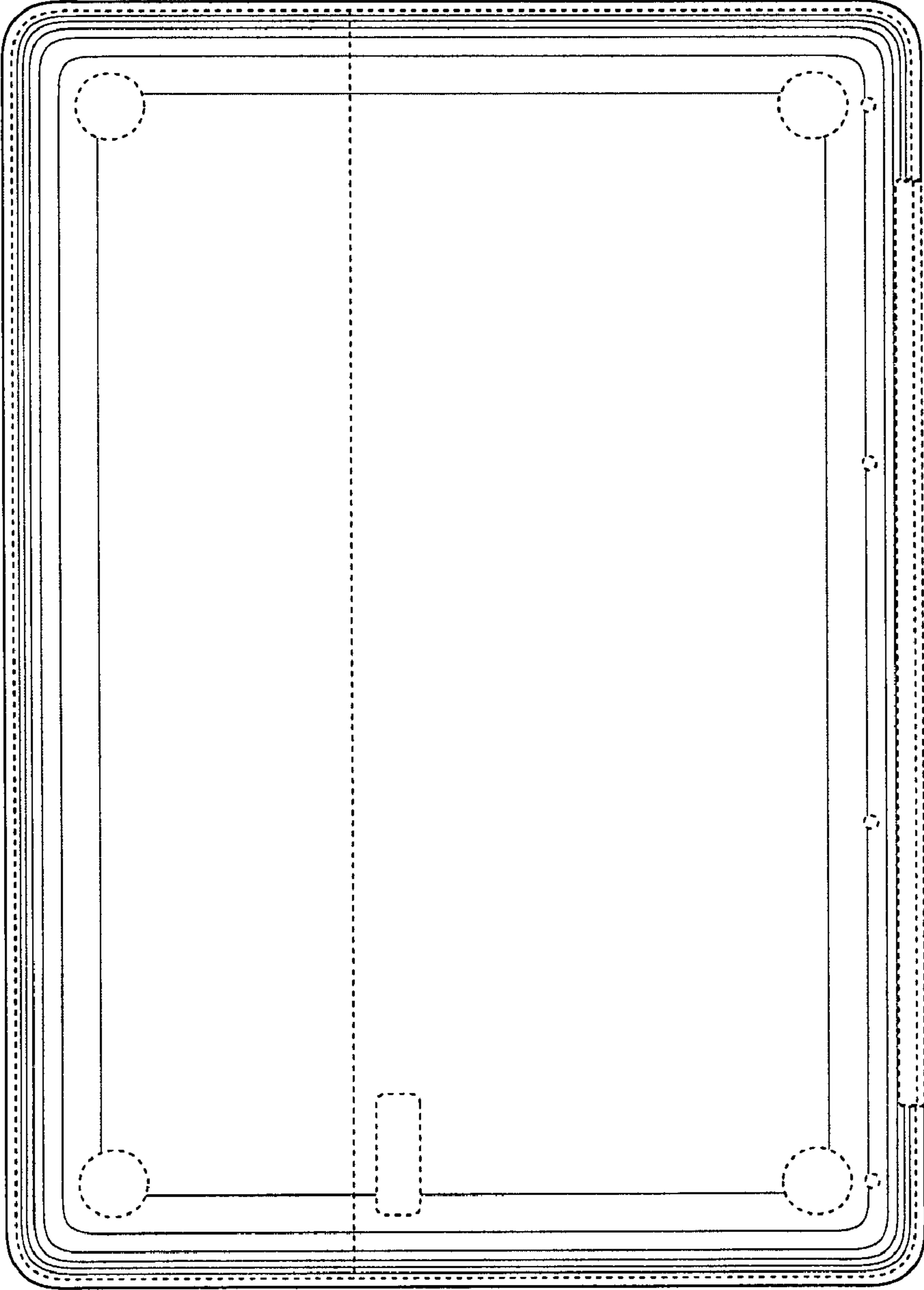


Fig. 7

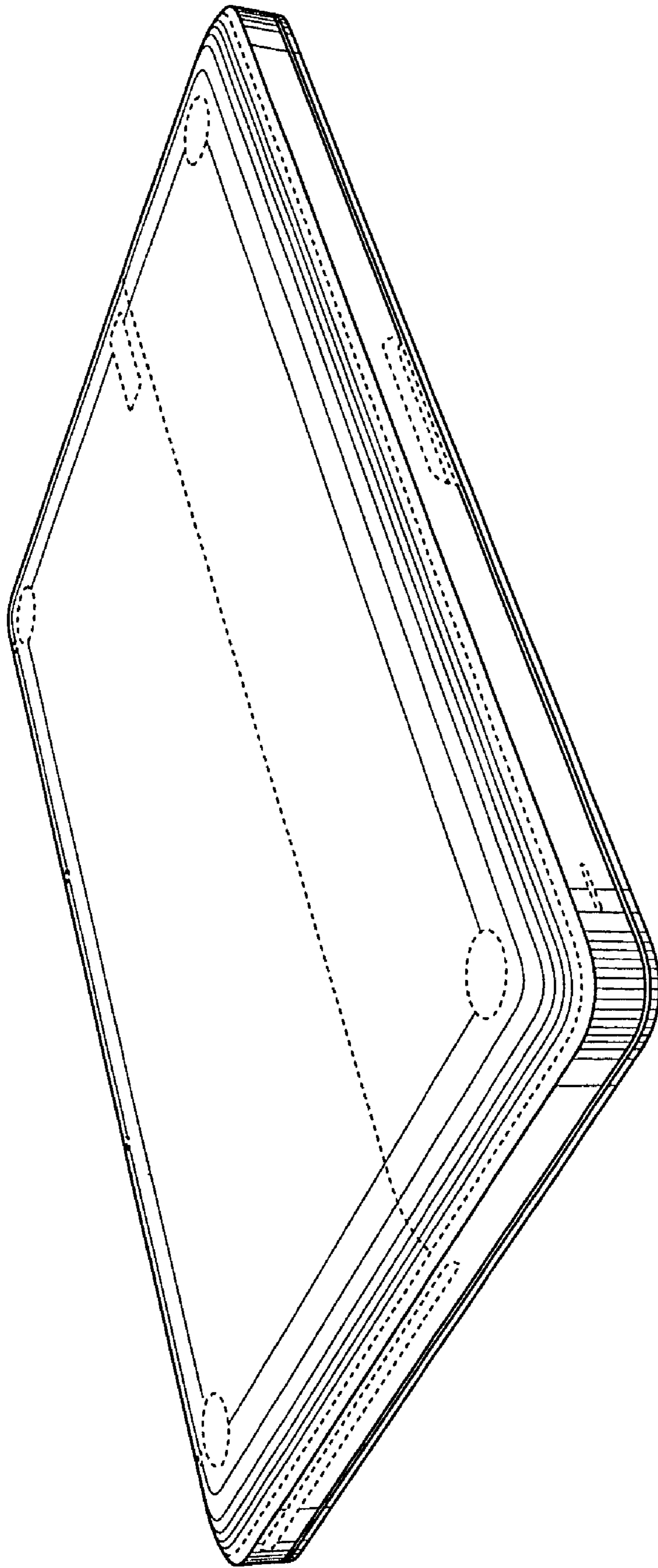


Fig. 8

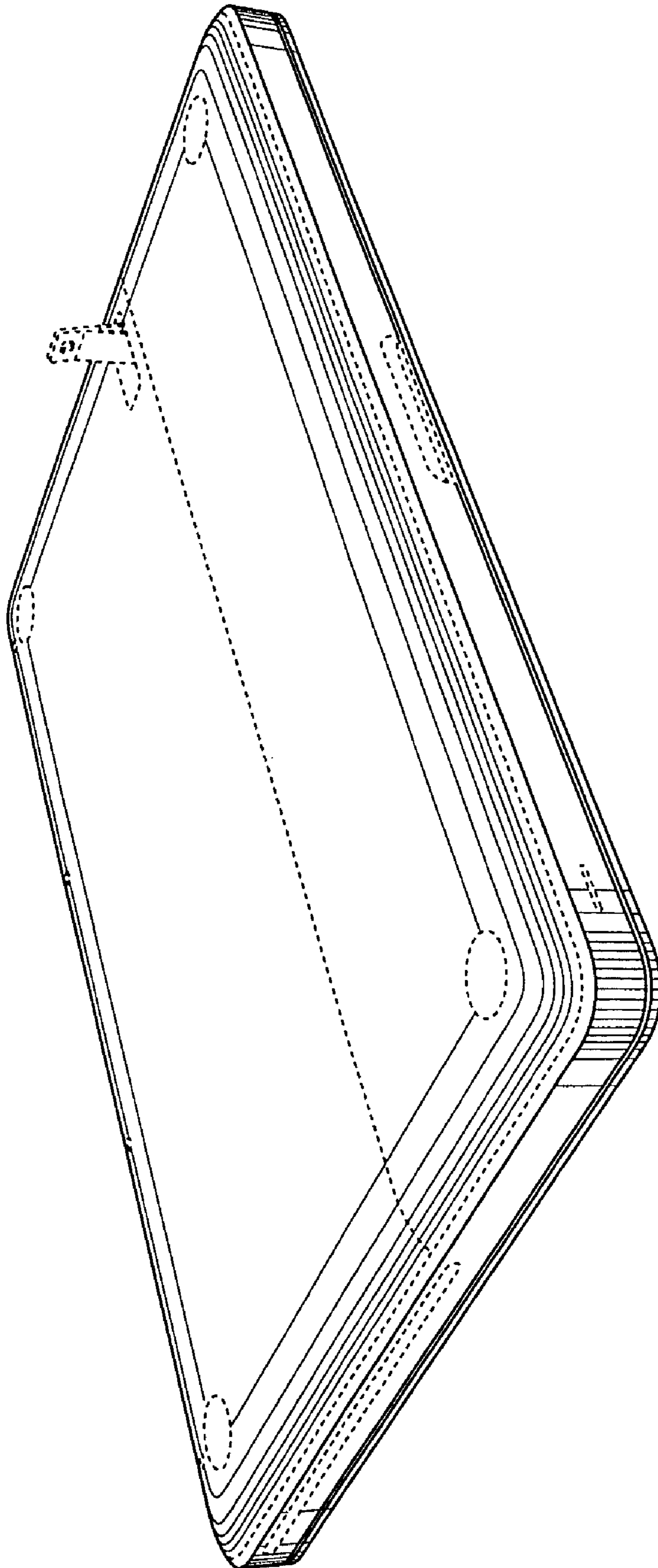


Fig. 9

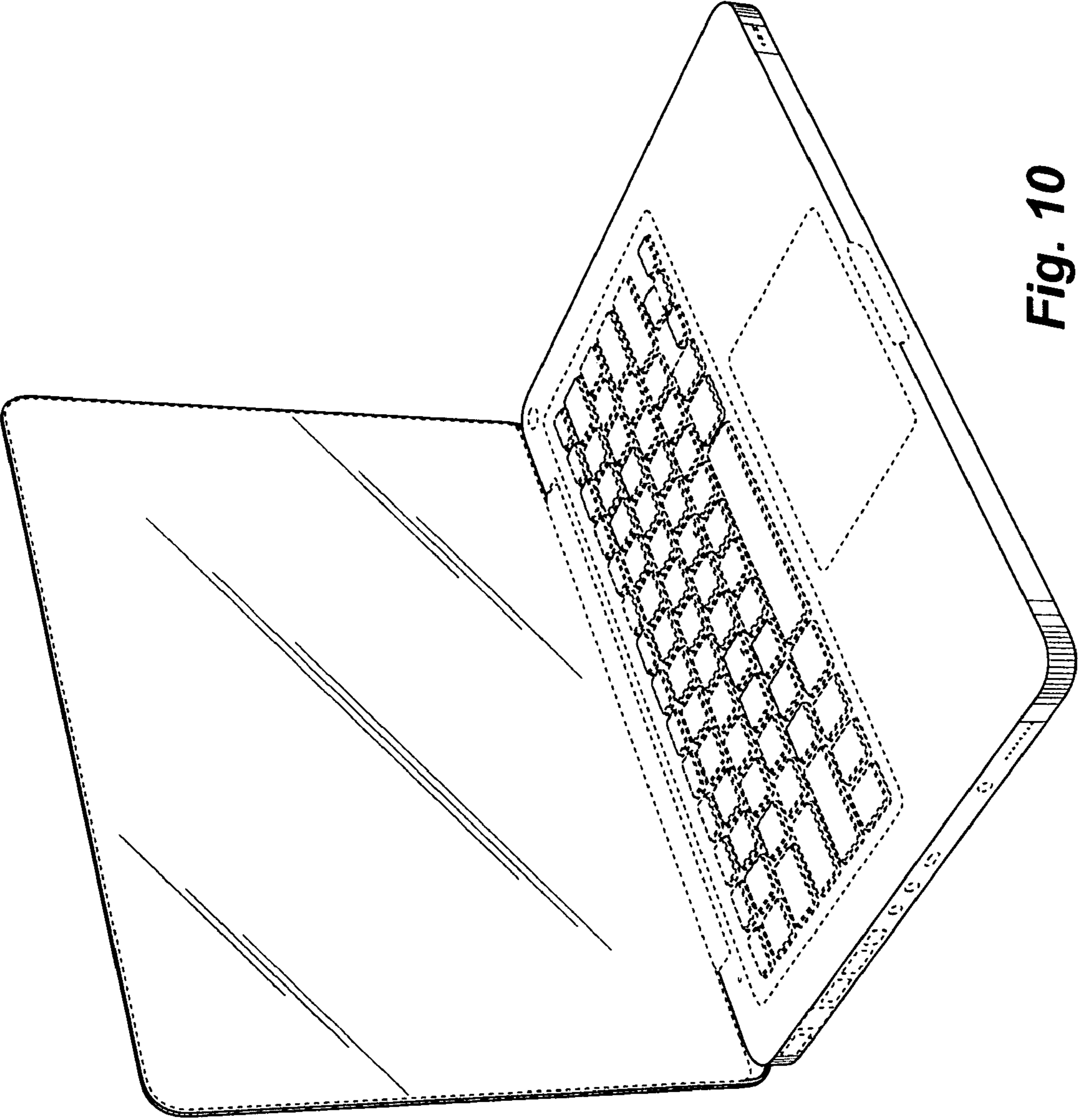


Fig. 10

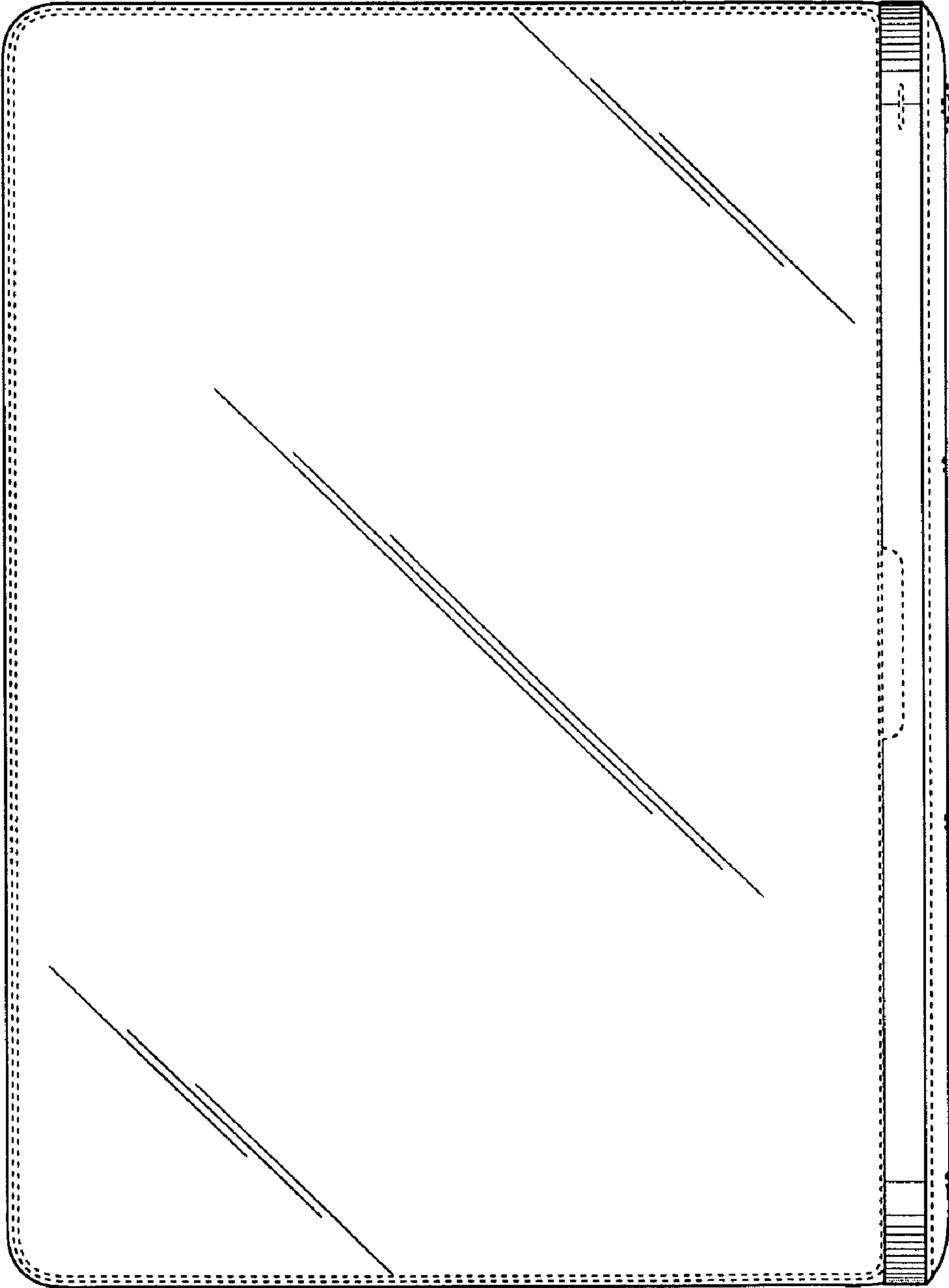


Fig. 11

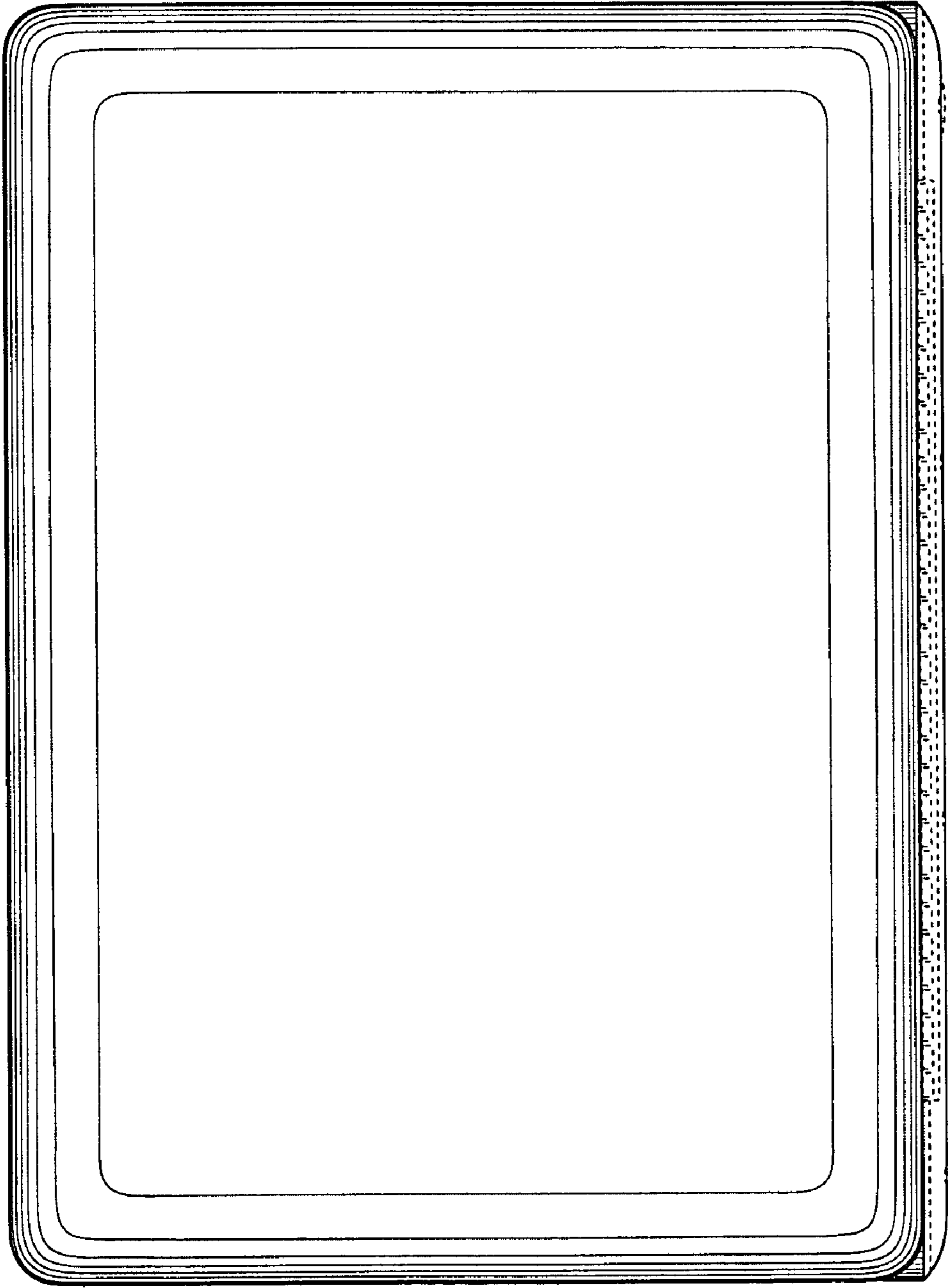


Fig. 12

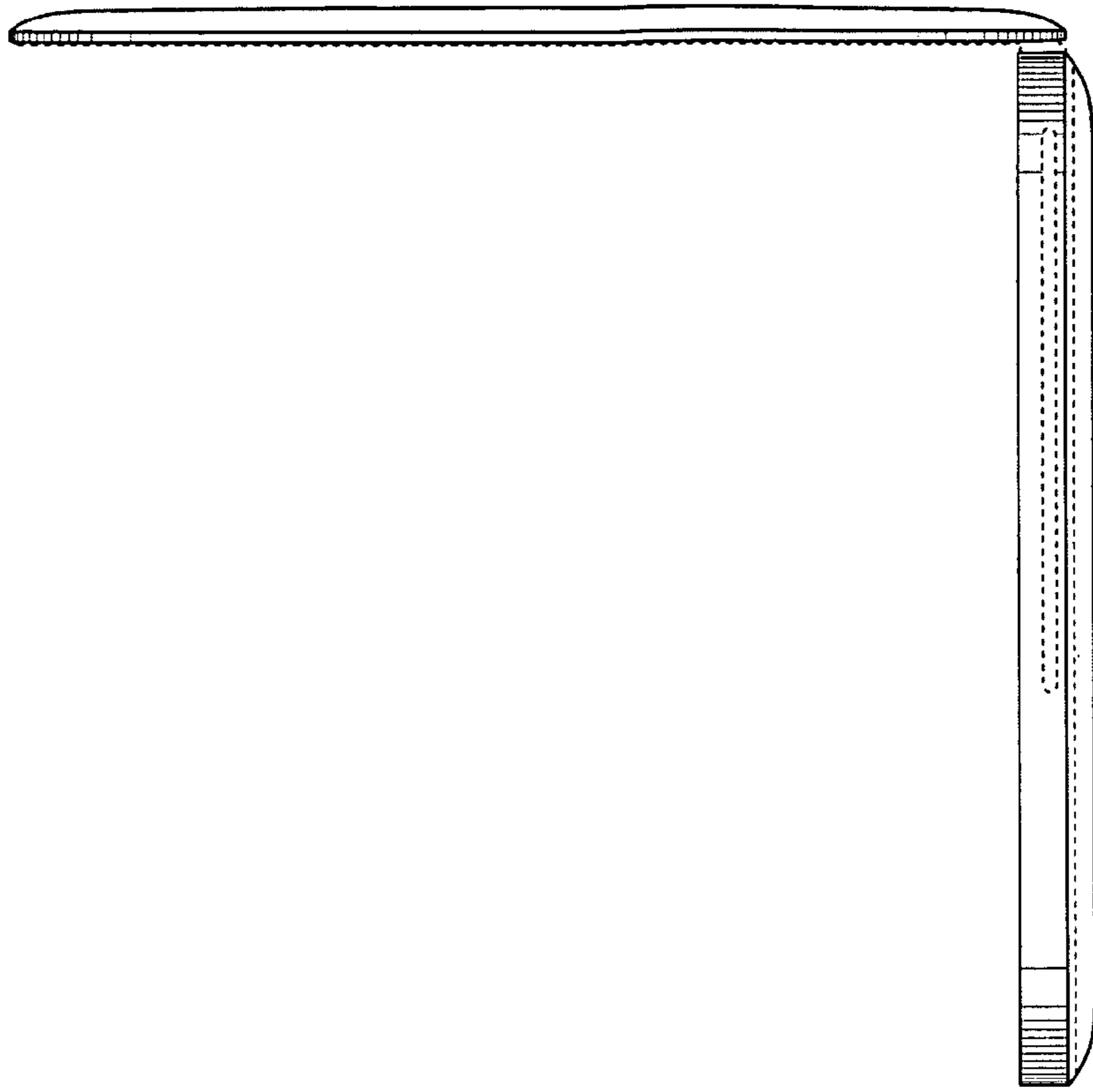


Fig. 14

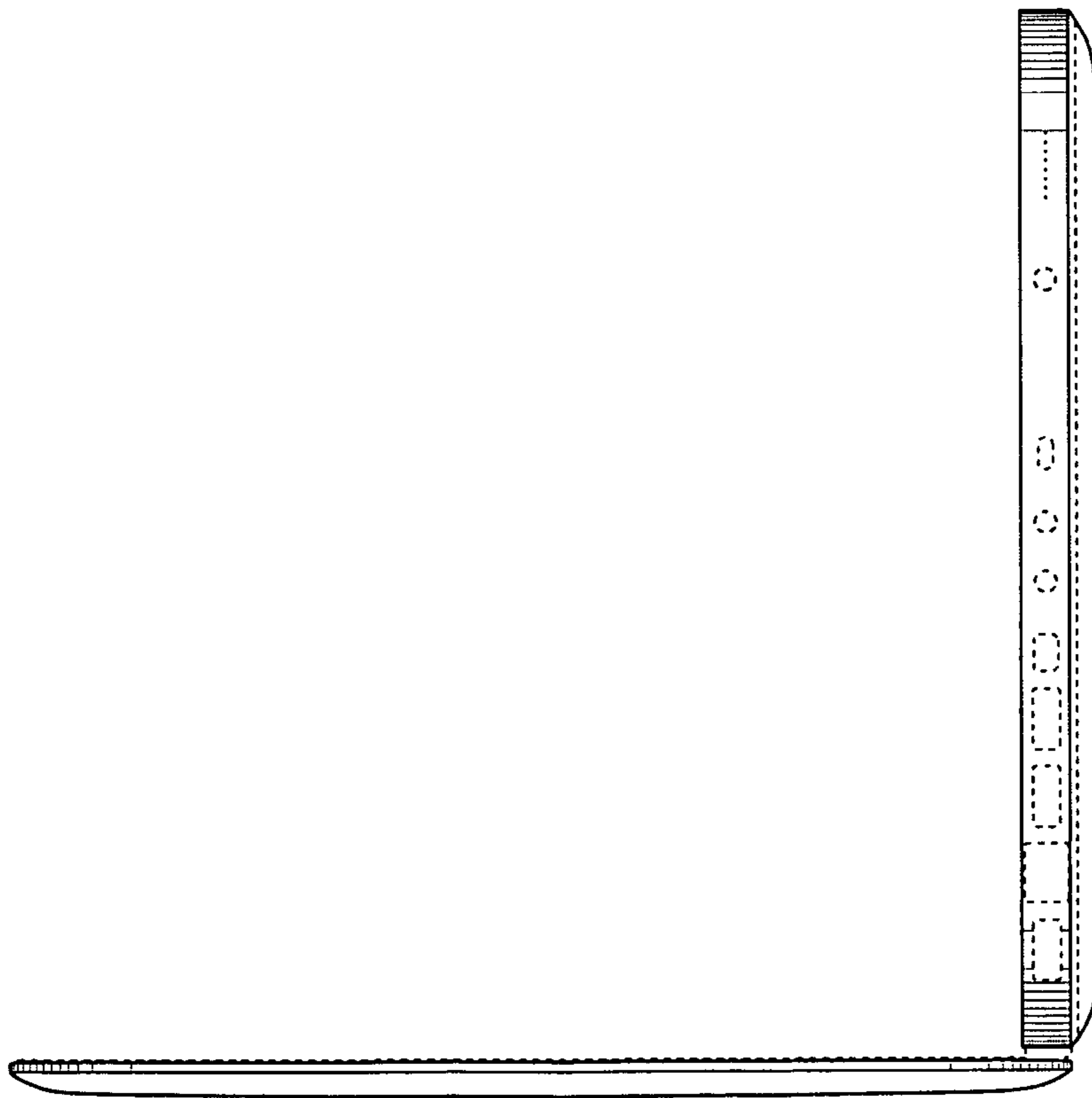


Fig. 13

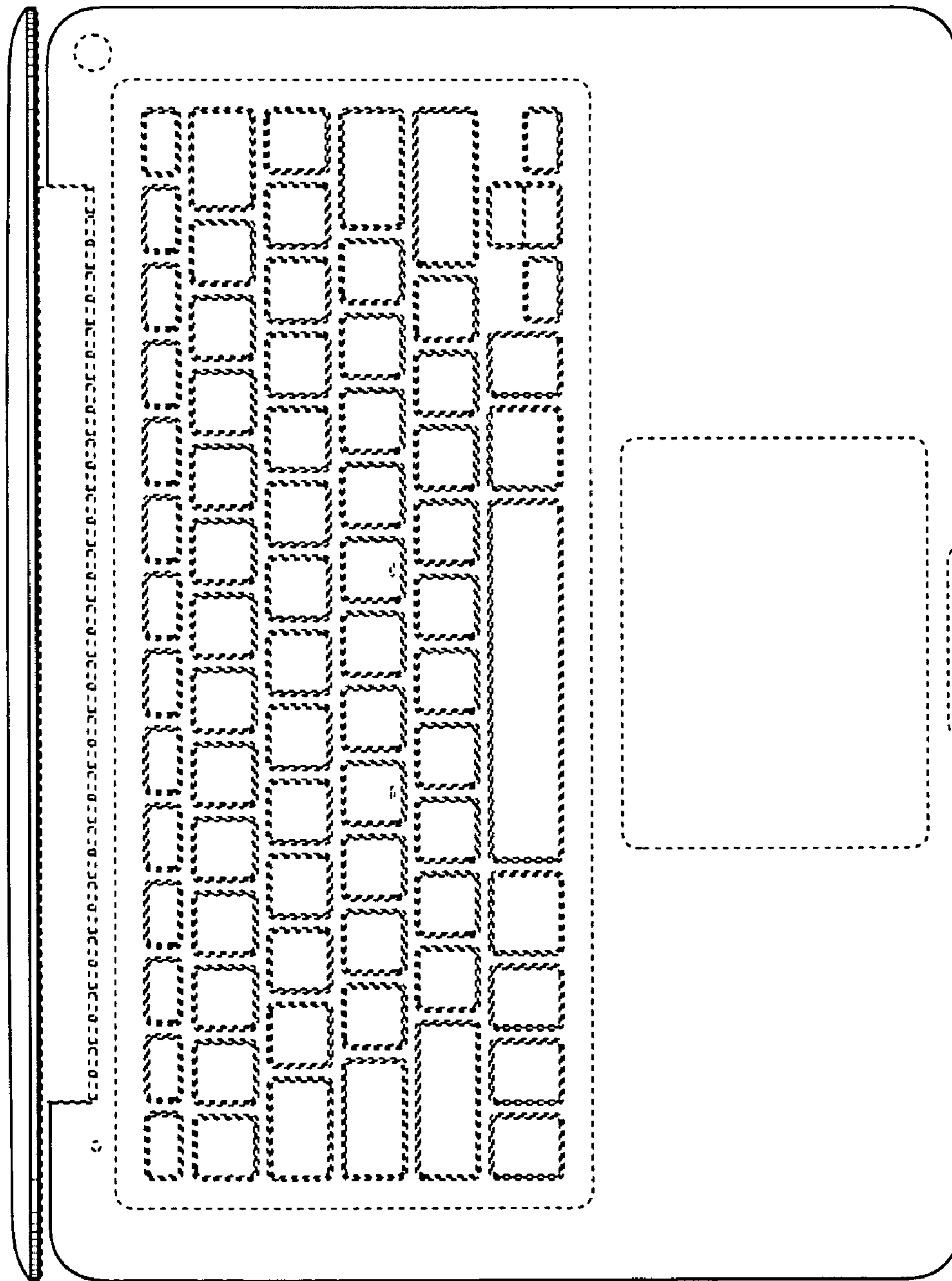


Fig. 15

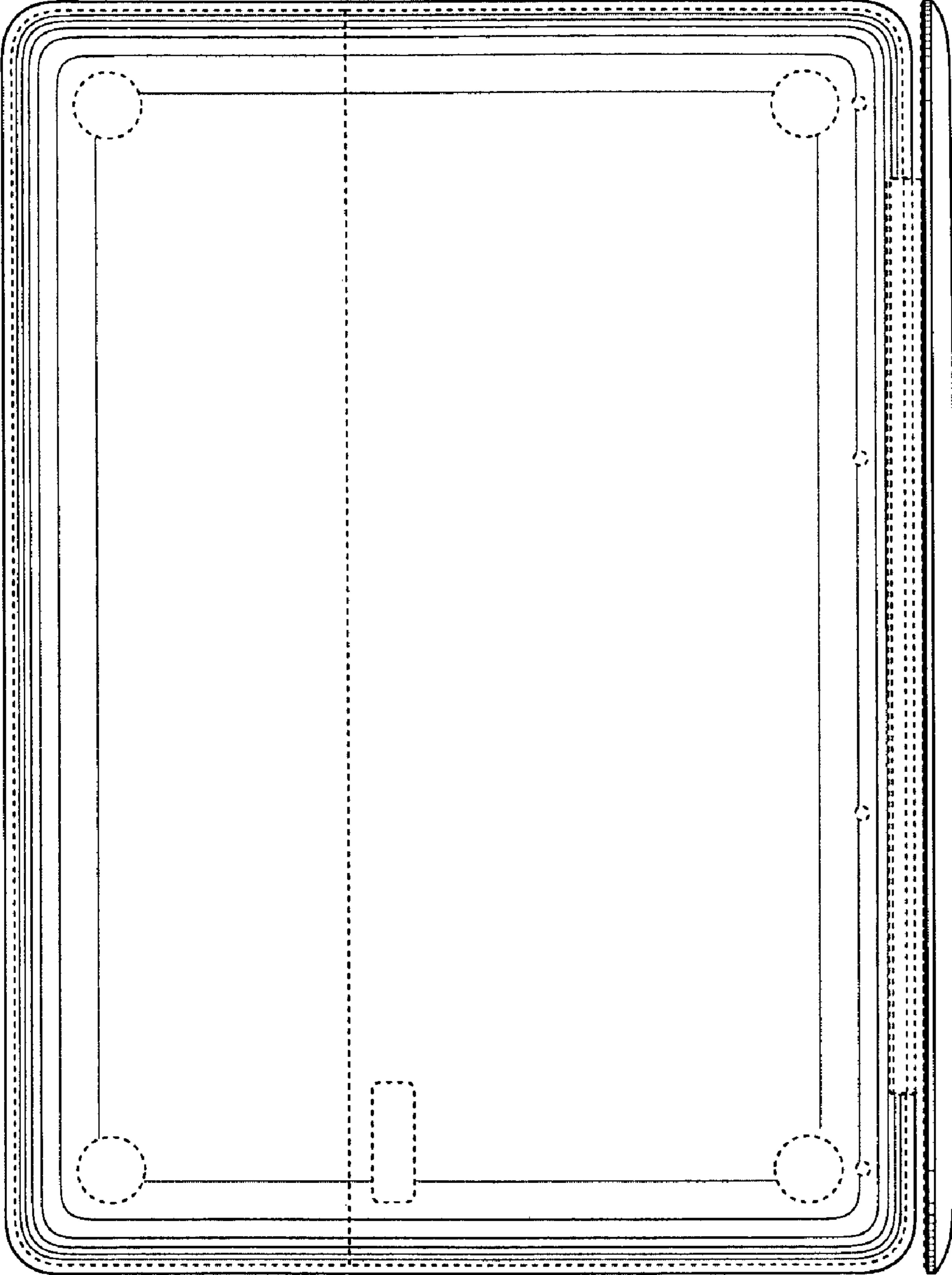


Fig. 16

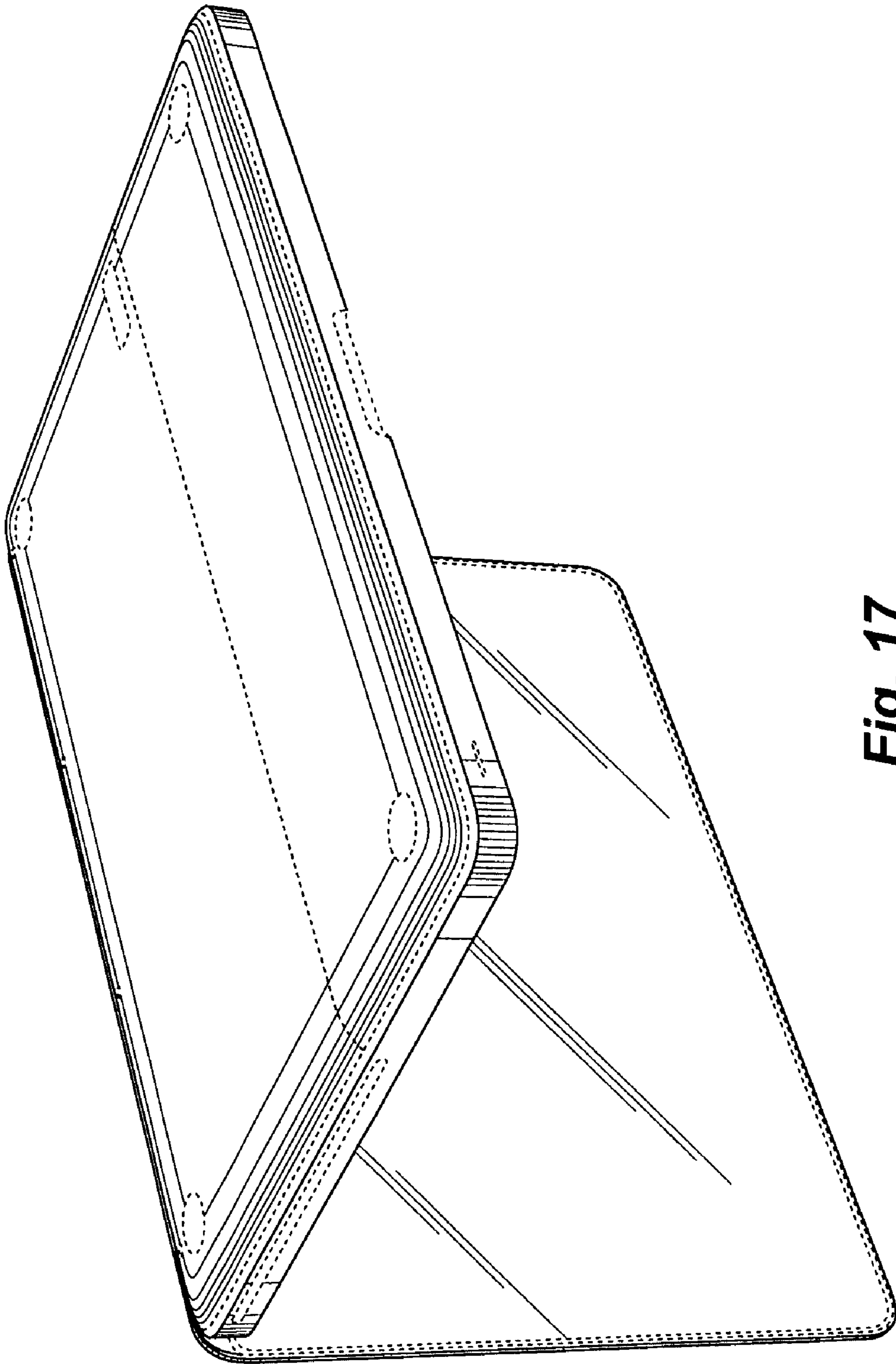


Fig. 17

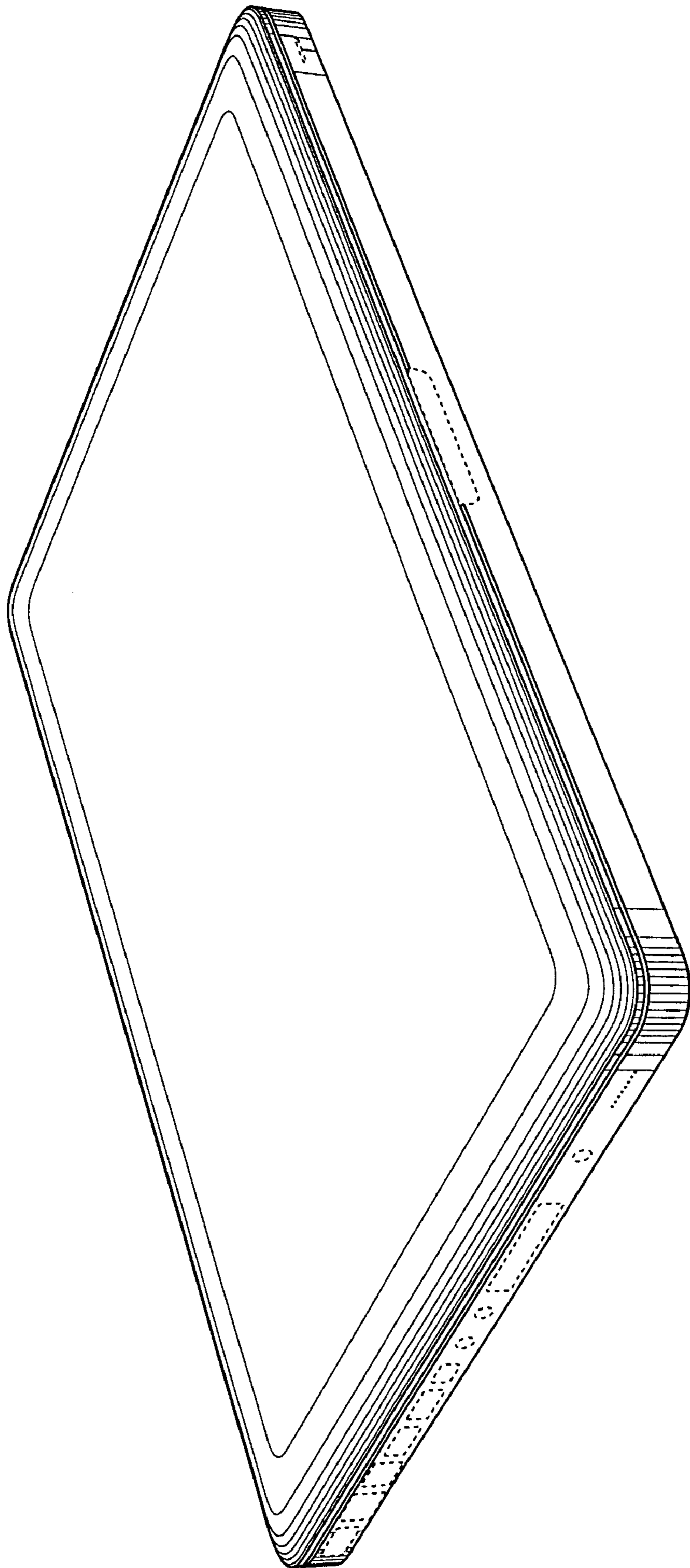


Fig. 18

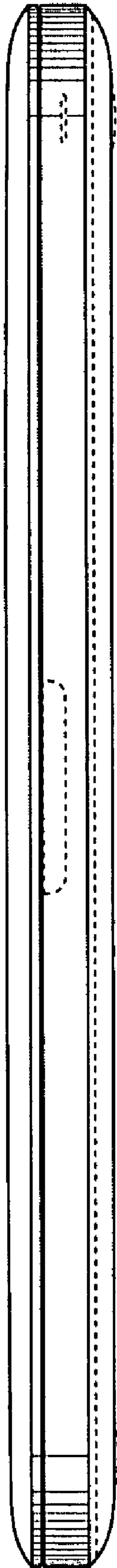


Fig. 19

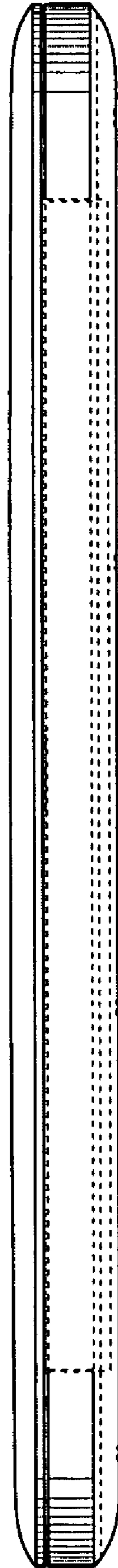


Fig. 20

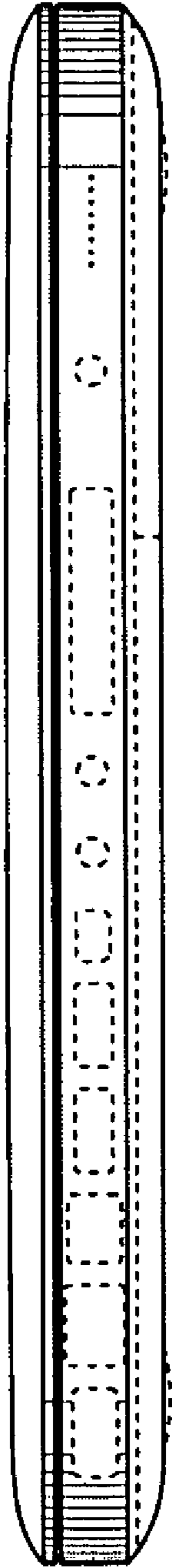


Fig. 21

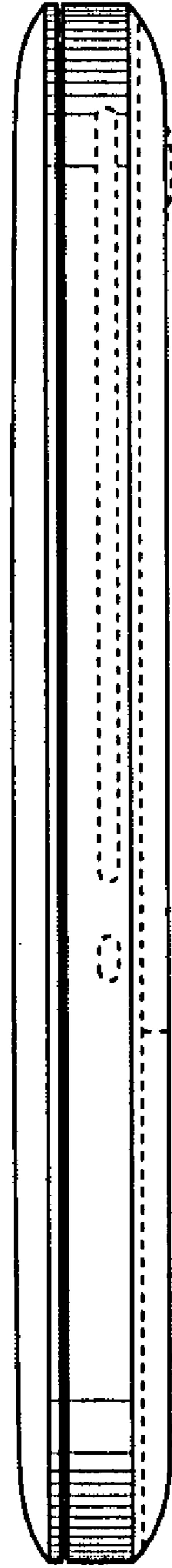


Fig. 22

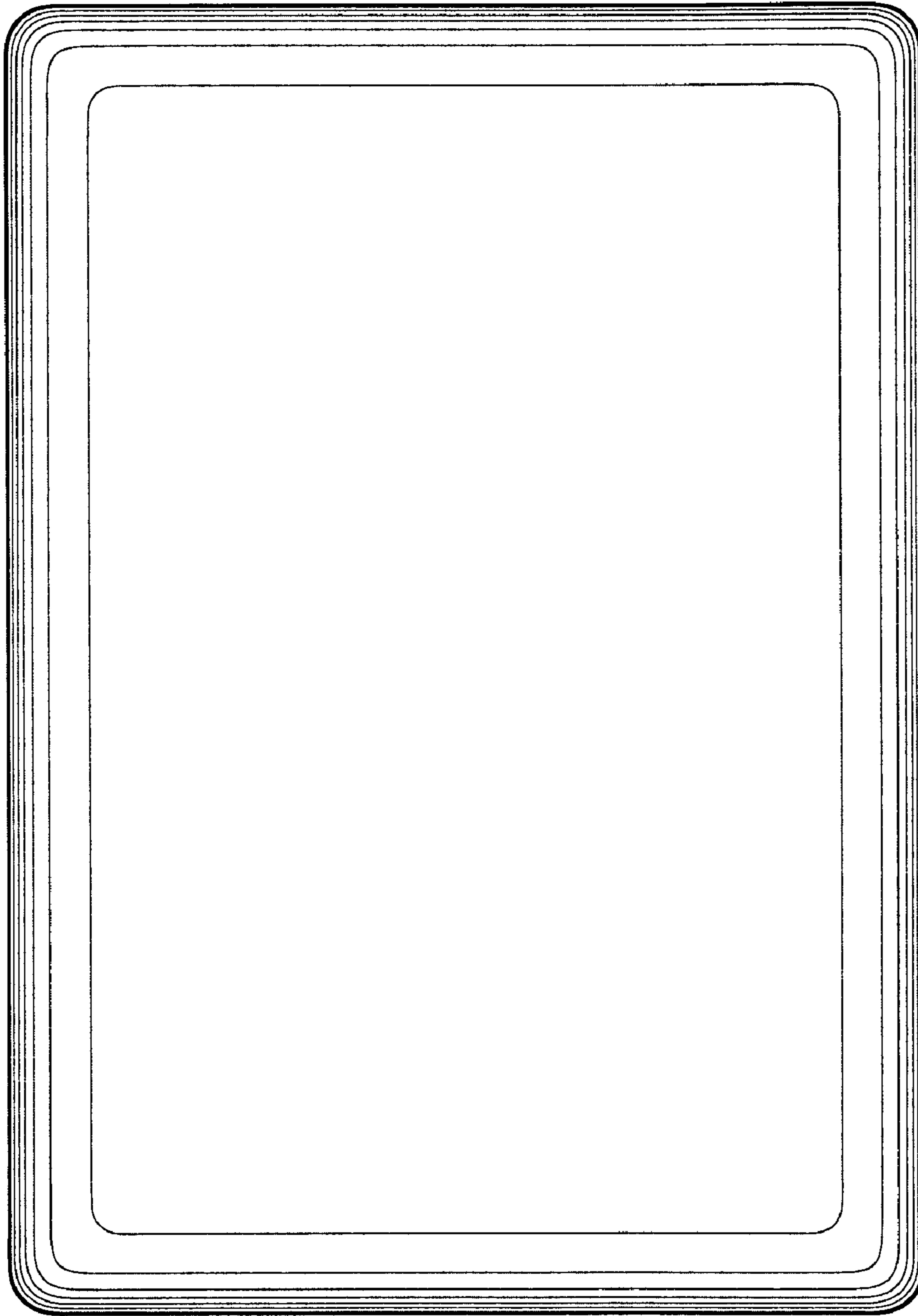


Fig. 23

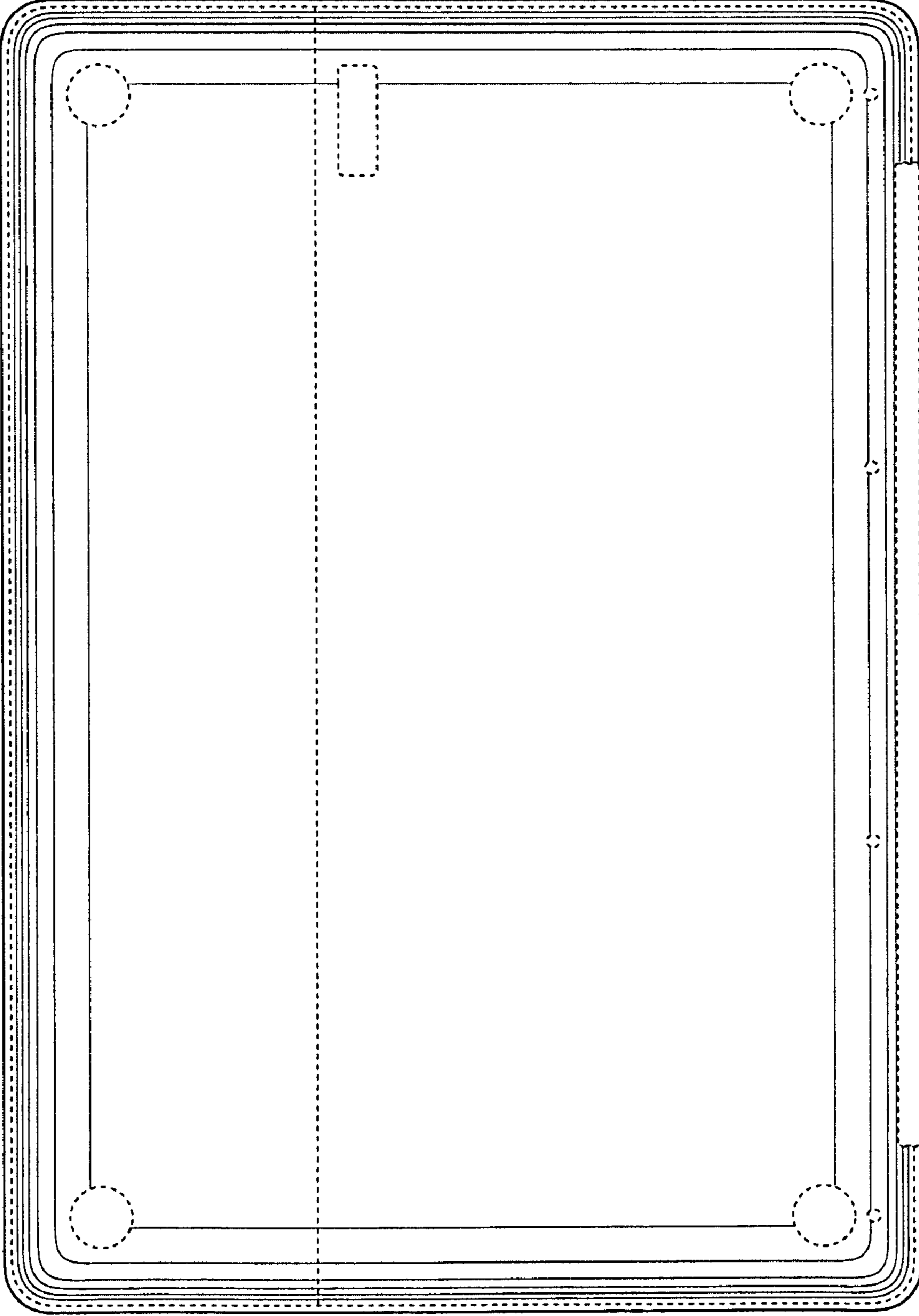


Fig. 24

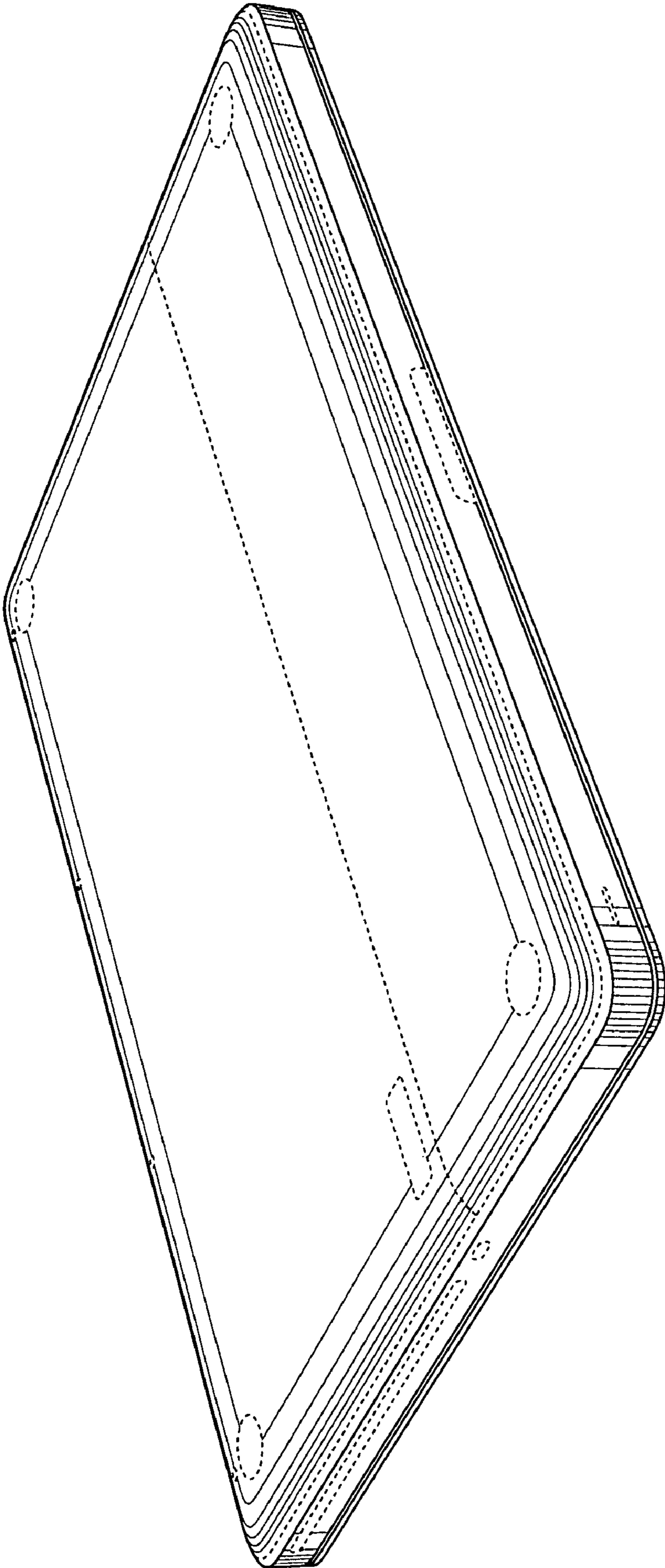


Fig. 25

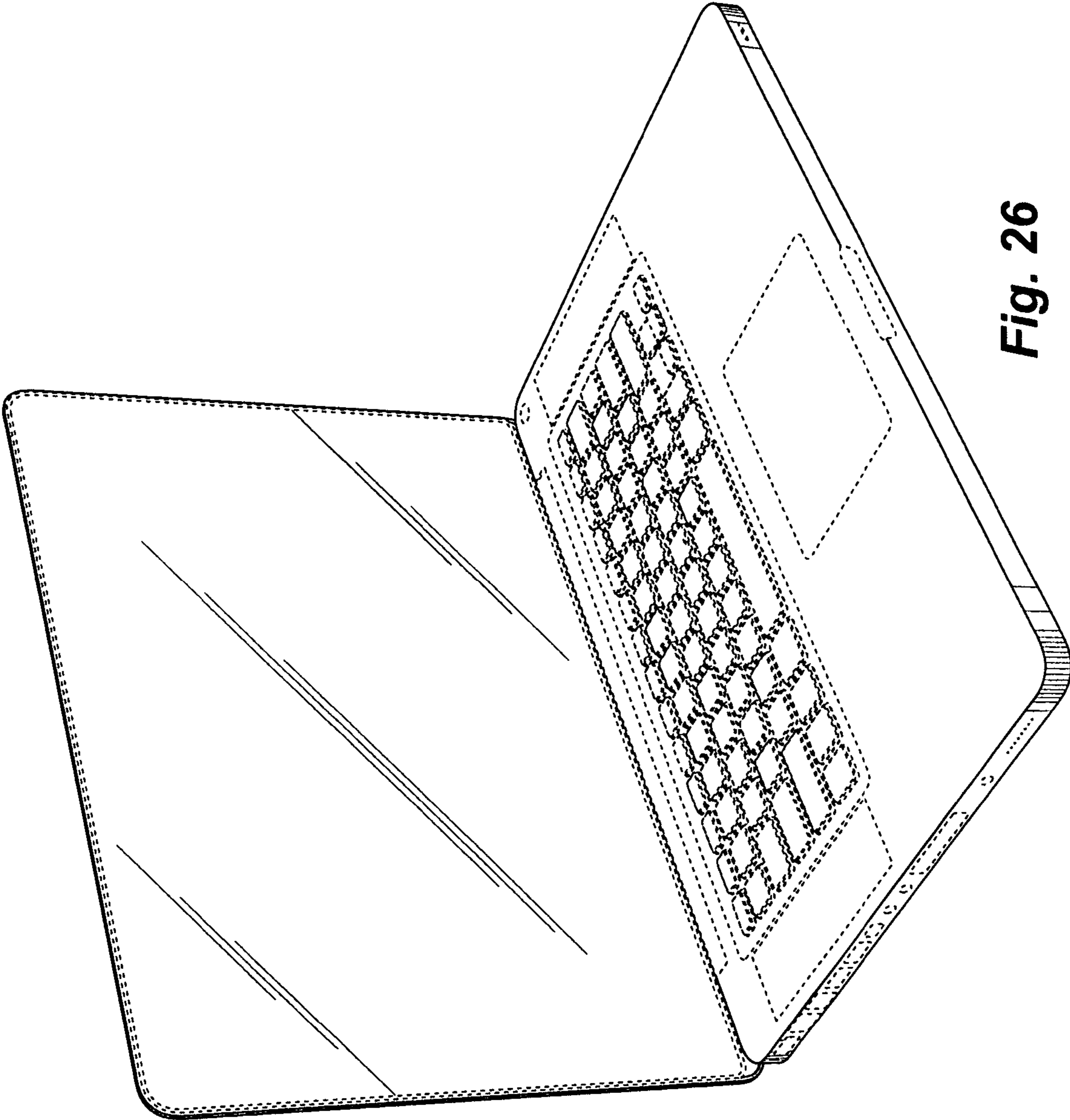


Fig. 26

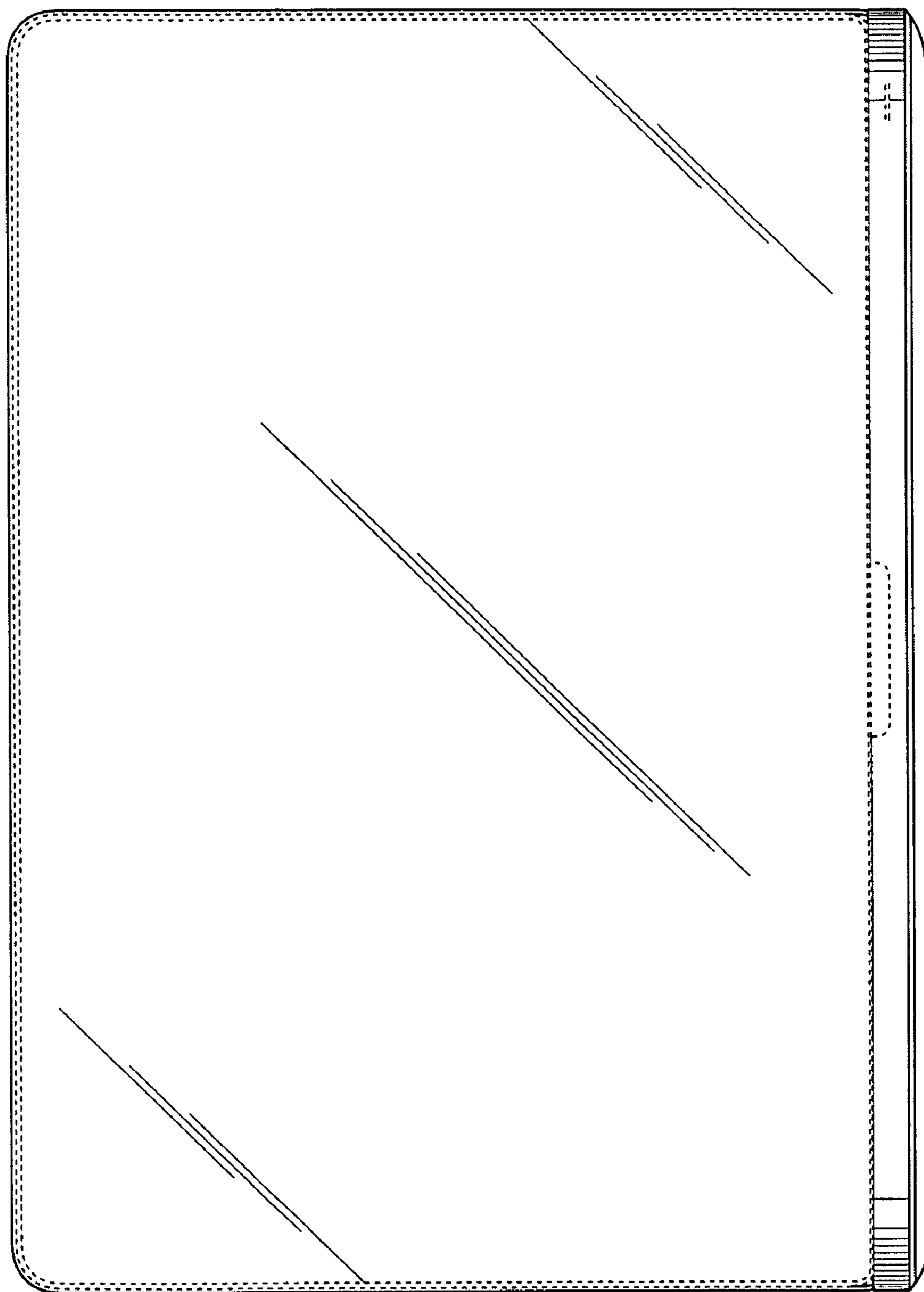


Fig. 27

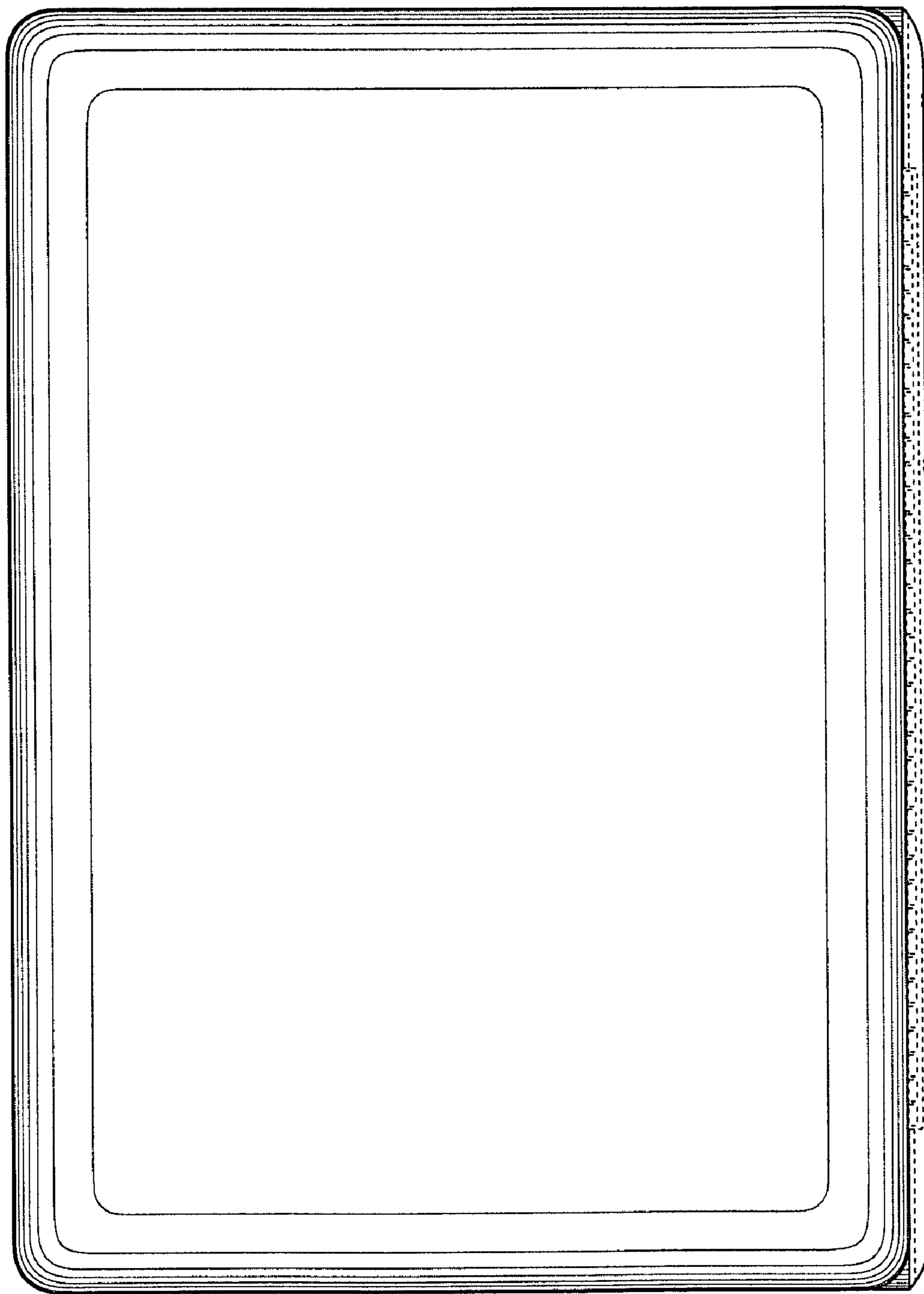


Fig. 28

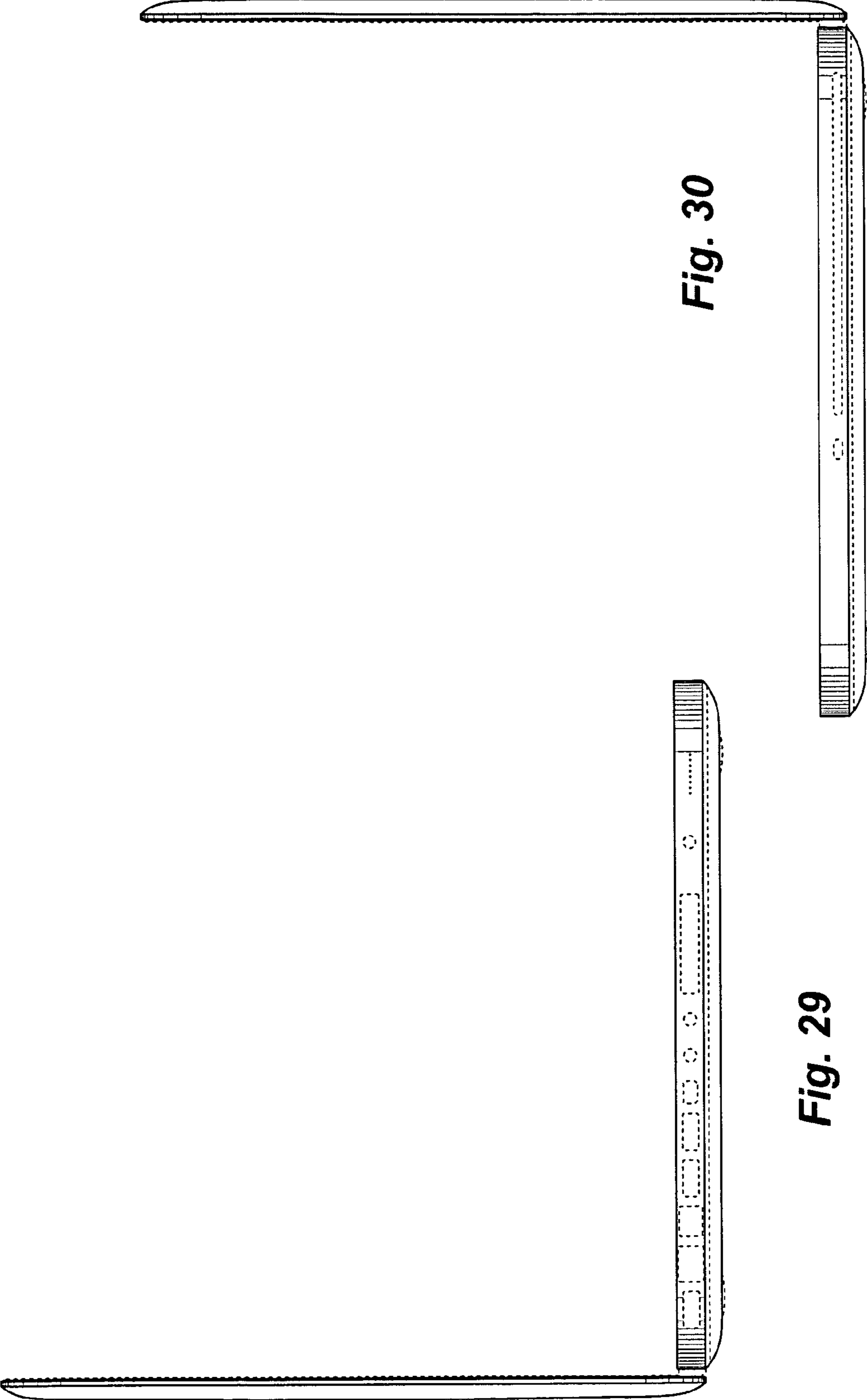


Fig. 30

Fig. 29

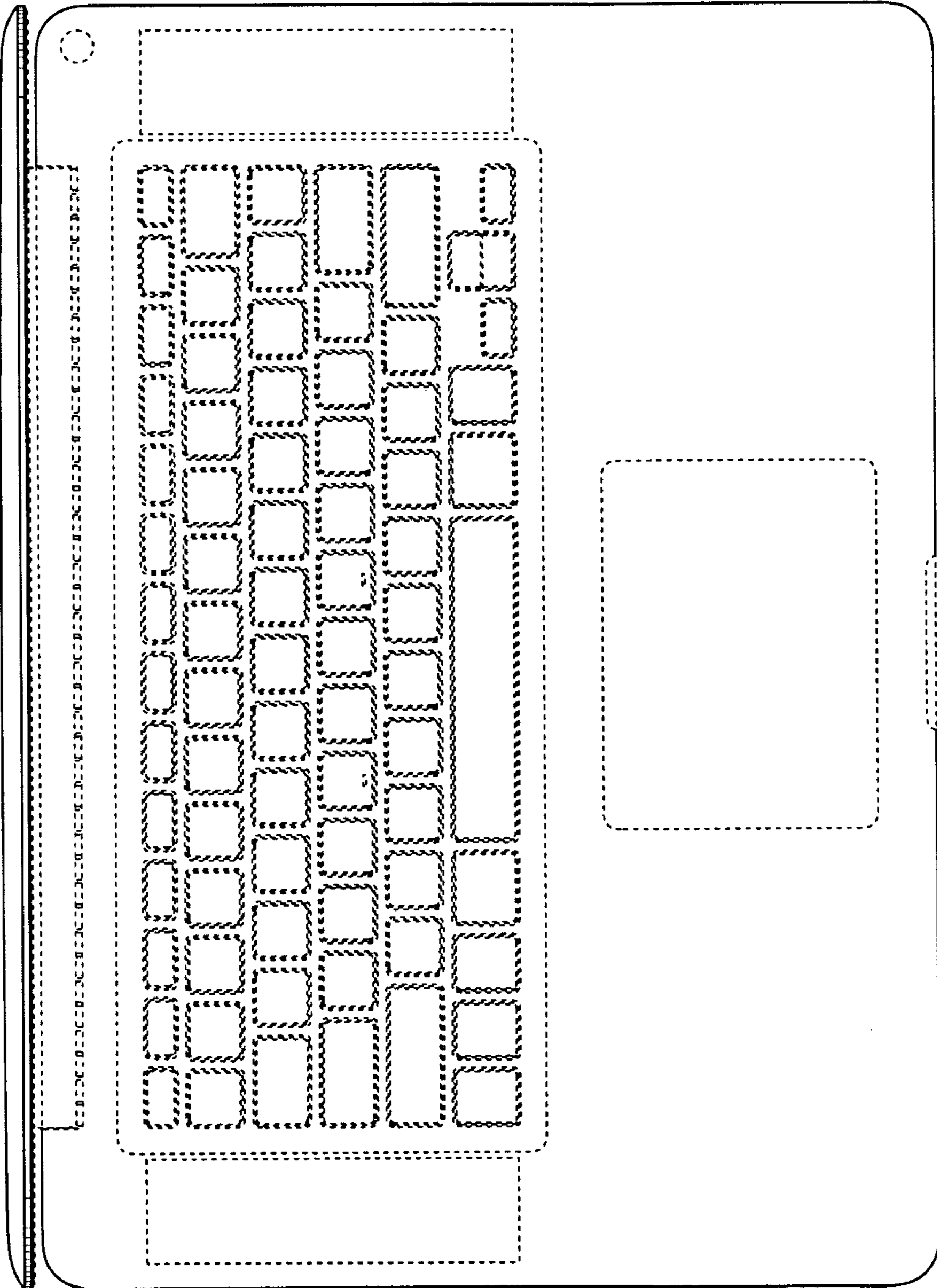


Fig. 31

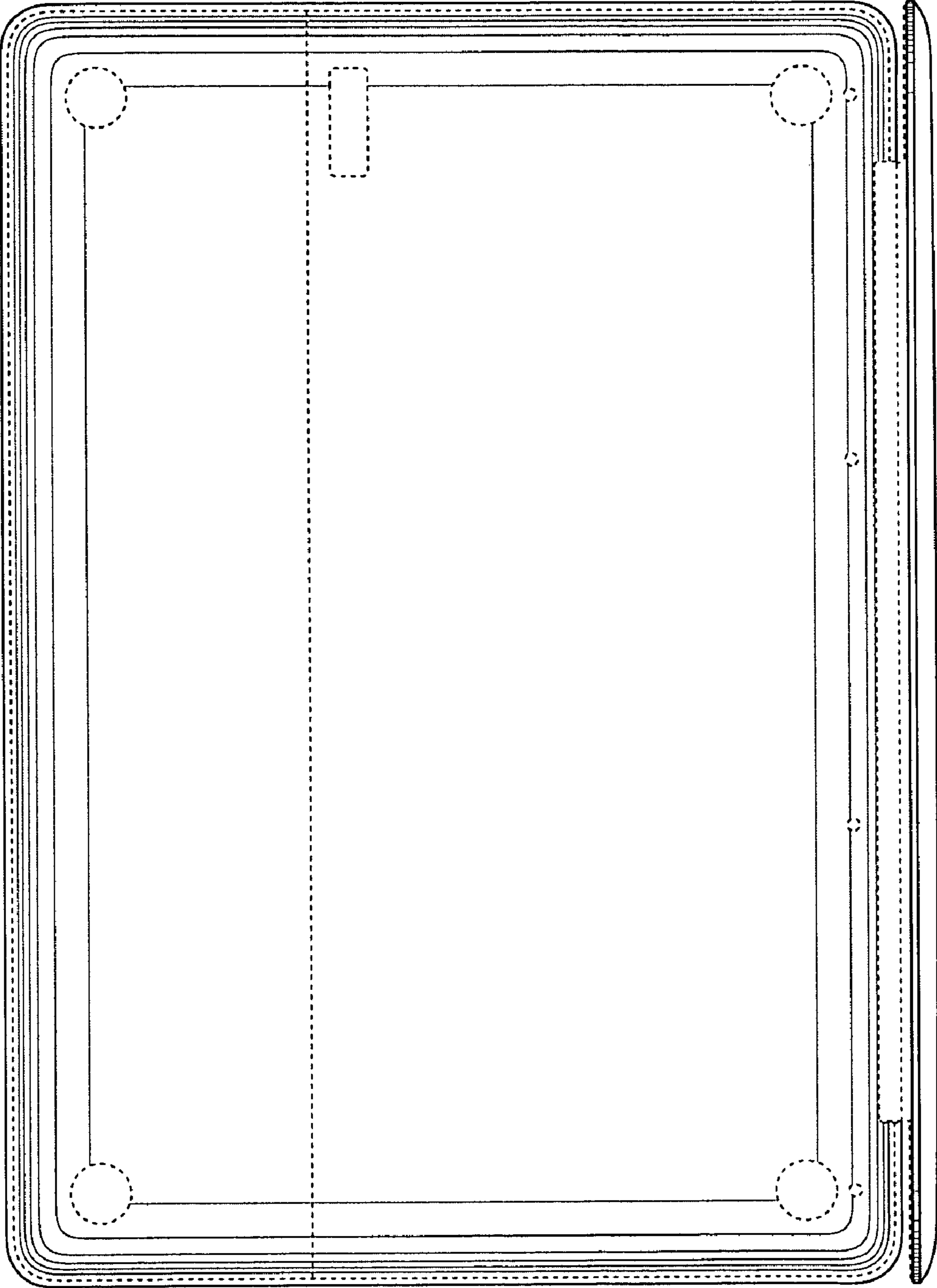


Fig. 32

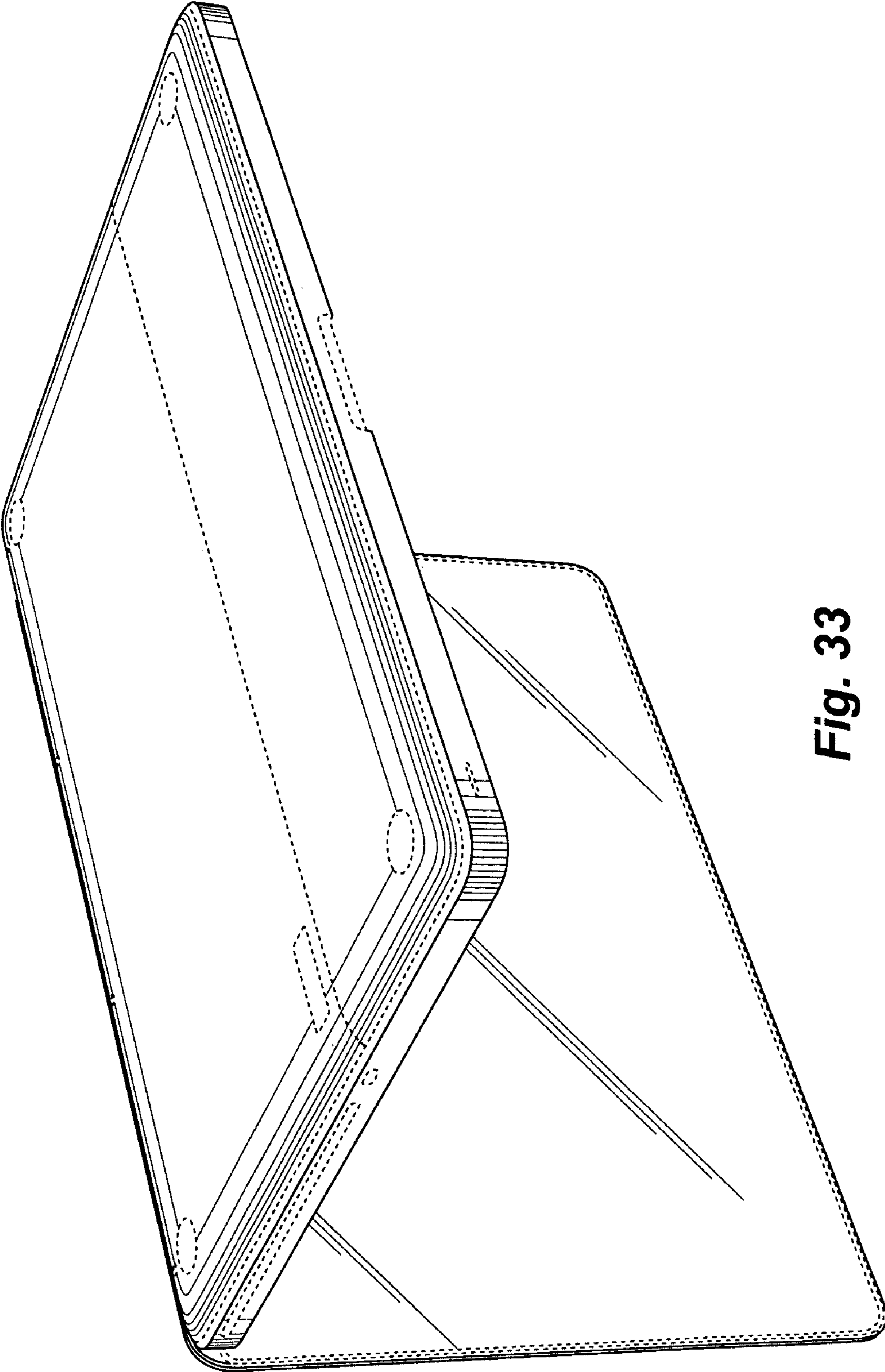


Fig. 33

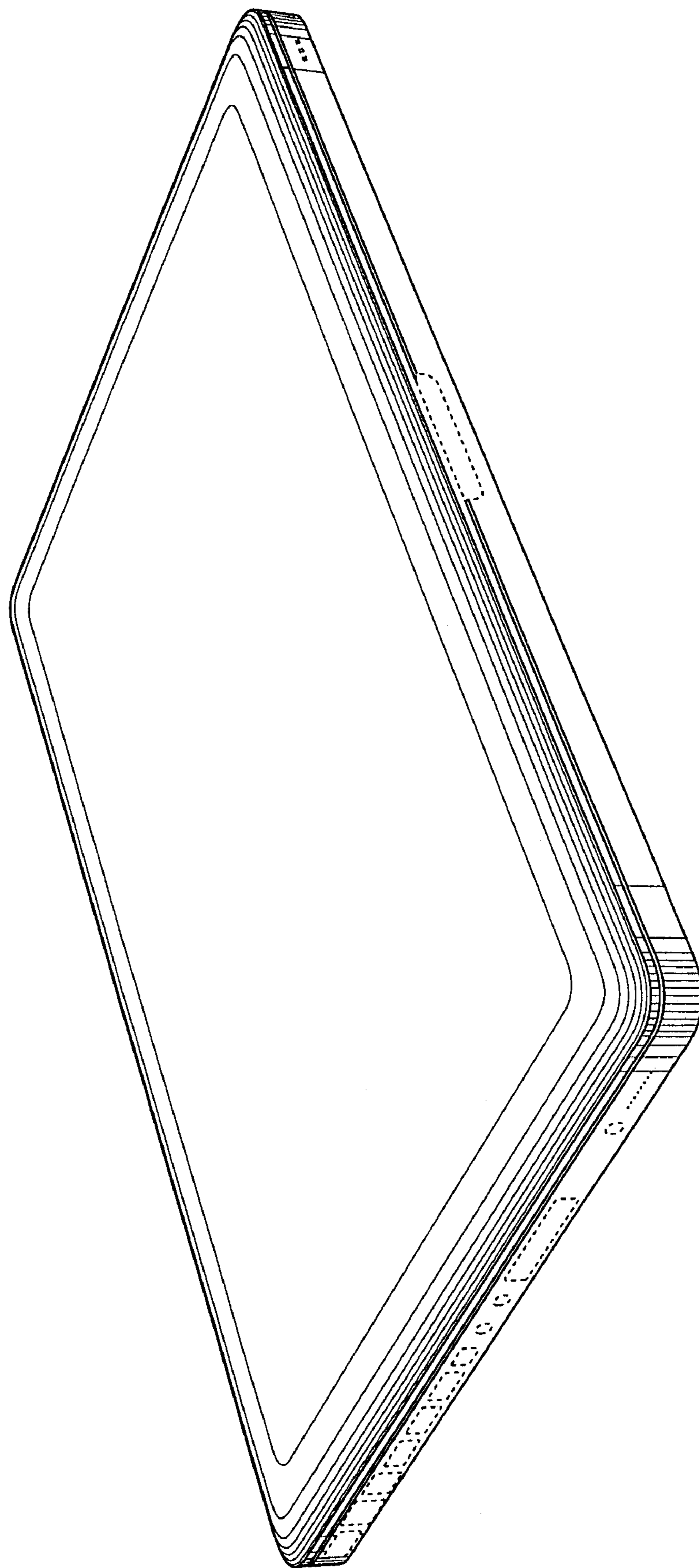


Fig. 34

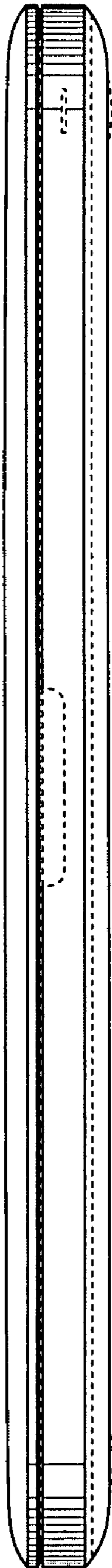


Fig. 35

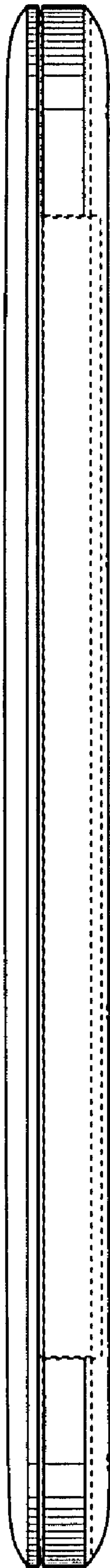


Fig. 36



Fig. 37



Fig. 38

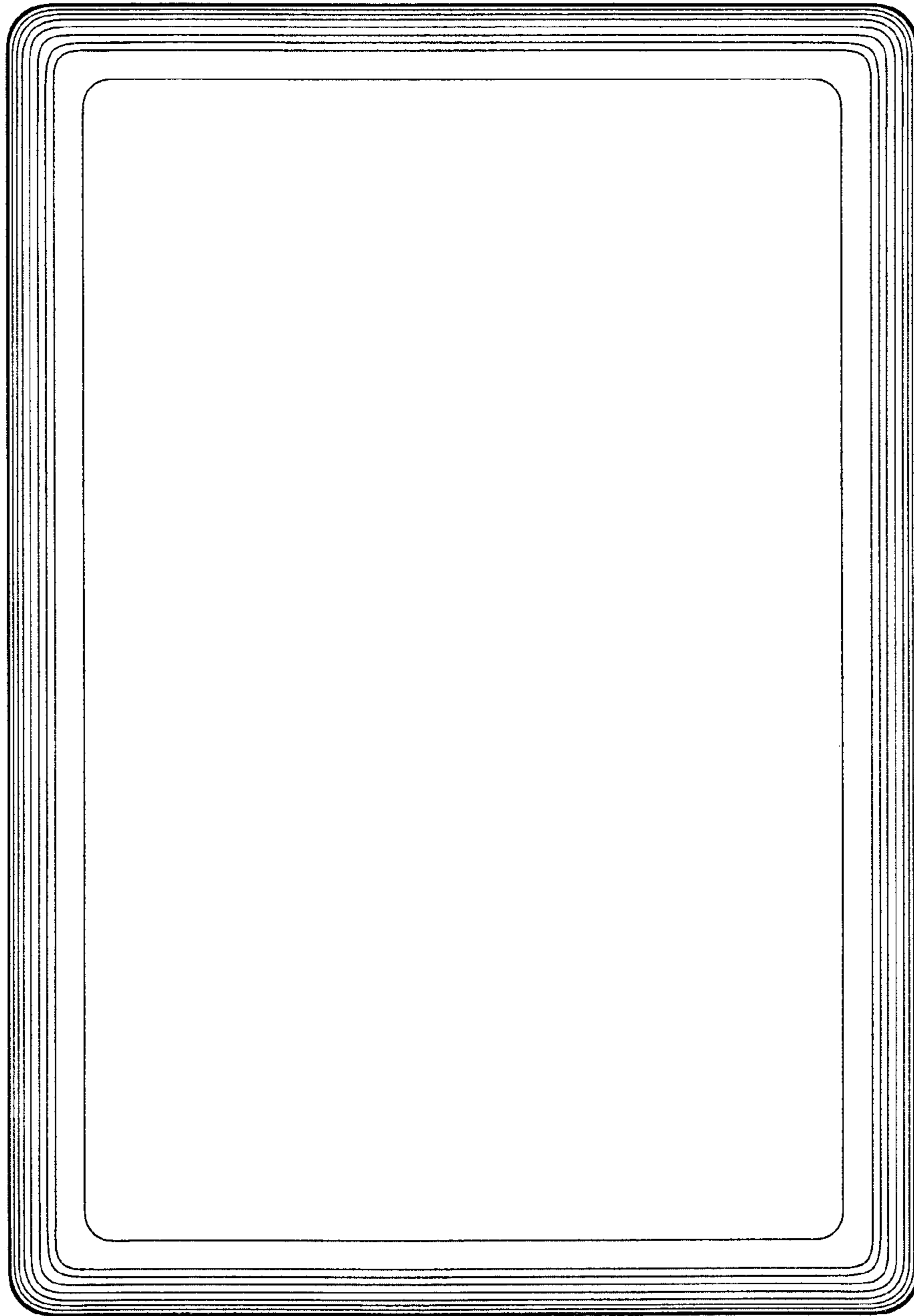


Fig. 39

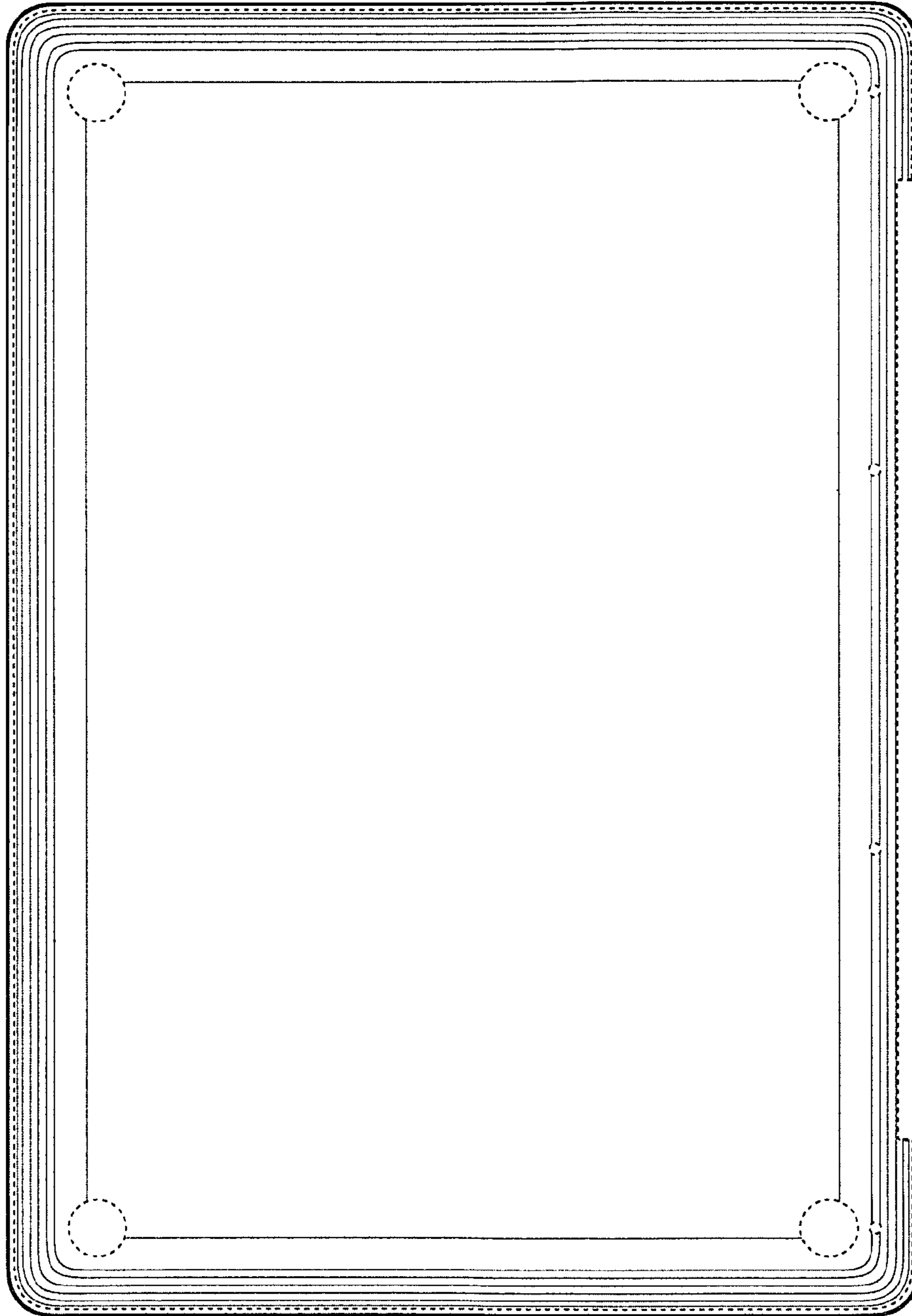


Fig. 40

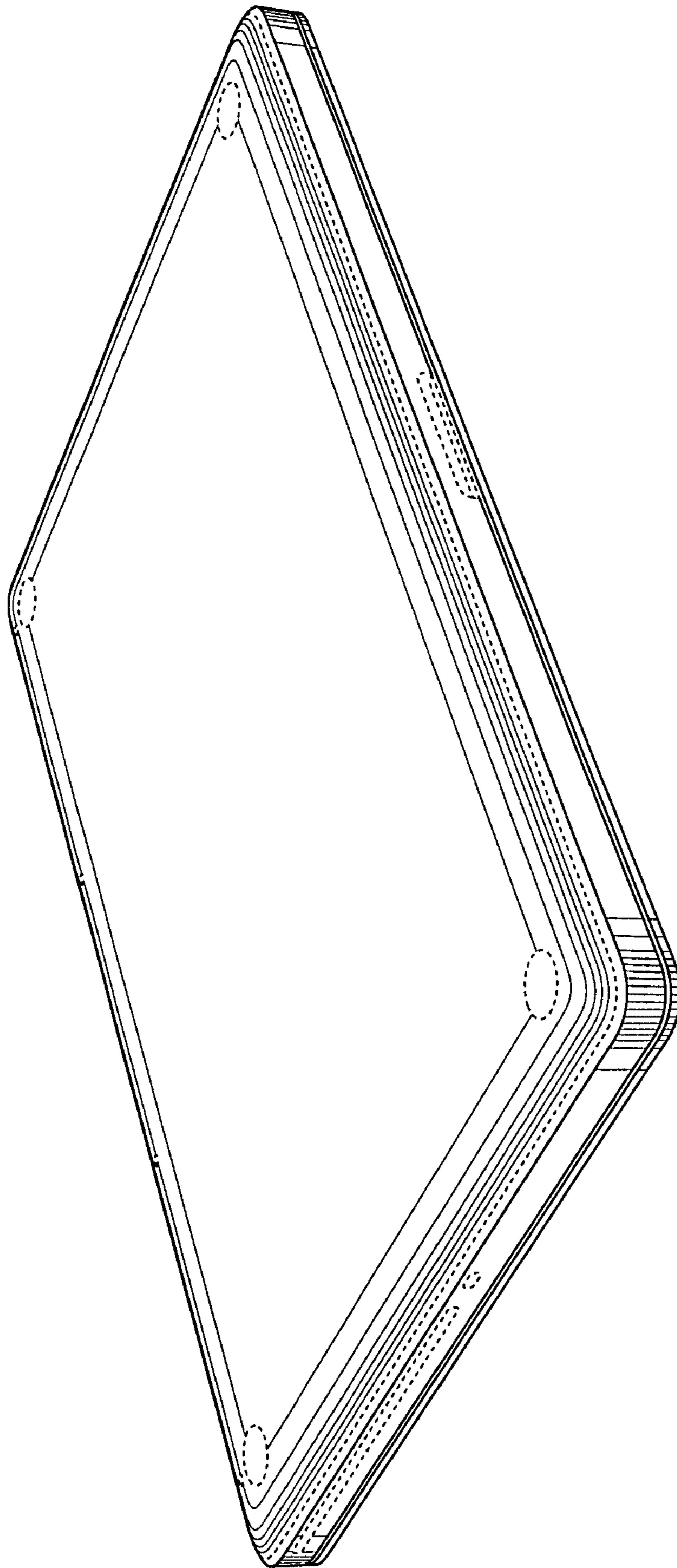


Fig. 41

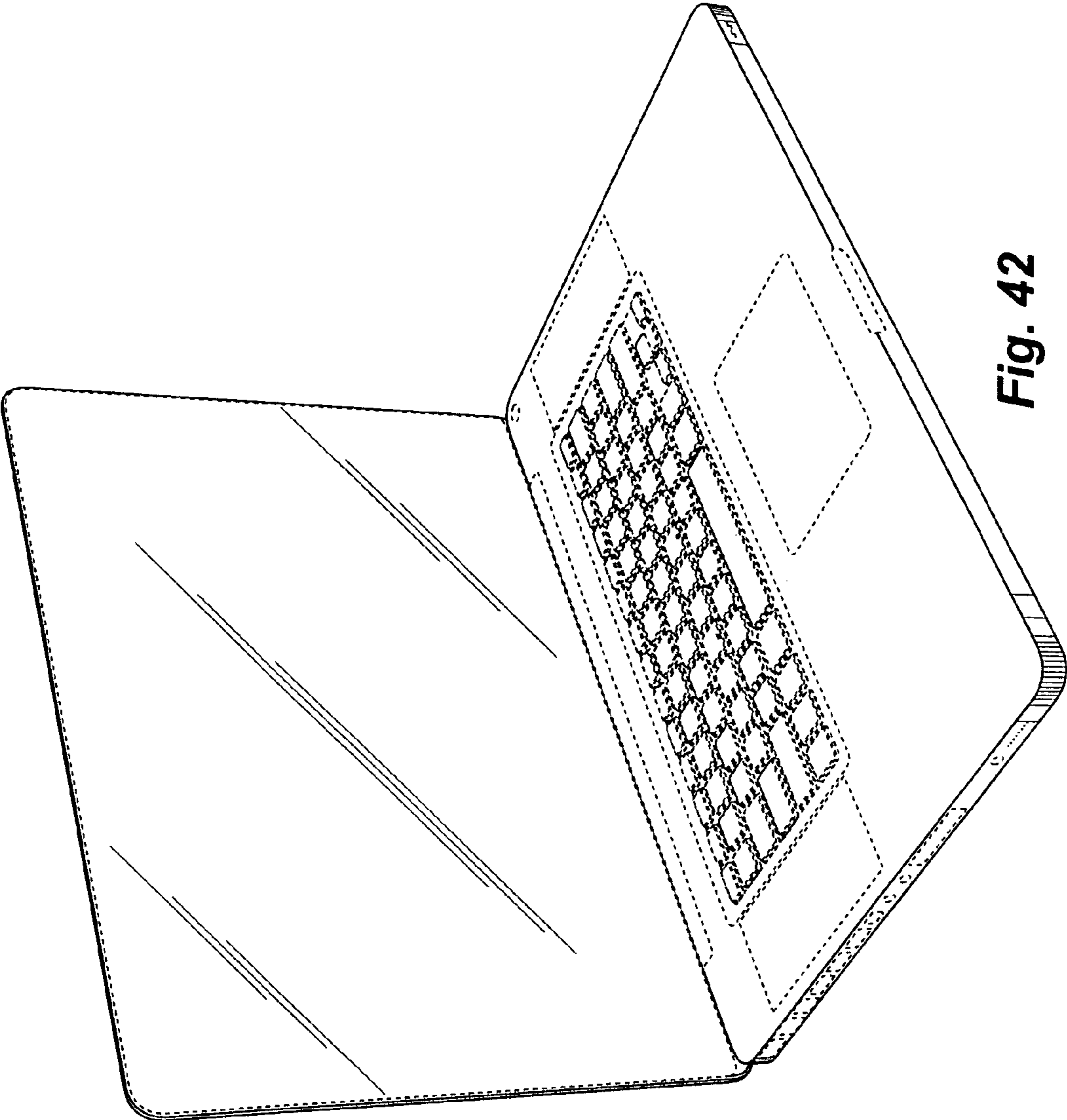


Fig. 42

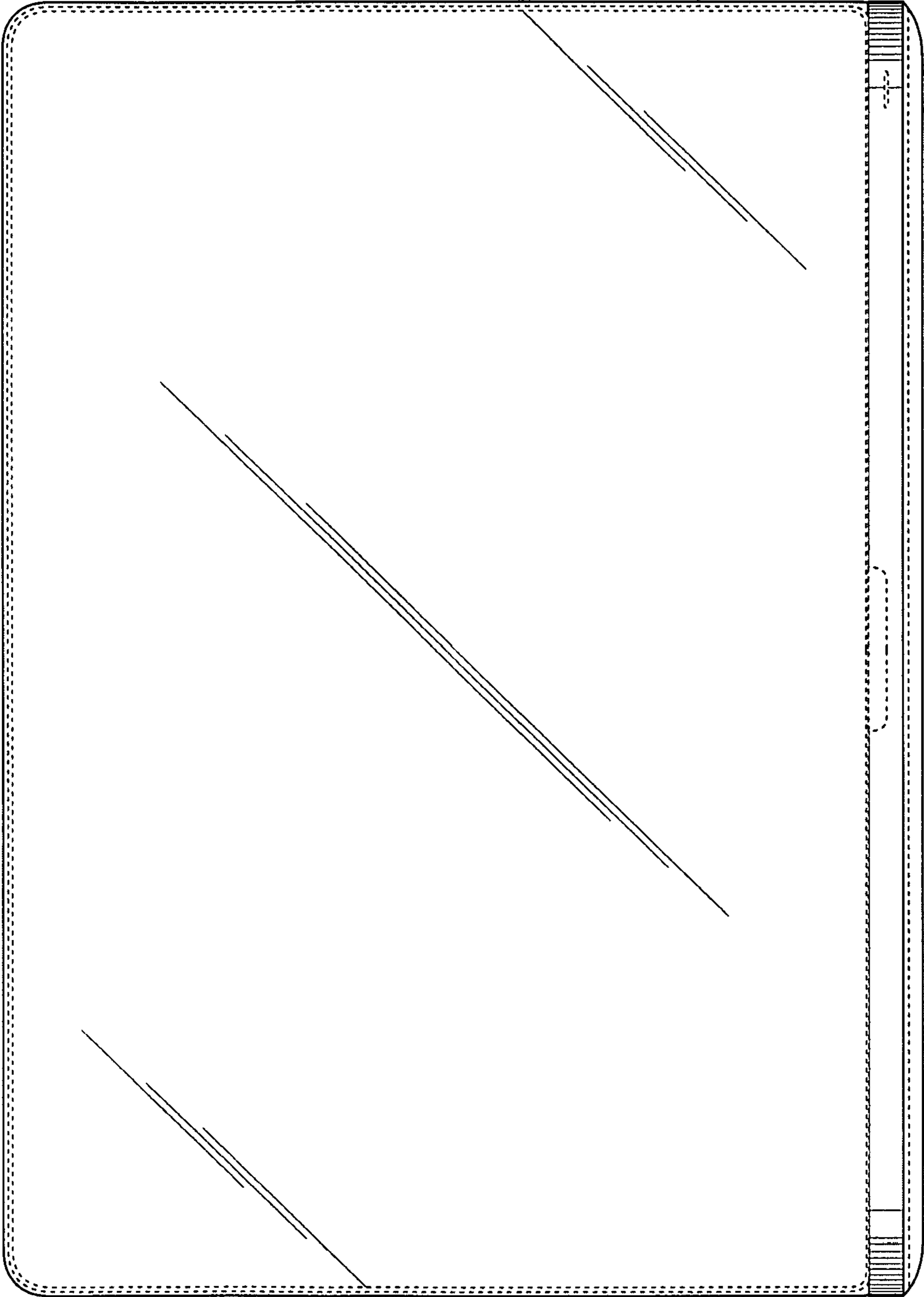


Fig. 43

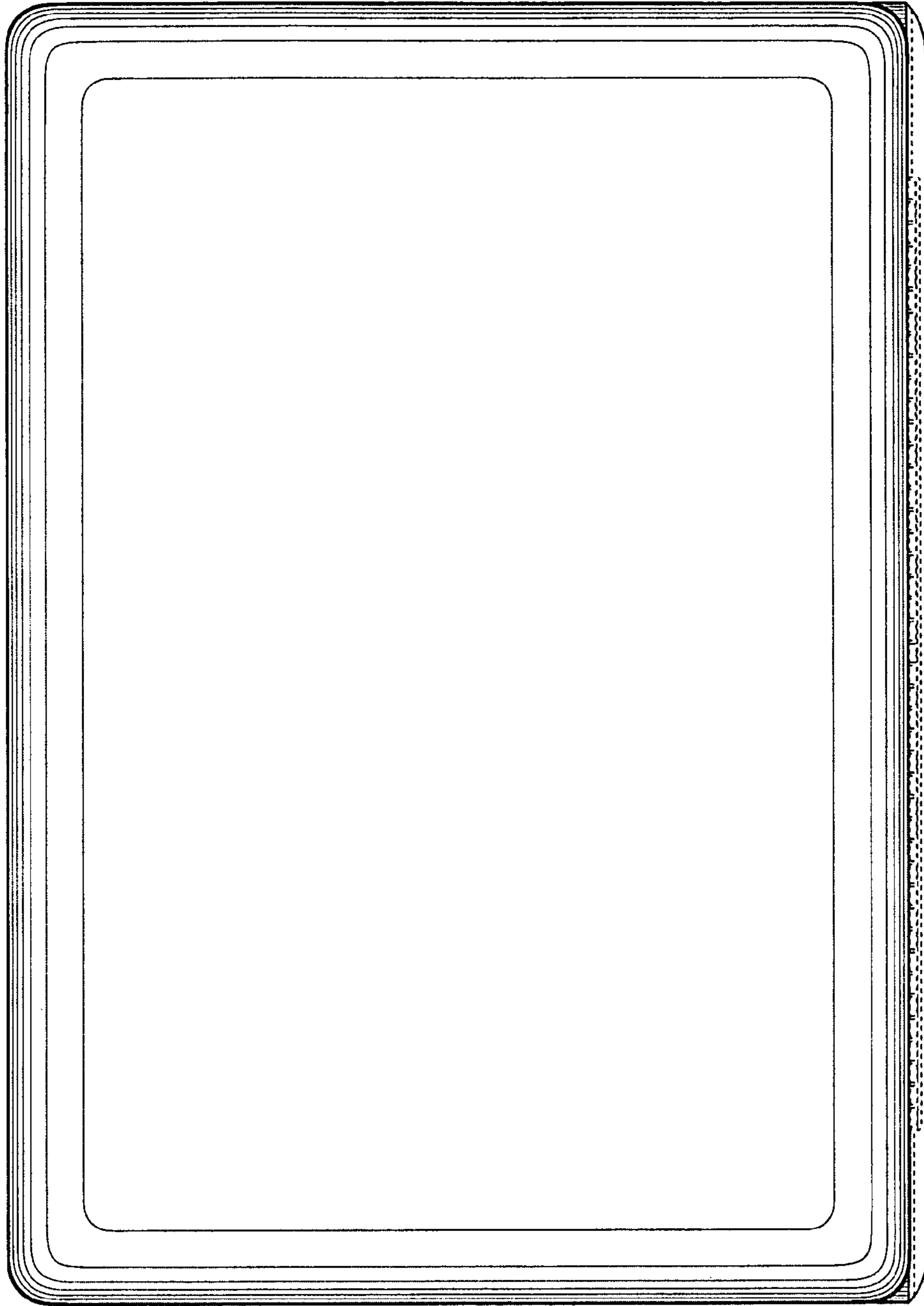


Fig. 44

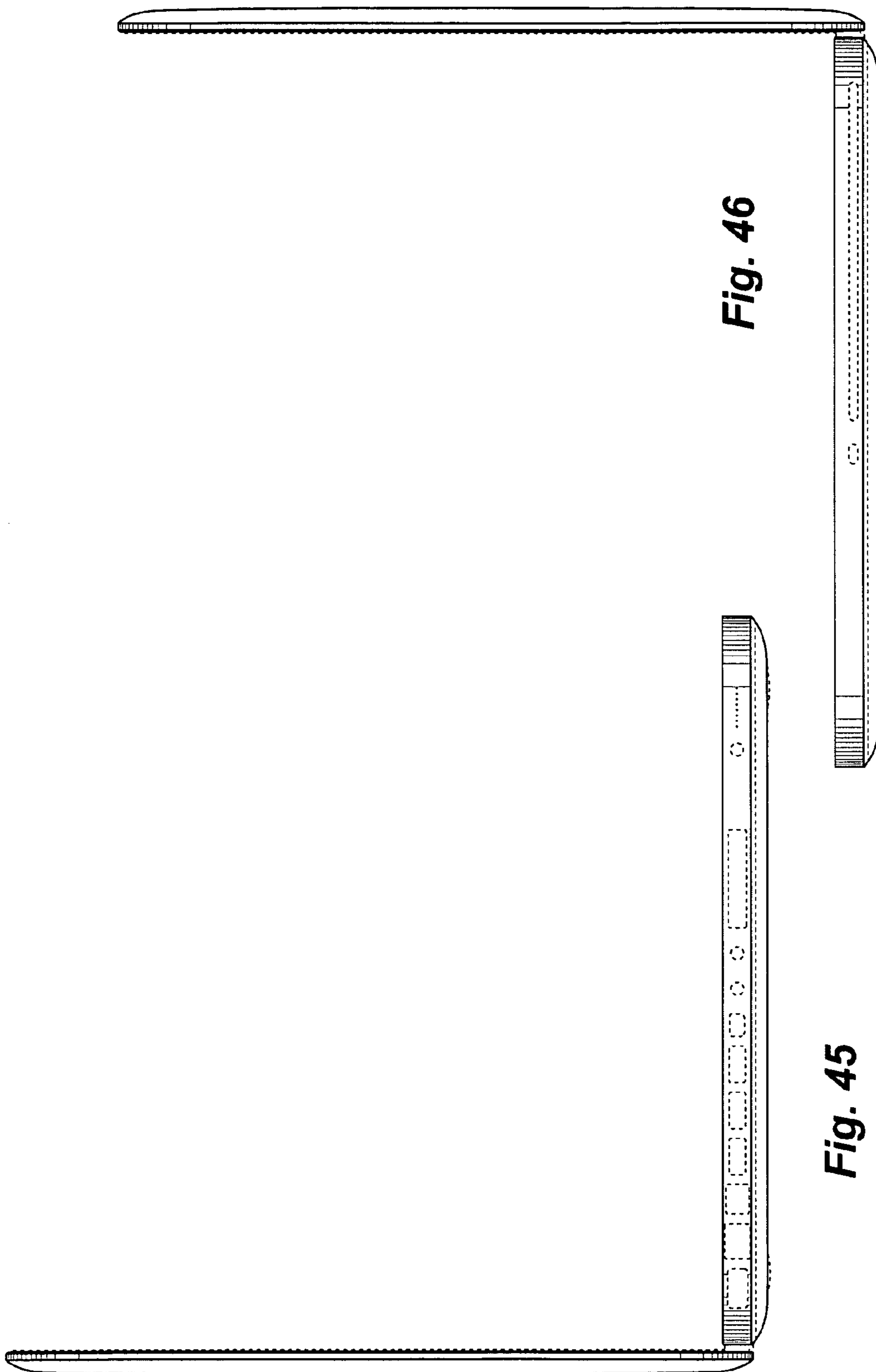


Fig. 46

Fig. 45

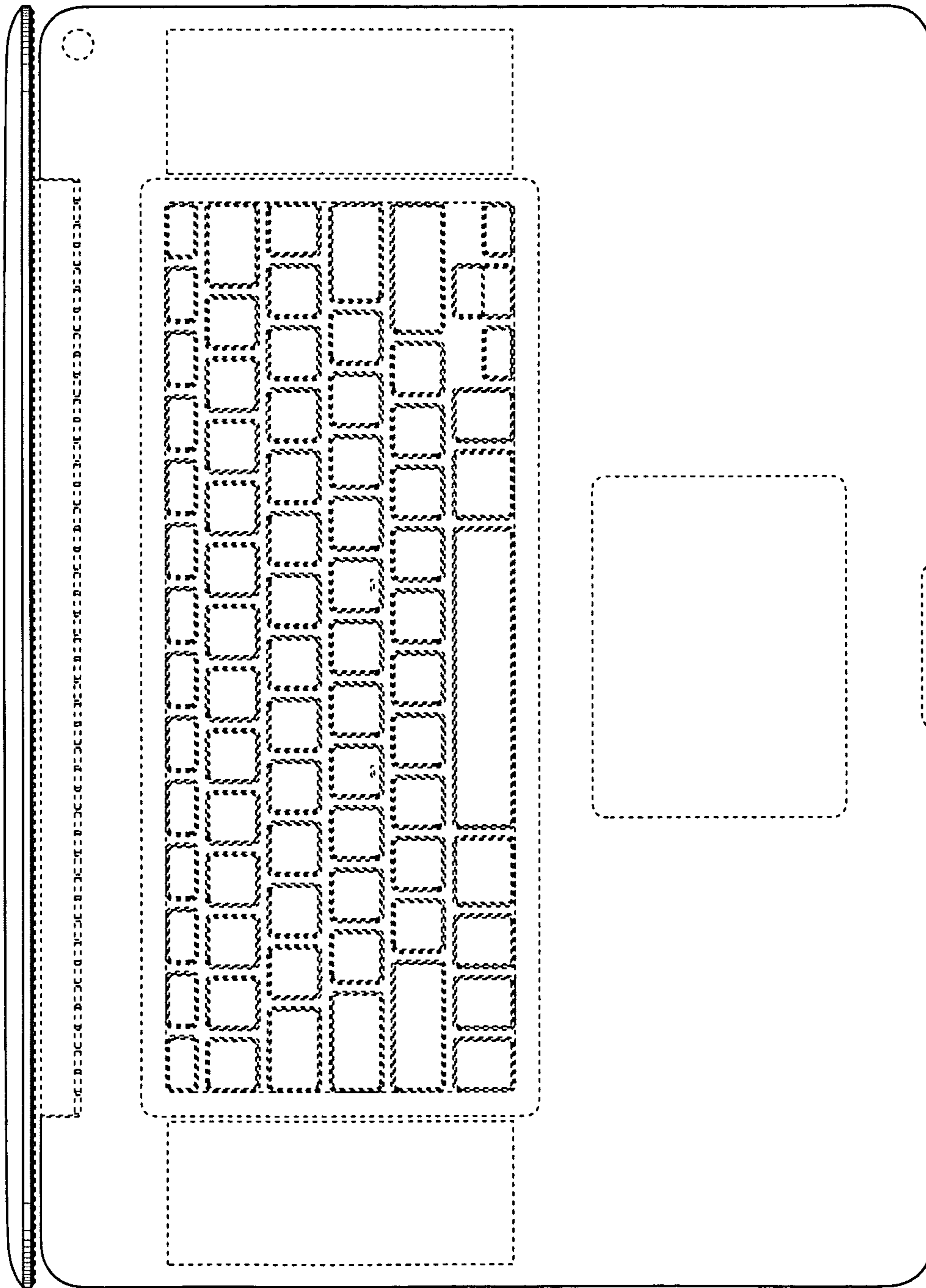


Fig. 47

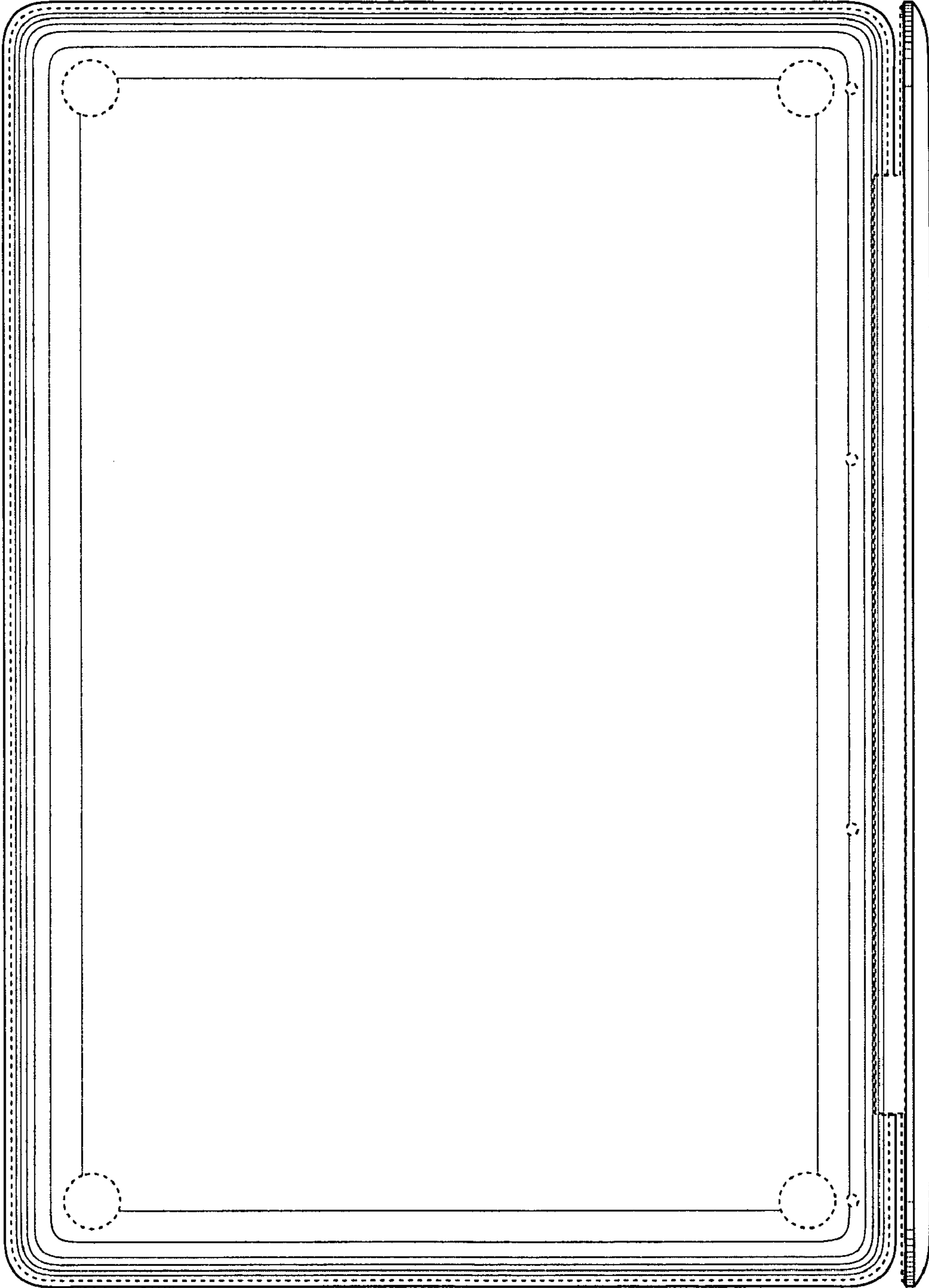


Fig. 48

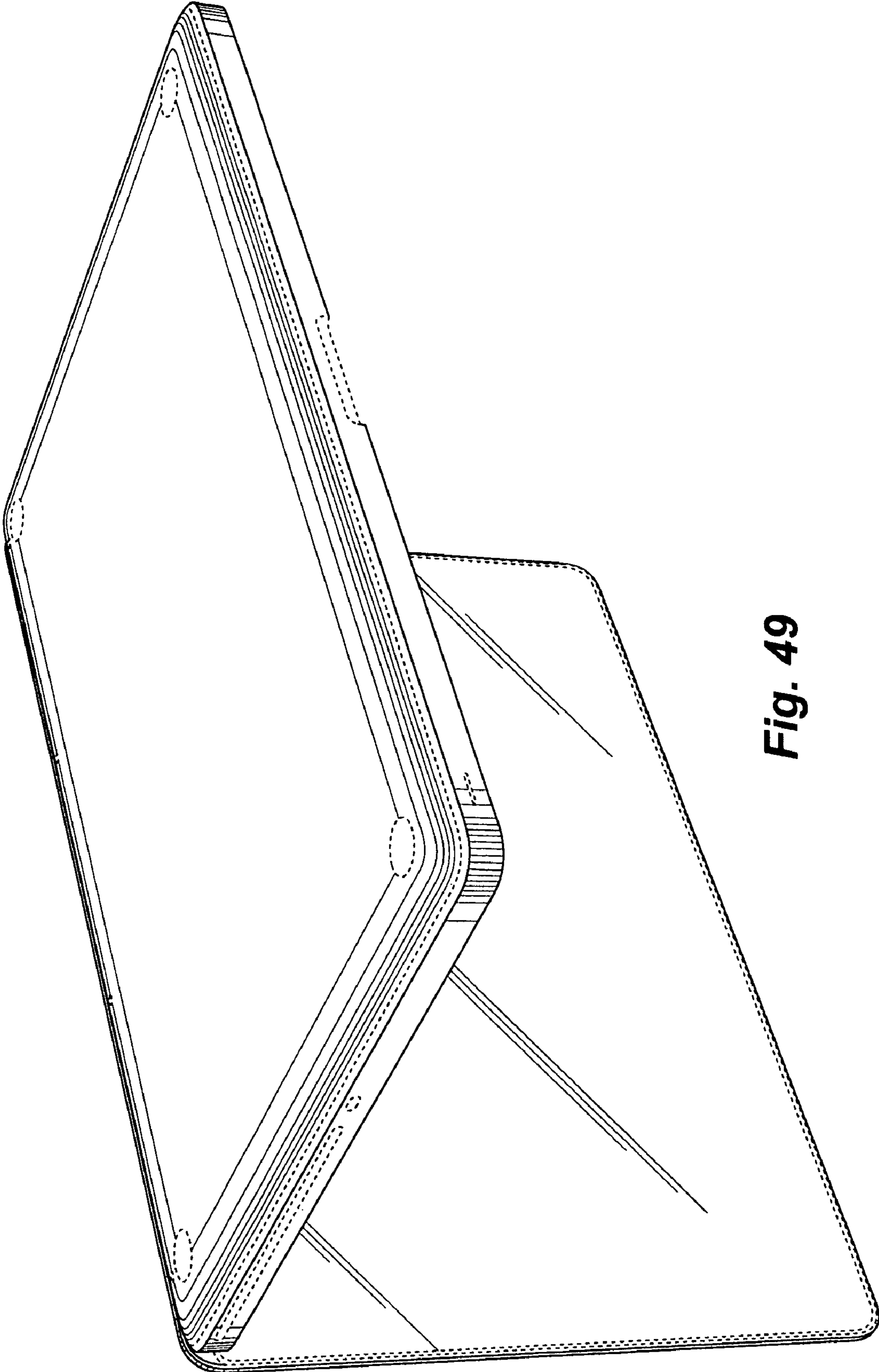


Fig. 49

UNITED STATES PATENT AND TRADEMARK OFFICE
CERTIFICATE OF CORRECTION

PATENT NO. : D604,293 S
APPLICATION NO. : 29/326540
DATED : November 17, 2009
INVENTOR(S) : Bartley K. Andre et al.

Page 1 of 42

It is certified that error appears in the above-identified patent and that said Letters Patent is hereby corrected as shown below:

Delete the title page and substitute therefore with the attached title page consisting of the corrected illustrative figures 1 and 10.

Delete Drawing Sheets 1-40 and substitute therefore with the attached Drawing Sheets 1-40.

Signed and Sealed this
Fourth Day of February, 2014



Michelle K. Lee
Deputy Director of the United States Patent and Trademark Office

(12) **United States Design Patent**
Andre et al.

(10) **Patent No.:** **US D604,293 S**
(45) **Date of Patent:** **** Nov. 17, 2009**

(54) **PORTABLE COMPUTER**

(75) Inventors: **Bartley K. Andre**, Menlo Park, CA (US); **Daniel J. Coster**, San Francisco, CA (US); **Daniele De Iuliis**, San Francisco, CA (US); **Evans Hankey**, San Francisco, CA (US); **Richard P. Howarth**, San Francisco, CA (US); **Jonathan P. Ive**, San Francisco, CA (US); **Steve Jobs**, Palo Alto, CA (US); **Duncan Robert Kerr**, San Francisco, CA (US); **Shin Nishibori**, Portola Valley, CA (US); **Matthew Dean Rohrbach**, San Francisco, CA (US); **Peter Russell-Clarke**, San Francisco, CA (US); **Douglas B. Satzger**, Menlo Park, CA (US); **Christopher J. Stringer**, Woodside, CA (US); **Eugene Antony Whang**, San Francisco, CA (US); **Rico Zorkendorfer**, San Francisco, CA (US)

(73) Assignee: **Apple, Inc.**, Cupertino, CA (US)
(**) Term: **14 Years**
(21) Appl. No.: **29/326,540**
(22) Filed: **Oct. 20, 2008**

Related U.S. Application Data

(63) Continuation of application No. 29/326,082, filed on Oct. 10, 2008.
(51) **LOC (9) Cl.** **14-02**
(52) **U.S. Cl.** **D14/315**
(58) **Field of Classification Search** D14/315-327; D18/1, 2, 7, 11; 235/145 A, 145 R; 341/22, 341/23; 345/156, 157, 168, 169, 173; 361/680-686, 361/679.27; 348/373; 715/783
See application file for complete search history.

(56) **References Cited**

U.S. PATENT DOCUMENTS

6,067,224 A * 5/2000 Nobuchi 361/679.27
D431,821 S * 10/2000 Mizuno D14/318
D463,797 S 10/2002 Andre et al.
D491,177 S 6/2004 Andre et al.

D493,785 S 8/2004 Andre et al.
D504,889 S 5/2005 Andre et al.
D517,063 S * 3/2006 Nakajima et al. D14/318
D523,429 S * 6/2006 Lin D14/318
D524,306 S * 7/2006 Yun et al. D14/315
D526,999 S * 8/2006 Tago D14/327
D533,550 S * 12/2006 Yamada D14/318
D558,752 S 1/2008 Andre et al.
D558,753 S 1/2008 Andre et al.
D571,364 S 6/2008 Andre et al.
D572,246 S * 7/2008 Andre et al. D14/315
D572,247 S * 7/2008 Andre et al. D14/315
D574,378 S * 8/2008 Andre et al. D14/315
2005/0018396 A1 * 1/2005 Nakajima et al. 361/683
2005/0041378 A1 * 2/2005 Hamada et al. 361/680

OTHER PUBLICATIONS

Photographs of Sony VAIO PCG-4G1L, available at least as early as May 8, 2006.
Apple MacBook Air, available Jan. 15, 2008, http://images.apple.com/macbookair/images/design_gal01_20080115.jpg.
Apple MacBook Air, available Jan. 15, 2008, http://images.apple.com/macbookair/images/design_gal02_20080115.jpg.
Apple MacBook Air, available Jan. 15, 2008, http://images.apple.com/macbookair/images/design_gal03_20080115.jpg.
Apple MacBook Air, available Jan. 15, 2008, http://images.apple.com/macbookair/images/design_gal04_20080115.jpg.
Apple MacBook Air, available Jan. 15, 2008, http://images.apple.com/macbookair/images/design_thinair20080115.jpg.
Apple MacBook Air, available Jan. 15, 2008, http://images.apple.com/macbookair/images/design_displayair20080115.jpg.
Apple MacBook Air, available Jan. 15, 2008, http://images.apple.com/macbookair/images/design_keyboardair20080115.jpg.
Apple MacBook Air, available Jan. 15, 2008, http://images.apple.com/macbookair/images/design_gal08_20080115.jpg.

* cited by examiner

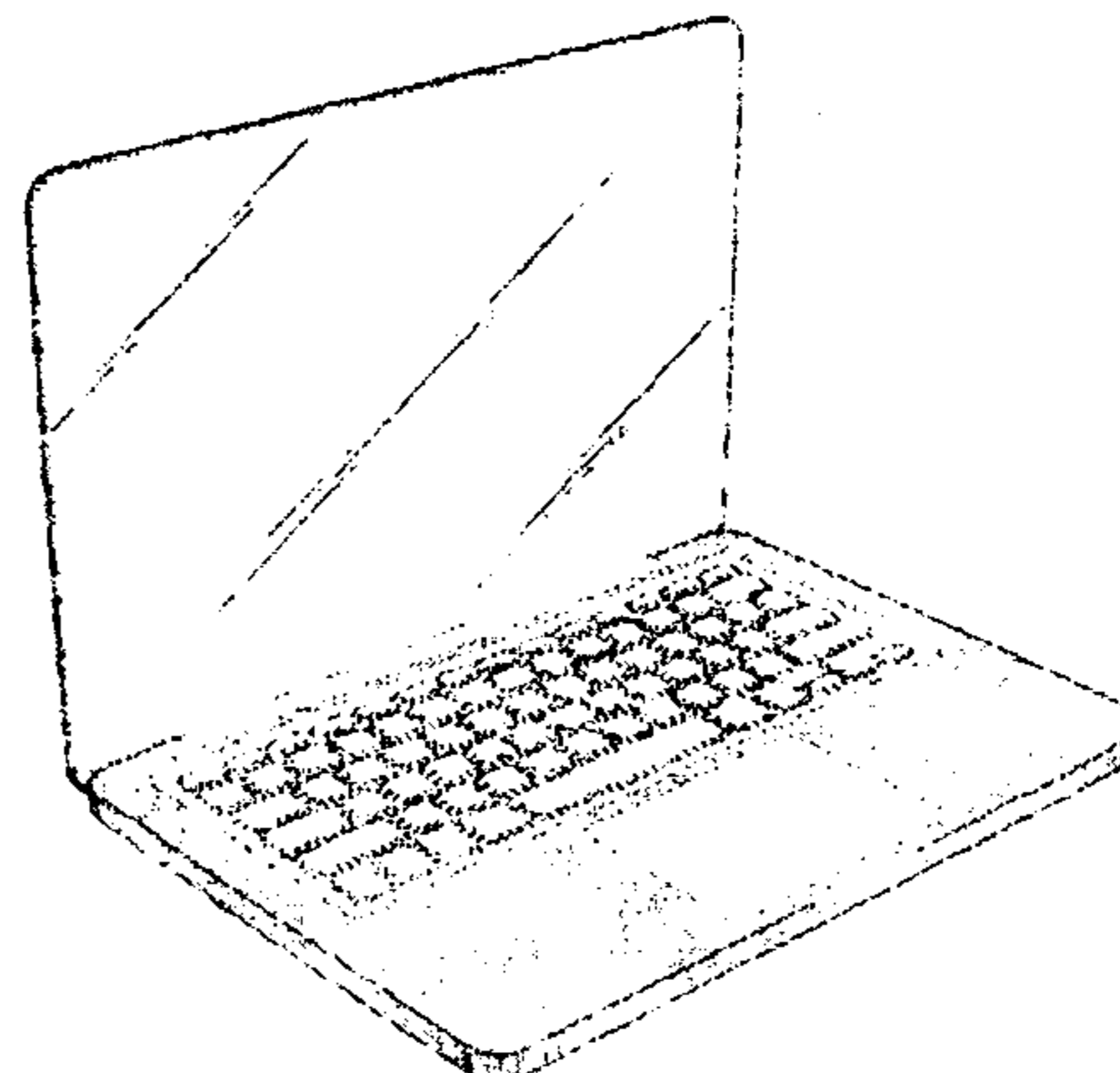
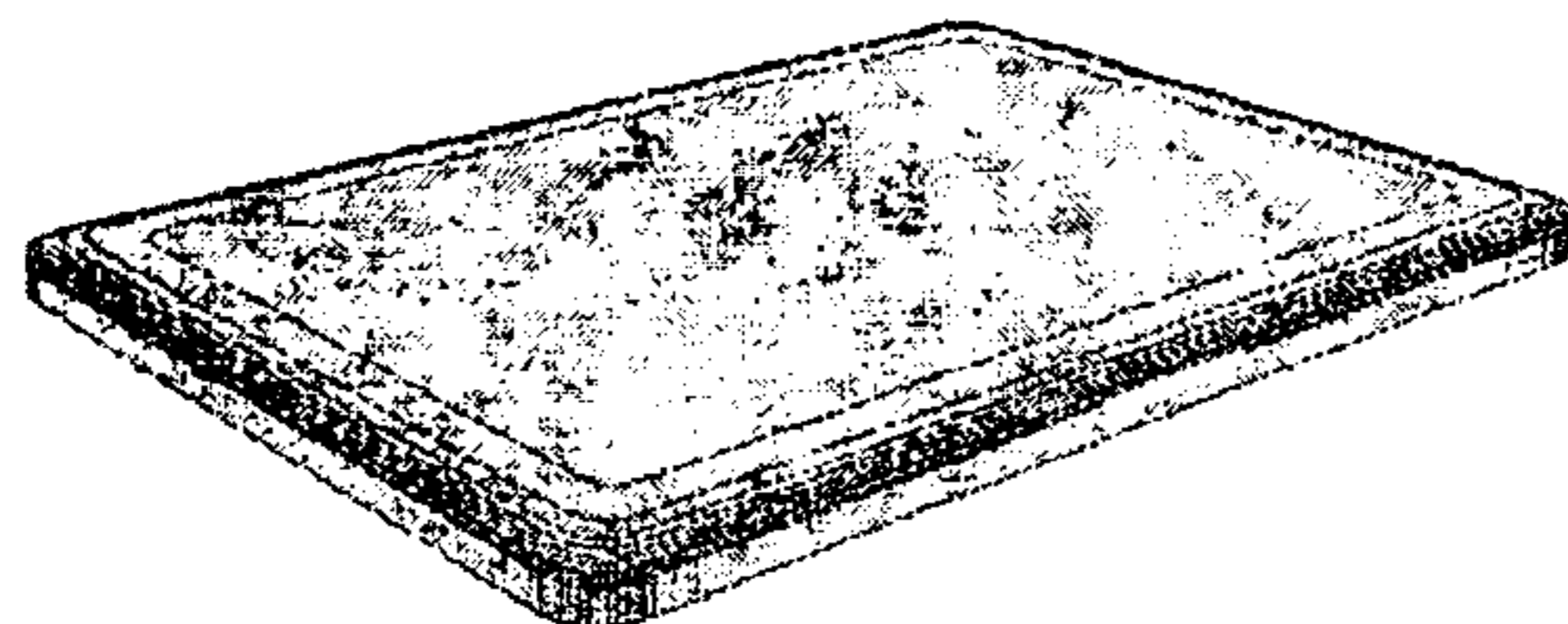
Primary Examiner—Freda S Nunn
(74) *Attorney, Agent, or Firm*—Saidman DesignLaw Group

(57) **CLAIM**

The ornamental design for a portable computer, as shown and described.

DESCRIPTION

FIG. 1 is a front, top perspective view of a first embodiment showing our new design;



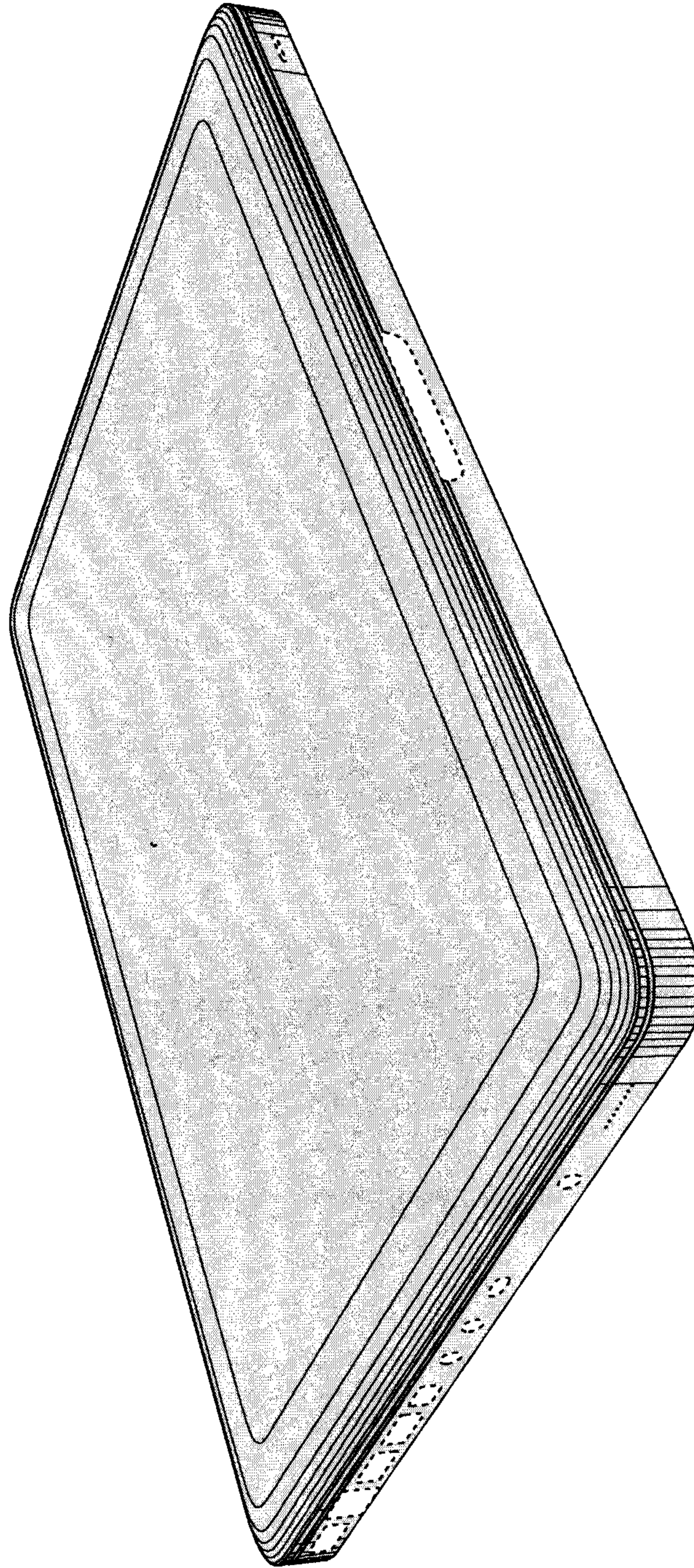


Fig. 1

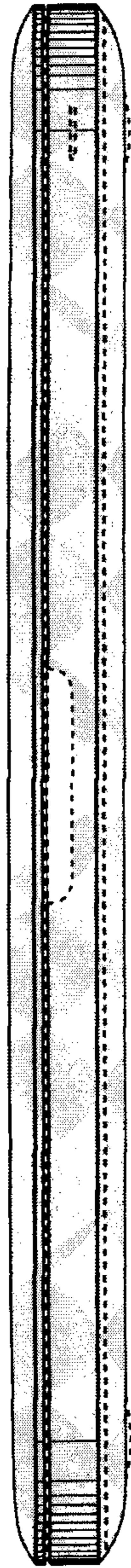


Fig. 2

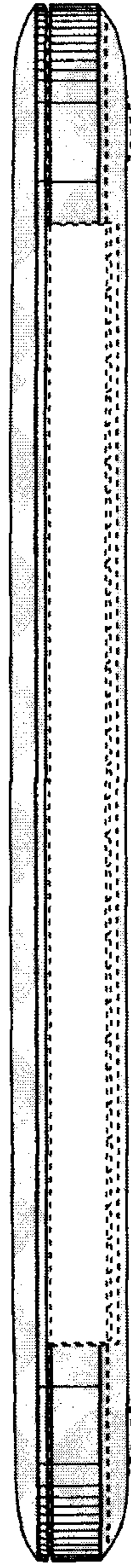


Fig. 3

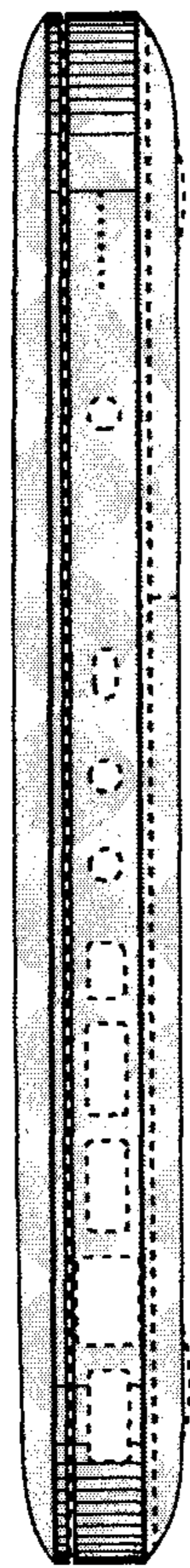


Fig. 4



Fig. 5

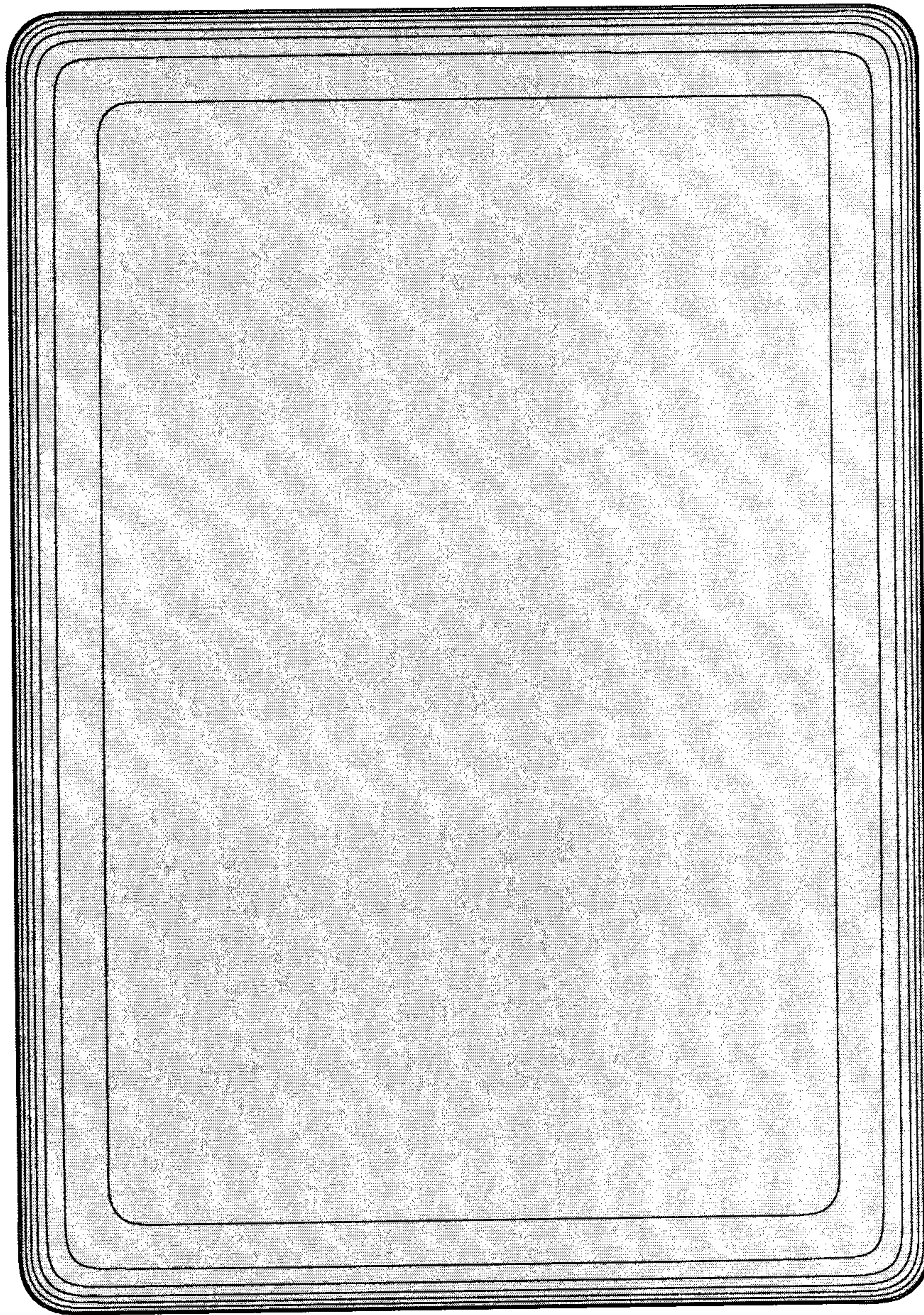


Fig. 6

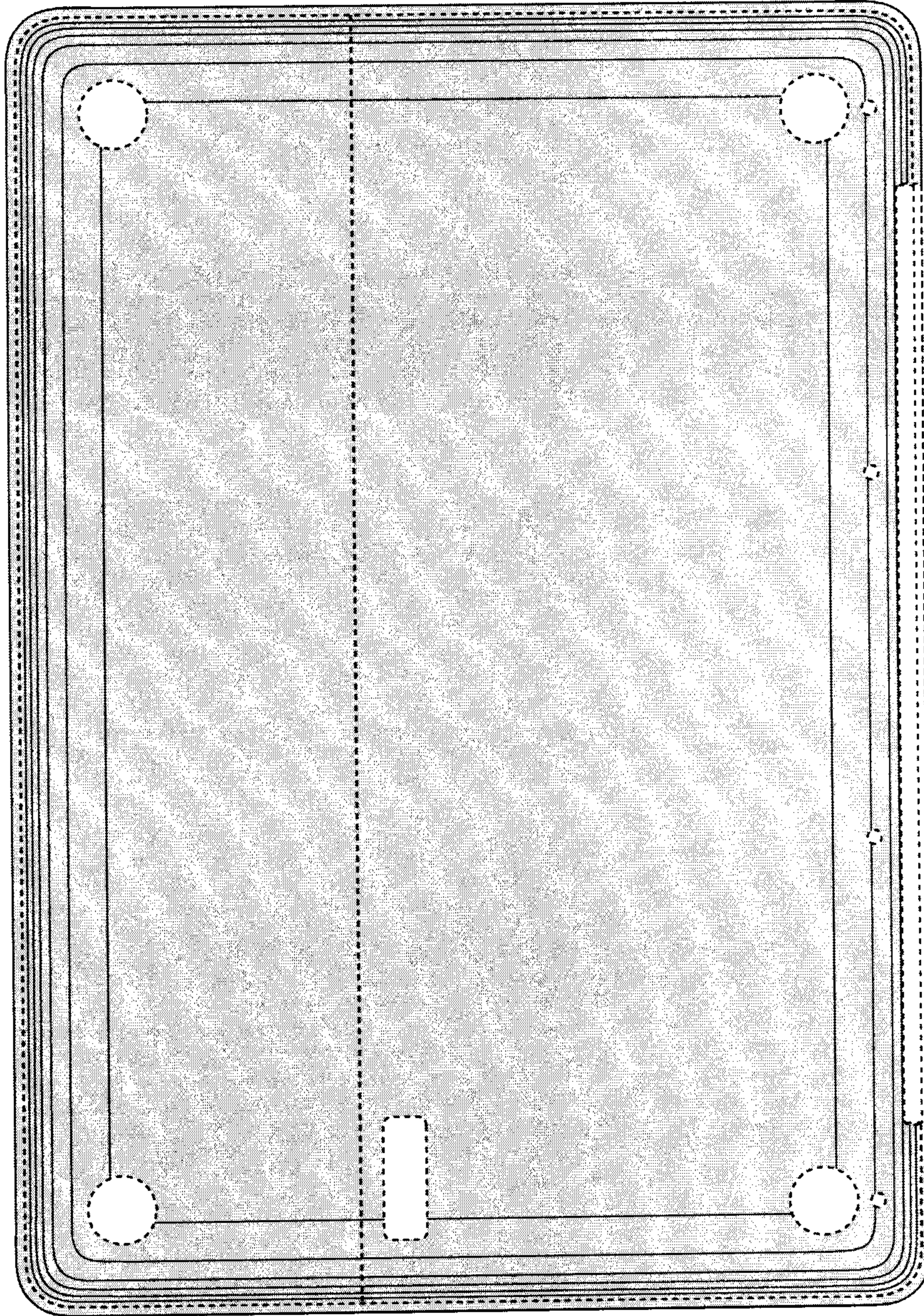


Fig. 7

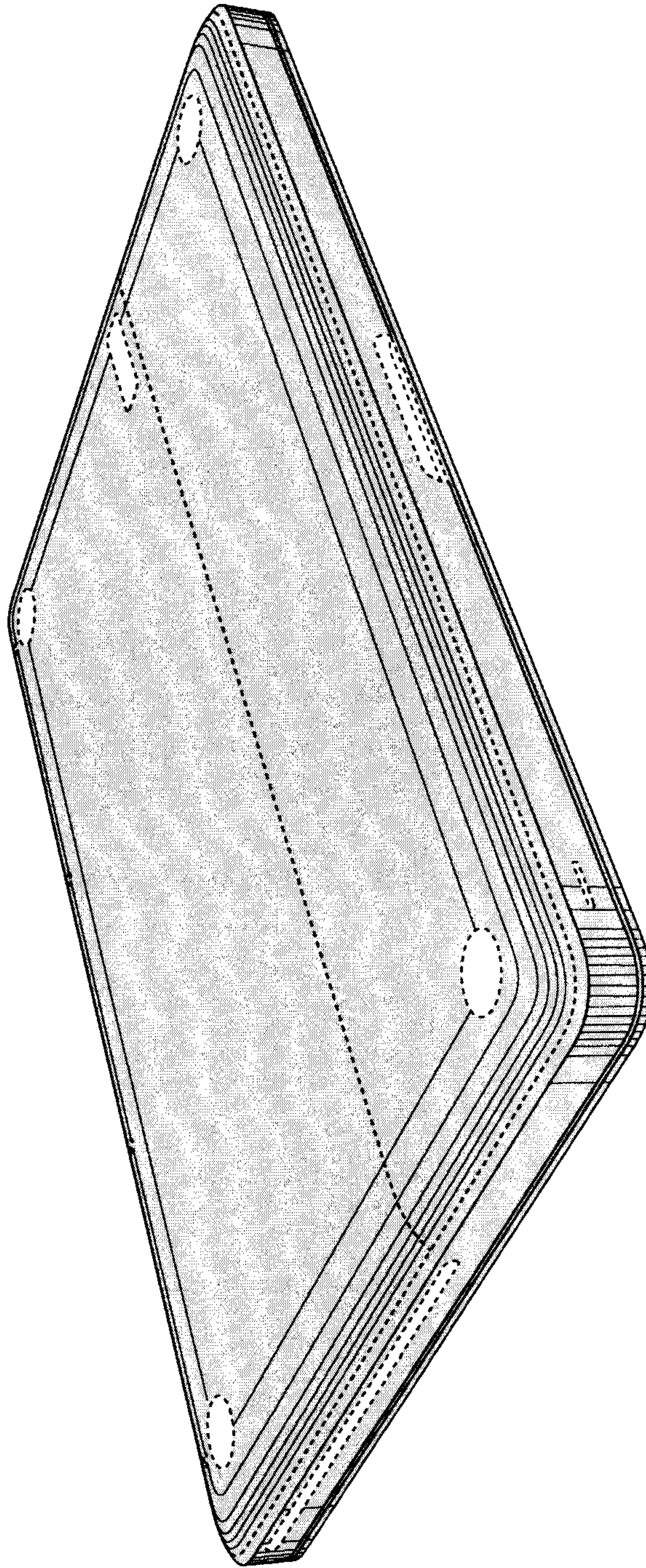


Fig. 8

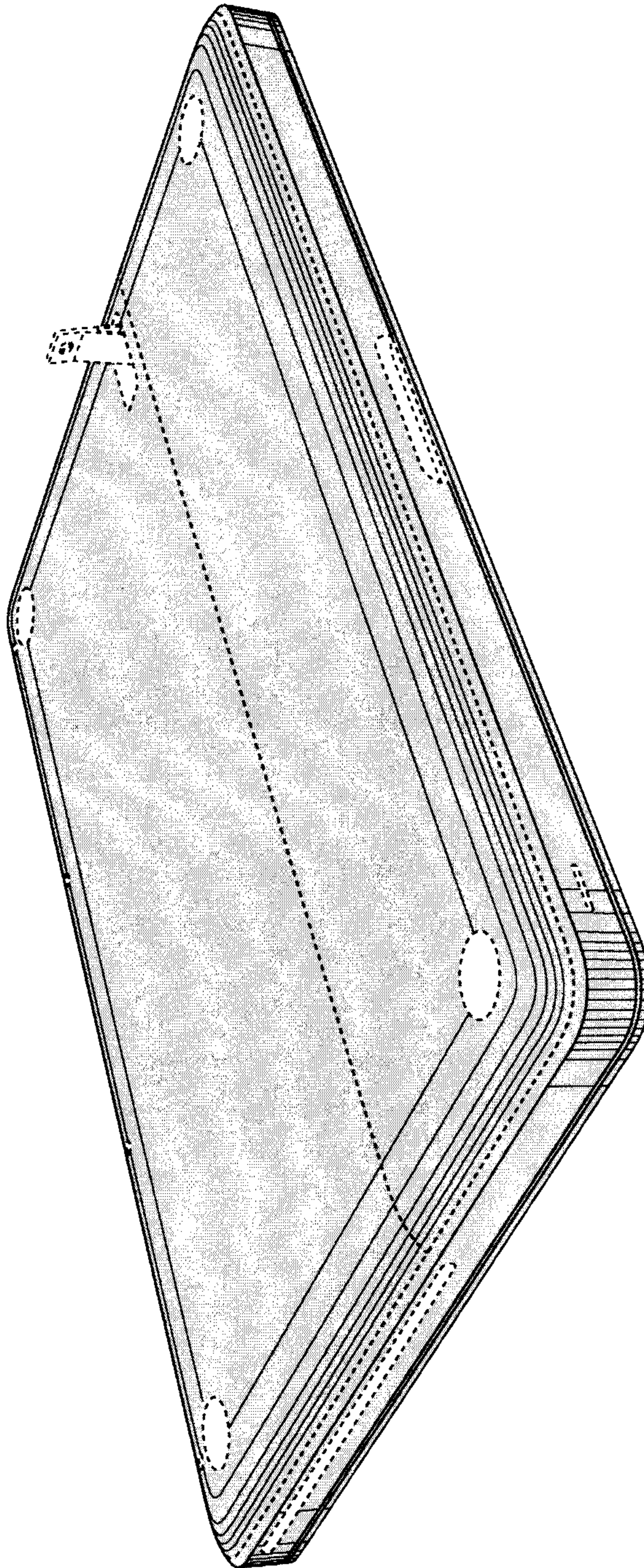
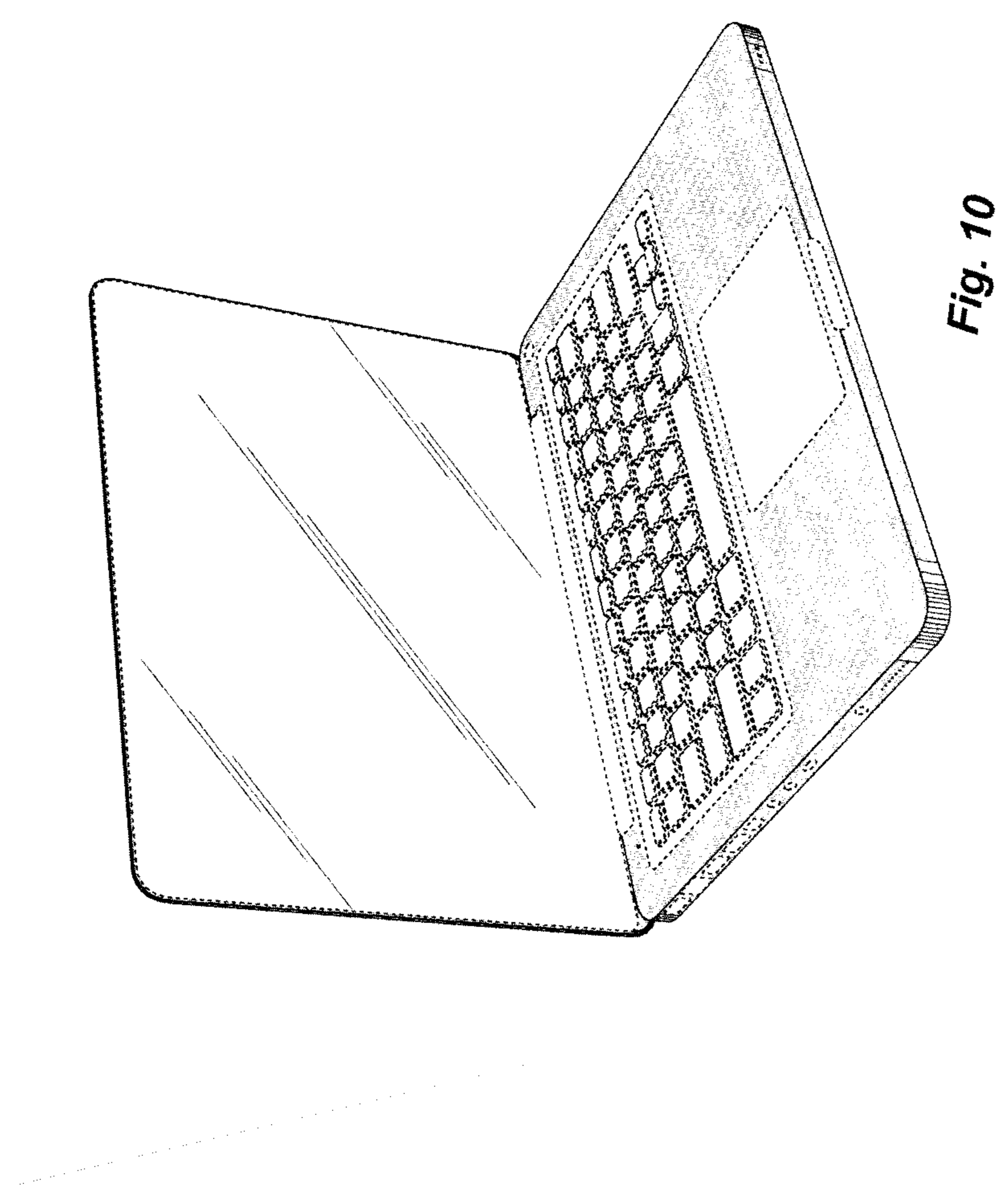


Fig. 9



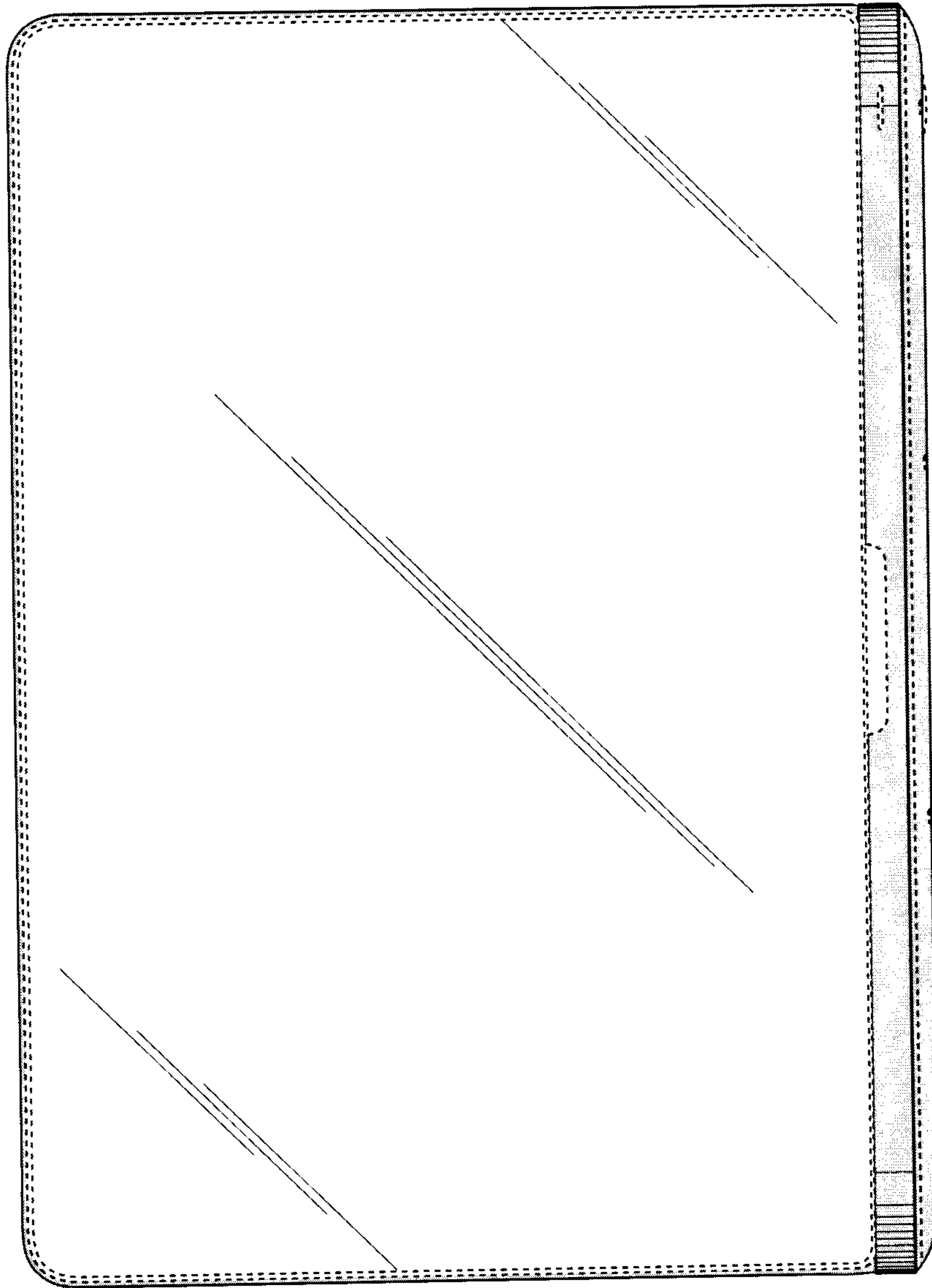


Fig. 11

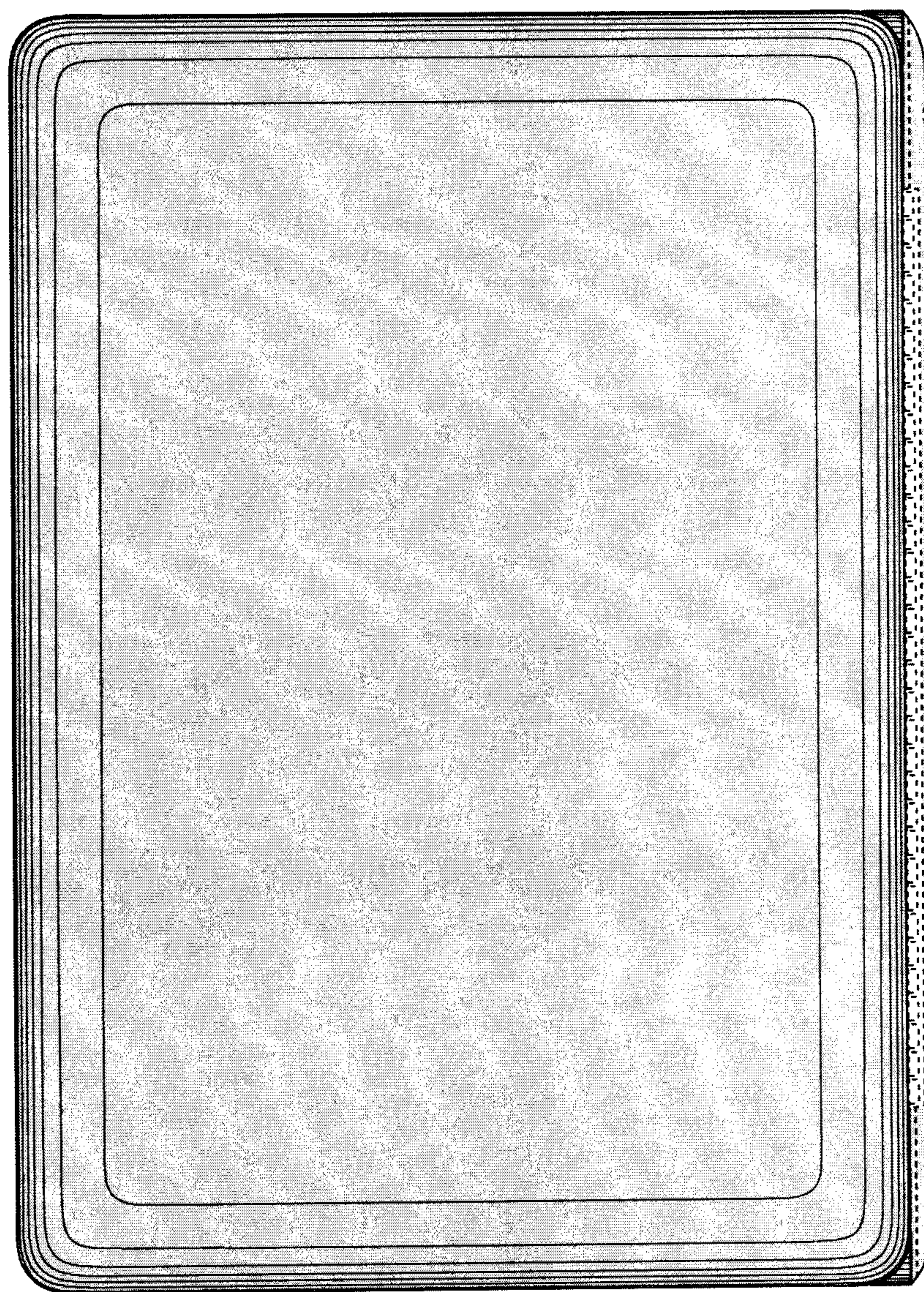


Fig. 12

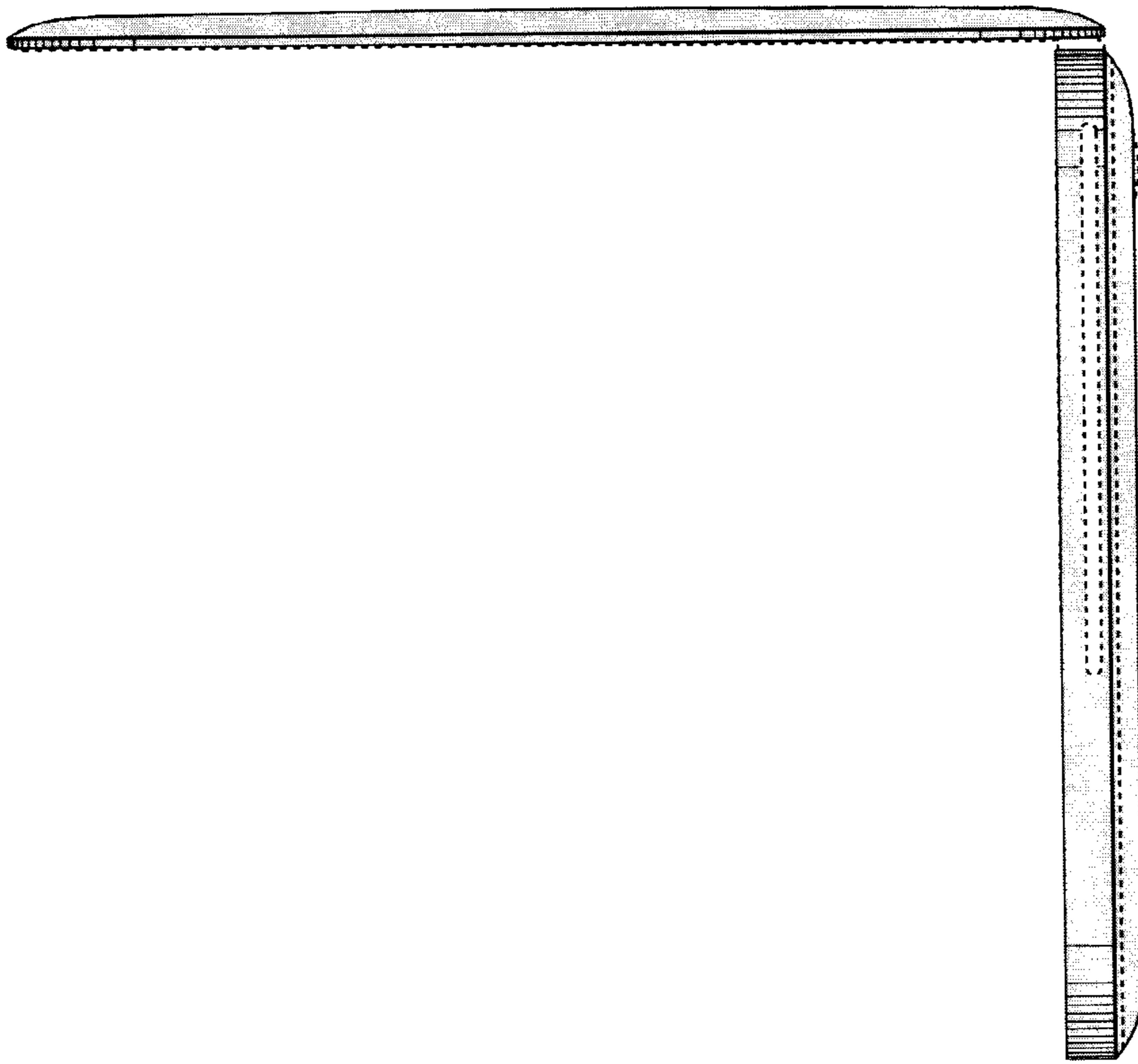


Fig. 14

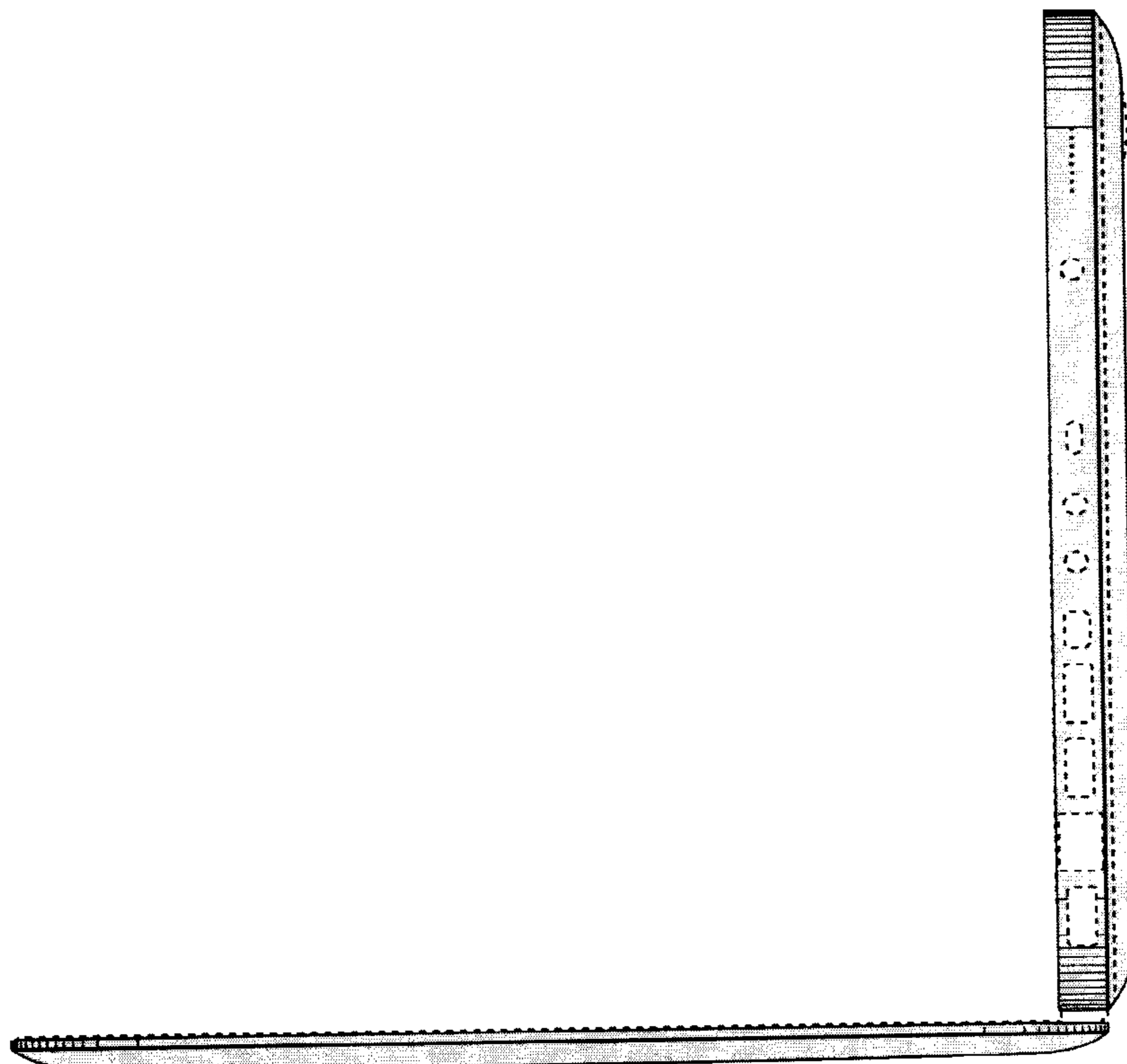


Fig. 13

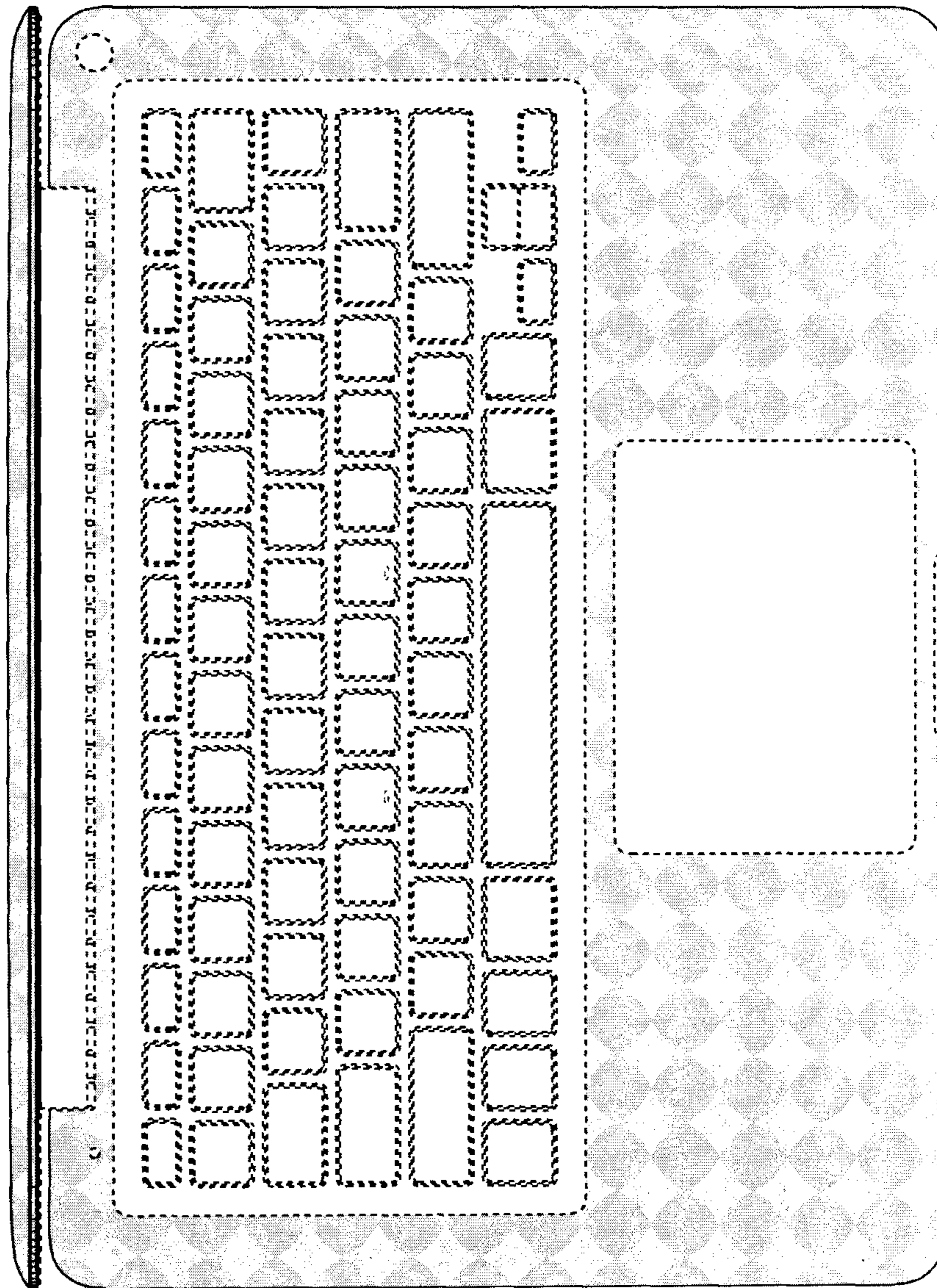


Fig. 15

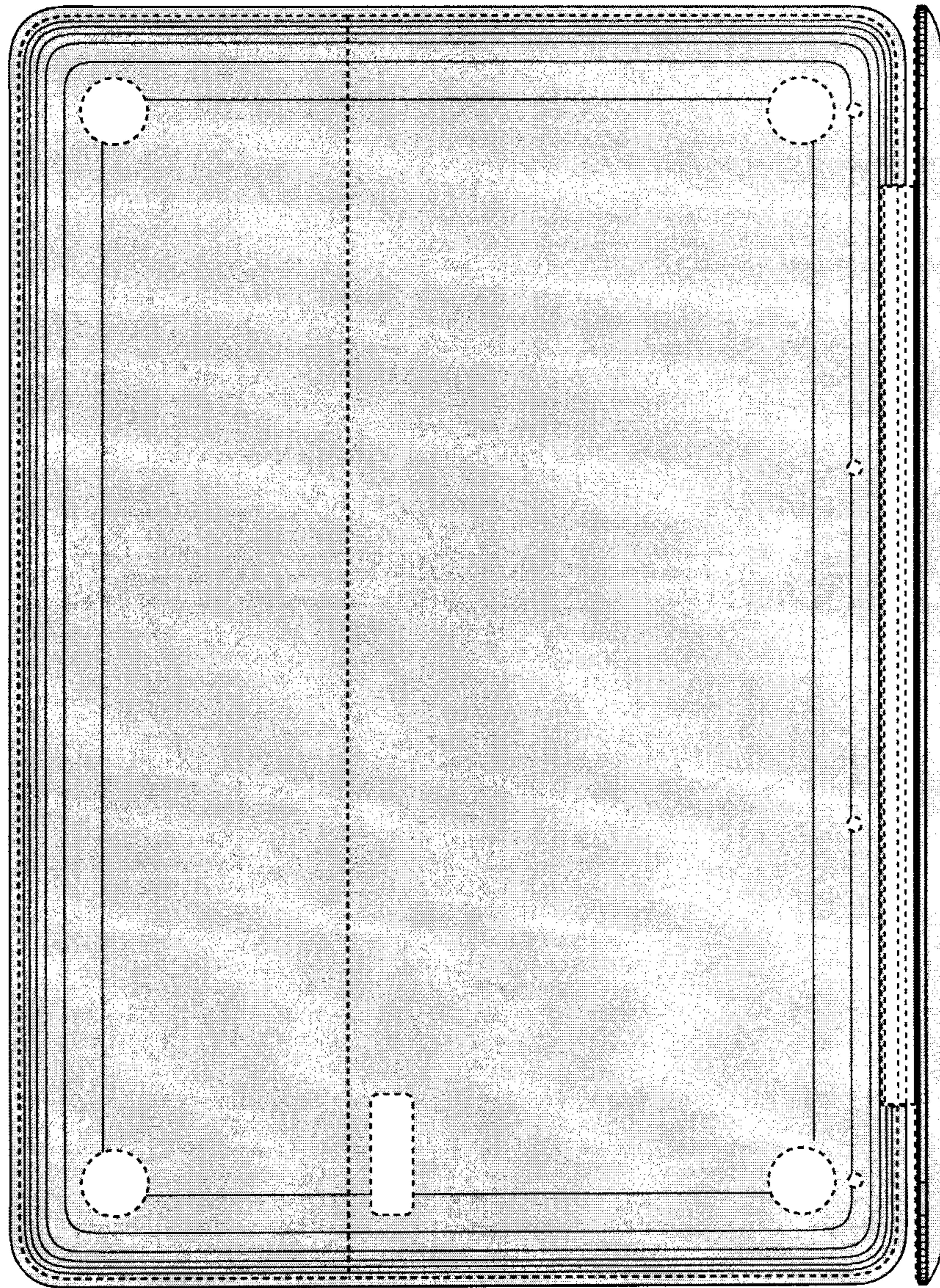


Fig. 16

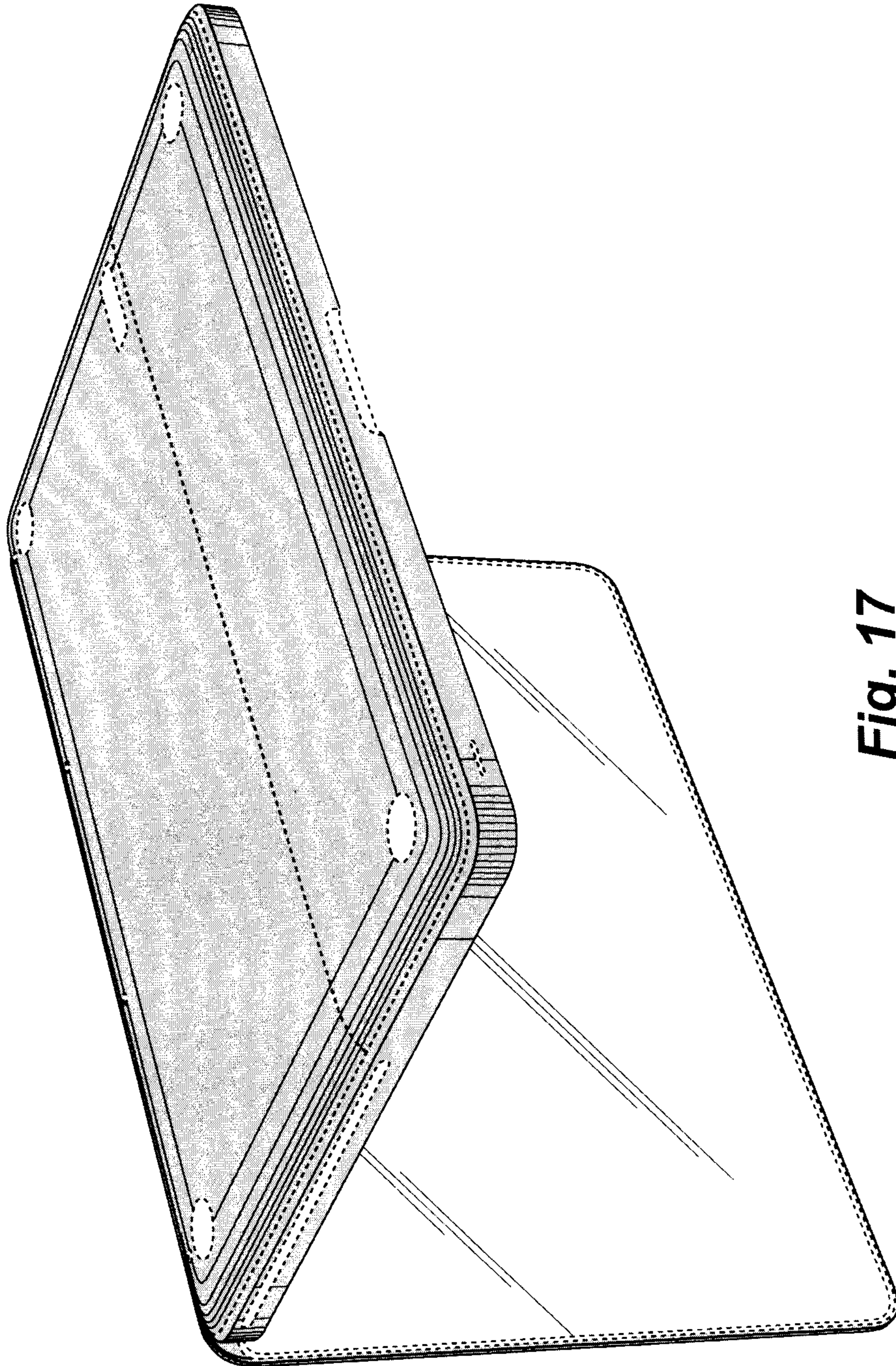


Fig. 17

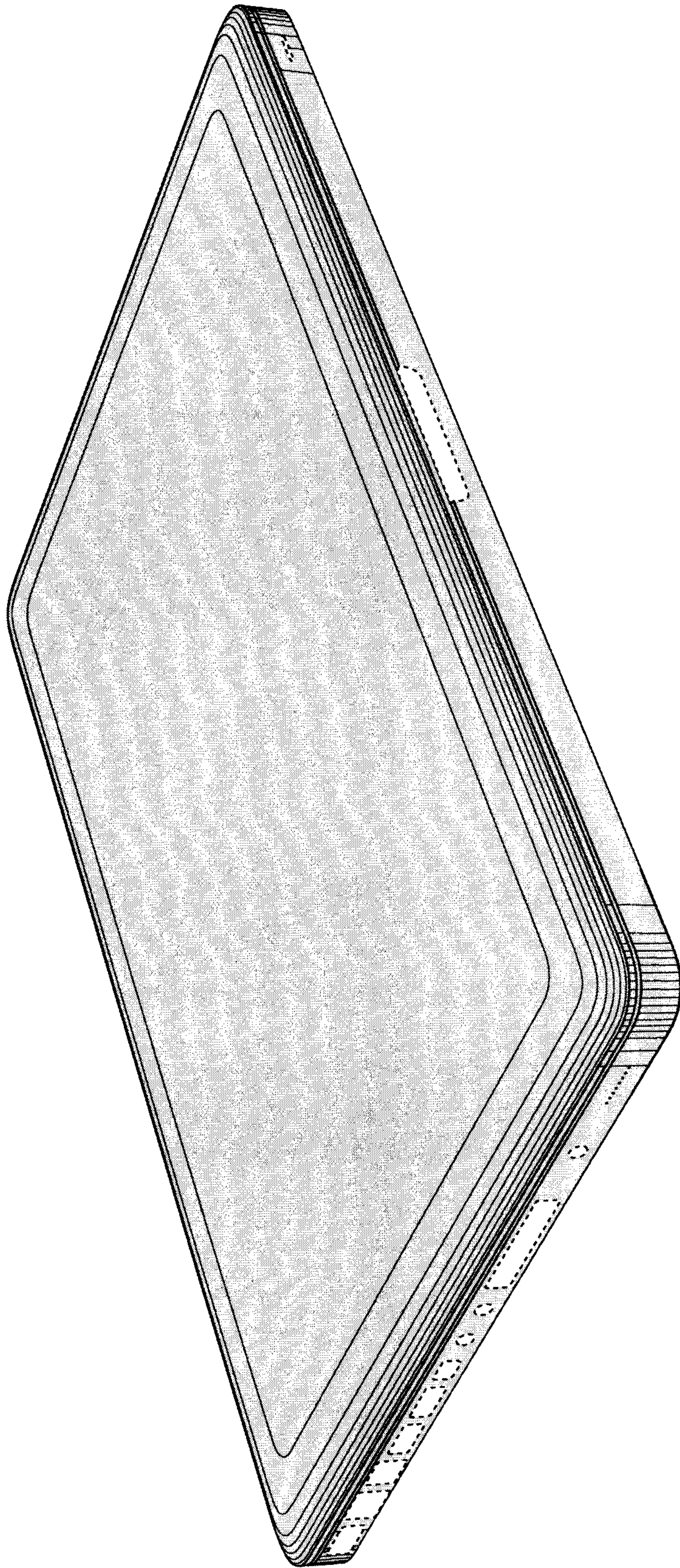


Fig. 18

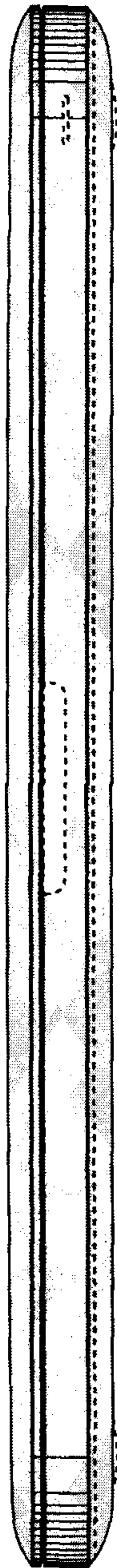


Fig. 19

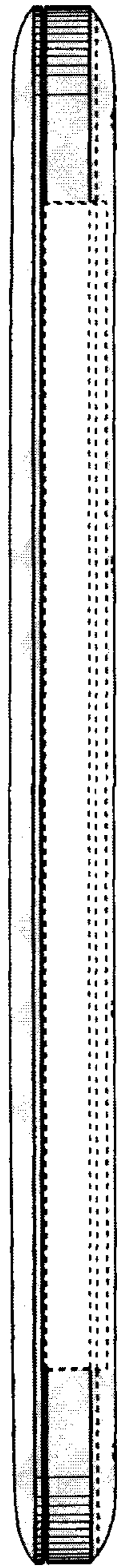


Fig. 20



Fig. 21

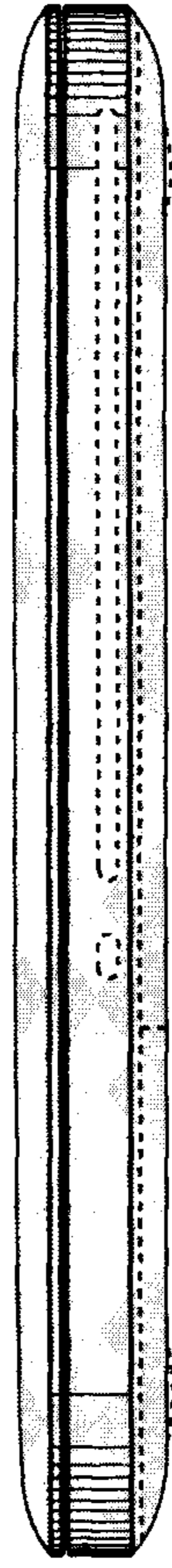


Fig. 22

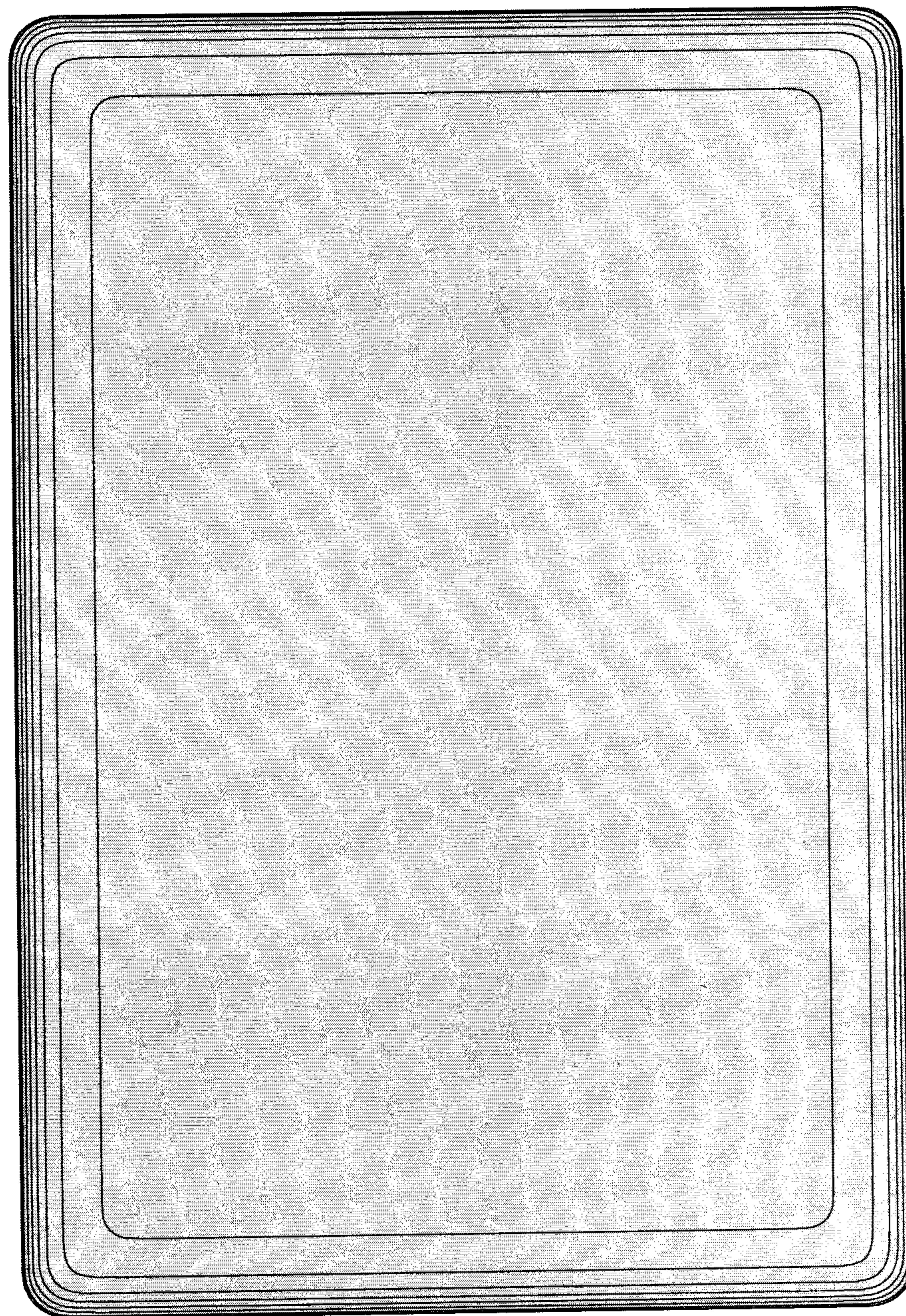


Fig. 23

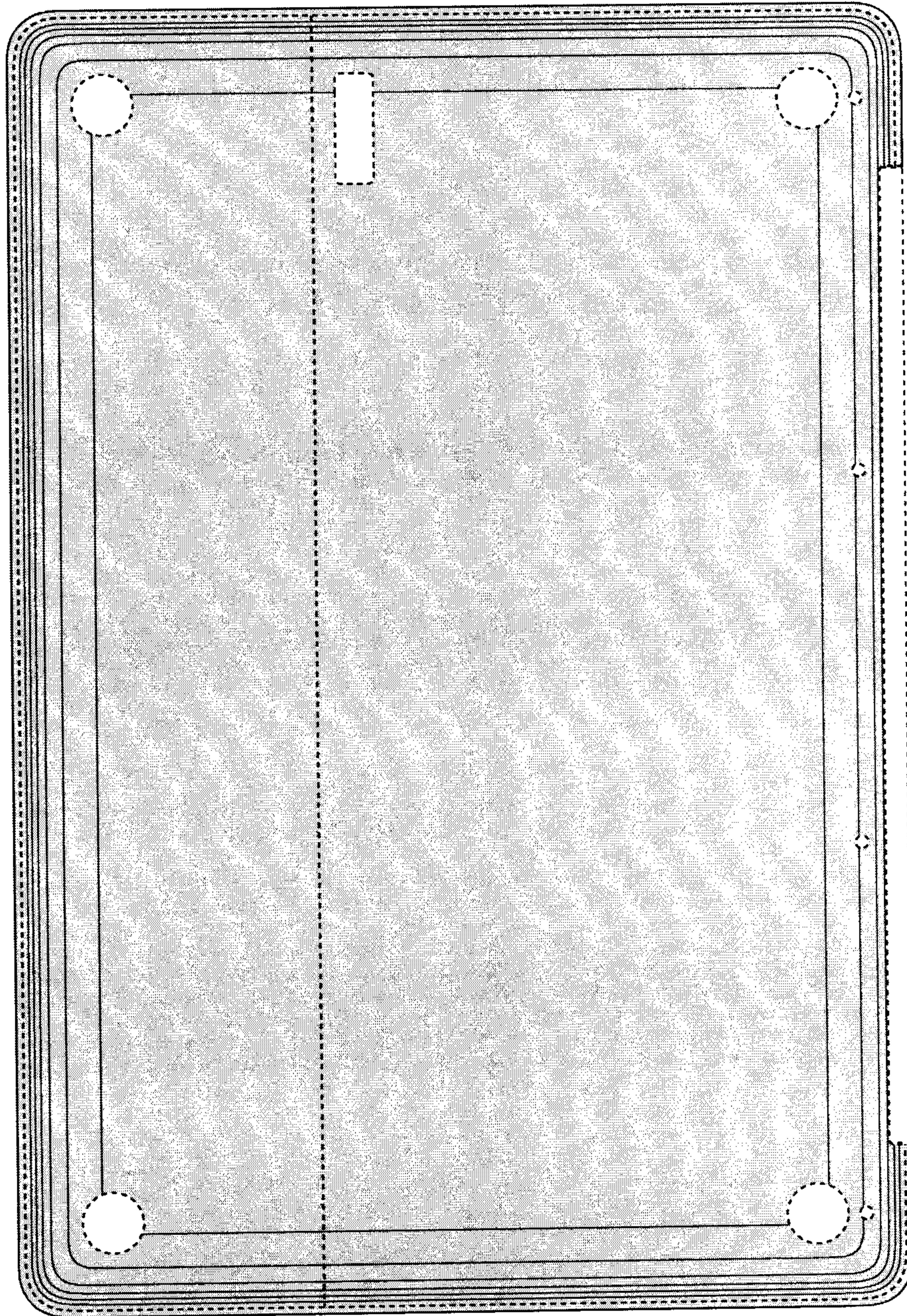


Fig. 24

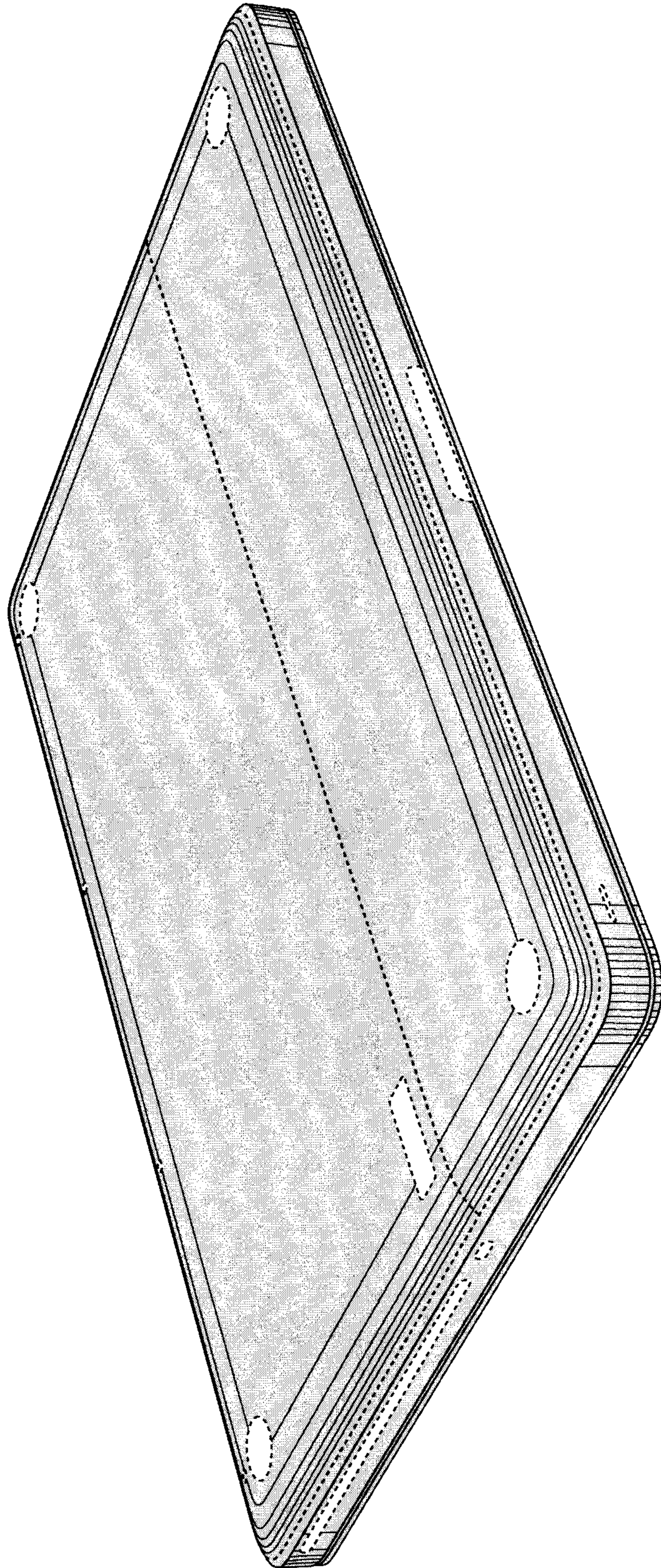


Fig. 25

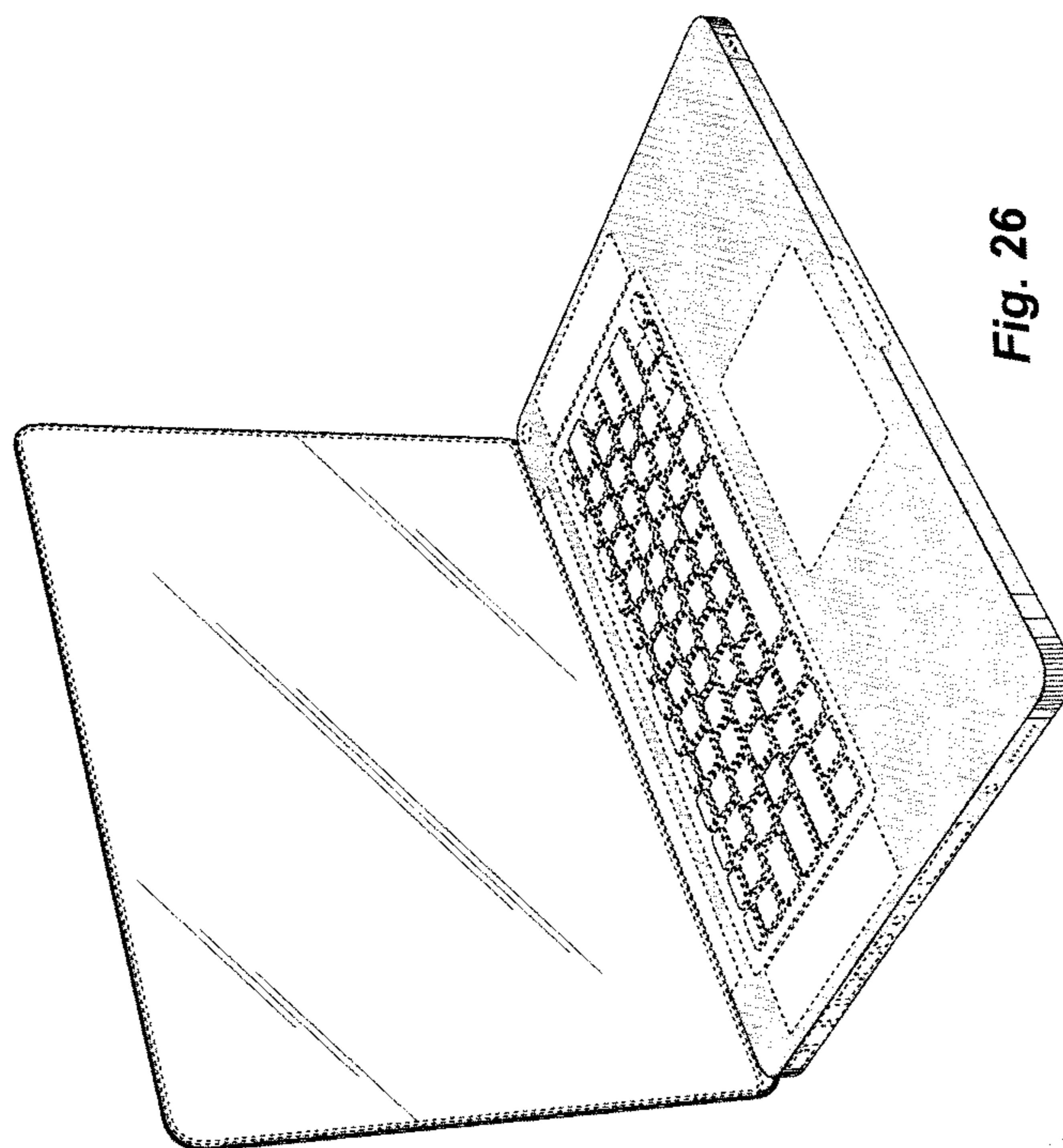


Fig. 26

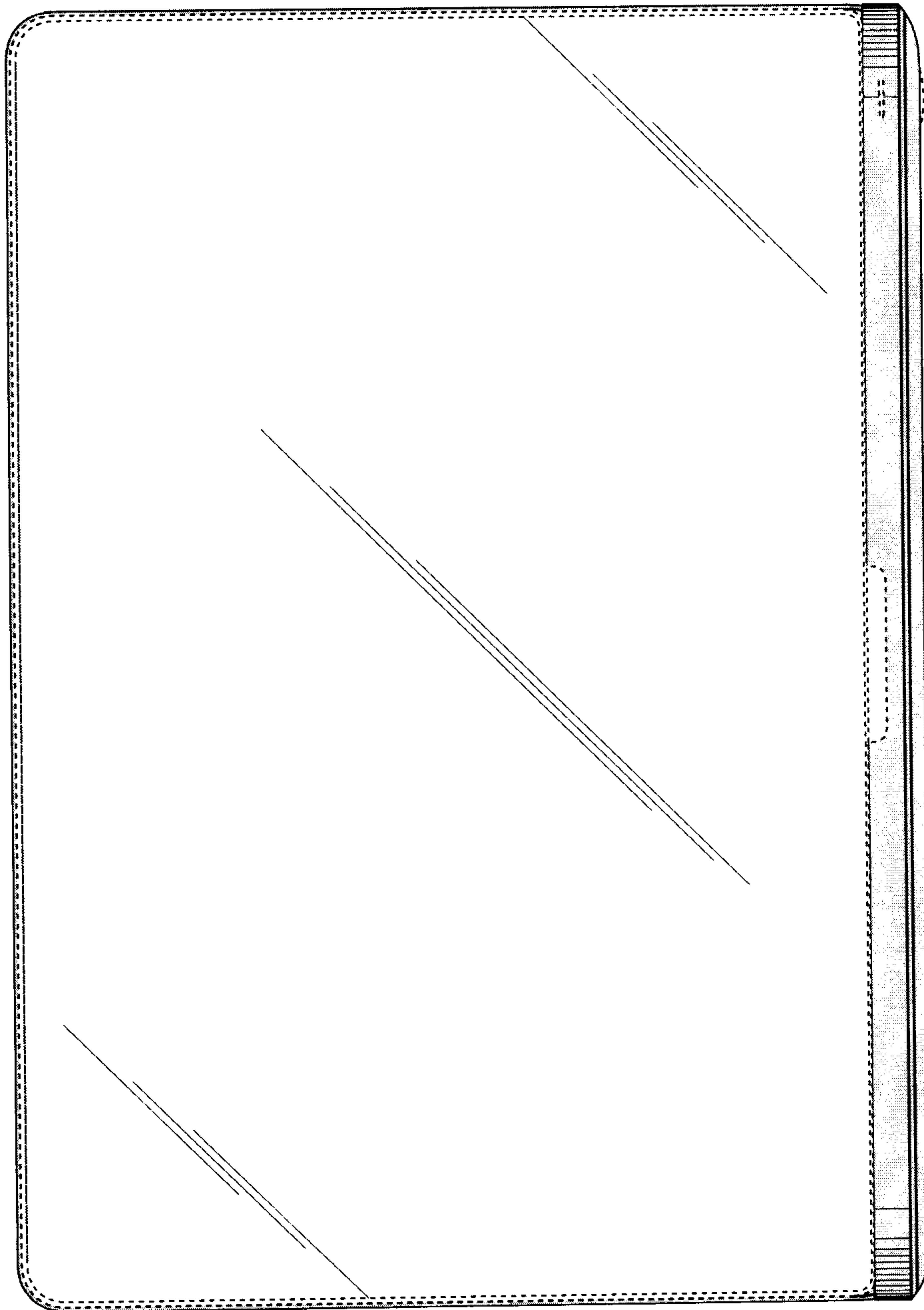


Fig. 27

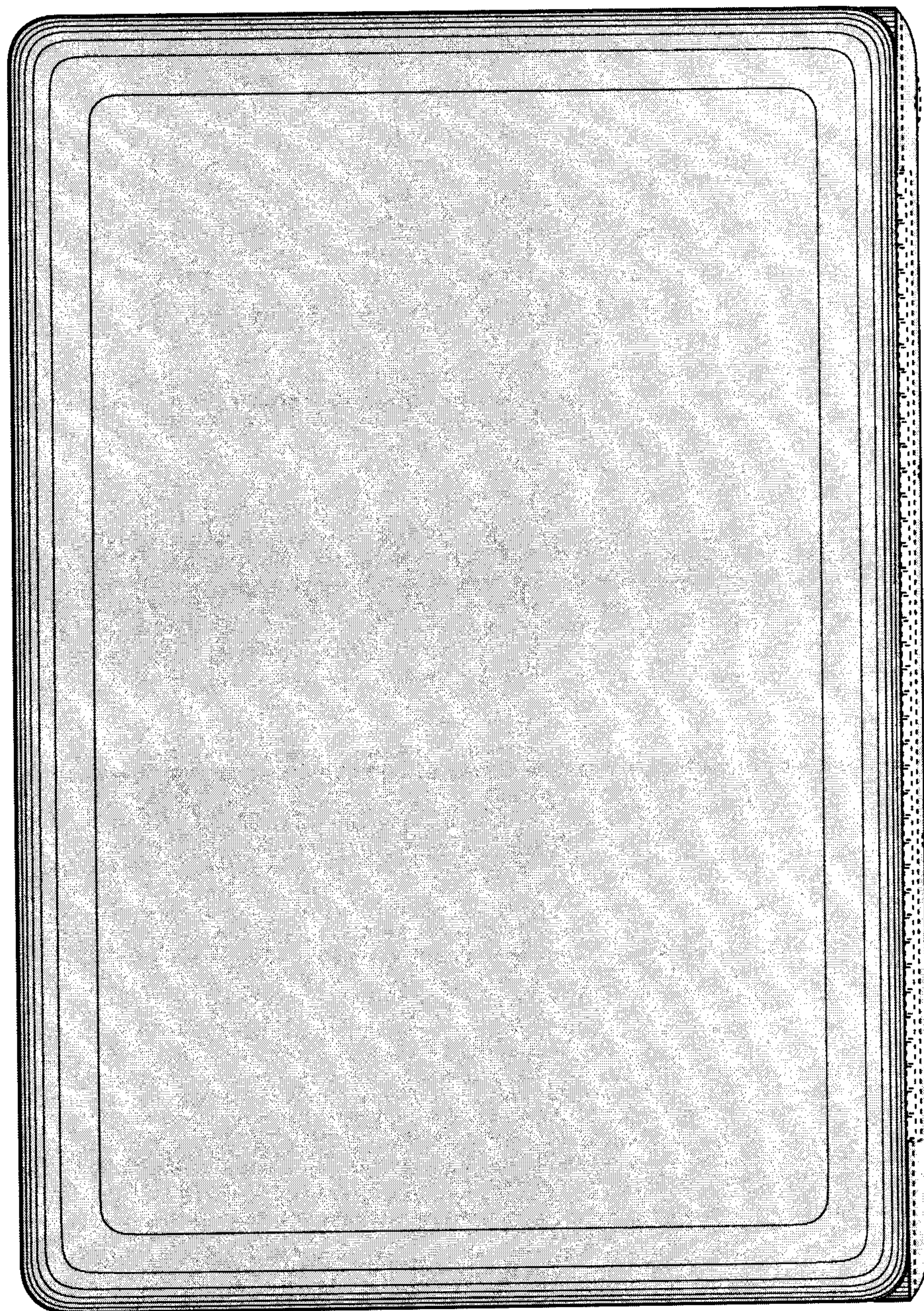


Fig. 28

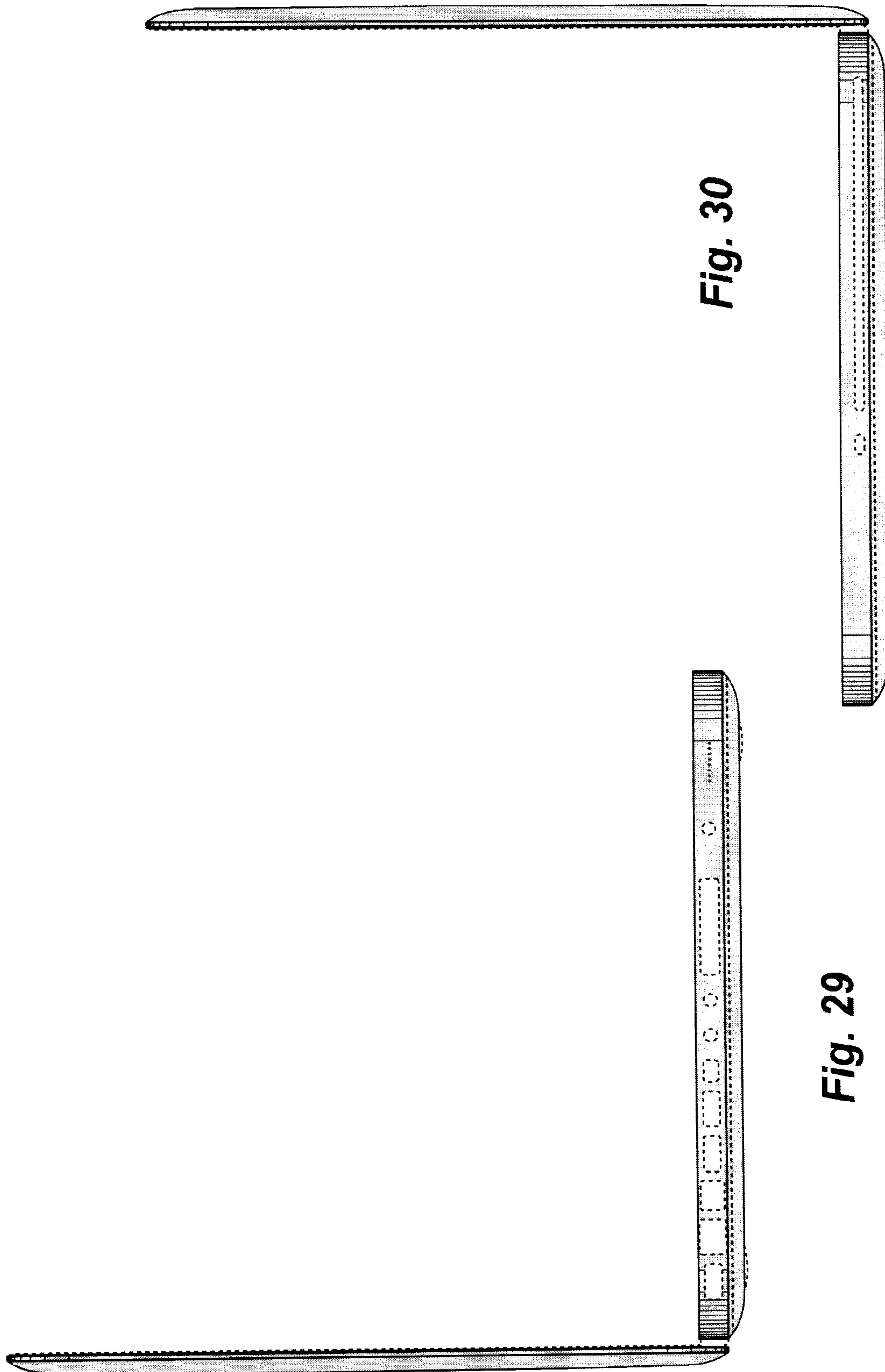


Fig. 30

Fig. 29

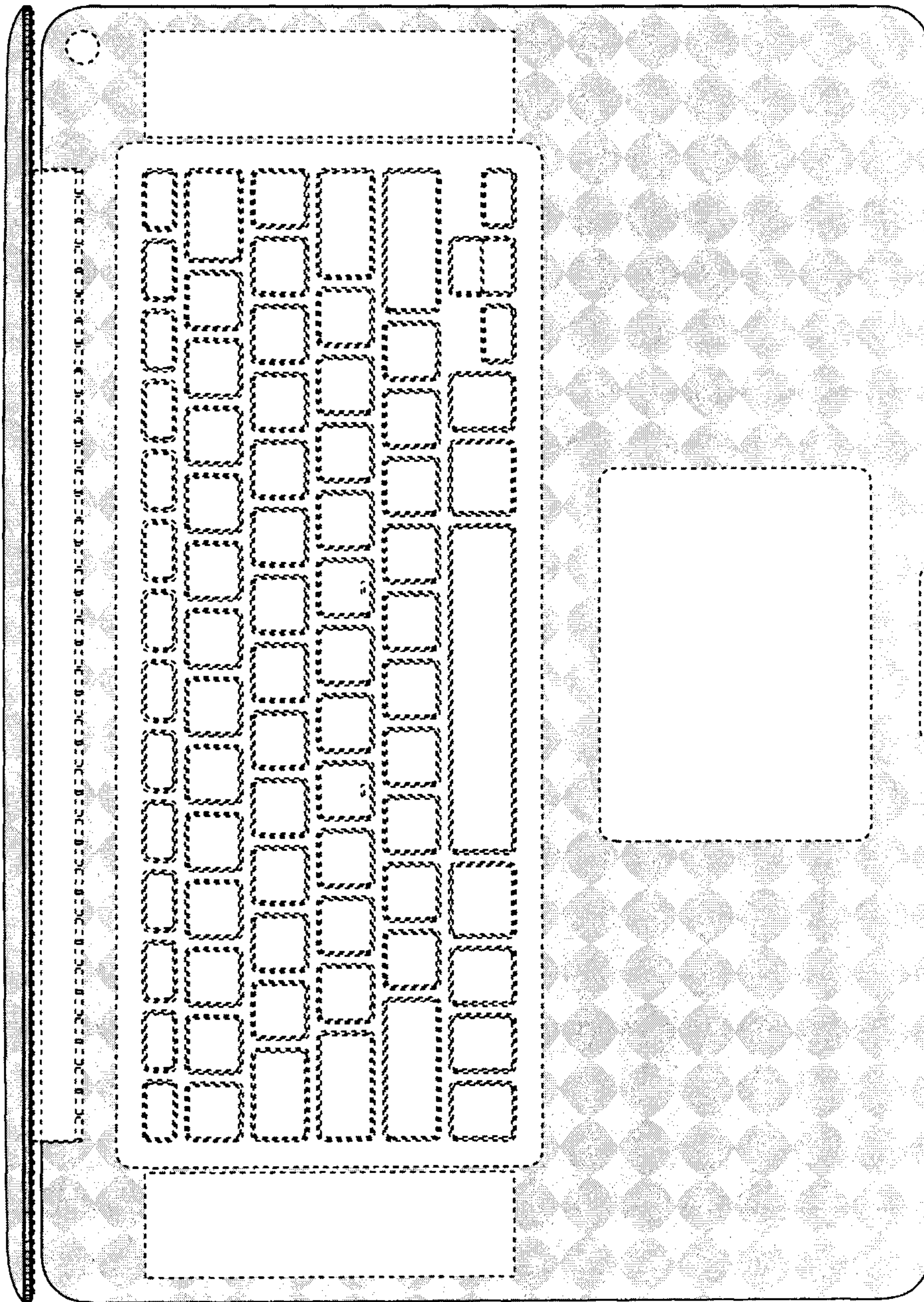


Fig. 31

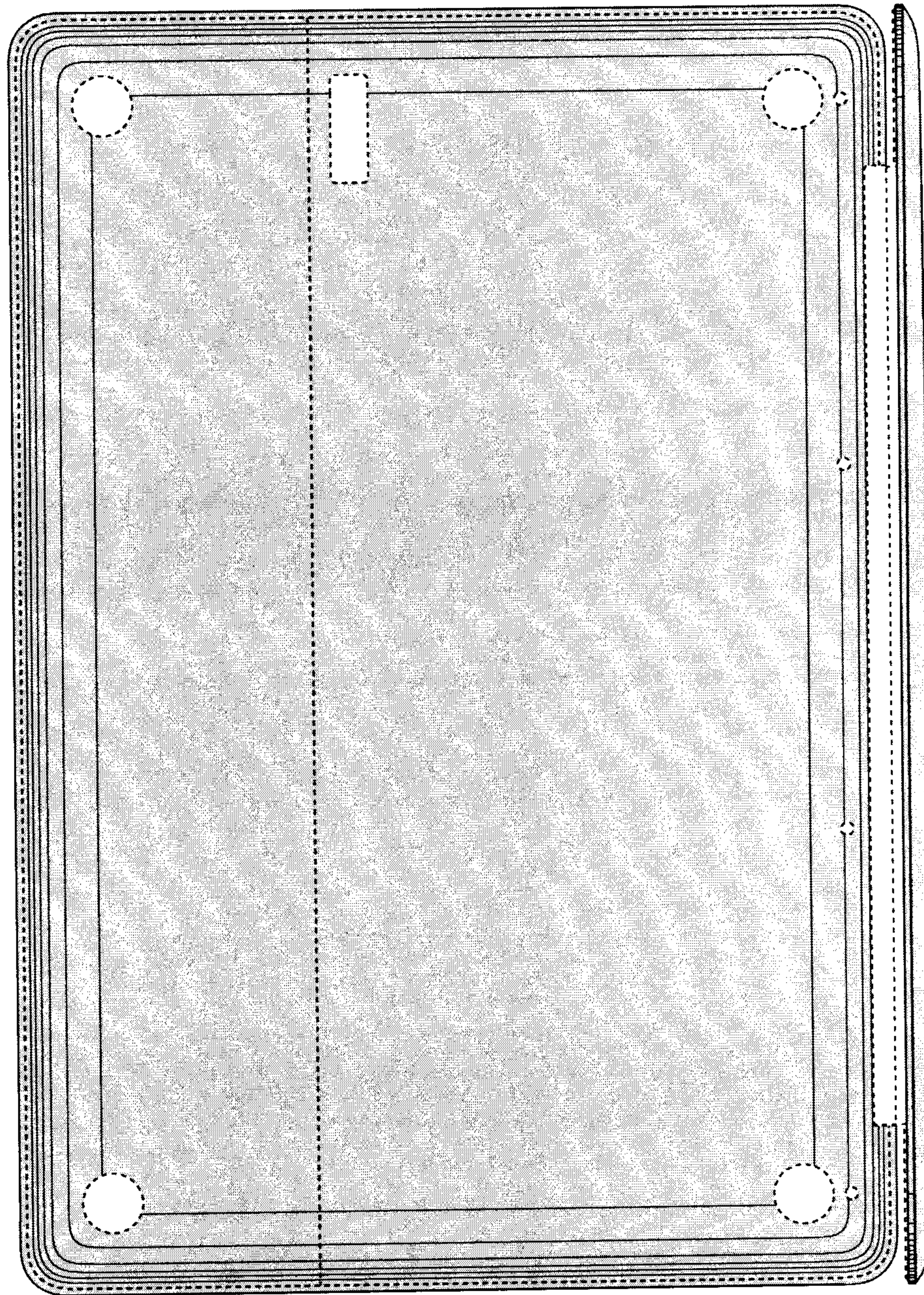


Fig. 32

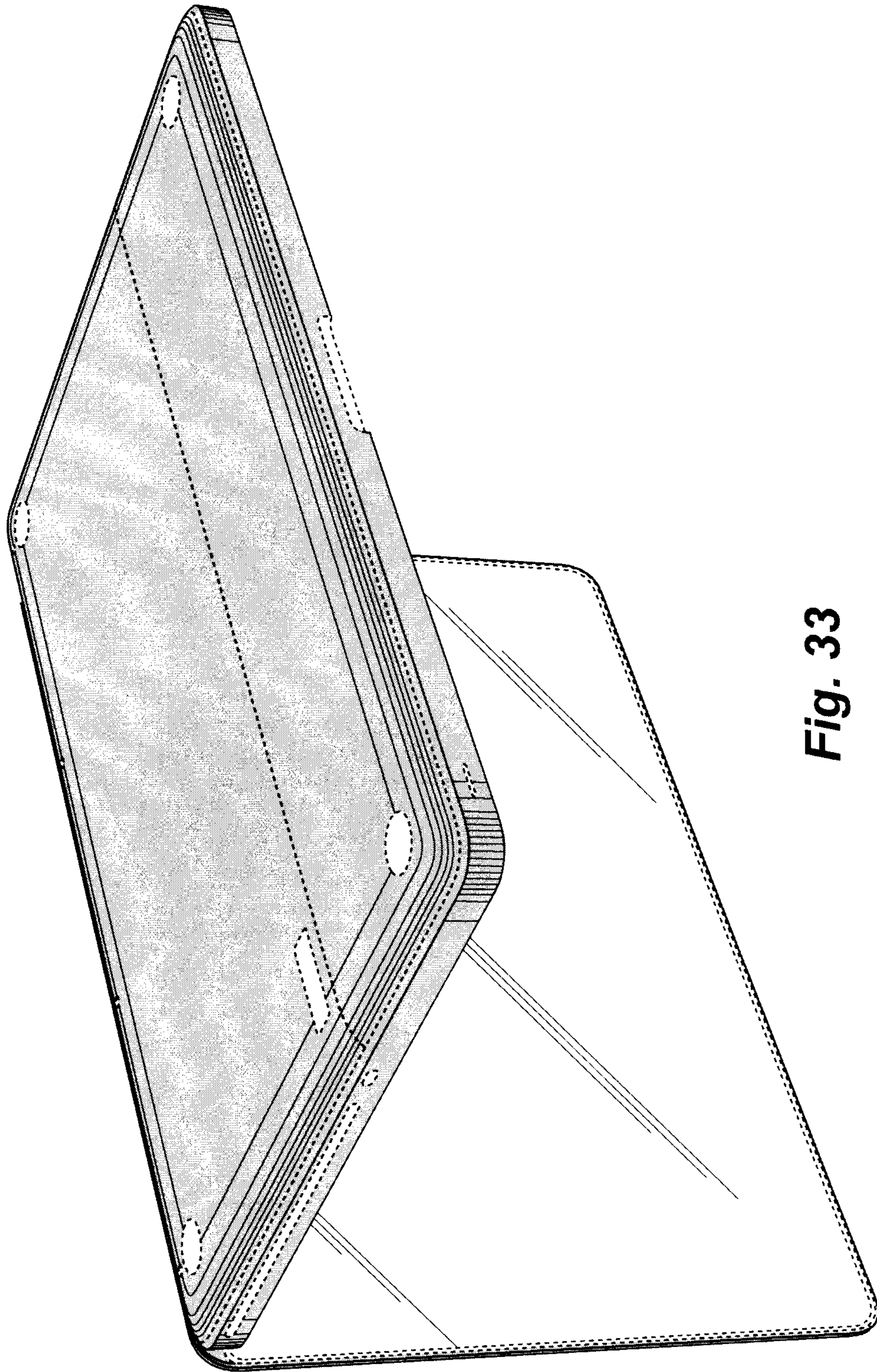


Fig. 33

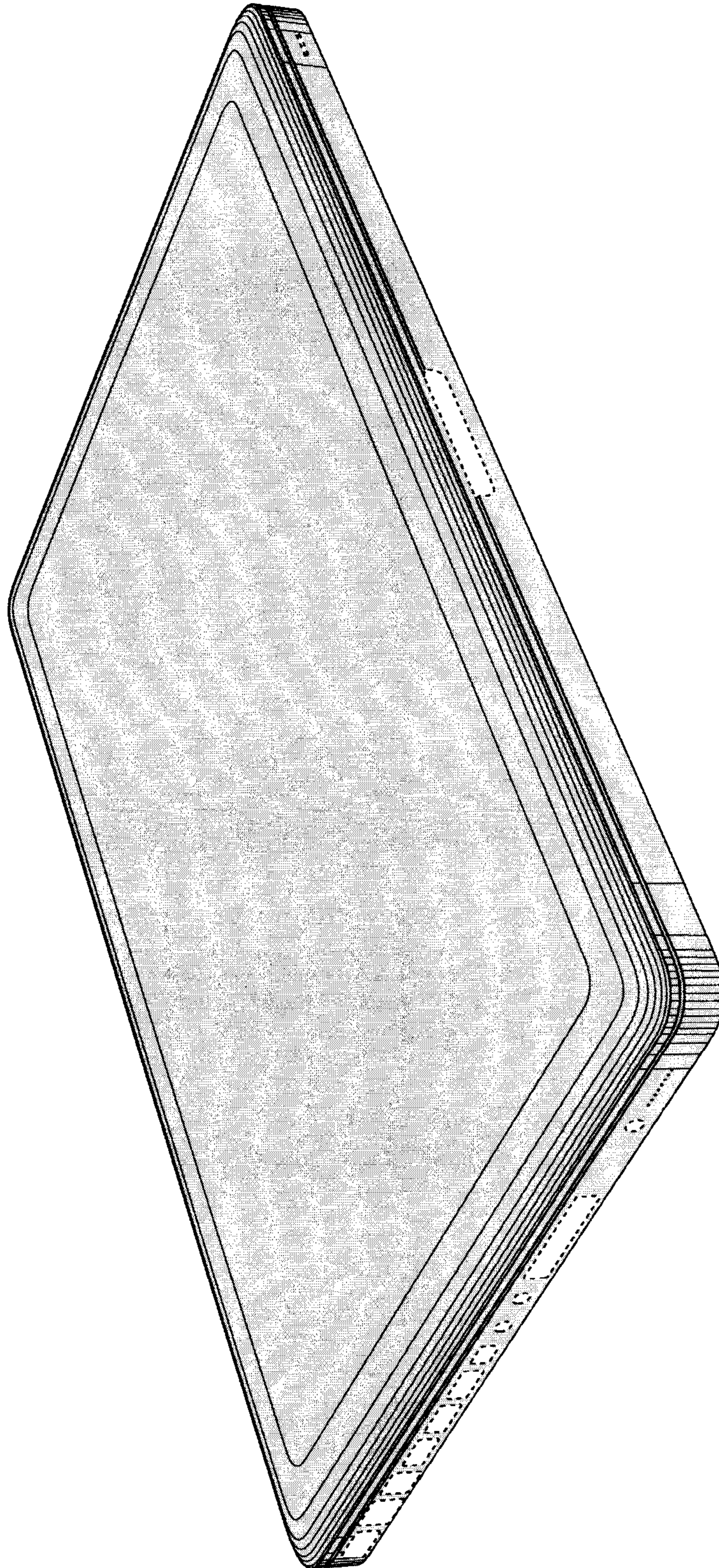


Fig. 34

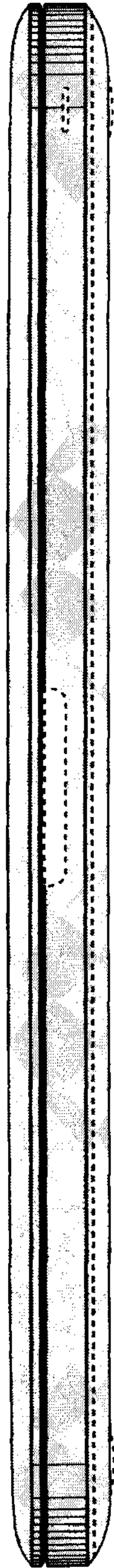


Fig. 35

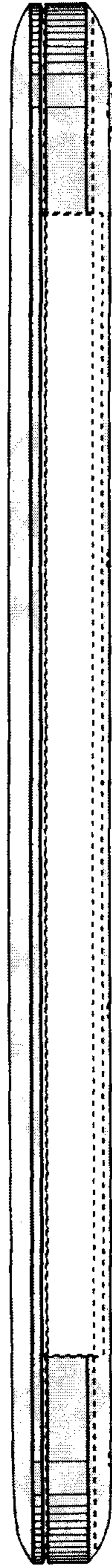


Fig. 36



Fig. 37

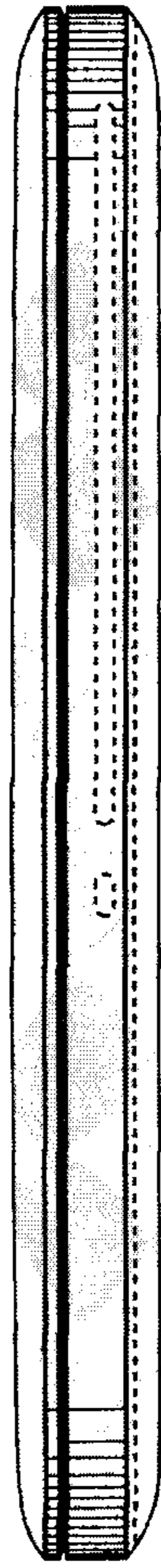


Fig. 38

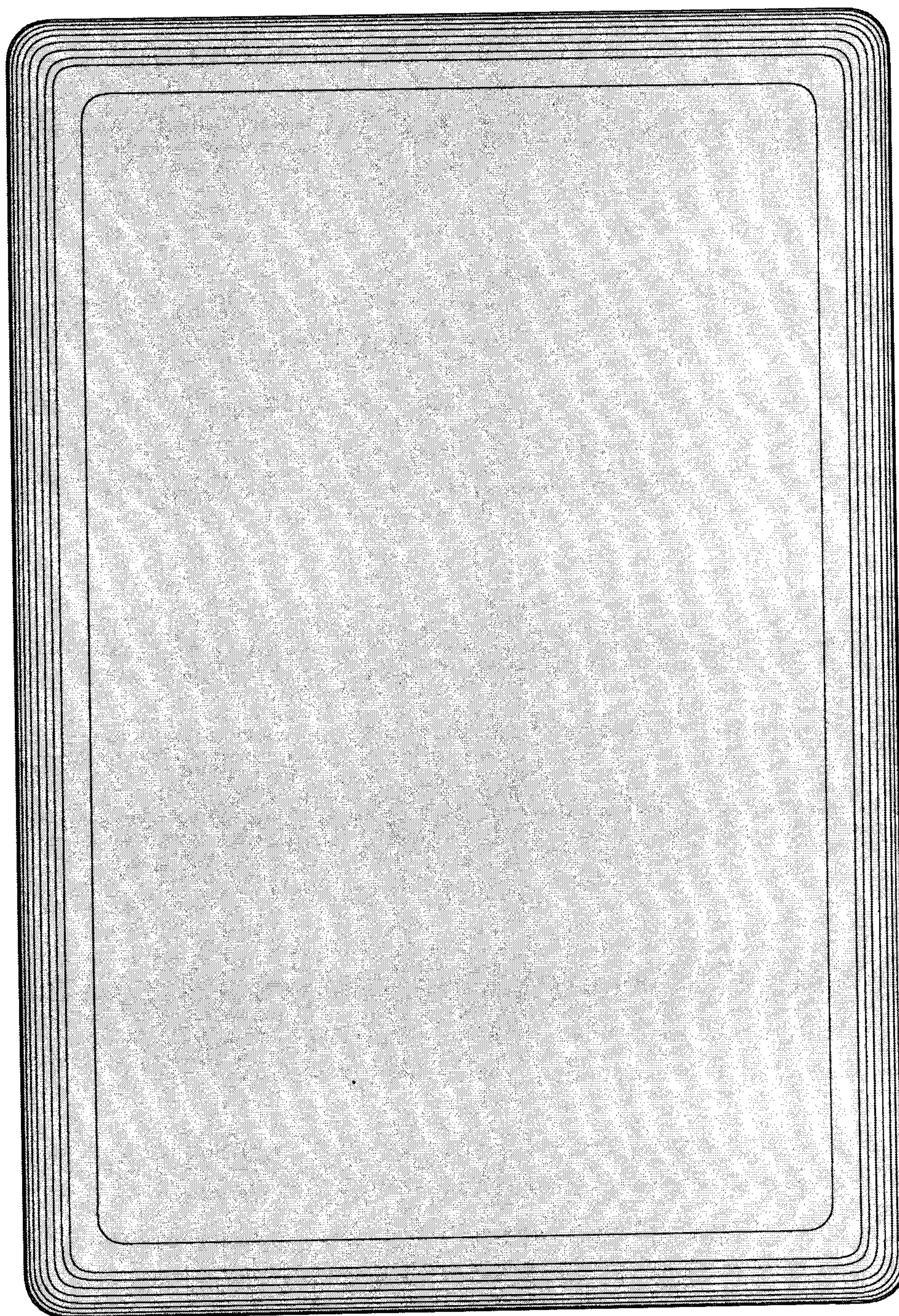


Fig. 39

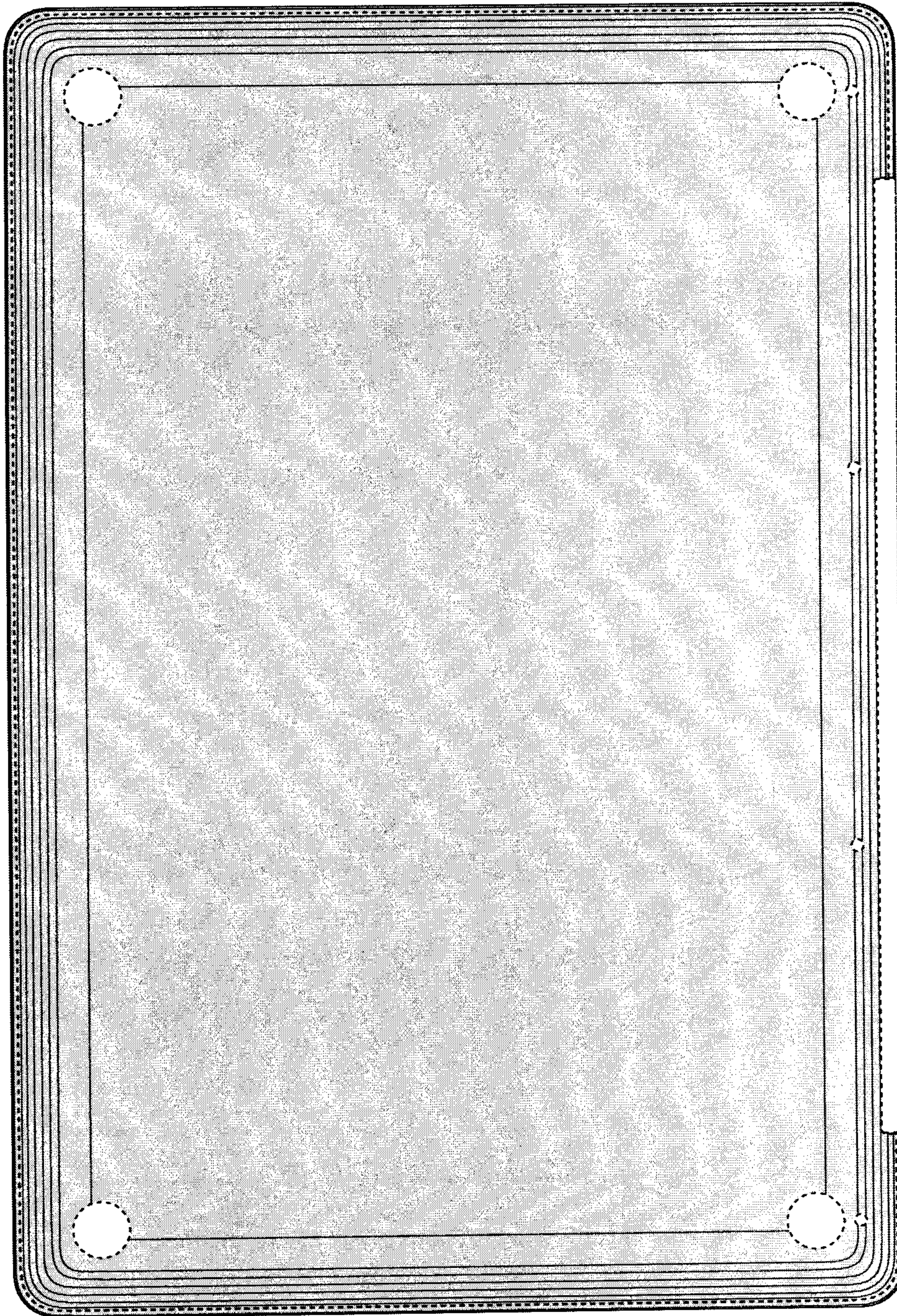


Fig. 40

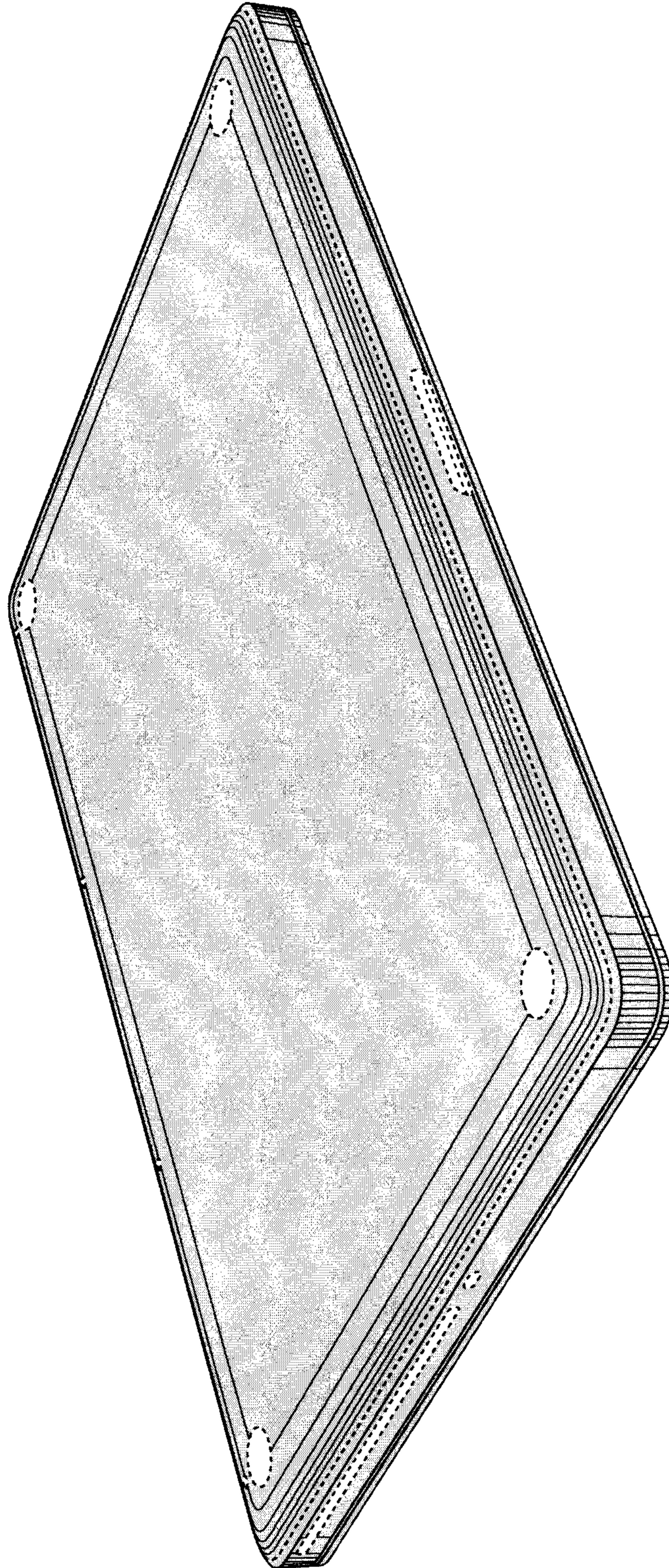


Fig. 41

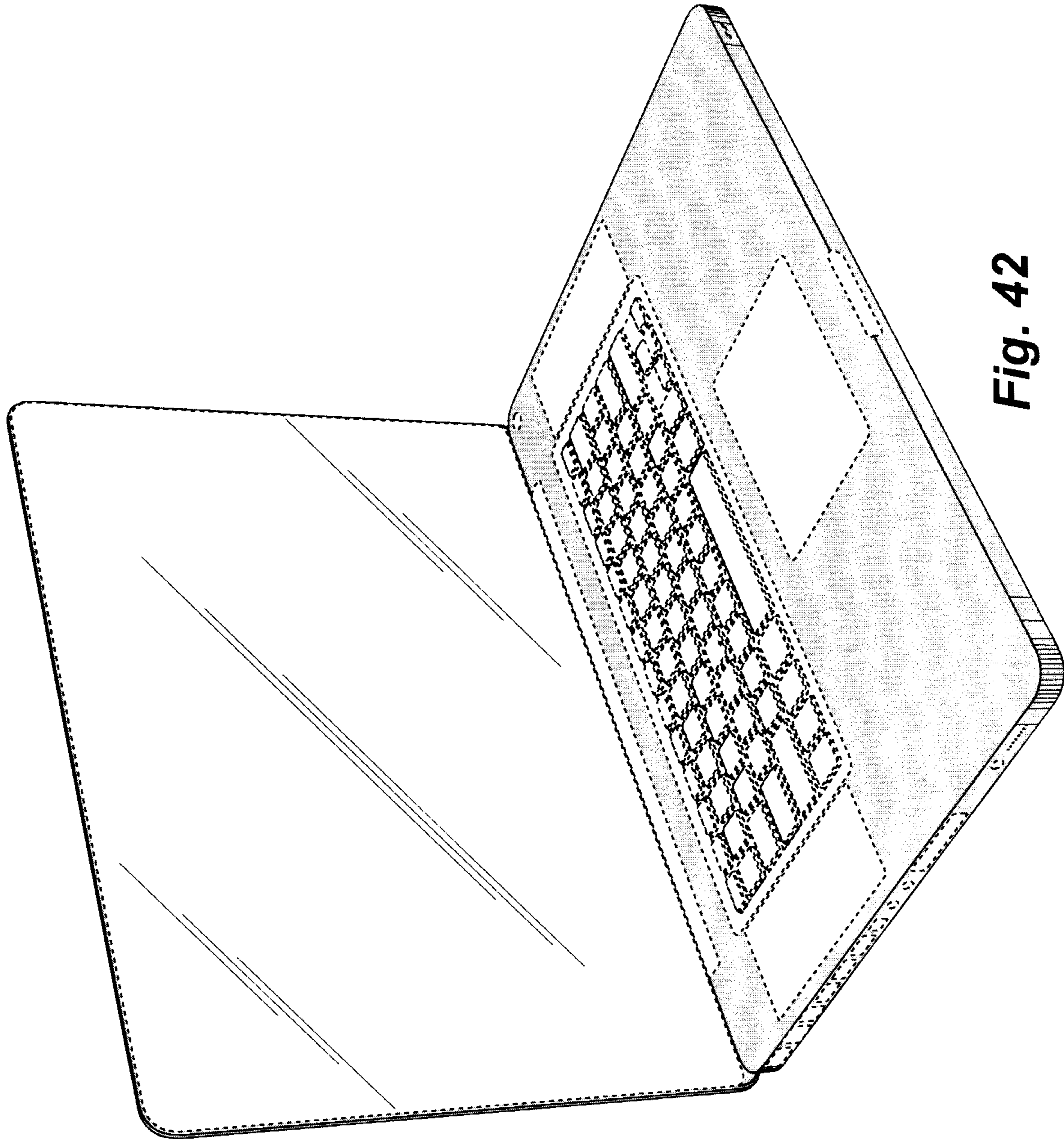


Fig. 42

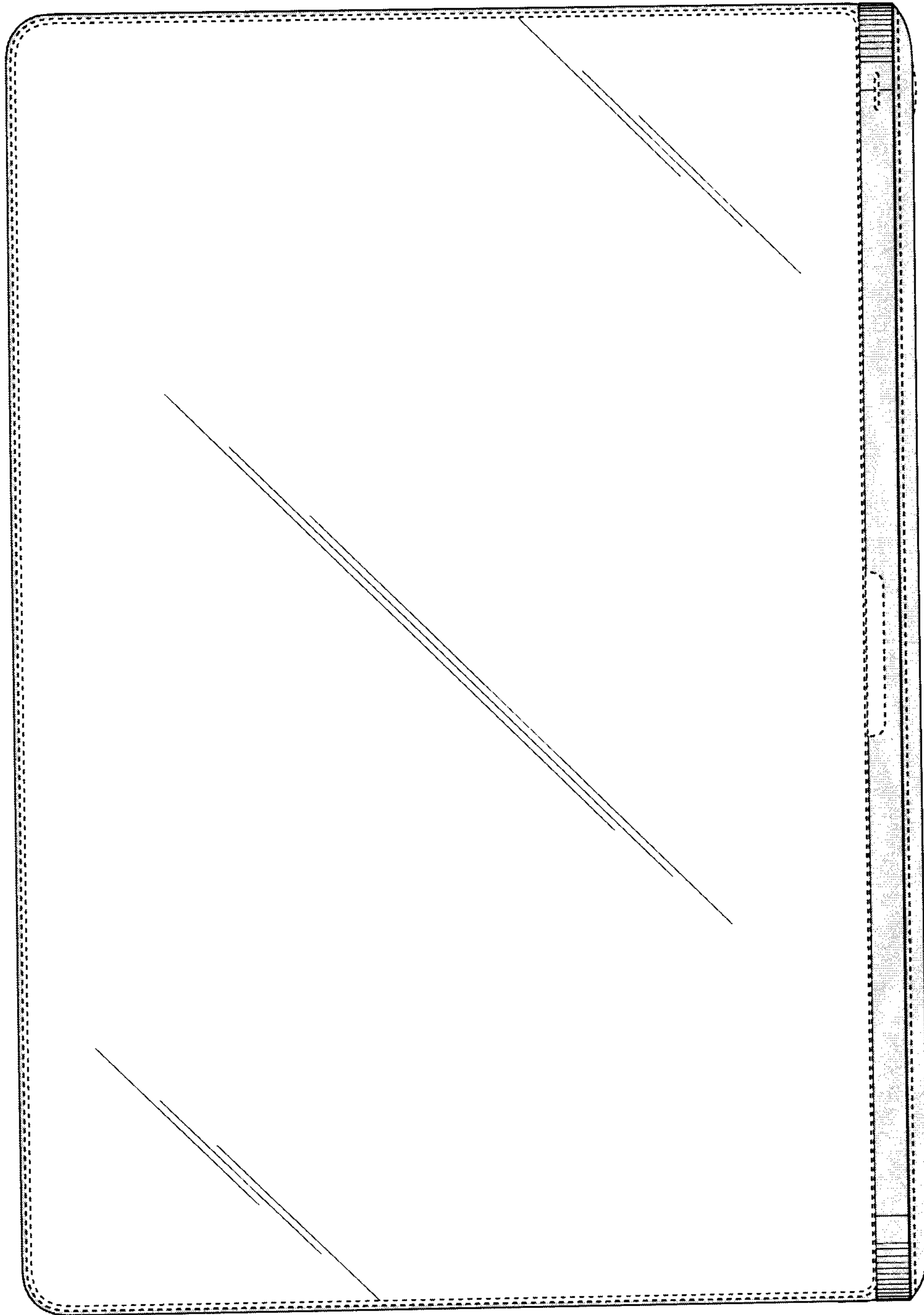


Fig. 43

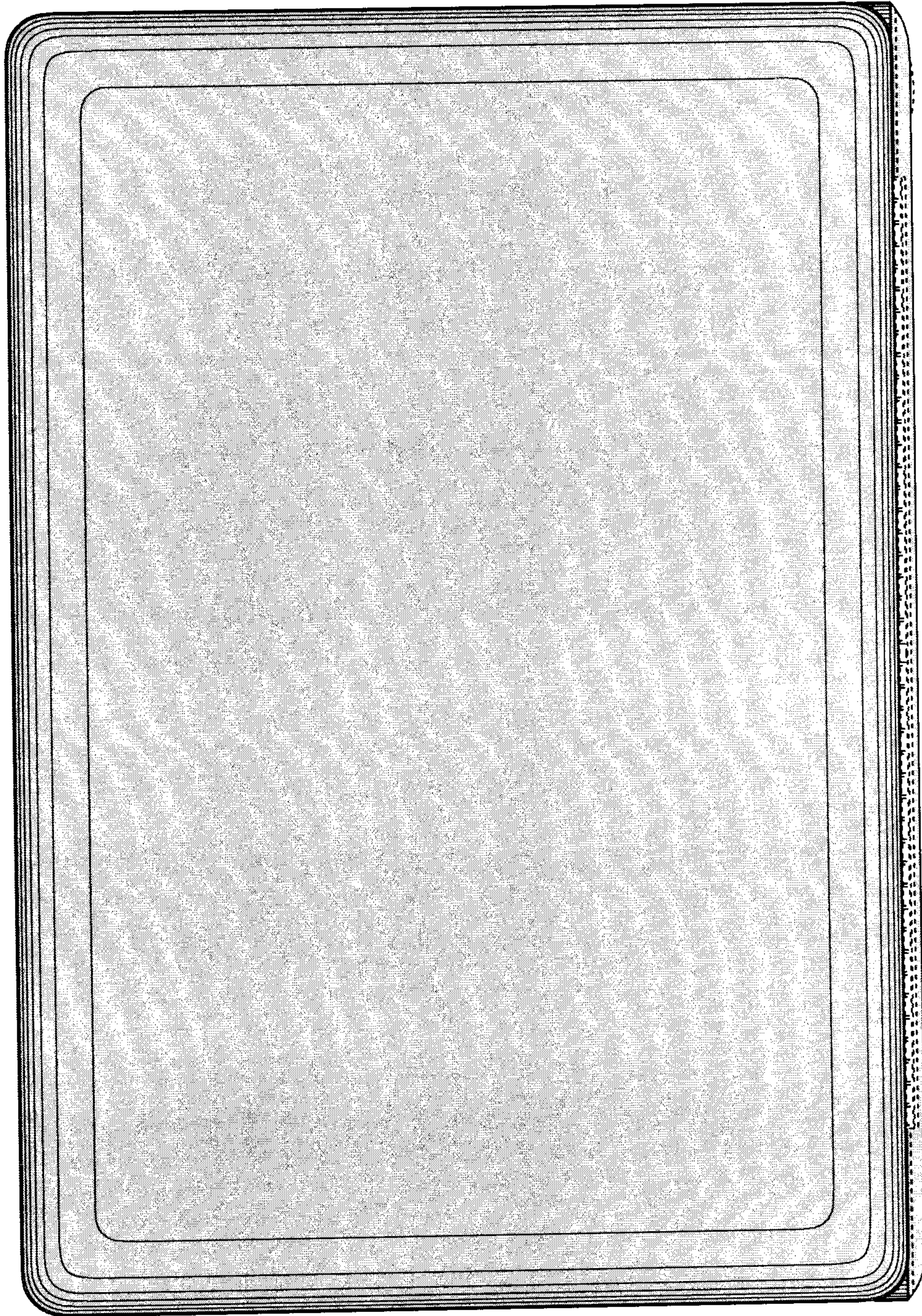


Fig. 44

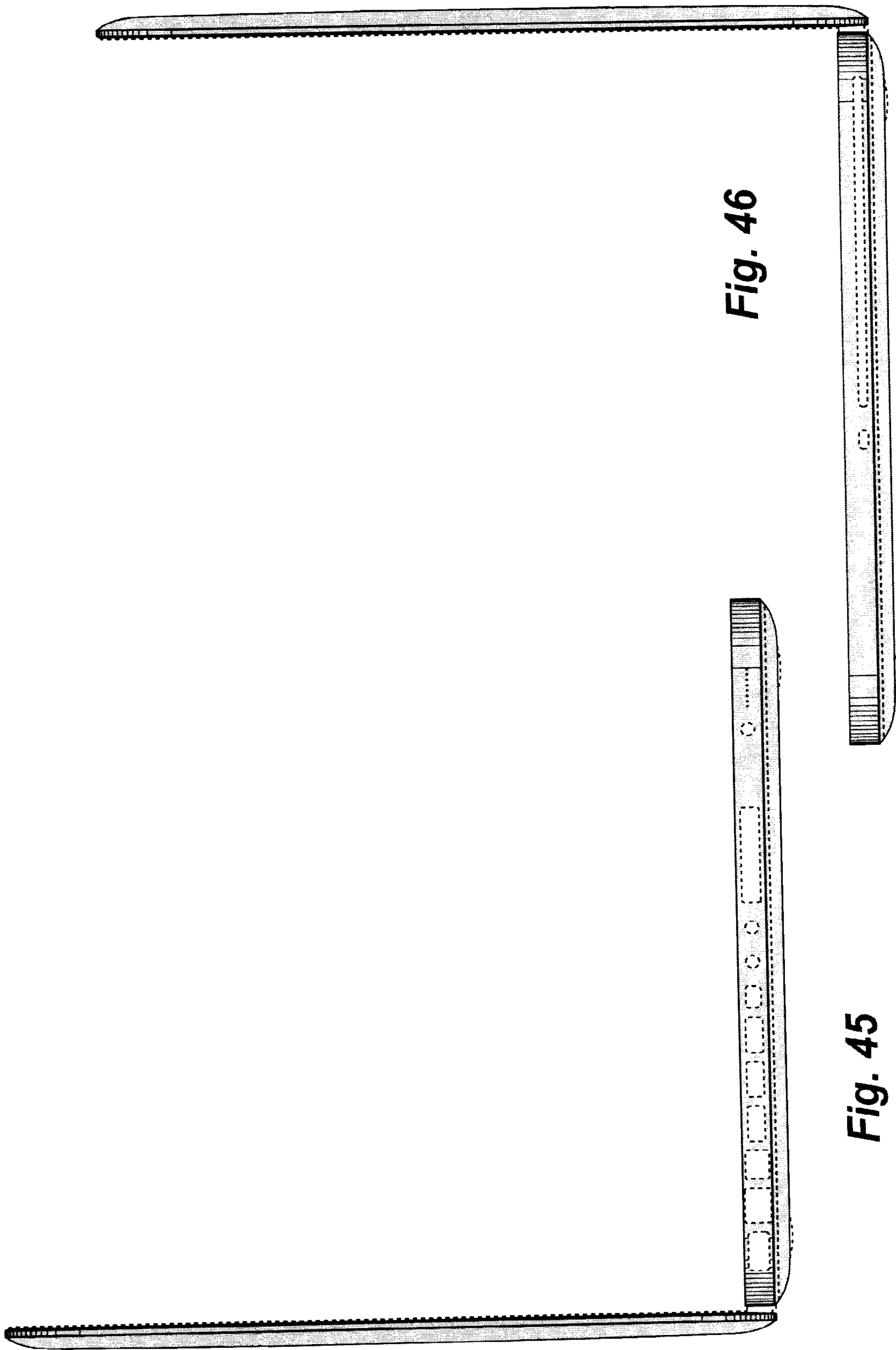


Fig. 46

Fig. 45

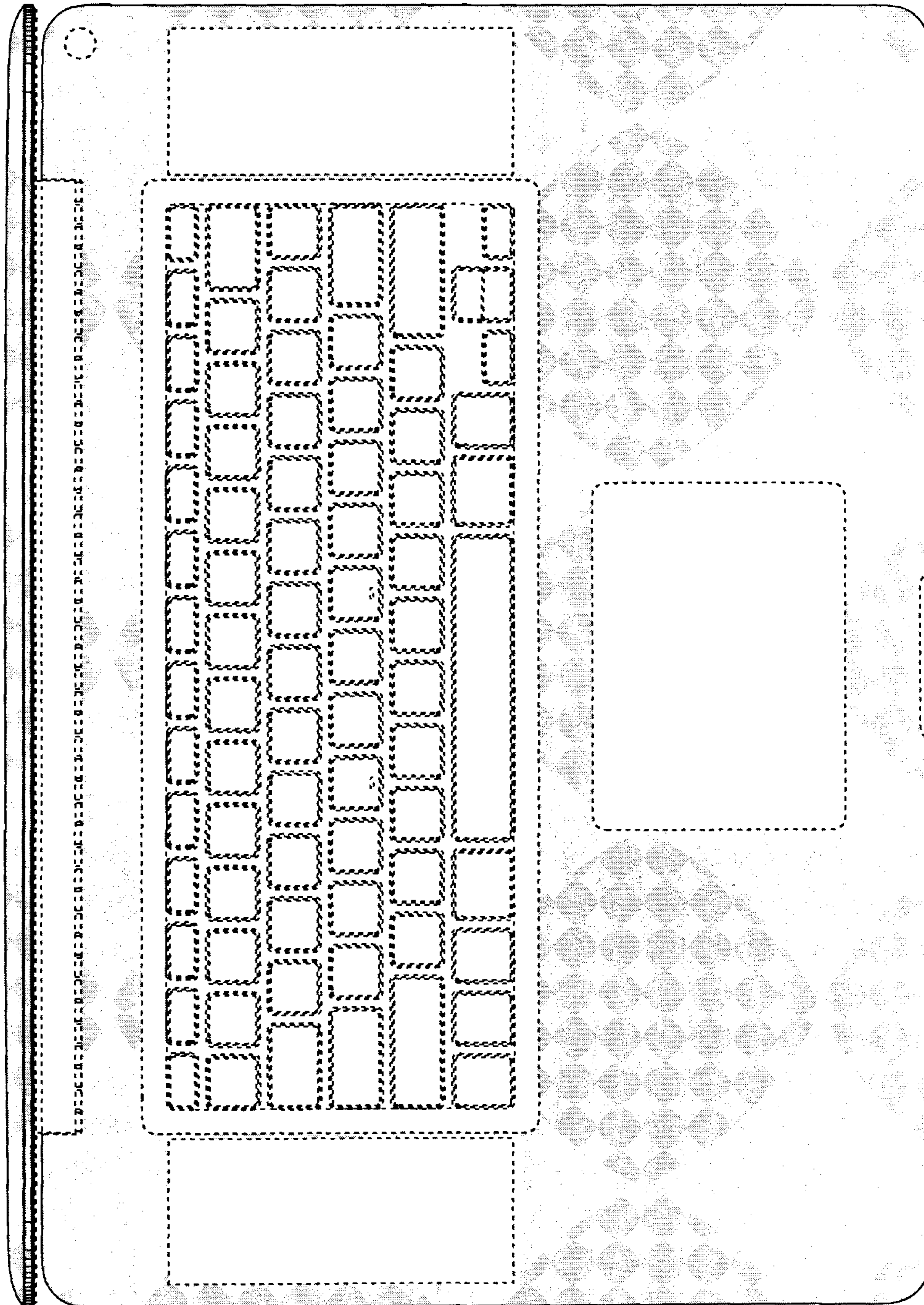


Fig. 47

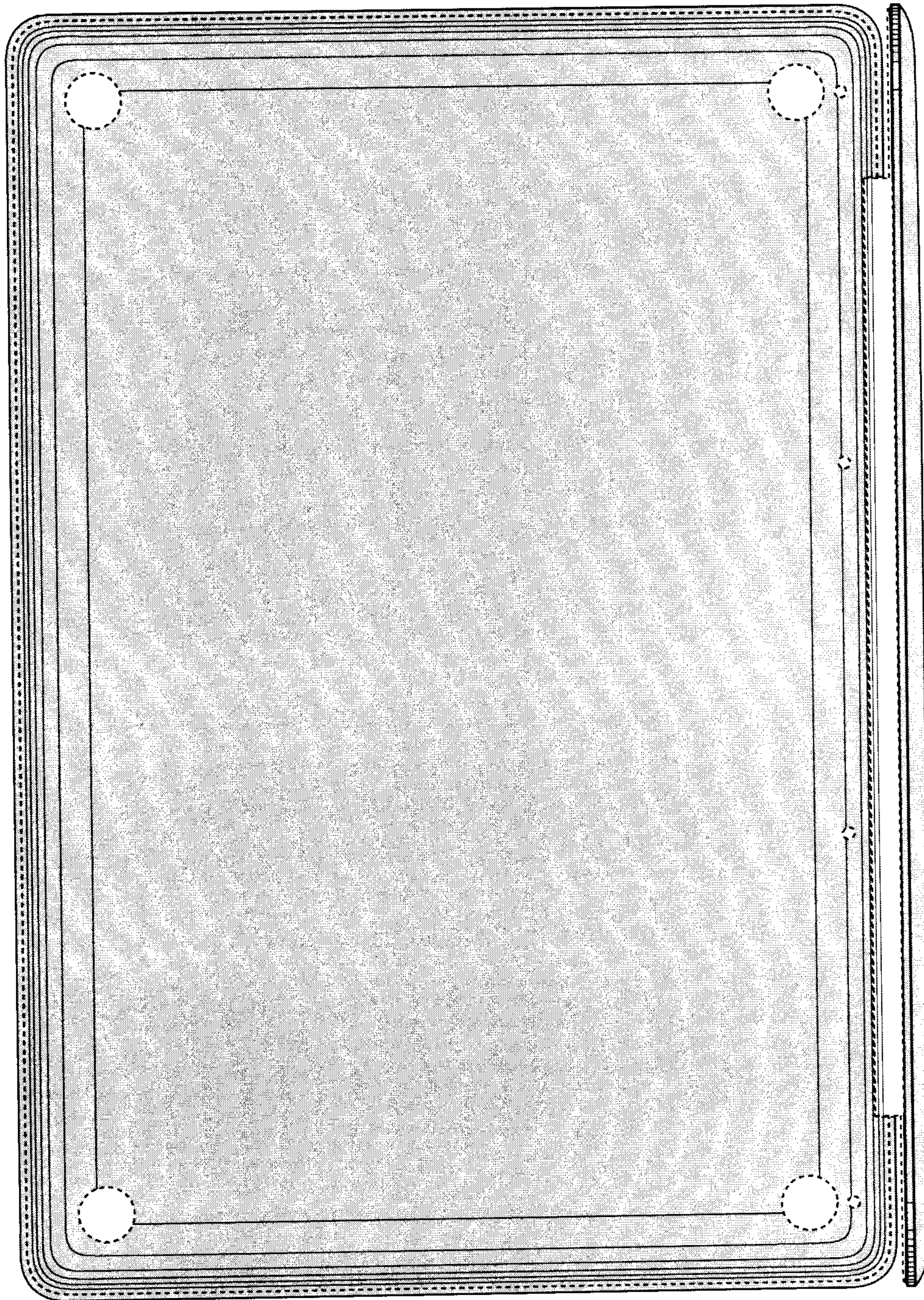


Fig. 48

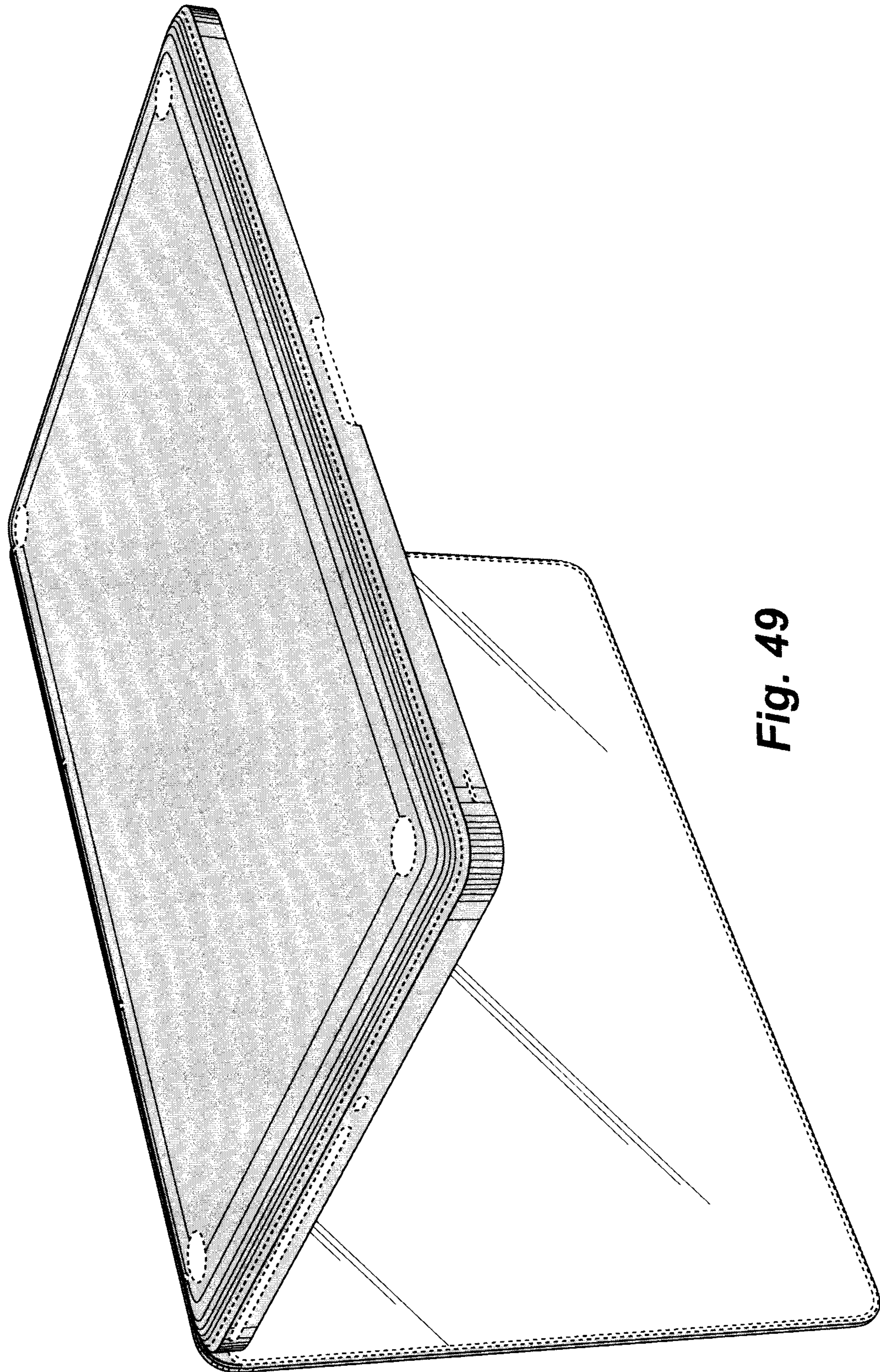


Fig. 49