



US00D604290S

(12) **United States Design Patent**
Andre et al.

(10) **Patent No.:** **US D604,290 S**
(45) **Date of Patent:** **** Nov. 17, 2009**

(54) **PORTABLE COMPUTER**

(75) Inventors: **Bartley K. Andre**, Menlo Park, CA (US); **Daniel J. Coster**, San Francisco, CA (US); **Daniele De Iuliis**, San Francisco, CA (US); **Evans Hankey**, San Francisco, CA (US); **Richard P. Howarth**, San Francisco, CA (US); **Jonathan P. Ive**, San Francisco, CA (US); **Steve Jobs**, Palo Alto, CA (US); **Duncan Robert Kerr**, San Francisco, CA (US); **Shin Nishibori**, Portola Valley, CA (US); **Matthew Dean Rohrbach**, San Francisco, CA (US); **Peter Russell-Clarke**, San Francisco, CA (US); **Douglas B. Satzger**, Menlo Park, CA (US); **Christopher J. Stringer**, Woodside, CA (US); **Eugene Antony Whang**, San Francisco, CA (US); **Rico Zorkendorfer**, San Francisco, CA (US)

(73) Assignee: **Apple Inc.**, Cupertino, CA (US)

(**) Term: **14 Years**

(21) Appl. No.: **29/326,082**

(22) Filed: **Oct. 10, 2008**

(51) **LOC (9) Cl.** **14-02**

(52) **U.S. Cl.** **D14/315**

(58) **Field of Classification Search** D14/315-327;
D18/1, 2, 7, 11; 235/145 A, 145 R; 341/22,
341/23; 345/156, 157, 168, 169, 173; 361/680-686,
361/679.27; 348/373; 715/783
See application file for complete search history.

(56) **References Cited**

U.S. PATENT DOCUMENTS

6,067,224 A * 5/2000 Nobuchi 361/679.27
D431,821 S * 10/2000 Mizuno D14/318
D463,797 S 10/2002 Andre et al.
D491,177 S 6/2004 Andre et al.
D493,785 S 8/2004 Andre et al.
D504,889 S 5/2005 Andre et al.
D517,063 S * 3/2006 Nakajima et al. D14/318
D523,429 S * 6/2006 Lin D14/318

D524,306 S * 7/2006 Yun et al. D14/315
D526,999 S * 8/2006 Tago D14/327
D533,550 S * 12/2006 Yamada D14/318
D558,752 S 1/2008 Andre et al.
D558,753 S 1/2008 Andre et al.
D571,364 S 6/2008 Andre et al.
D572,246 S * 7/2008 Andre et al. D14/315
D572,247 S * 7/2008 Andre et al. D14/315
D574,378 S * 8/2008 Andre et al. D14/315
2005/0018396 A1 * 1/2005 Nakajima et al. 361/683
2005/0041378 A1 * 2/2005 Hamada et al. 361/680

OTHER PUBLICATIONS

Photographs of Sony Vaio PCG-4G1L, available at least as early as May 8, 2006.

Apple MacBook Air, available Jan. 15, 2008, http://images.apple.com/macbookair/images/design_gal01_20080115.jpg.

Apple MacBook Air, available Jan. 15, 2008, http://images.apple.com/macbookair/images/design_gal02_20080115.jpg.

Apple MacBook Air, available Jan. 15, 2008, http://images.apple.com/macbookair/images/design_gal03_20080115.jpg.

Apple MacBook Air, available Jan. 15, 2008, http://images.apple.com/macbookair/images/design_gal04_20080115.jpg.

Apple MacBook Air, available Jan. 15, 2008, http://images.apple.com/macbookair/images/design_thinair20080115.jpg.

Apple MacBook Air, available Jan. 15, 2008, http://images.apple.com/macbookair/images/design_displayair20080115.jpg.

Apple MacBook Air, available Jan. 15, 2008, http://images.apple.com/macbookair/images/design_keyboardair20080115.jpg.

Apple MacBook Air, available Jan. 15, 2008, http://images.apple.com/macbookair/images/design_gal08_20080115.jpg.

* cited by examiner

Primary Examiner—Freda S Nunn

(74) *Attorney, Agent, or Firm*—Saidman DesignLaw Group

(57) **CLAIM**

The ornamental design for a portable computer, as shown and described.

DESCRIPTION

FIG. 1 is a front, top perspective view of a first embodiment showing our new design;

FIG. 2 is front view thereof;

FIG. 3 is a rear view thereof;

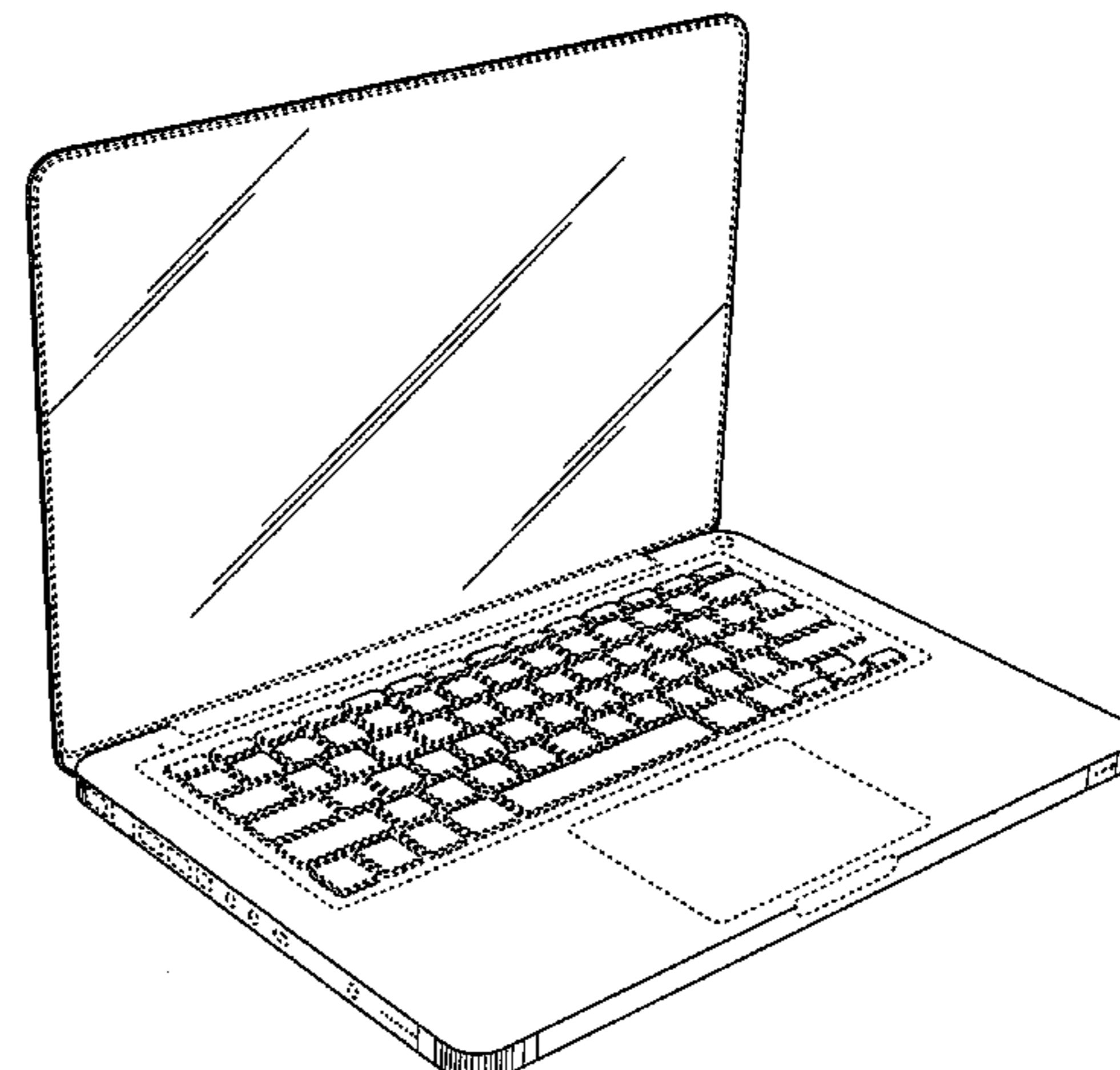
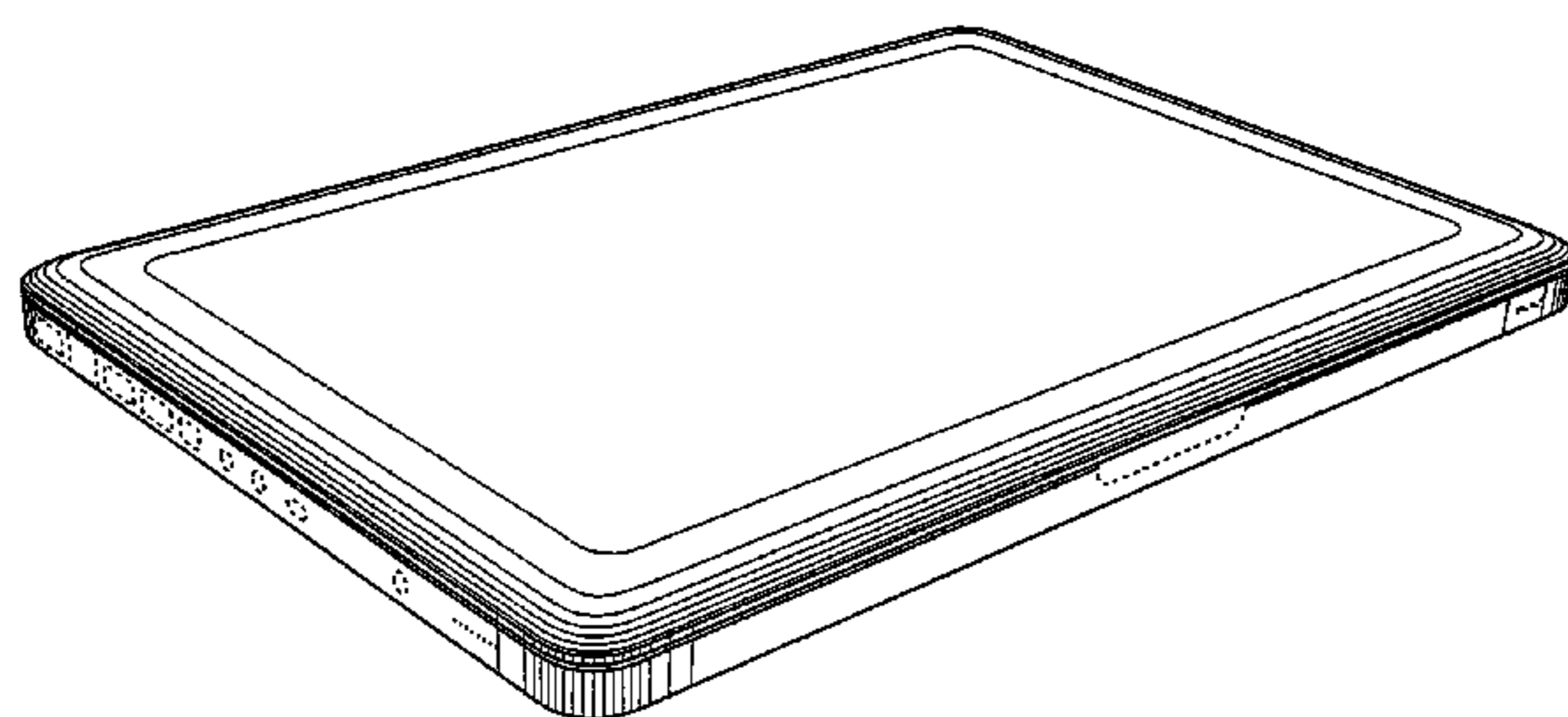


FIG. 4 is a left side view thereof;
FIG. 5 is a right side view thereof;
FIG. 6 is a top view thereof;
FIG. 7 is a bottom view thereof;
FIG. 8 is a bottom, front perspective view thereof;
FIG. 9 is a second bottom, front perspective view thereof with a latch in an open position;
FIG. 10 is an additional front, top perspective view thereof, with the portable computer shown in an open position;
FIG. 11 is a front view thereof;
FIG. 12 is a left rear view thereof;
FIG. 13 is a left side view thereof;
FIG. 14 is a right side view thereof;
FIG. 15 is a top view thereof;
FIG. 16 is a bottom view thereof;
FIG. 17 is a front, bottom perspective view thereof;
FIG. 18 is a front, top perspective view of a second embodiment showing our new design;
FIG. 19 is front view thereof;
FIG. 20 is a rear view thereof;
FIG. 21 is a left side view thereof;
FIG. 22 is a right side view thereof;
FIG. 23 is a top view thereof;
FIG. 24 is a bottom view thereof;
FIG. 25 is a bottom, front perspective view thereof;
FIG. 26 is an additional front, top perspective view thereof, with the portable computer shown in an open position;
FIG. 27 is a front view thereof;
FIG. 28 is a left rear view thereof;
FIG. 29 is a left side view thereof;
FIG. 30 is a right side view thereof;

FIG. 31 is a top view thereof;
FIG. 32 is a bottom view thereof;
FIG. 33 is a front, bottom perspective view thereof;
FIG. 34 is a front, top perspective view of a third embodiment showing our new design;
FIG. 35 is front view thereof;
FIG. 36 is a rear view thereof;
FIG. 37 is a left side view thereof;
FIG. 38 is a right side view thereof;
FIG. 39 is a top view thereof;
FIG. 40 is a bottom view thereof;
FIG. 41 is a bottom, front perspective view thereof;
FIG. 42 is an additional front, top perspective view thereof, with the portable computer shown in an open position;
FIG. 43 is a front view thereof;
FIG. 44 is a left rear view thereof;
FIG. 45 is a left side view thereof;
FIG. 46 is a right side view thereof;
FIG. 47 is a top view thereof;
FIG. 48 is a bottom view thereof; and,
FIG. 49 is an additional front, bottom perspective view thereof.

The claimed design is shown in relatively bold lines. The relatively thin shade lines show contour and not surface ornamentation. The parallel diagonal shade lines represent a translucent surface. The broken lines are environmental and form no part of the claimed design. The inventors contemplate that other embodiments of their design may include any part, portion, element, or combination of elements of the claimed design.

1 Claim, 40 Drawing Sheets

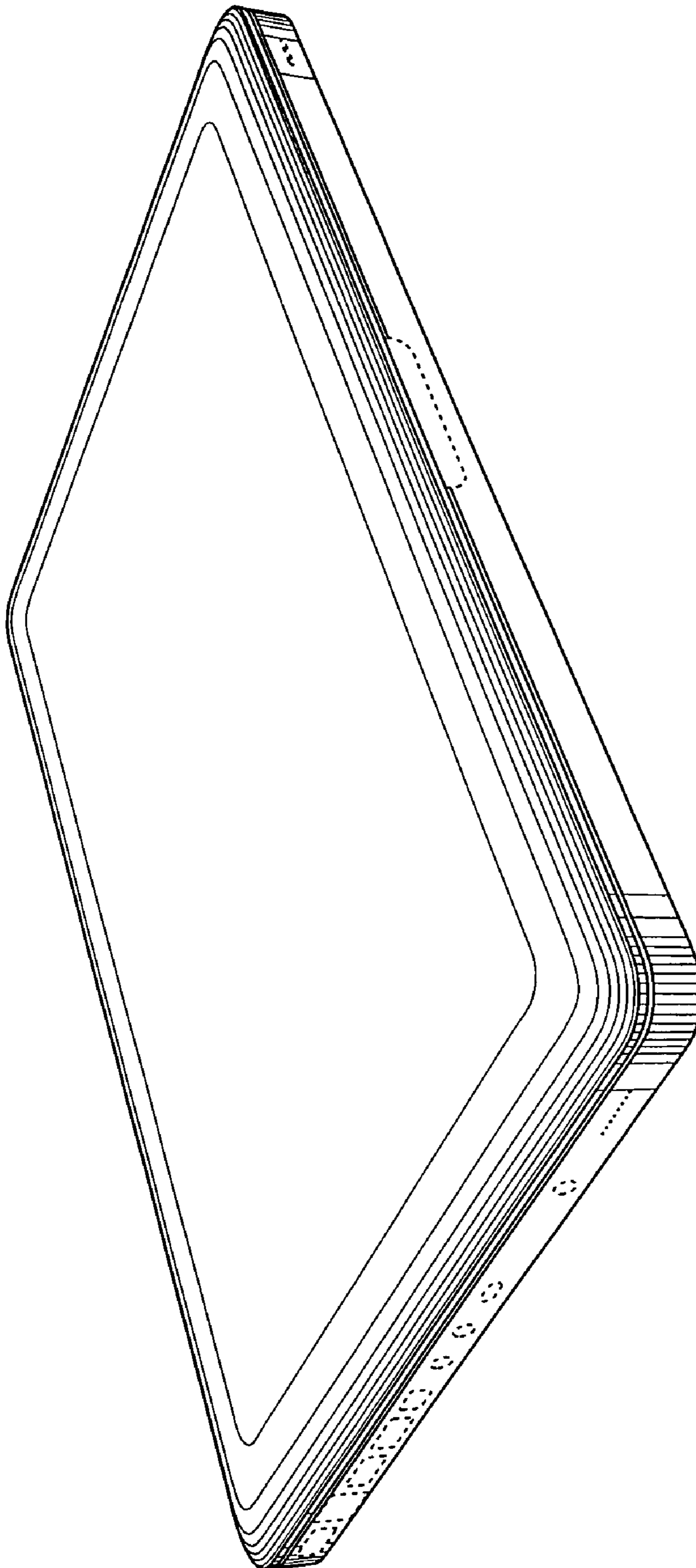


Fig. 1

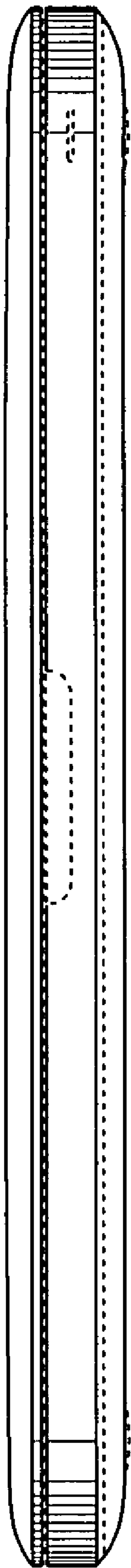


Fig. 2

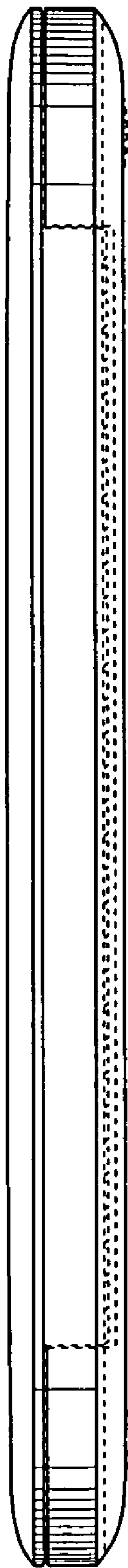


Fig. 3

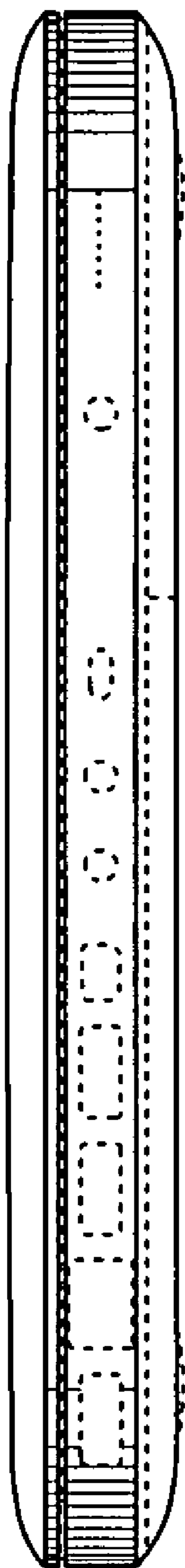


Fig. 4

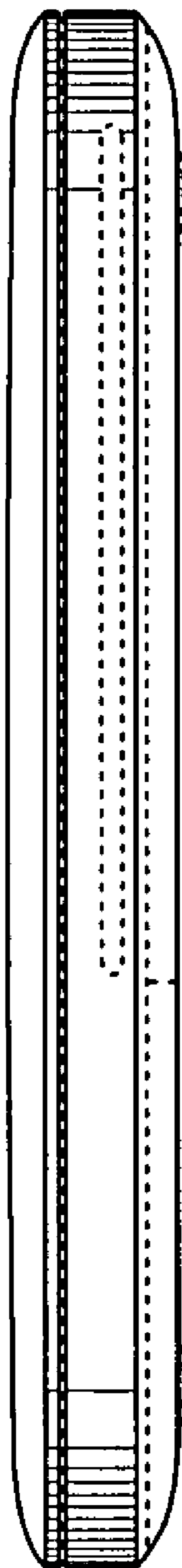


Fig. 5

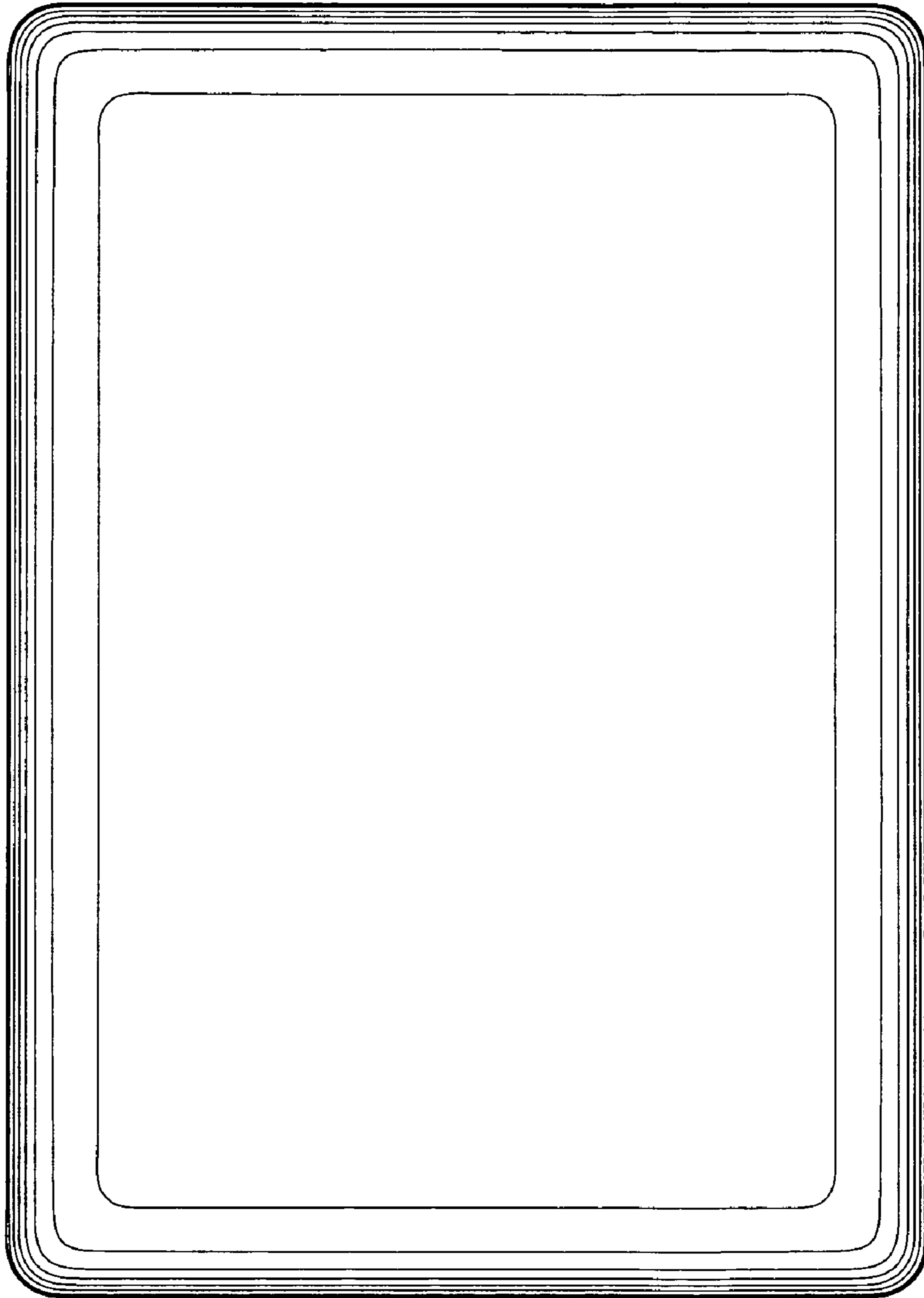


Fig. 6

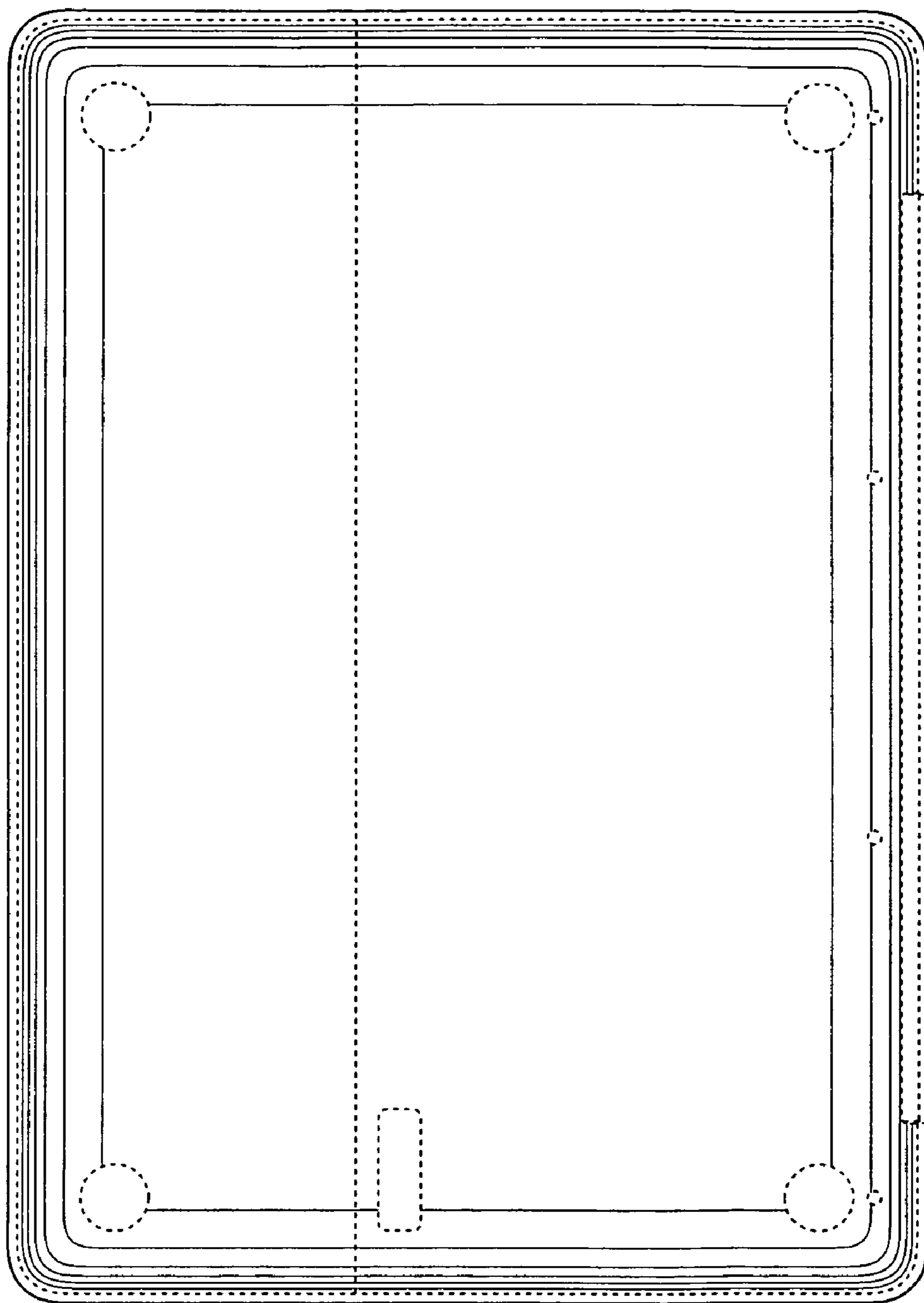


Fig. 7

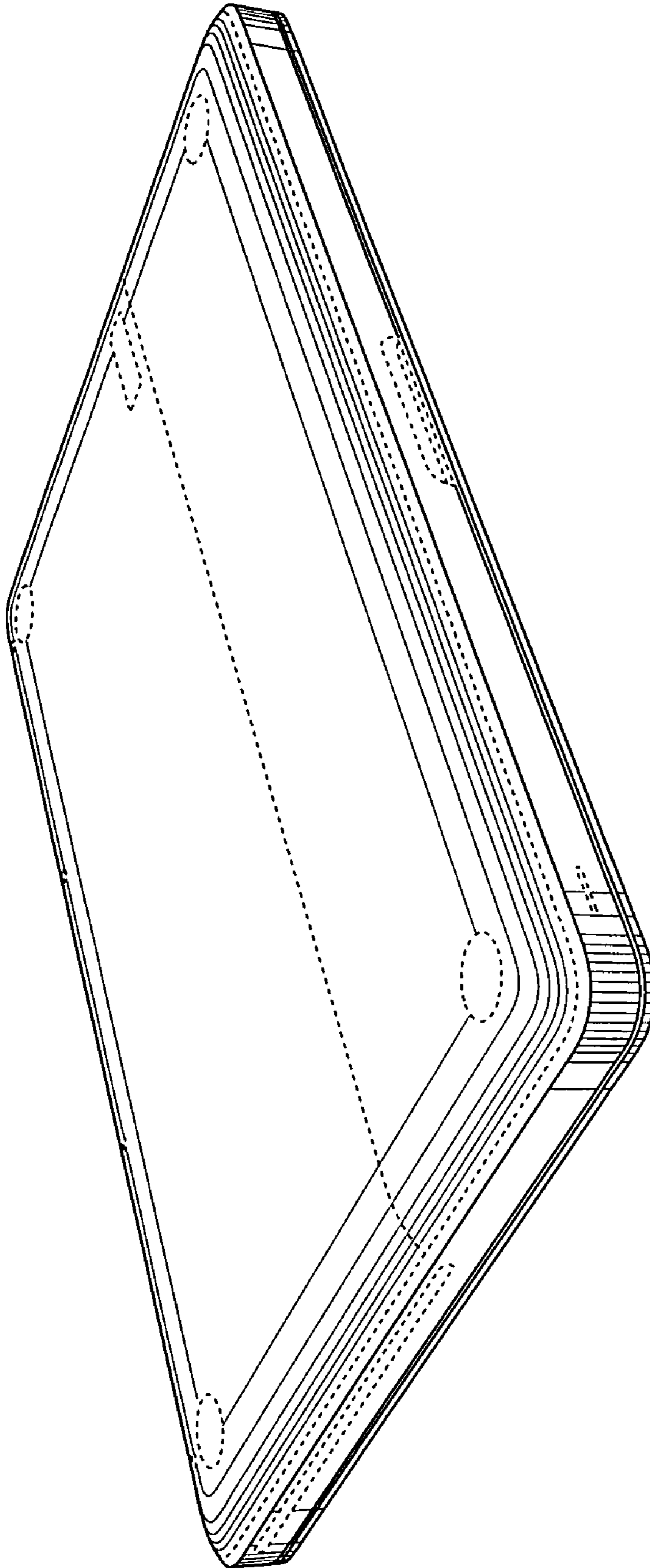


Fig. 8

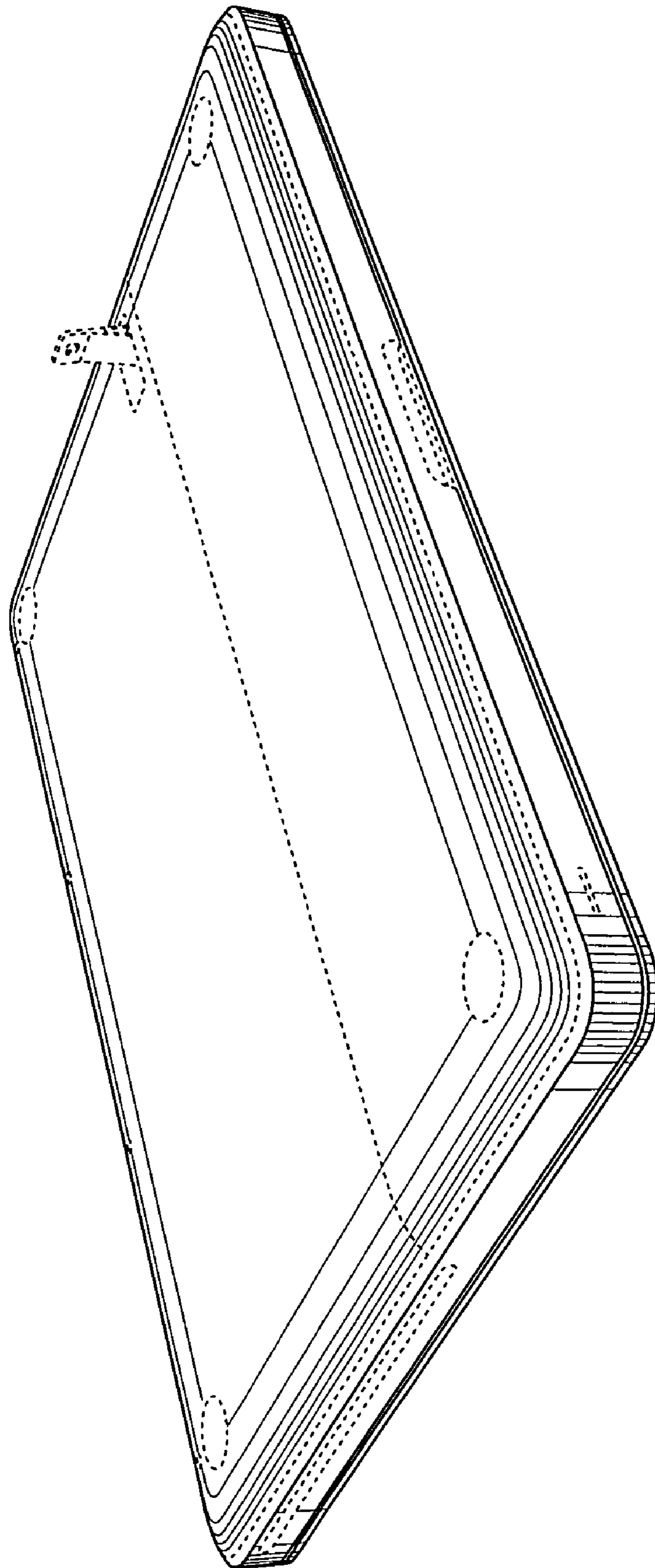


Fig. 9

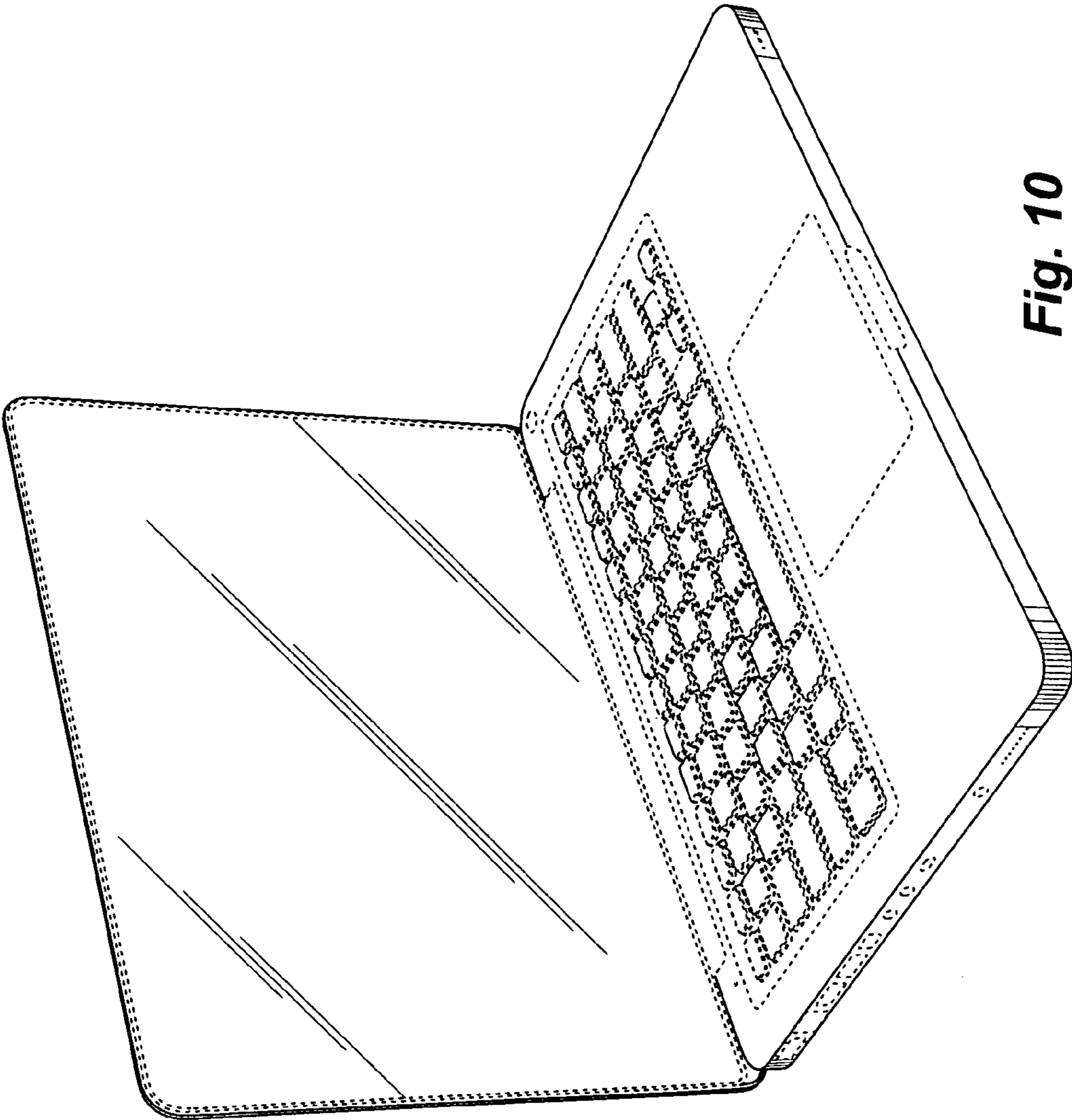


Fig. 10

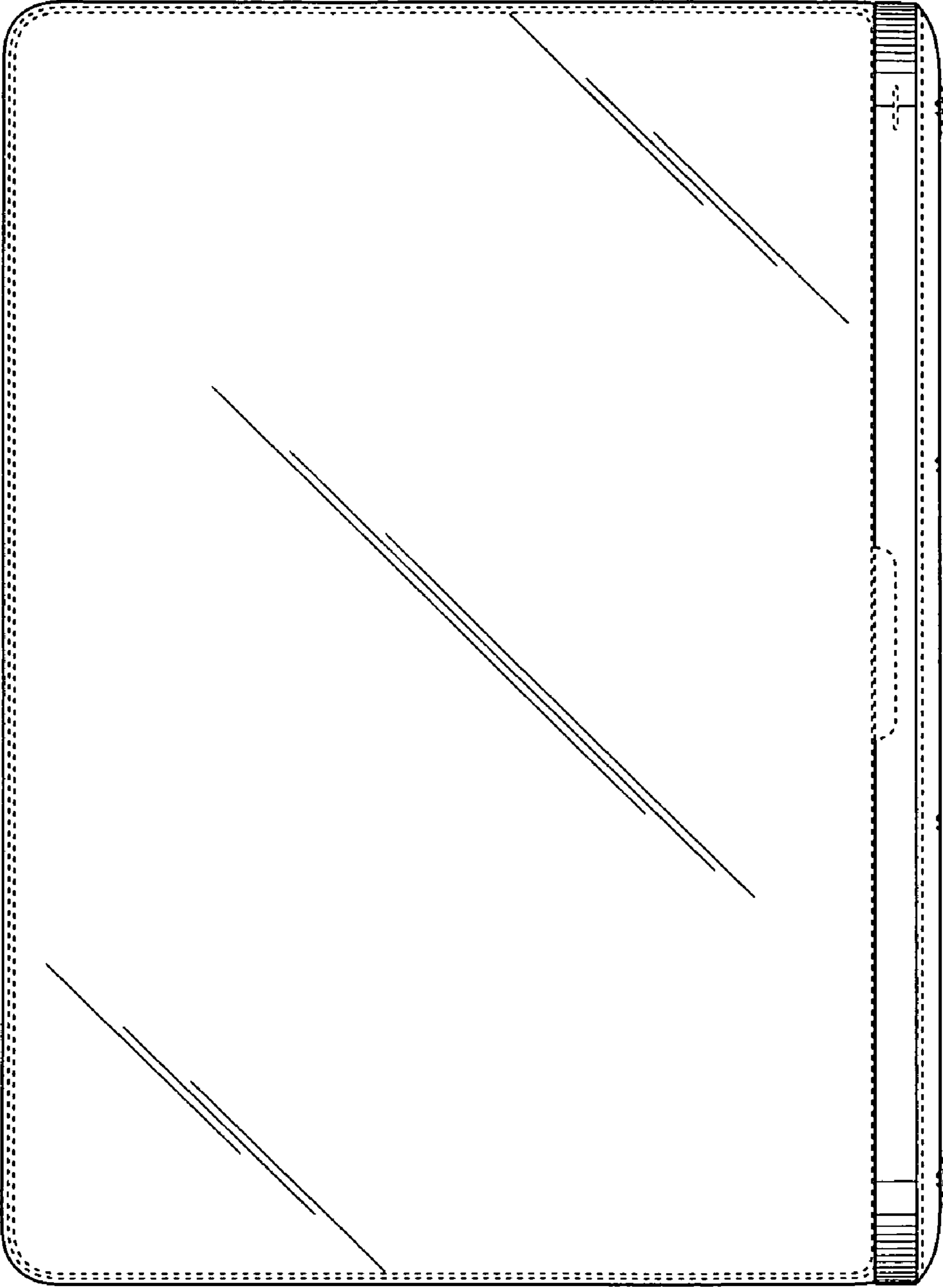


Fig. 11

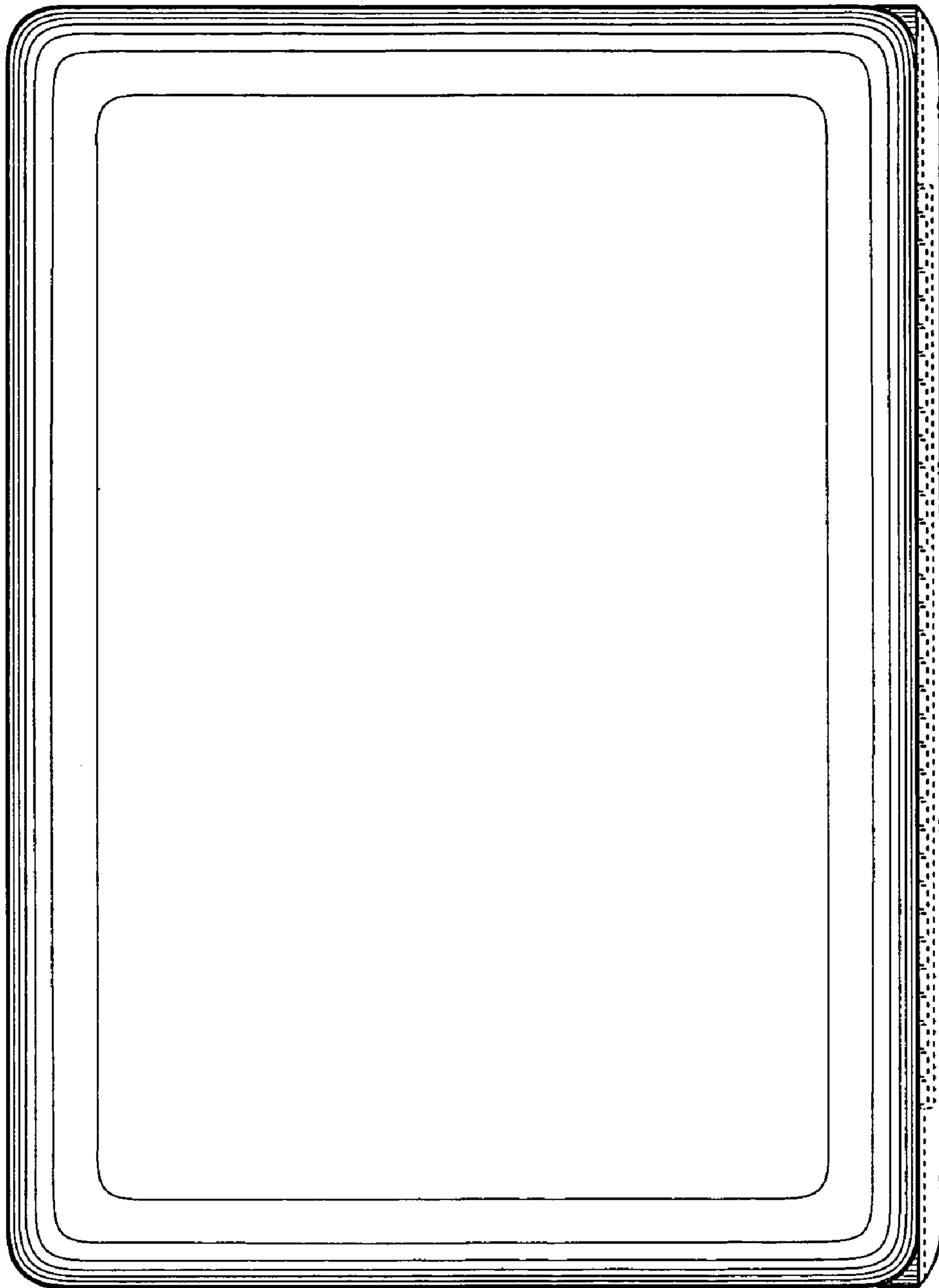


Fig. 12

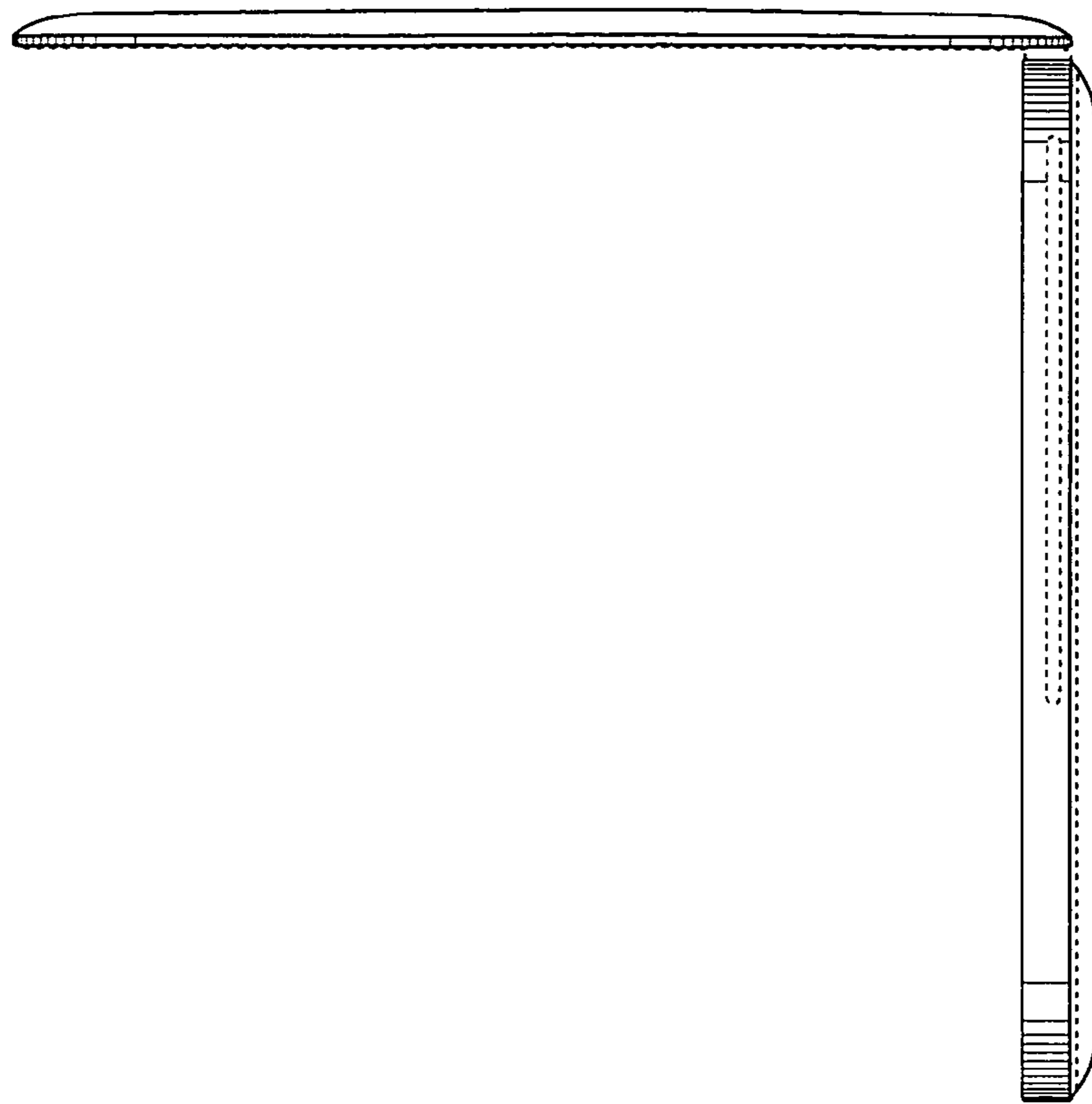


Fig. 14

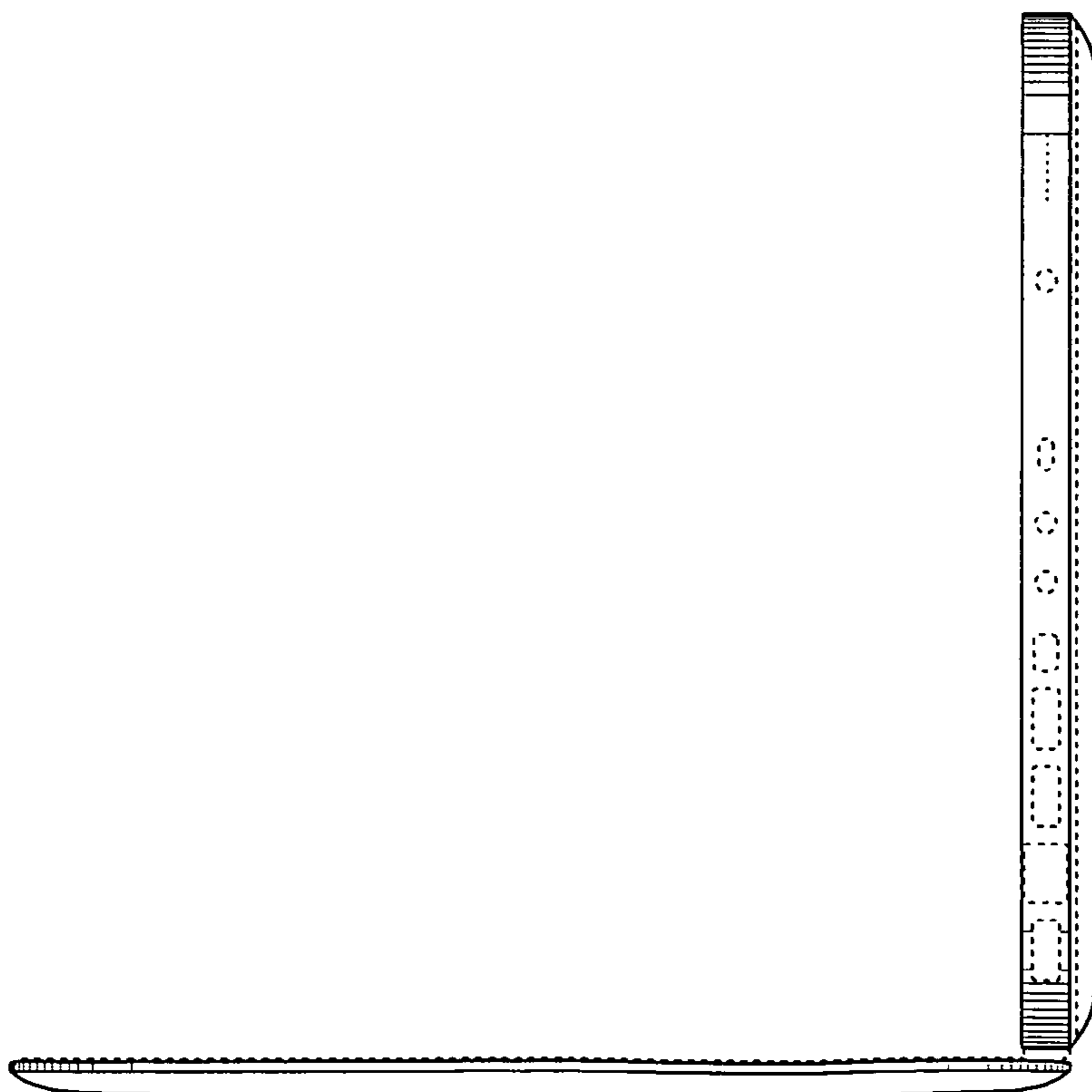


Fig. 13

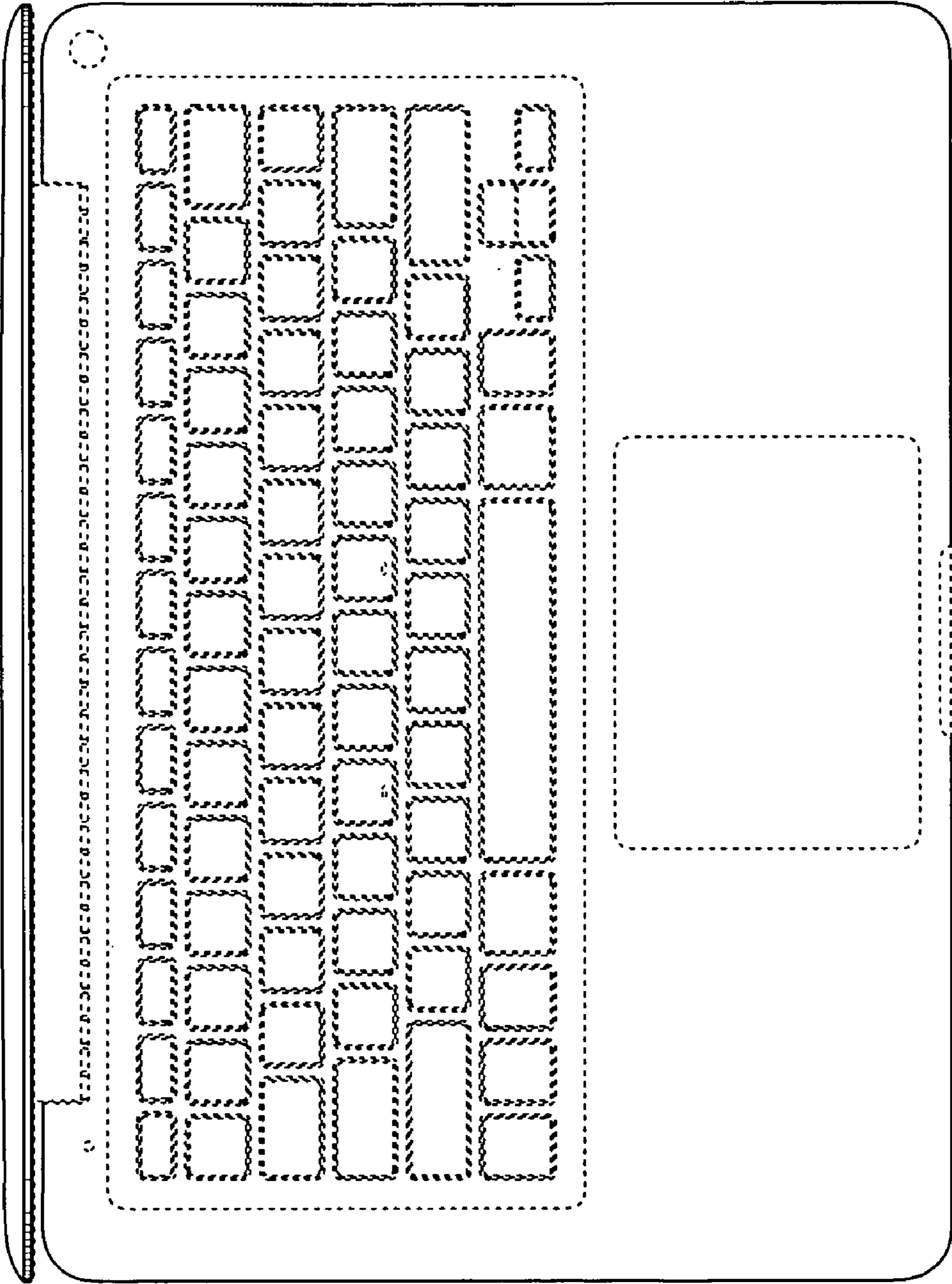


Fig. 15

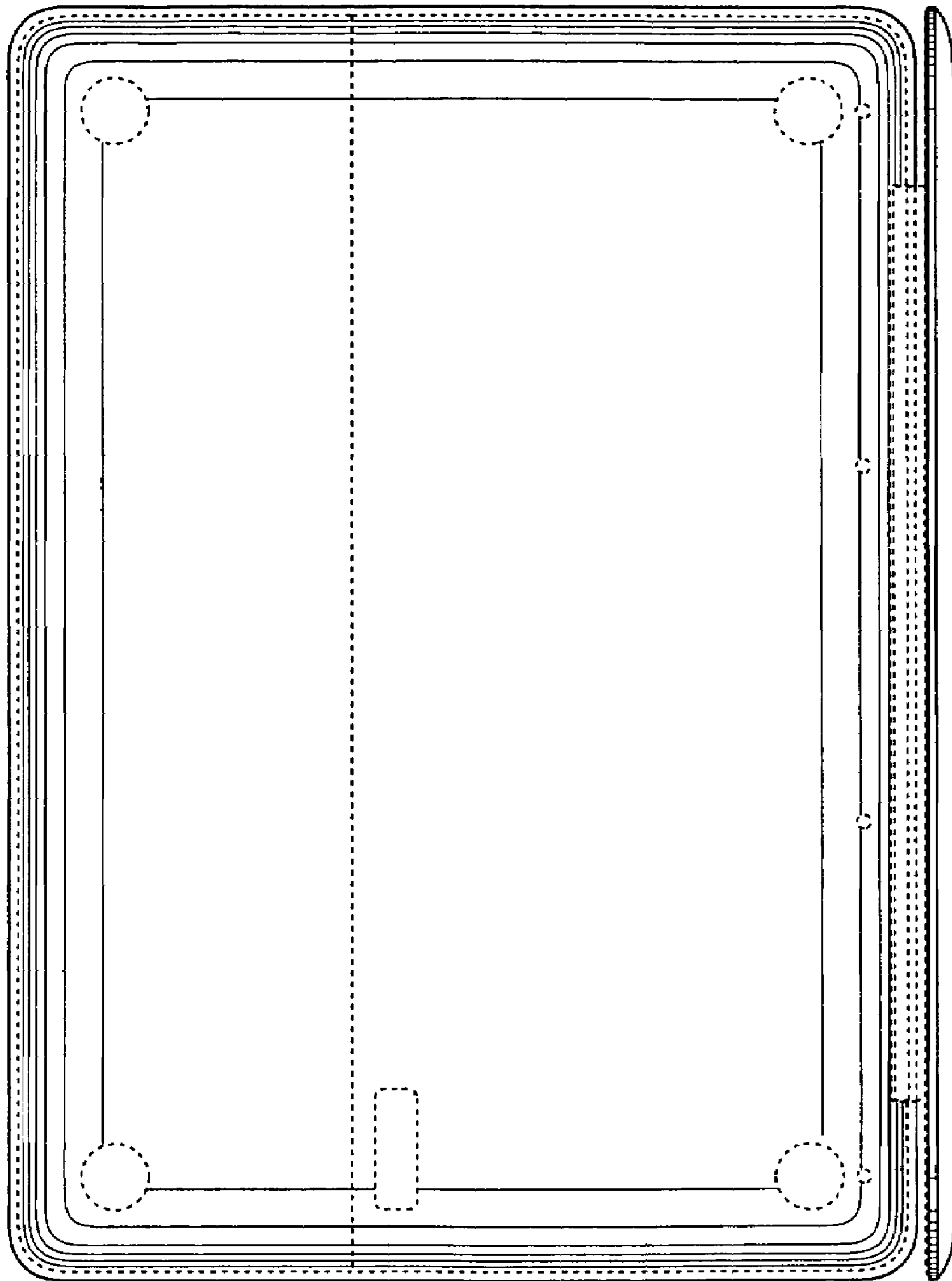


Fig. 16

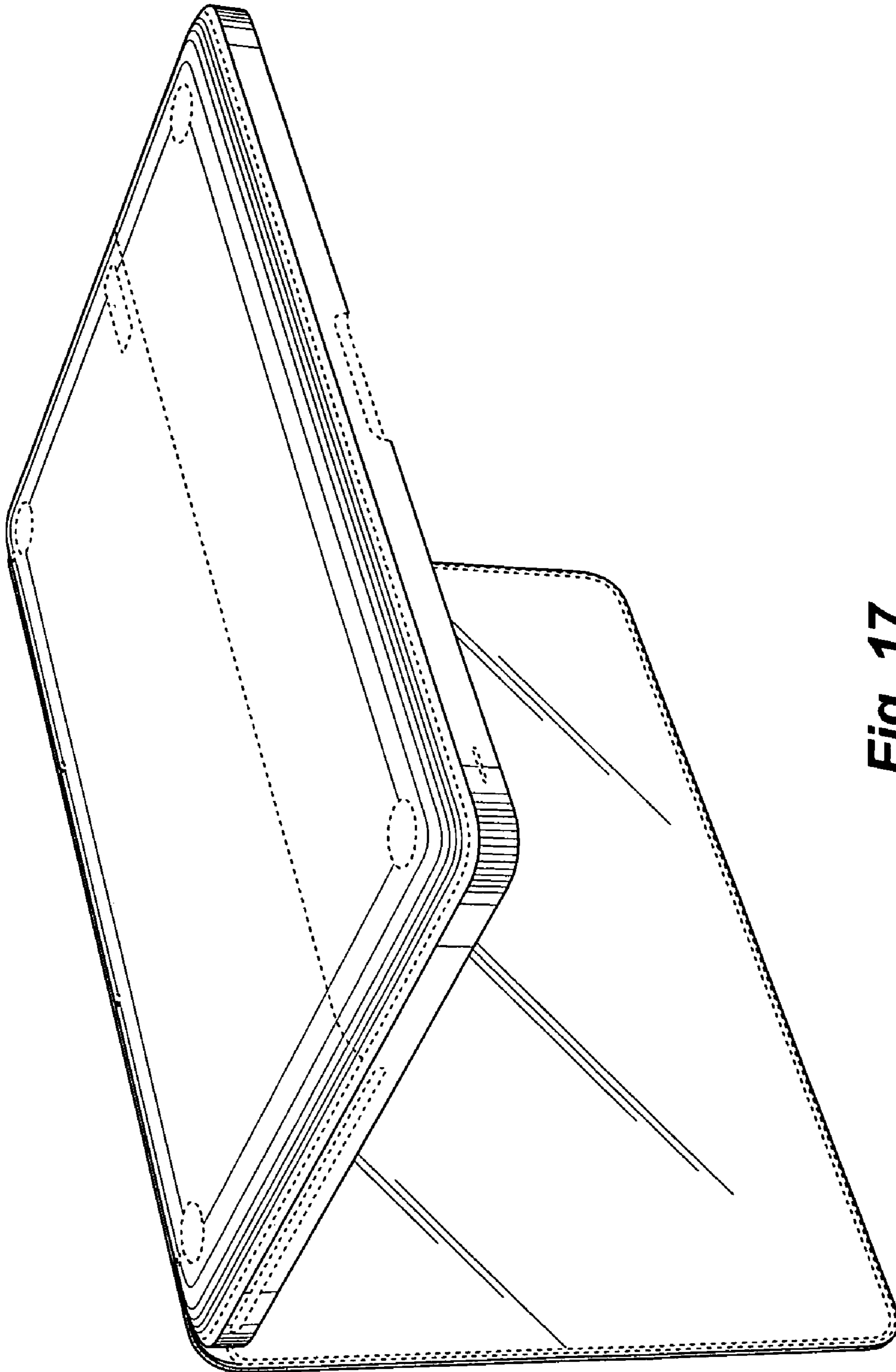


Fig. 17

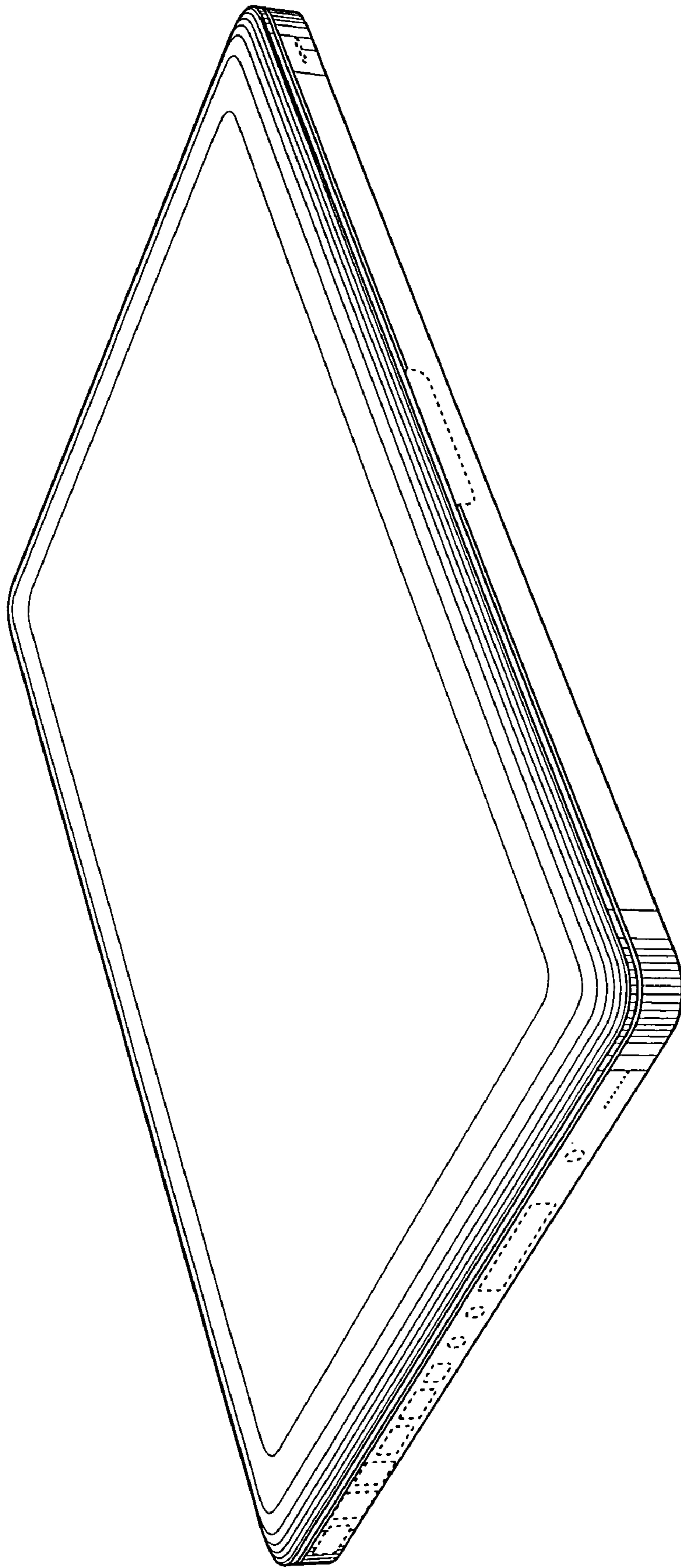


Fig. 18

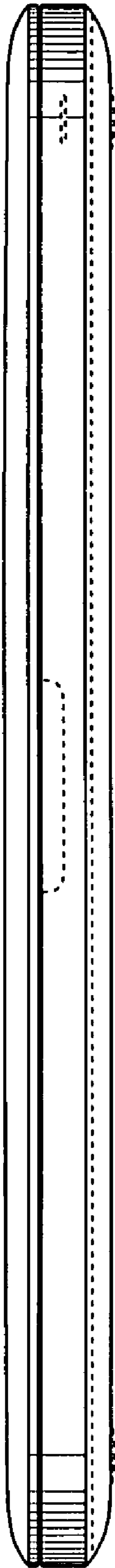


Fig. 19

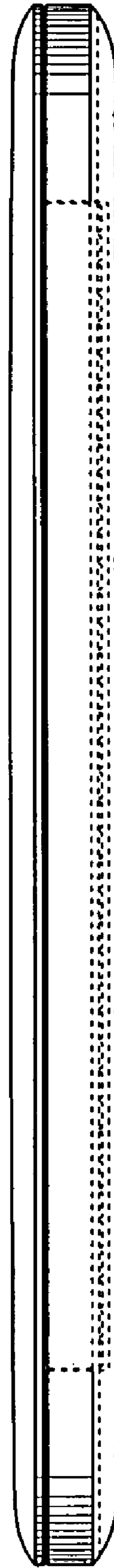


Fig. 20

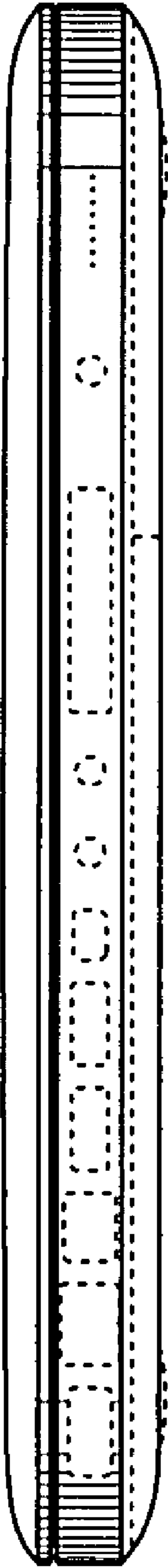


Fig. 21



Fig. 22

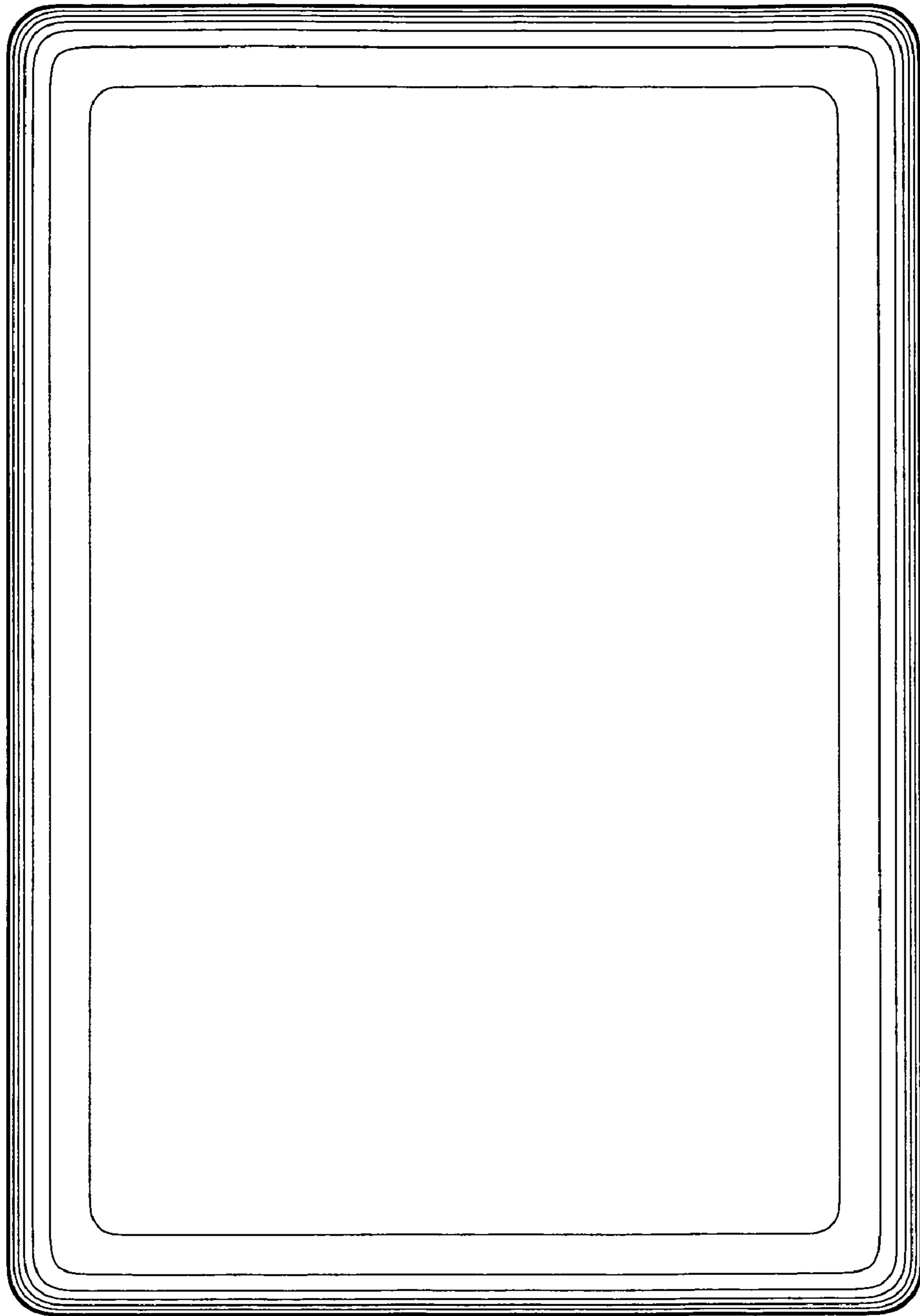


Fig. 23

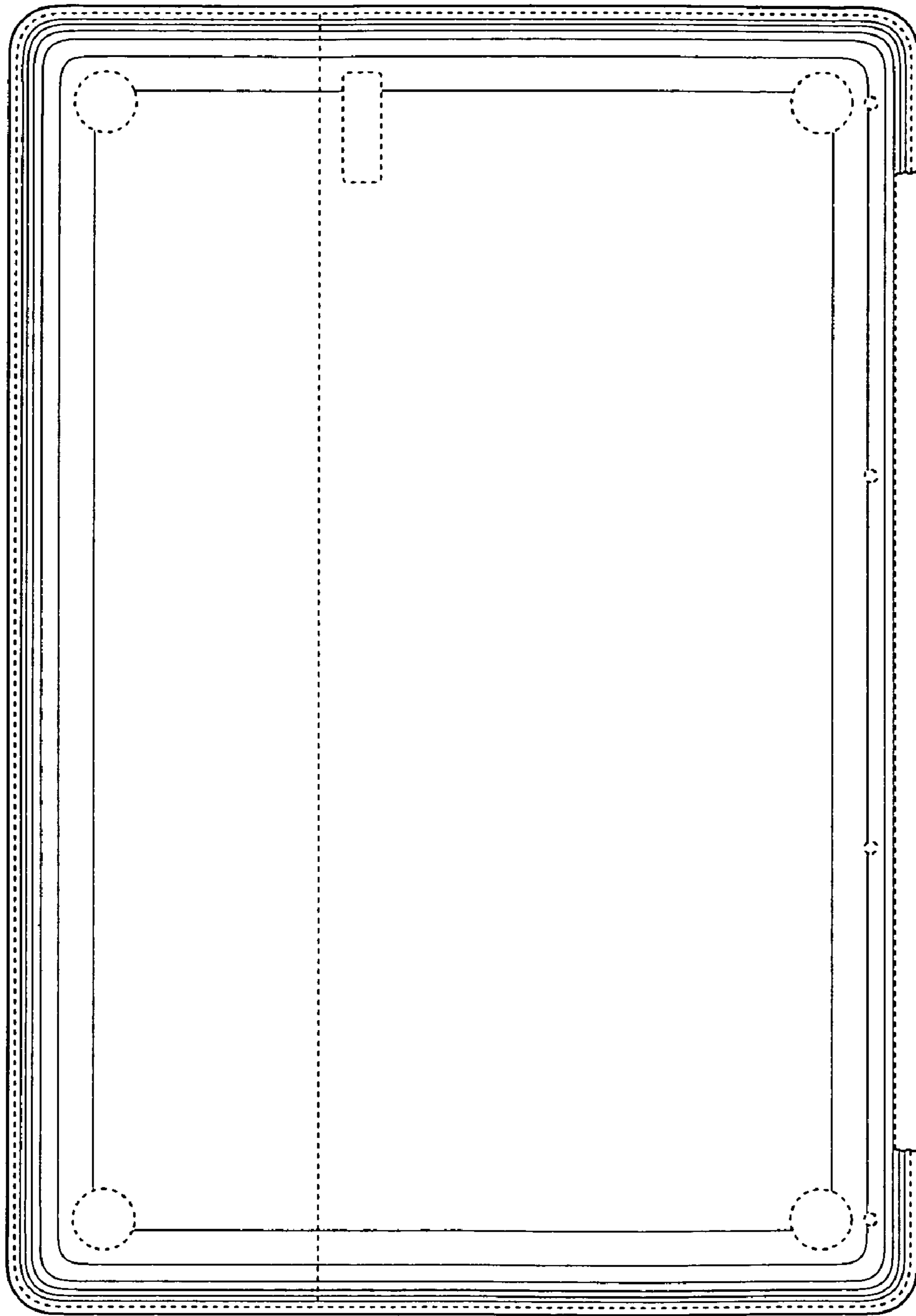


Fig. 24

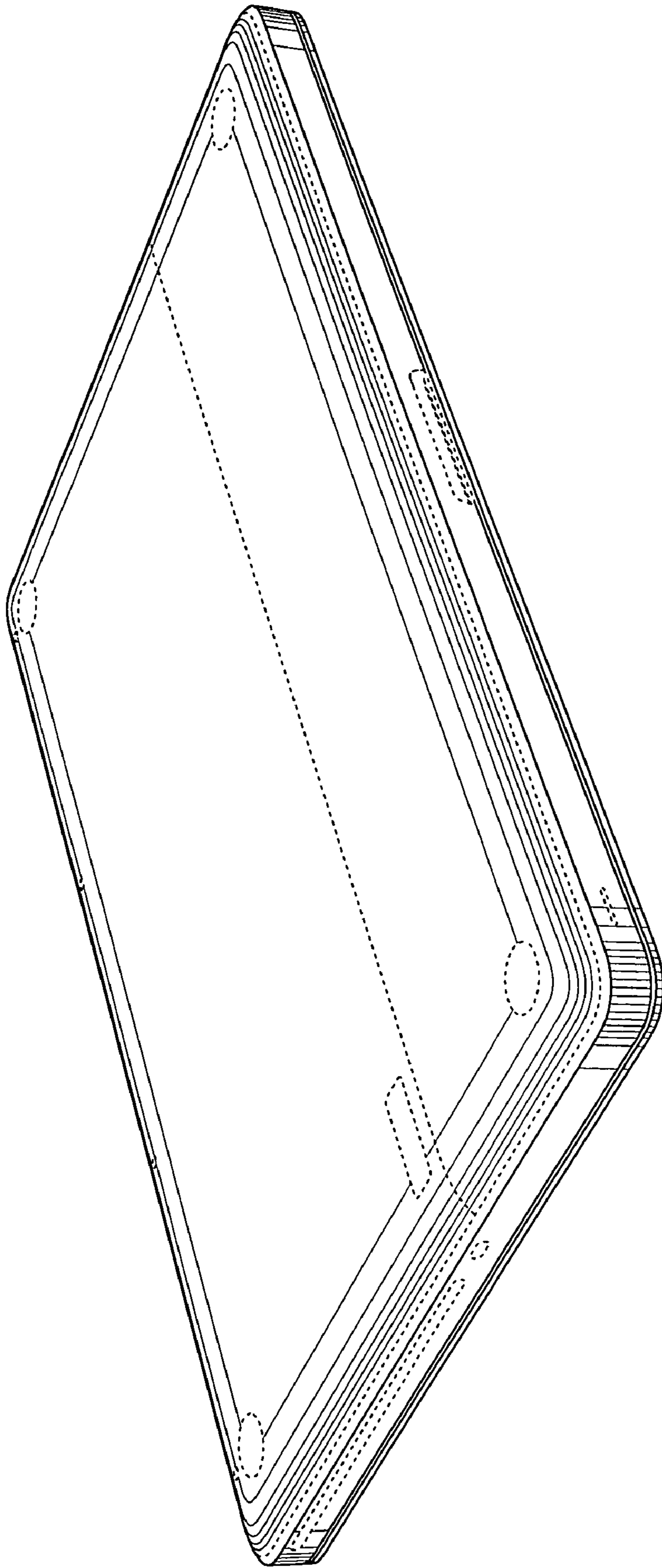


Fig. 25

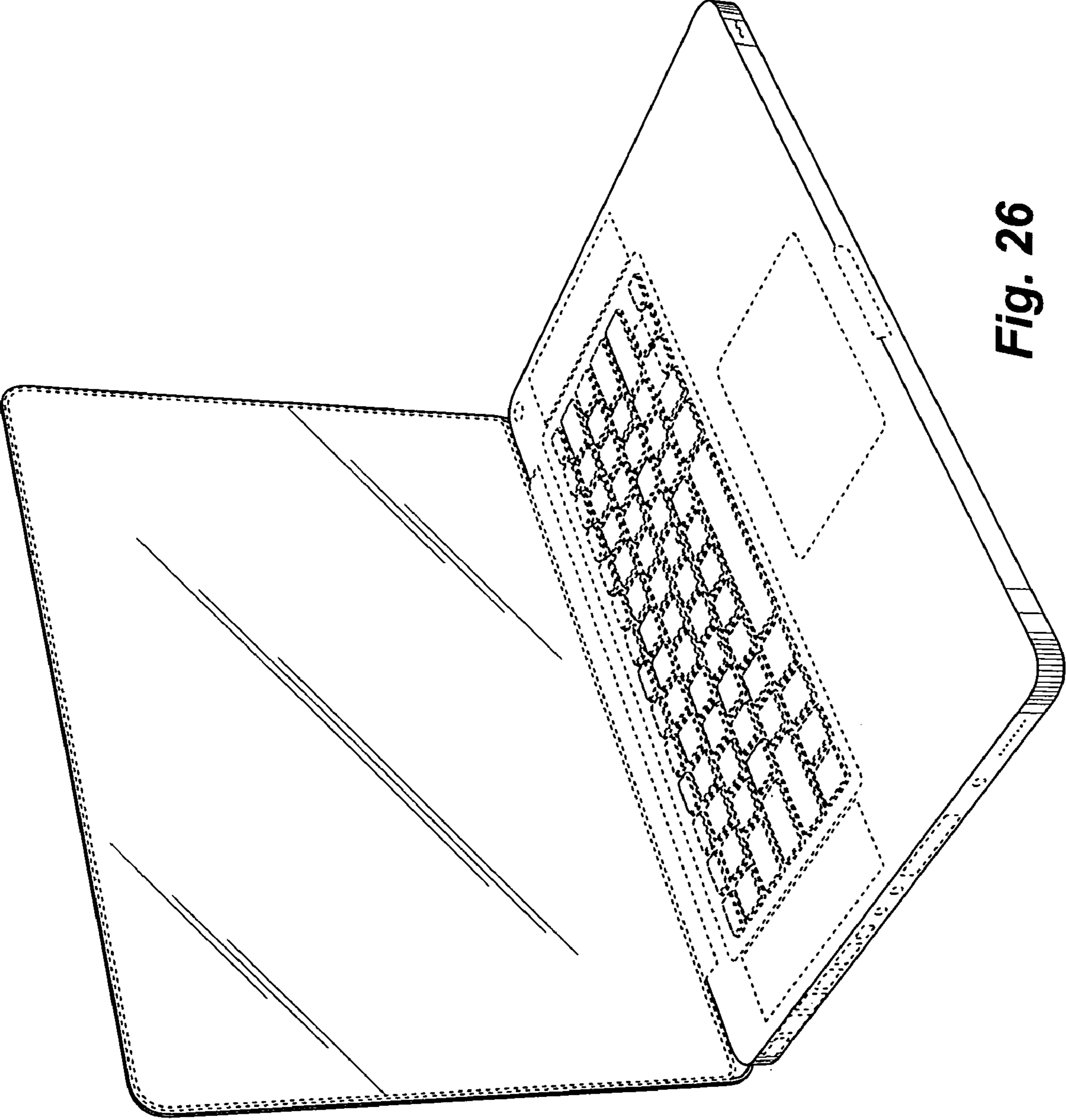


Fig. 26

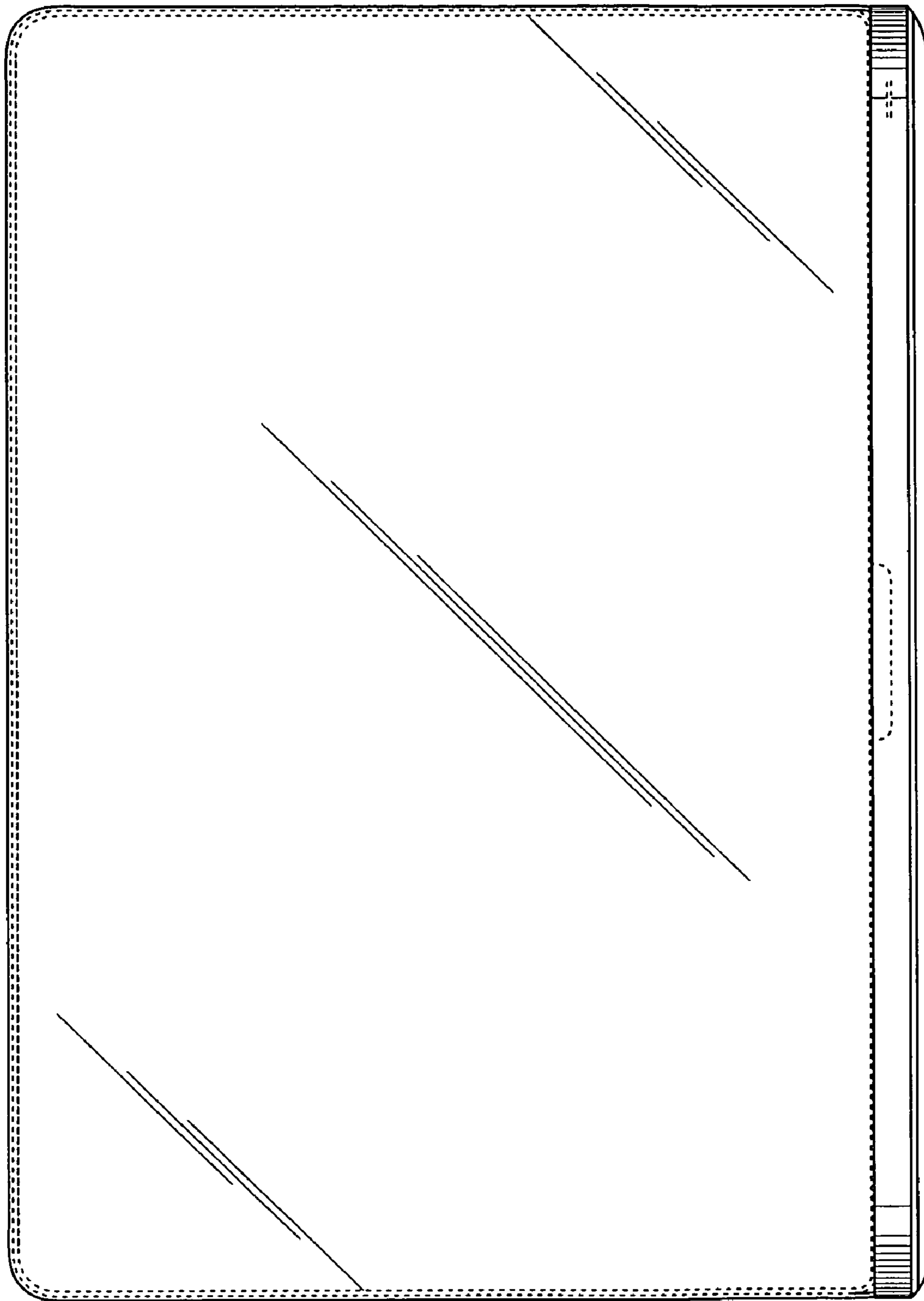


Fig. 27

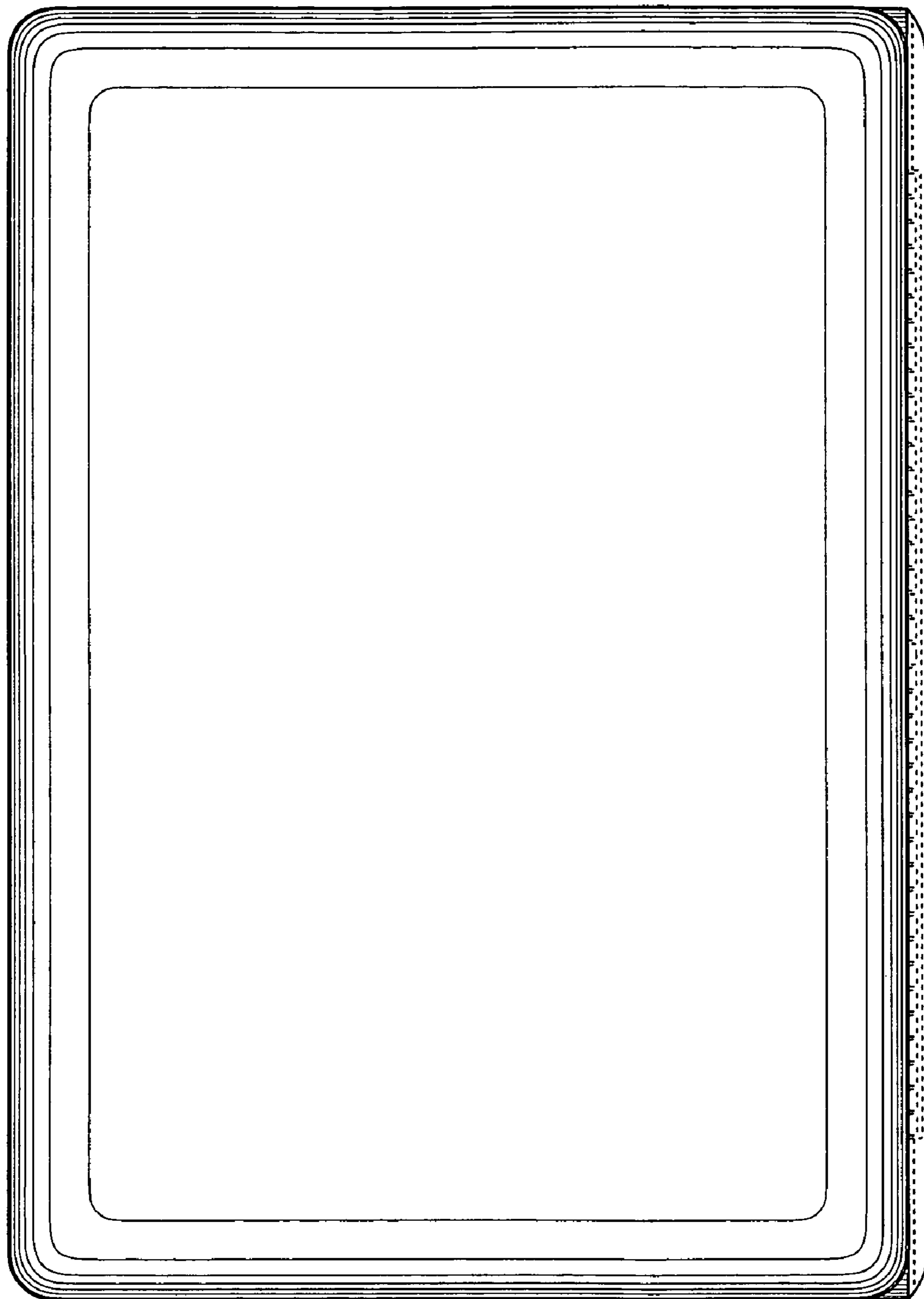


Fig. 28

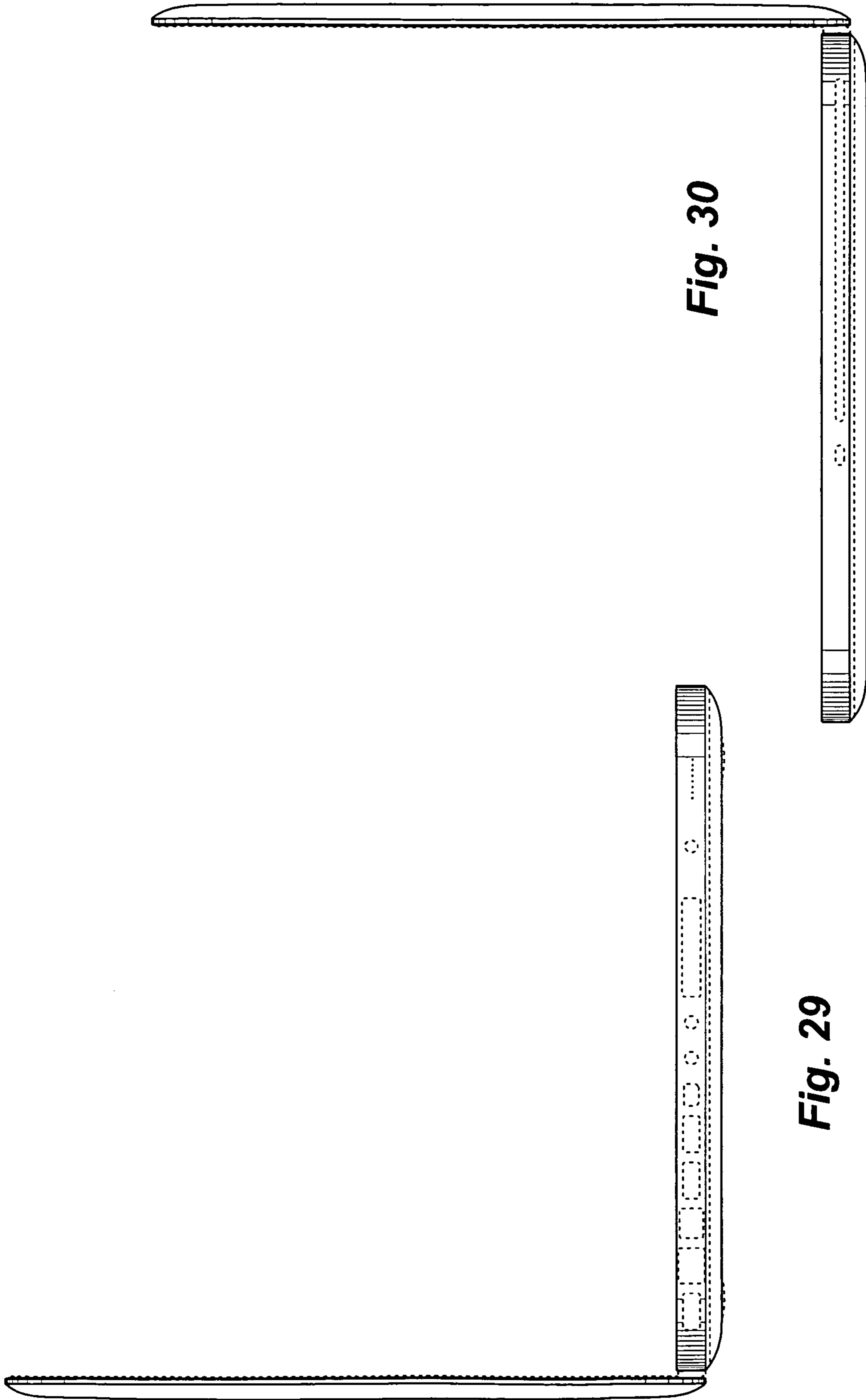


Fig. 30

Fig. 29

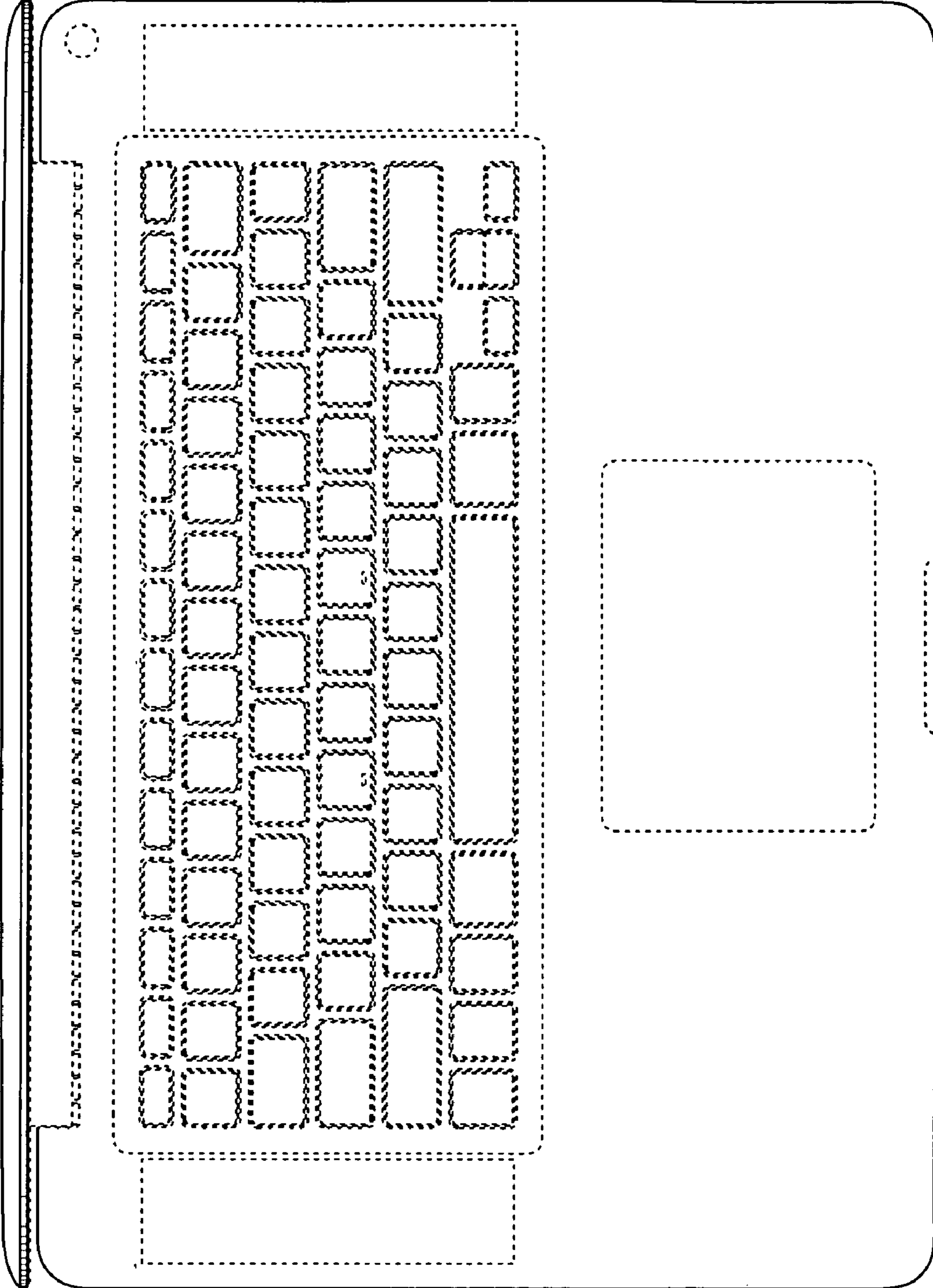


Fig. 31

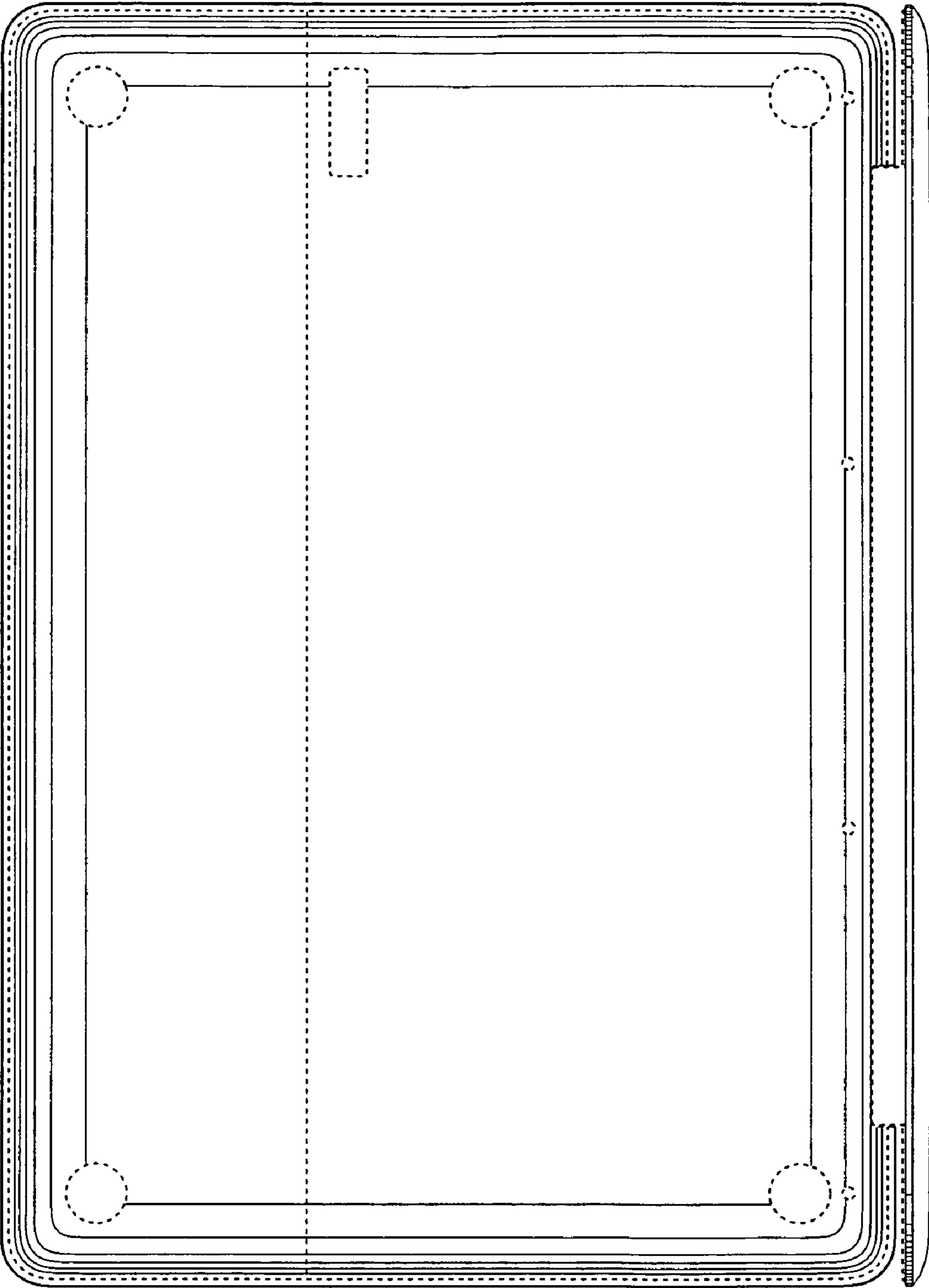


Fig. 32

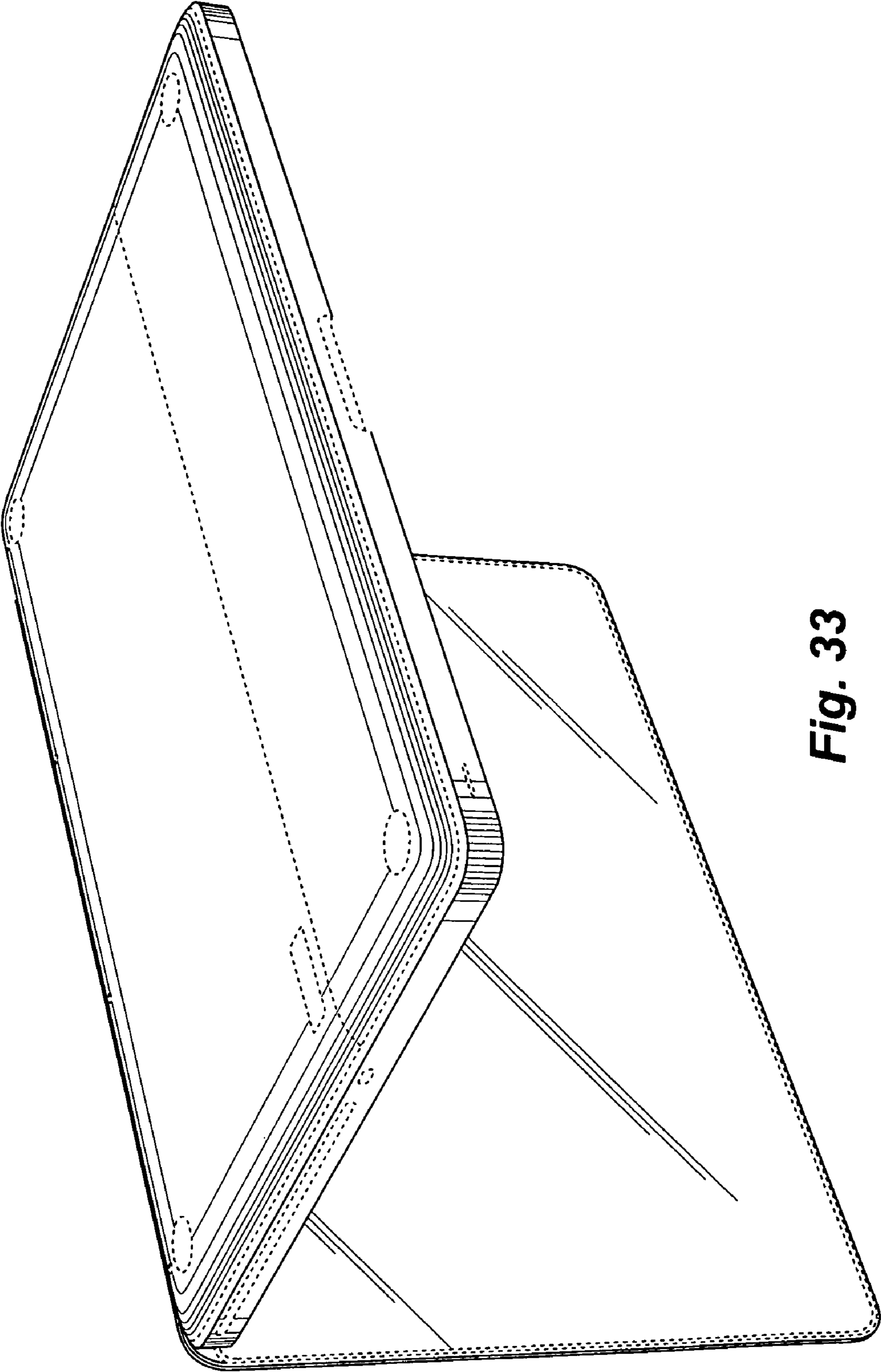


Fig. 33

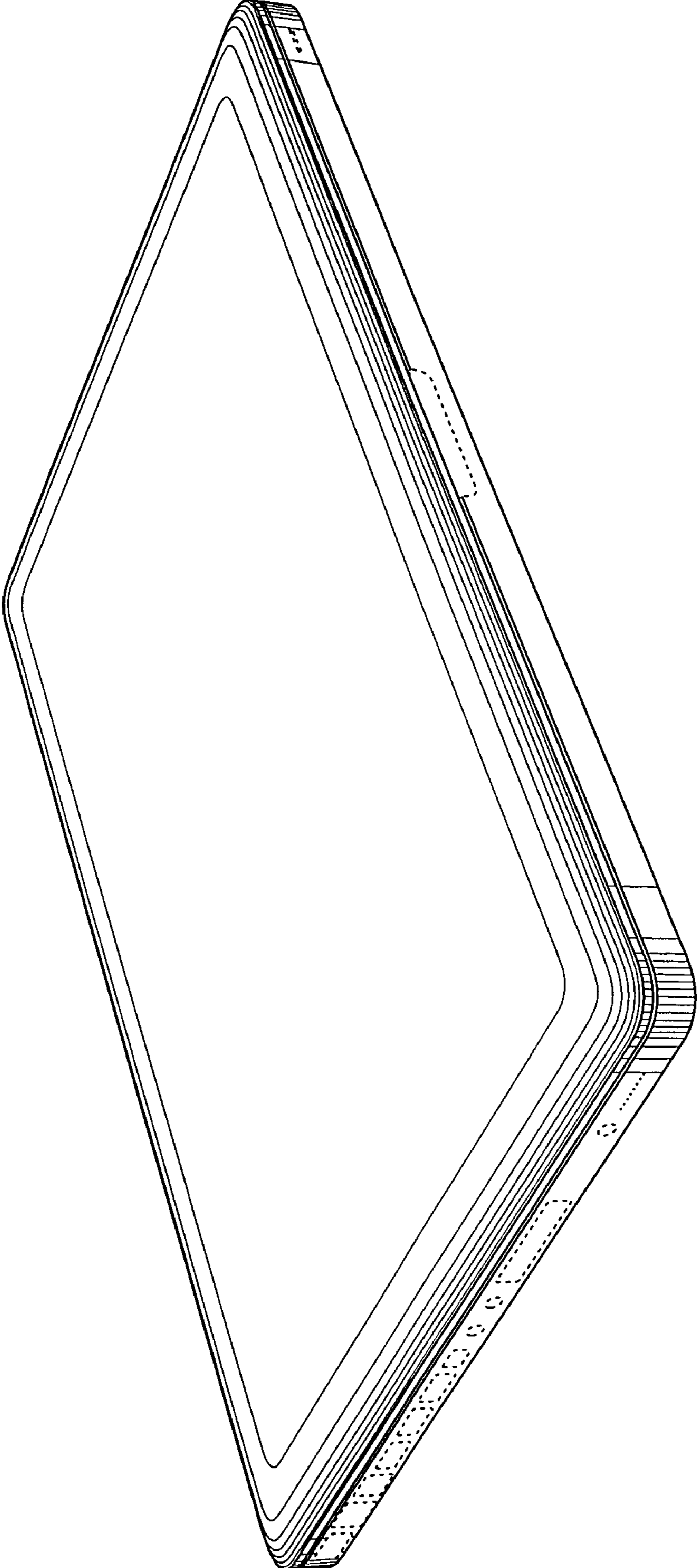


Fig. 34

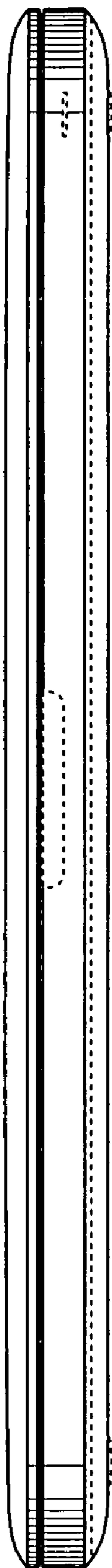


Fig. 35

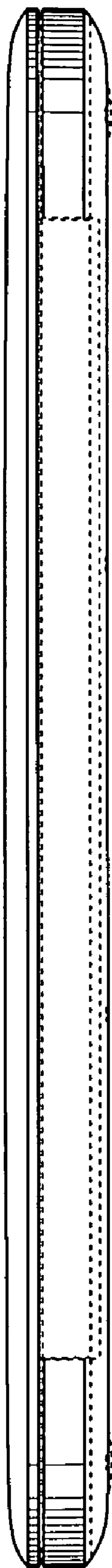


Fig. 36

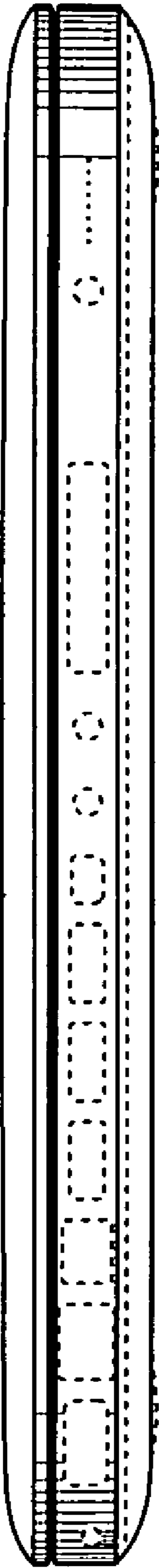


Fig. 37

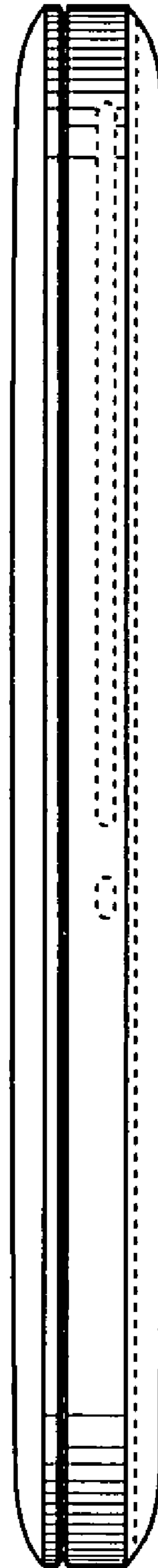


Fig. 38

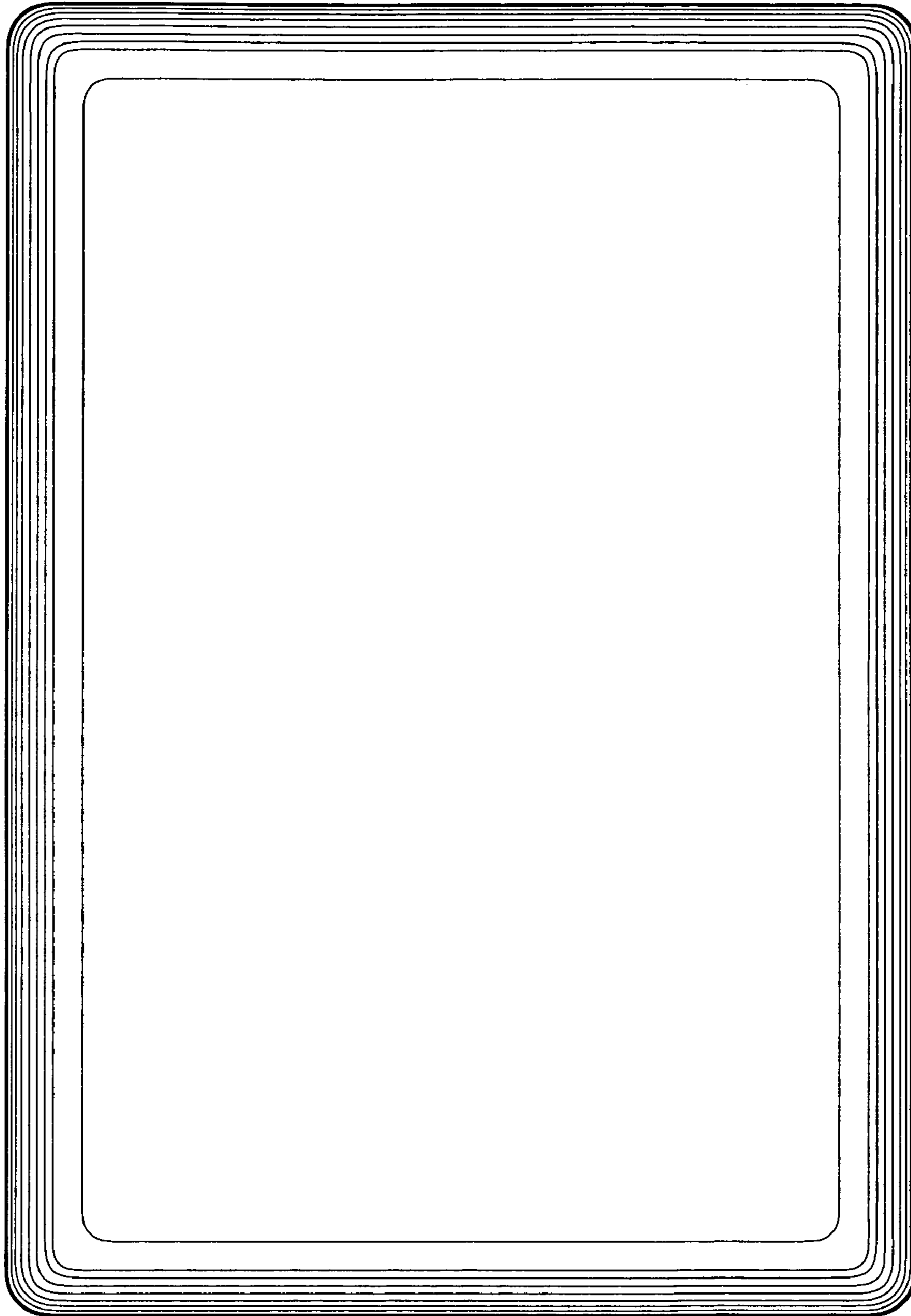


Fig. 39

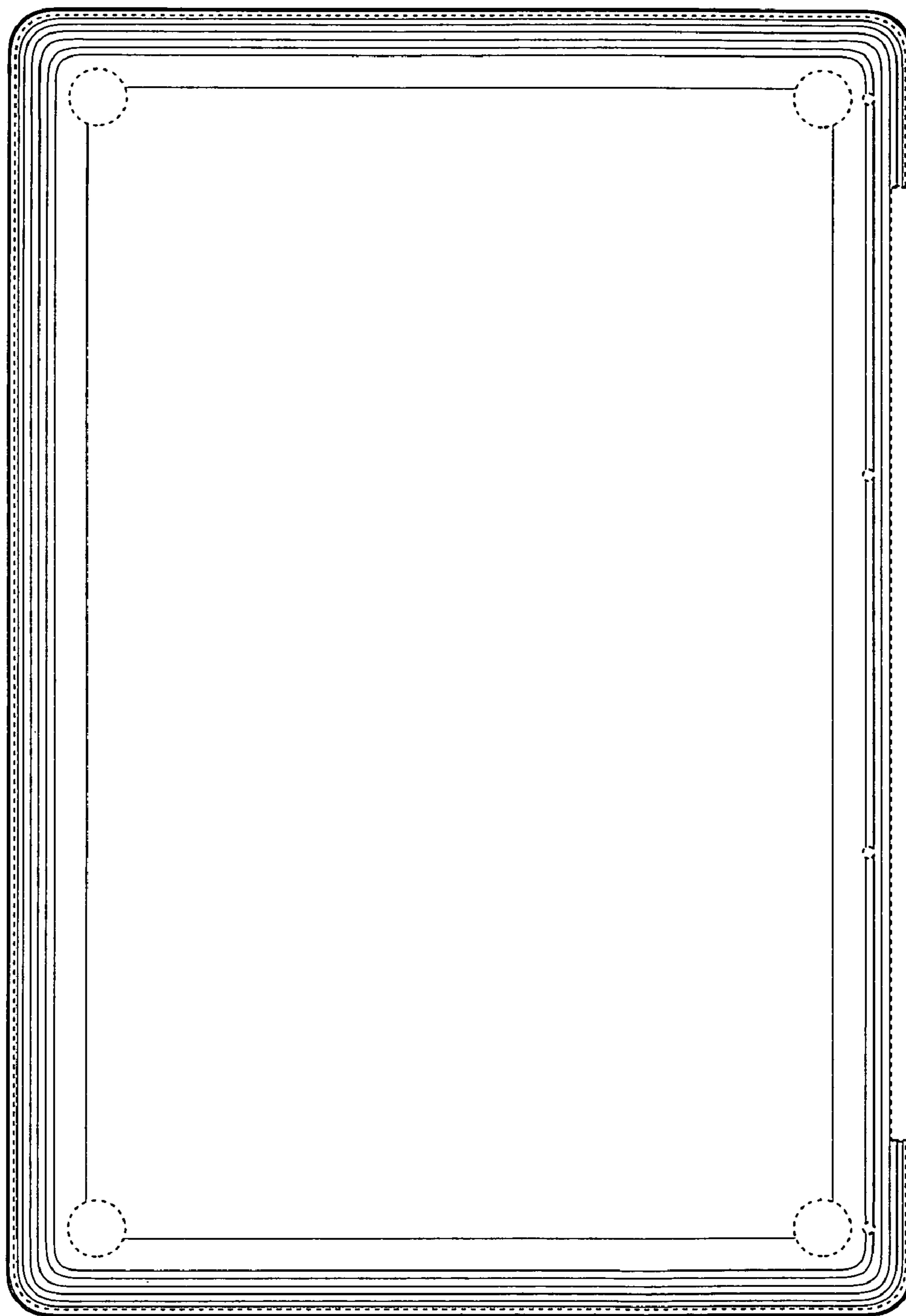


Fig. 40

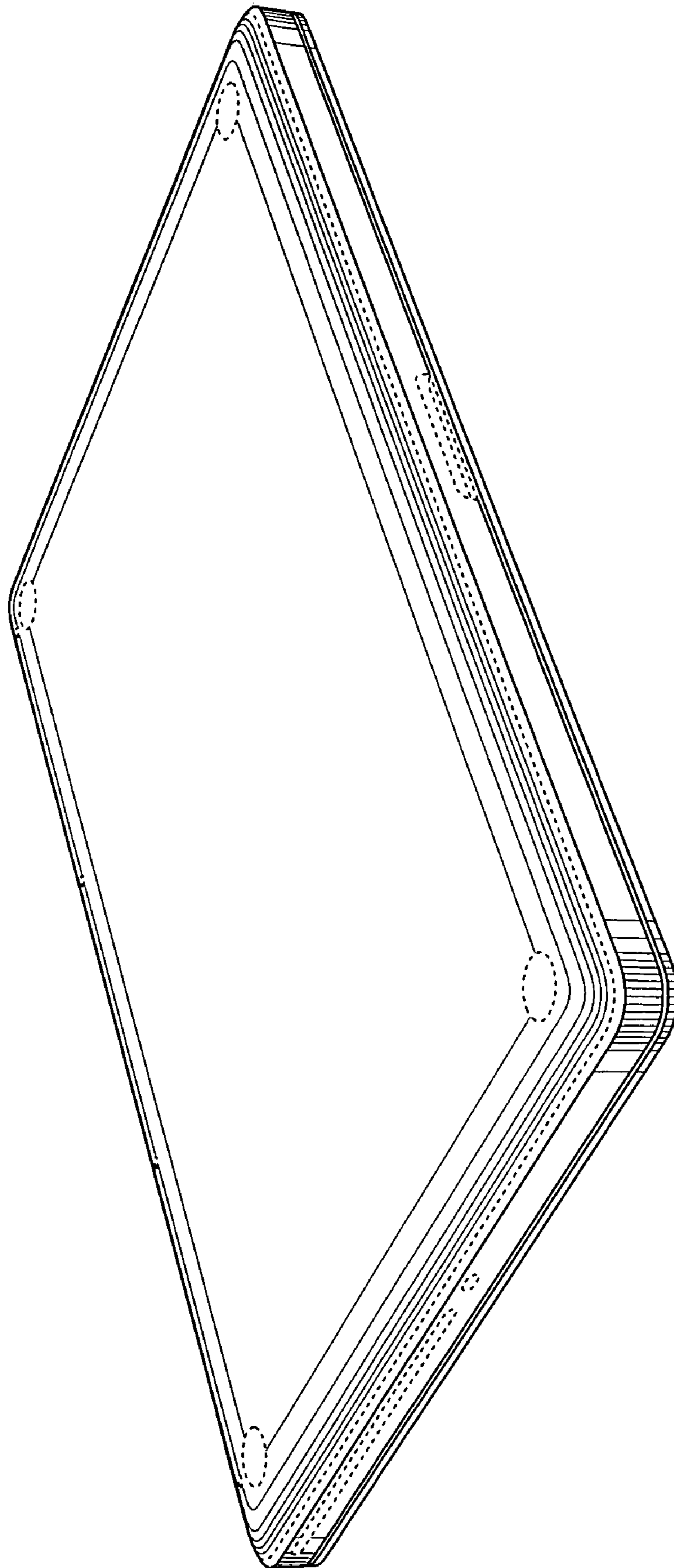


Fig. 41

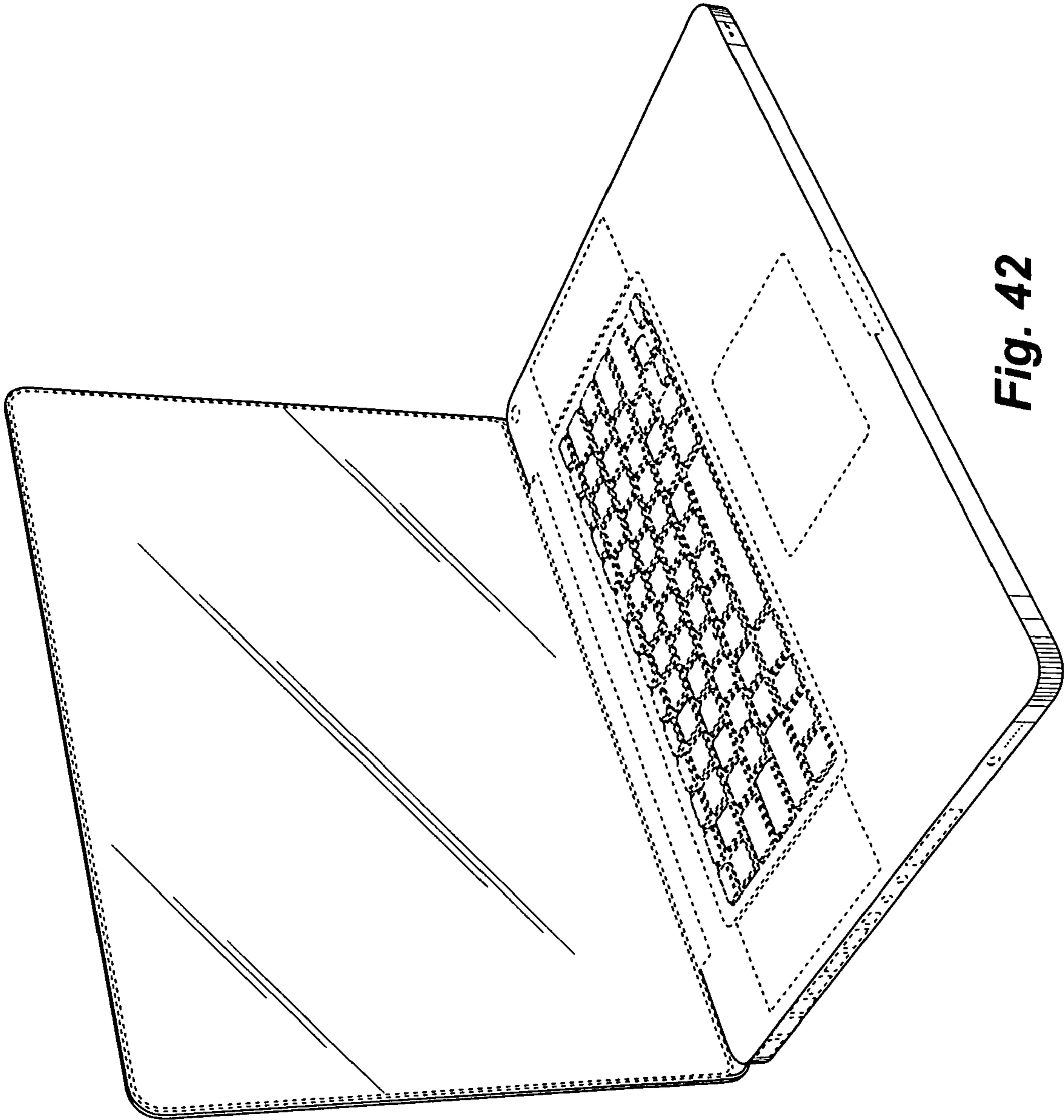


Fig. 42

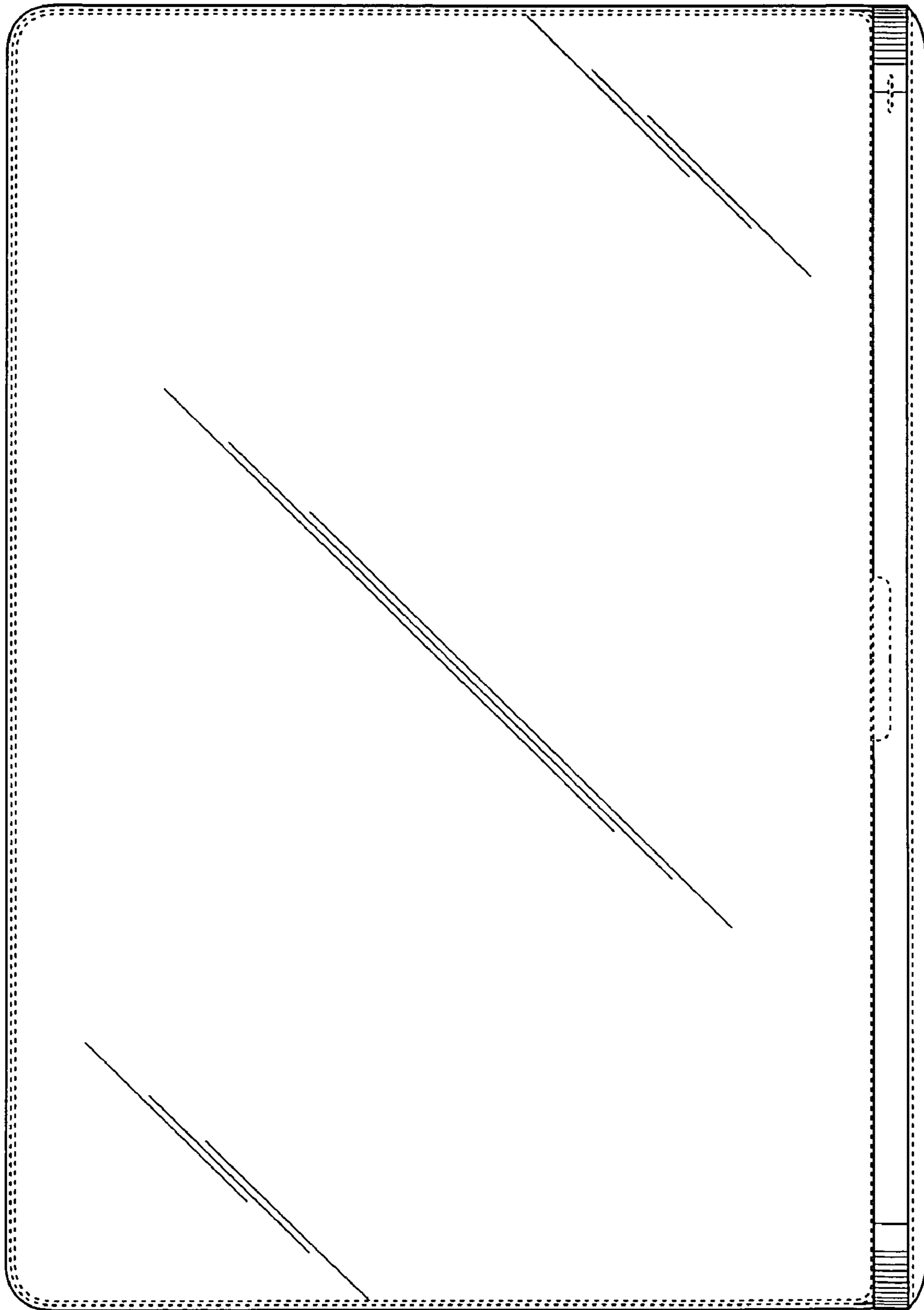


Fig. 43

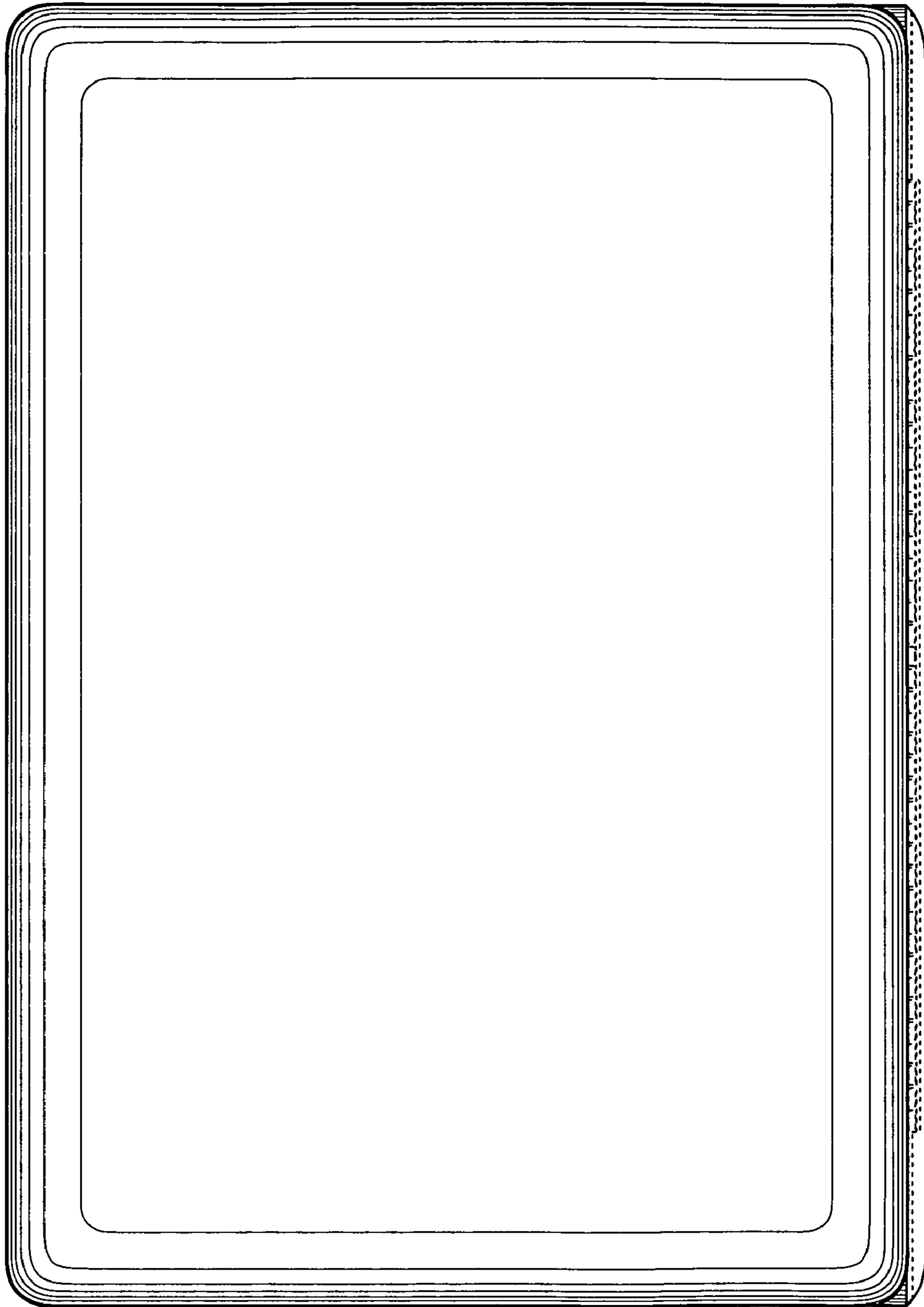


Fig. 44

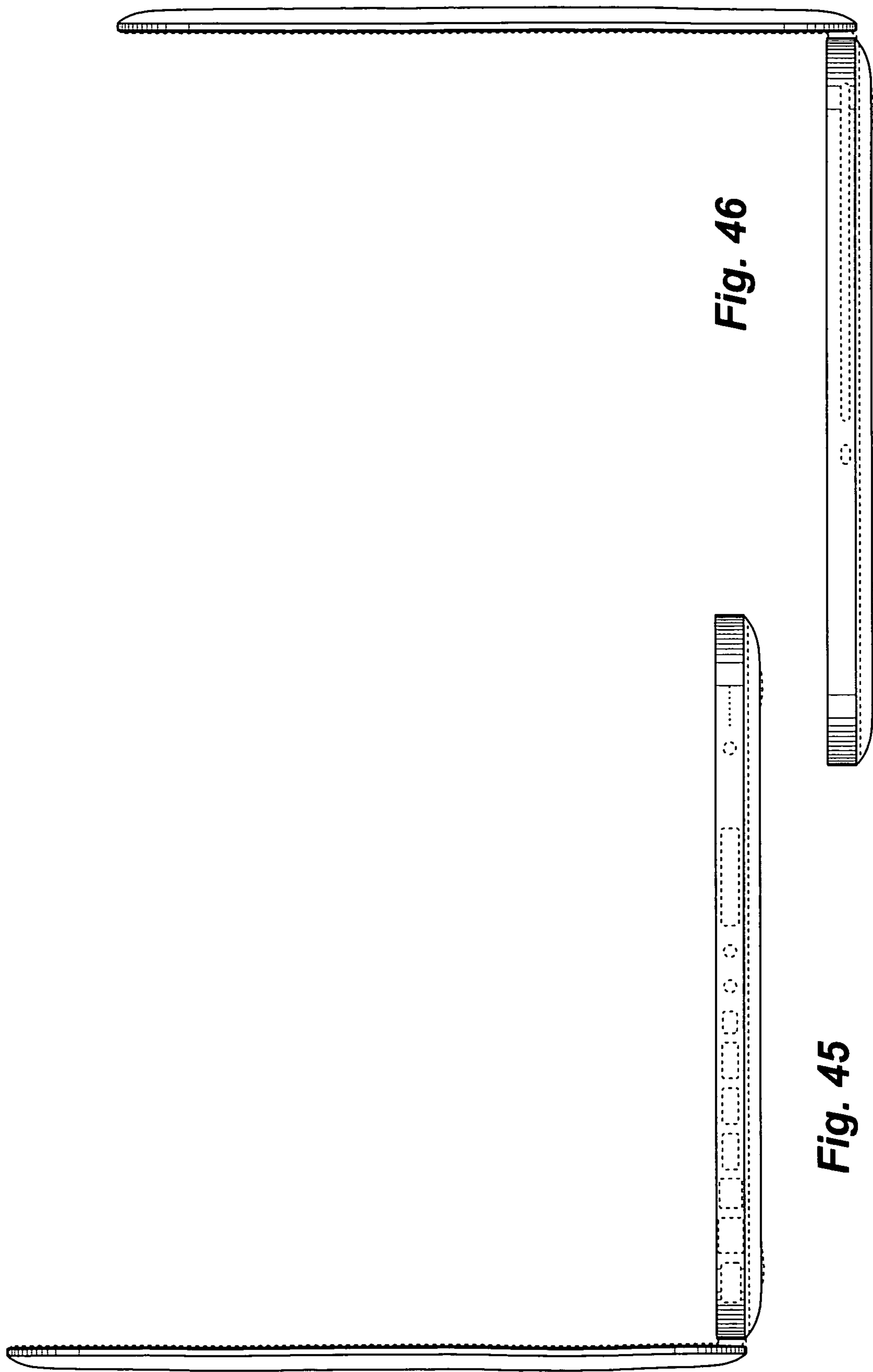


Fig. 46

Fig. 45

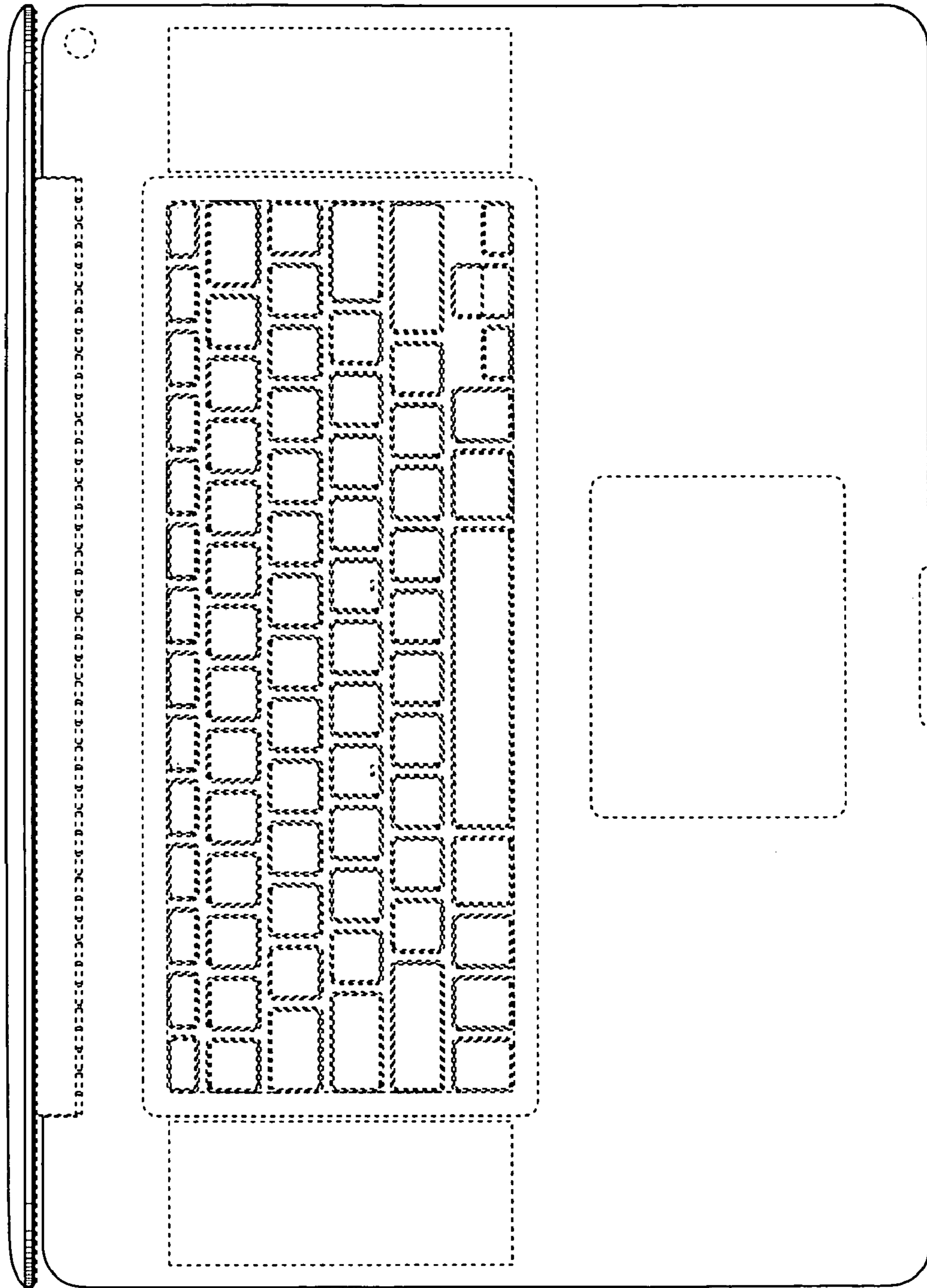


Fig. 47

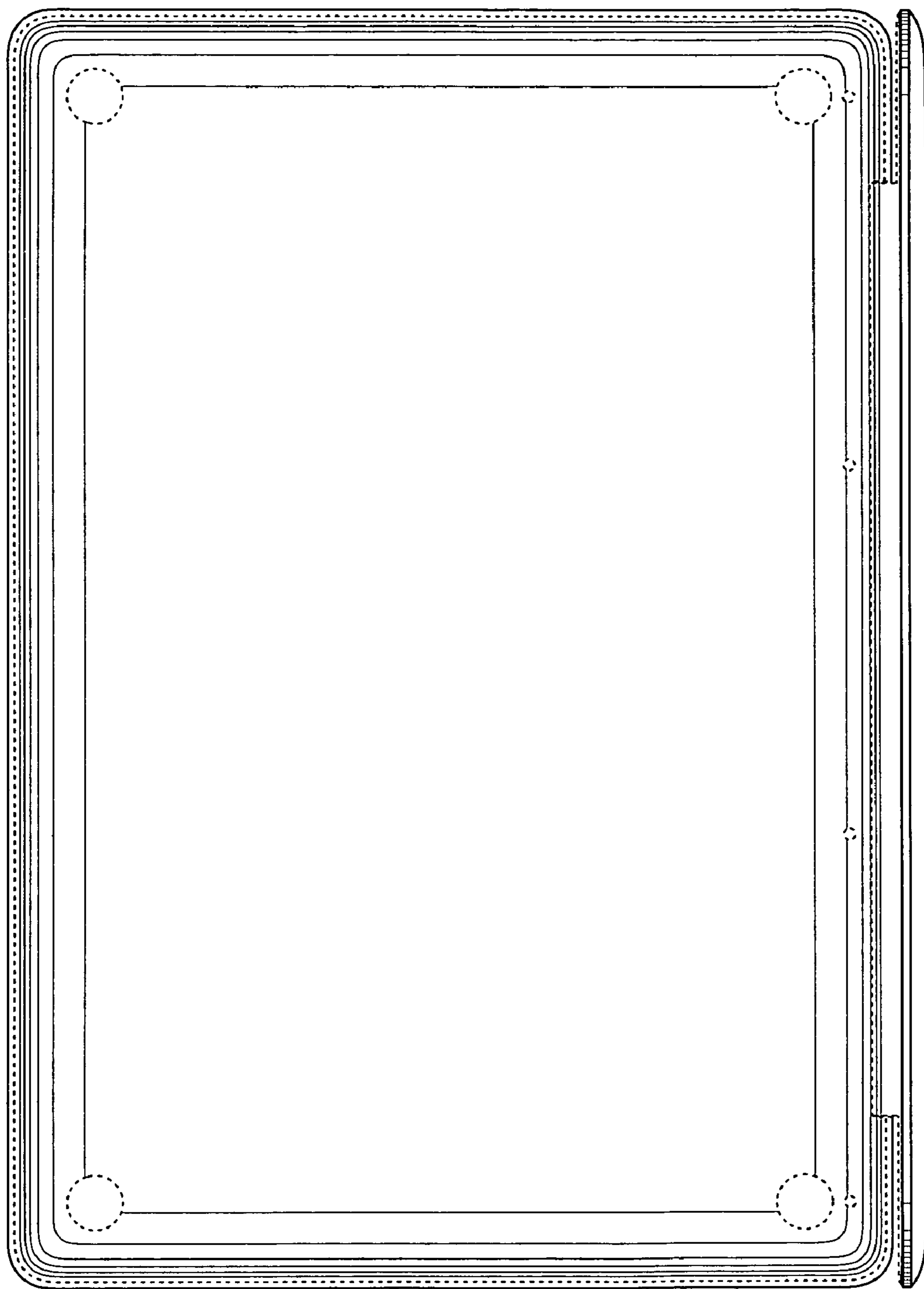


Fig. 48

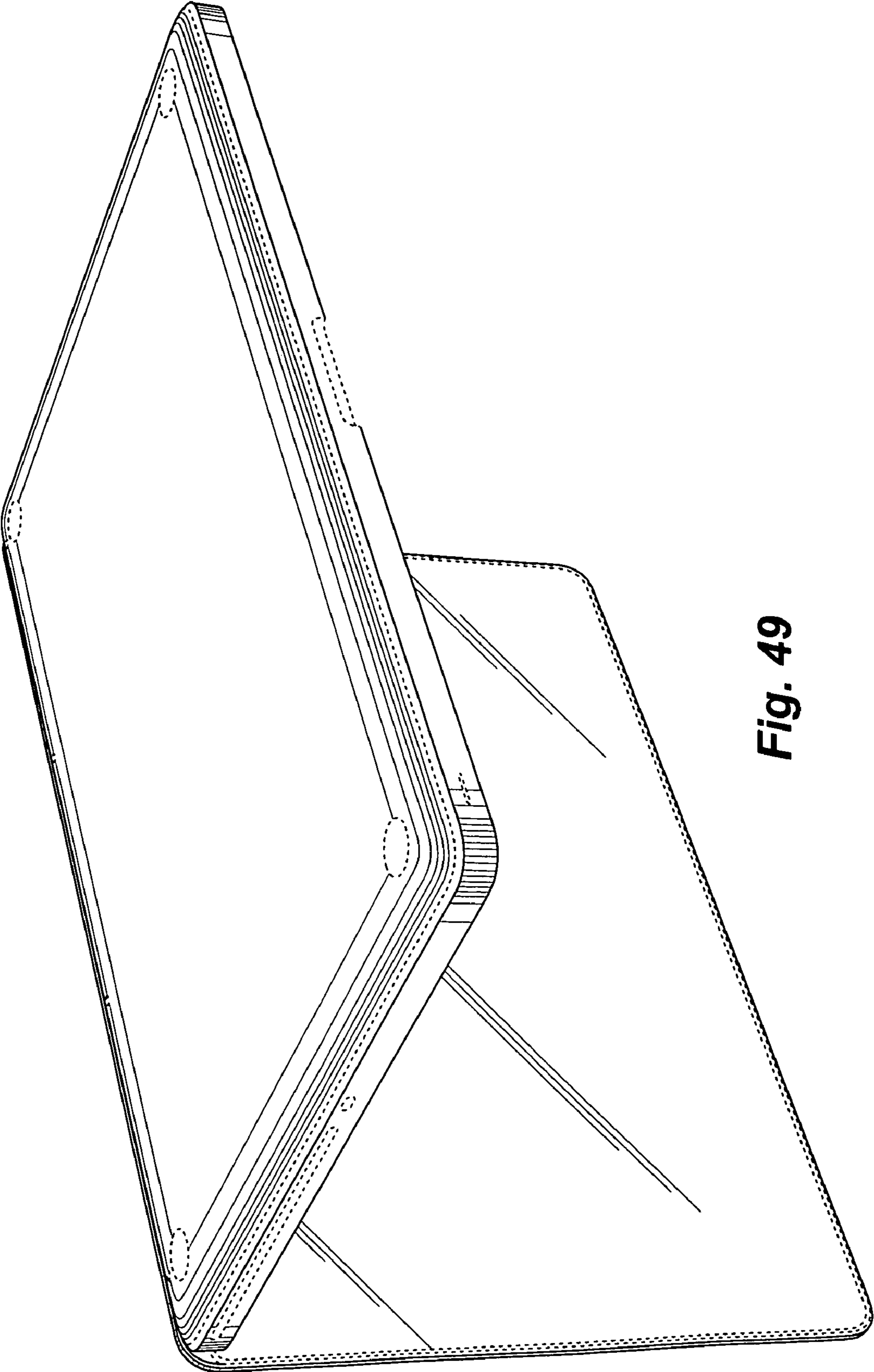


Fig. 49