



US00D604288S

(12) **United States Design Patent**
Musgrave et al.

(10) **Patent No.:** **US D604,288 S**

(45) **Date of Patent:** **** Nov. 17, 2009**

(54) **INFORMATION HANDLING SYSTEM
HOUSING**

D501,476 S * 2/2005 Quijano D14/352
D502,176 S * 2/2005 Fumagalli D14/308
D520,016 S * 5/2006 Lin et al. D14/441
D540,320 S * 4/2007 Noda et al. D14/349

(75) Inventors: **Kenneth Musgrave**, Austin, TX (US);
Rajib Adhikary, Austin, TX (US);
Joseph E. Jasinski, Austin, TX (US);
Aaron von Eigen, Austin, TX (US)

* cited by examiner

Primary Examiner—Freda S Nunn

(73) Assignee: **Dell Products L.P.**, Round Rock, TX
(US)

(74) *Attorney, Agent, or Firm*—Hamilton & Terrile, LLP;
Stephen A. Terrile

(**) Term: **14 Years**

(57) **CLAIM**

(21) Appl. No.: **29/335,155**

The ornamental design for an information handling system housing, as shown and described.

(22) Filed: **Apr. 9, 2009**

DESCRIPTION

(51) **LOC (9) Cl.** **14-02**

FIG. 1 is a front perspective view of the information handling system housing comprising the present invention;

(52) **U.S. Cl.** **D14/300; D14/351**

FIG. 2 is a front view thereof;

(58) **Field of Classification Search** D14/300–302,
D14/308, 349–358; D13/162, 184, 199;
312/223.2, 326, 727, 679.6; 361/680–686,
361/690–696, 727

FIG. 3 is a right side view thereof;

FIG. 4 is a left side view thereof;

See application file for complete search history.

FIG. 5 is a rear view thereof;

FIG. 6 is a top view thereof; and,

FIG. 7 is a bottom view thereof.

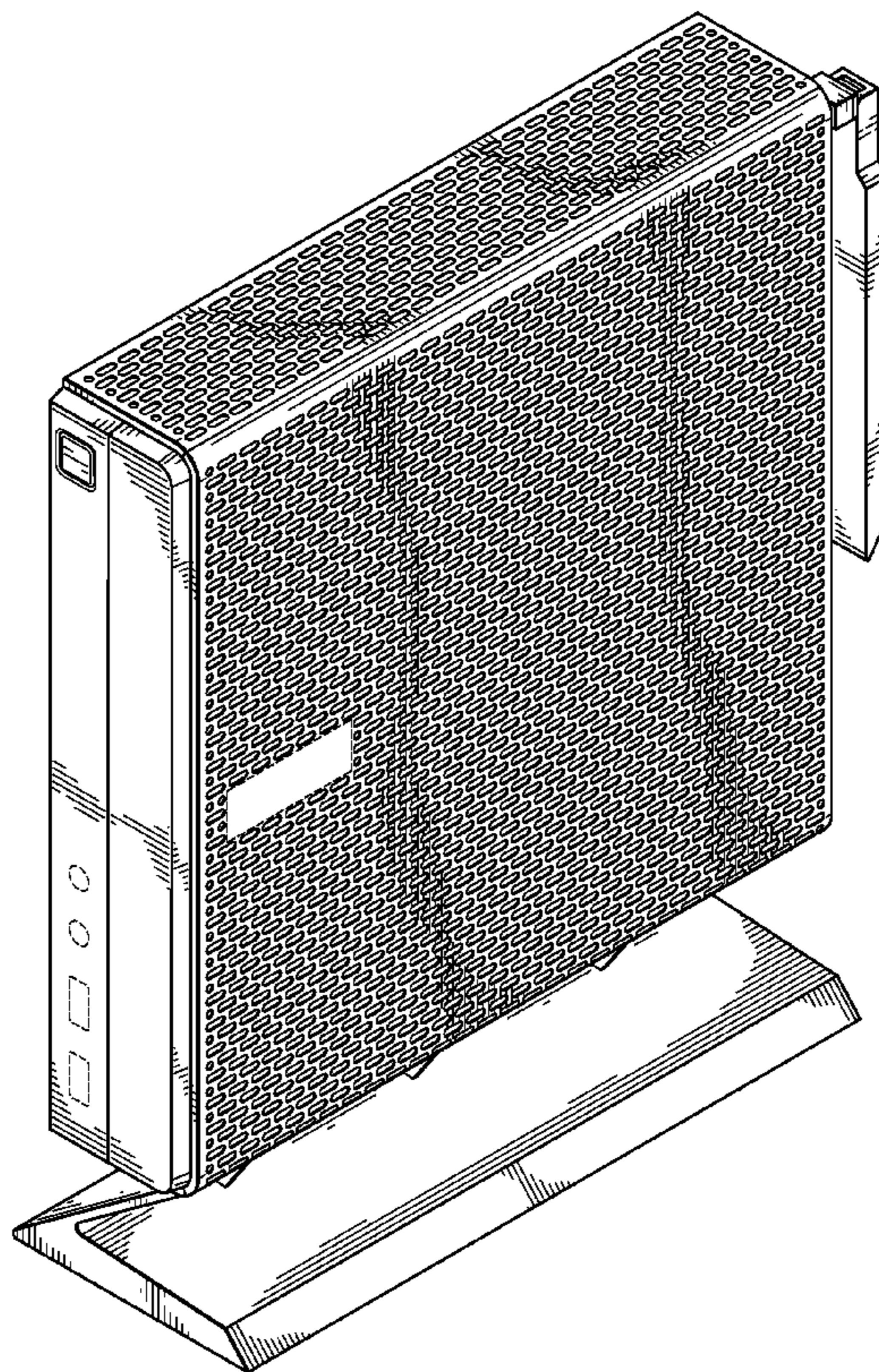
(56) **References Cited**

Broken lines shown in the drawings illustrate portions of the information handling system housing, and form no part of the claimed design.

U.S. PATENT DOCUMENTS

D432,125 S * 10/2000 Masuda et al. D14/349
D447,479 S * 9/2001 Tierney D14/351
6,296,333 B1 * 10/2001 Lee et al. 312/223.2
D499,096 S * 11/2004 Deng D14/353

1 Claim, 5 Drawing Sheets



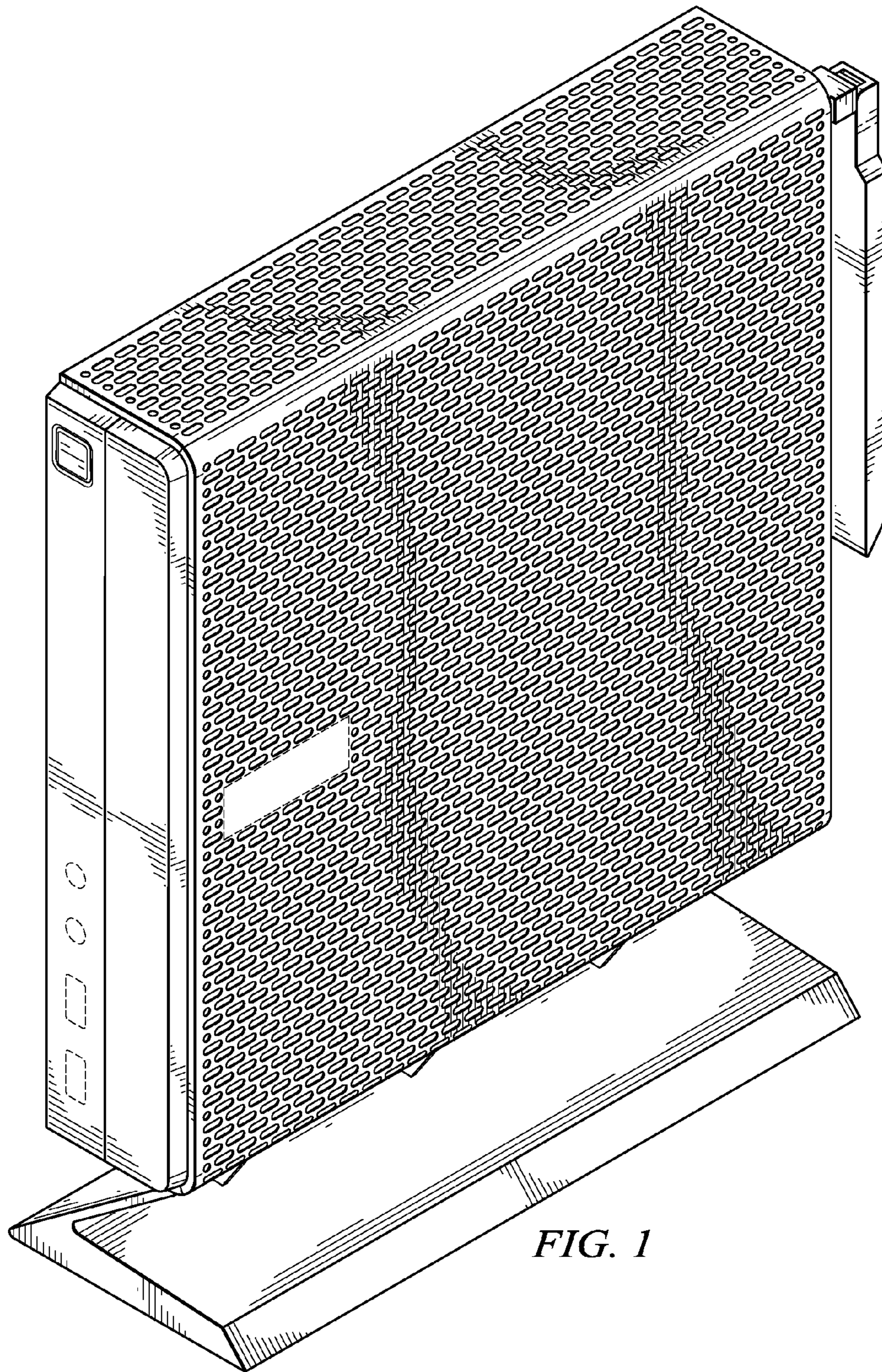


FIG. 1

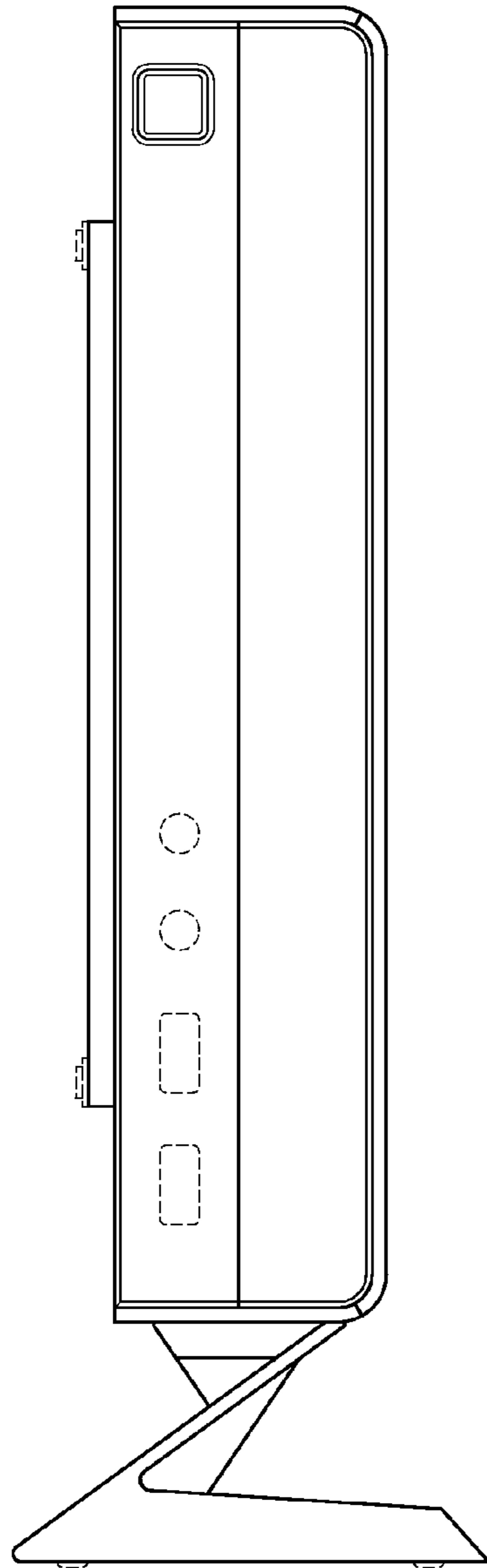


FIG. 2

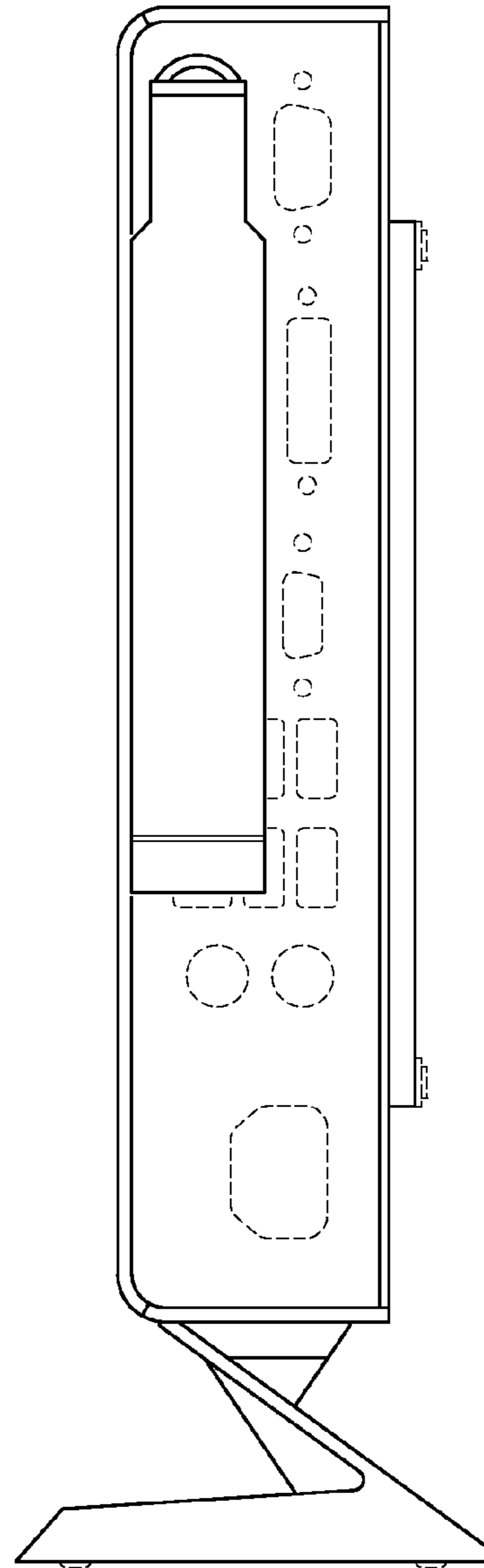


FIG. 5

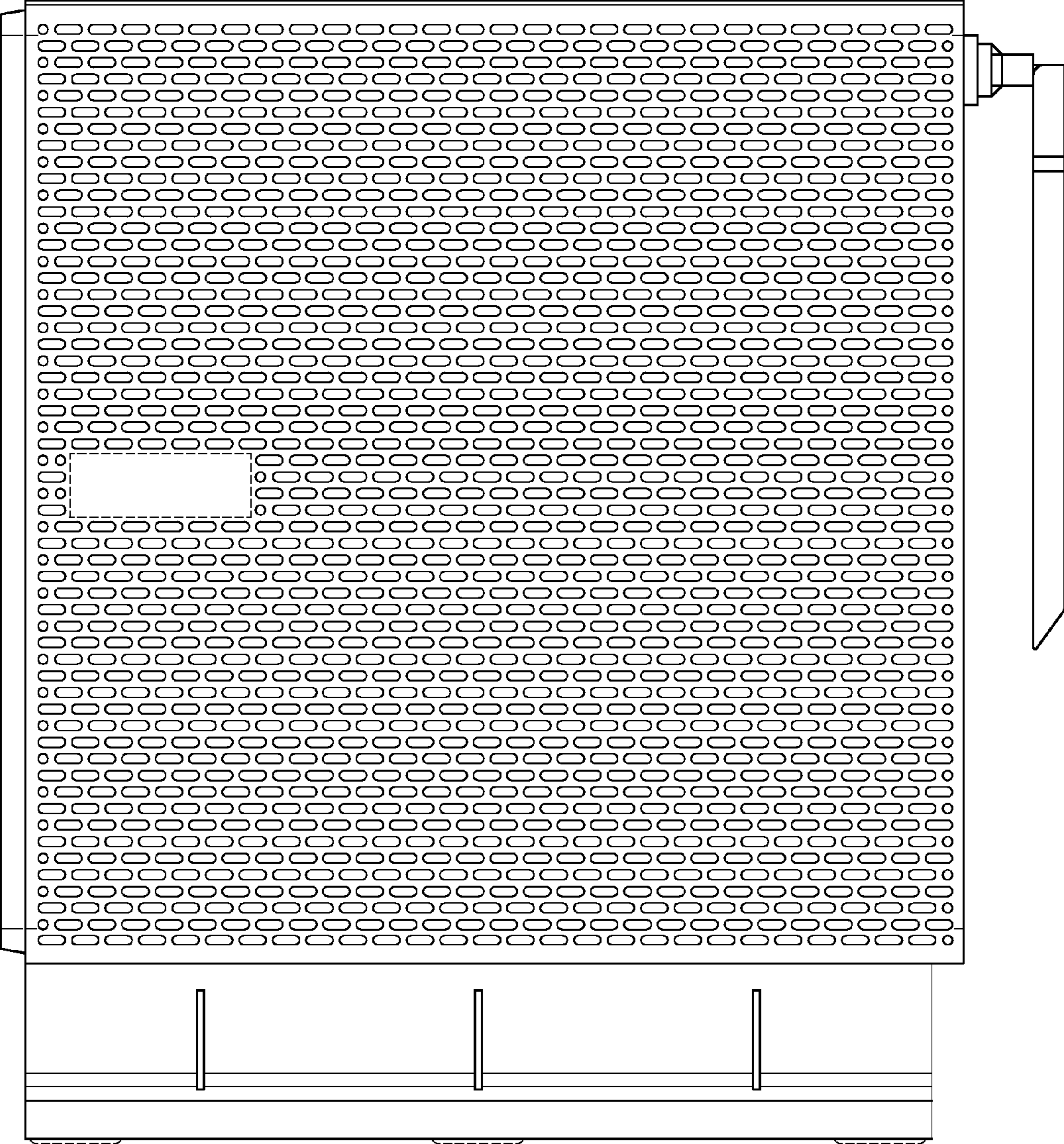


FIG. 3

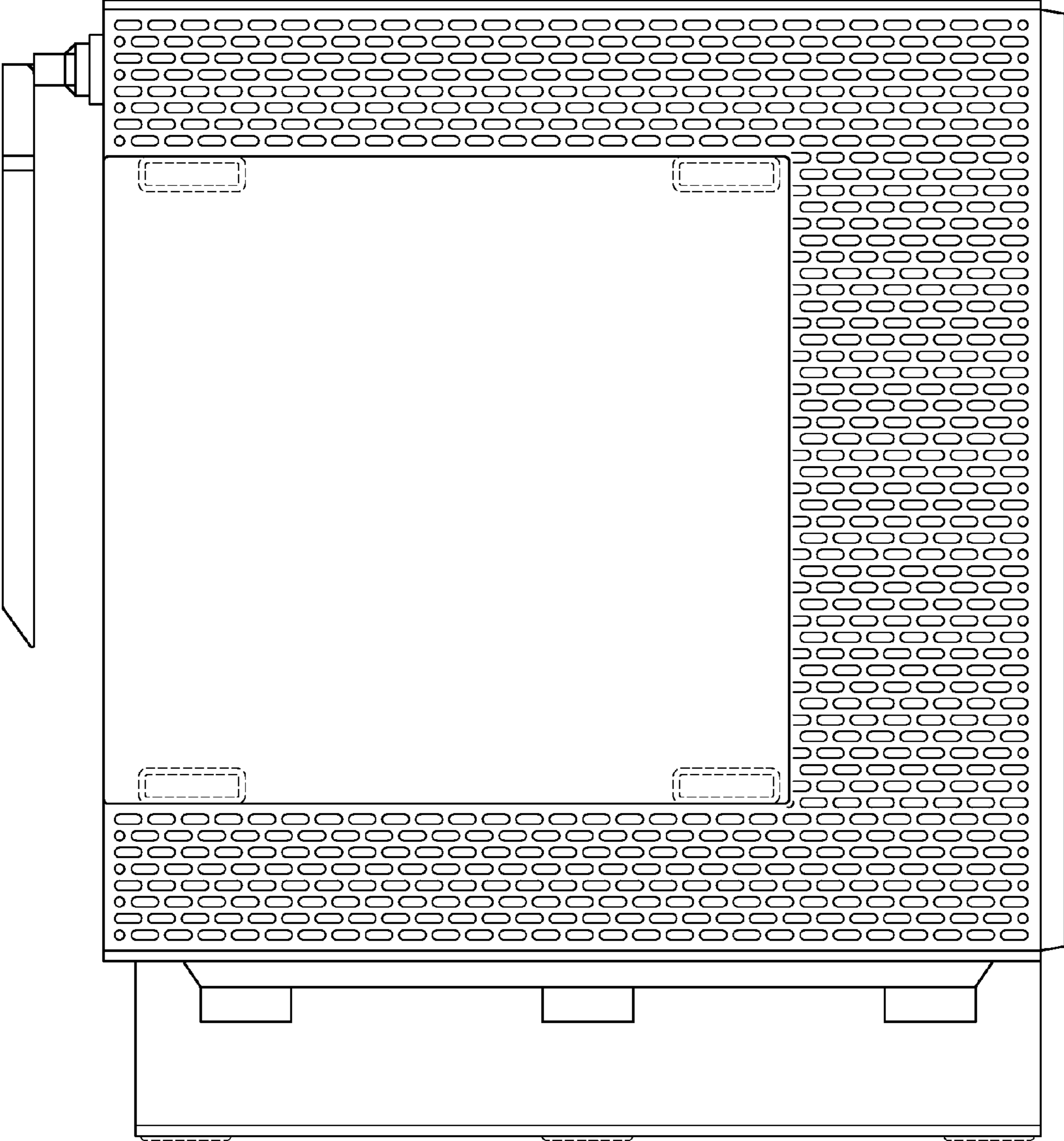


FIG. 4

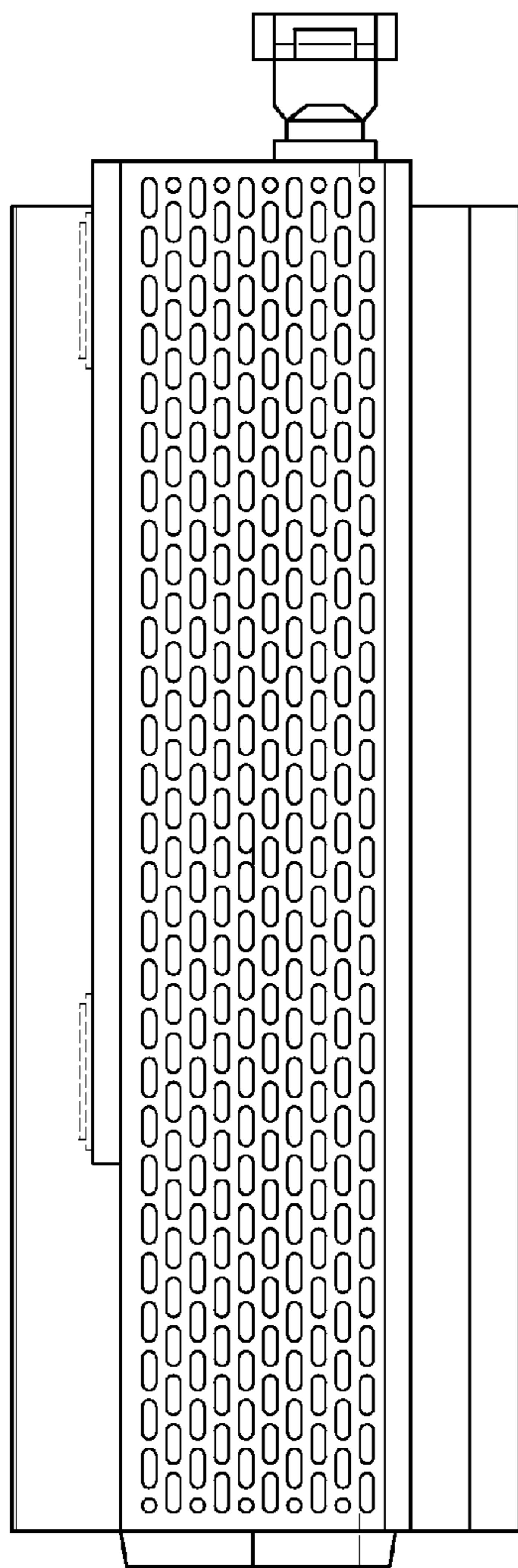


FIG. 6

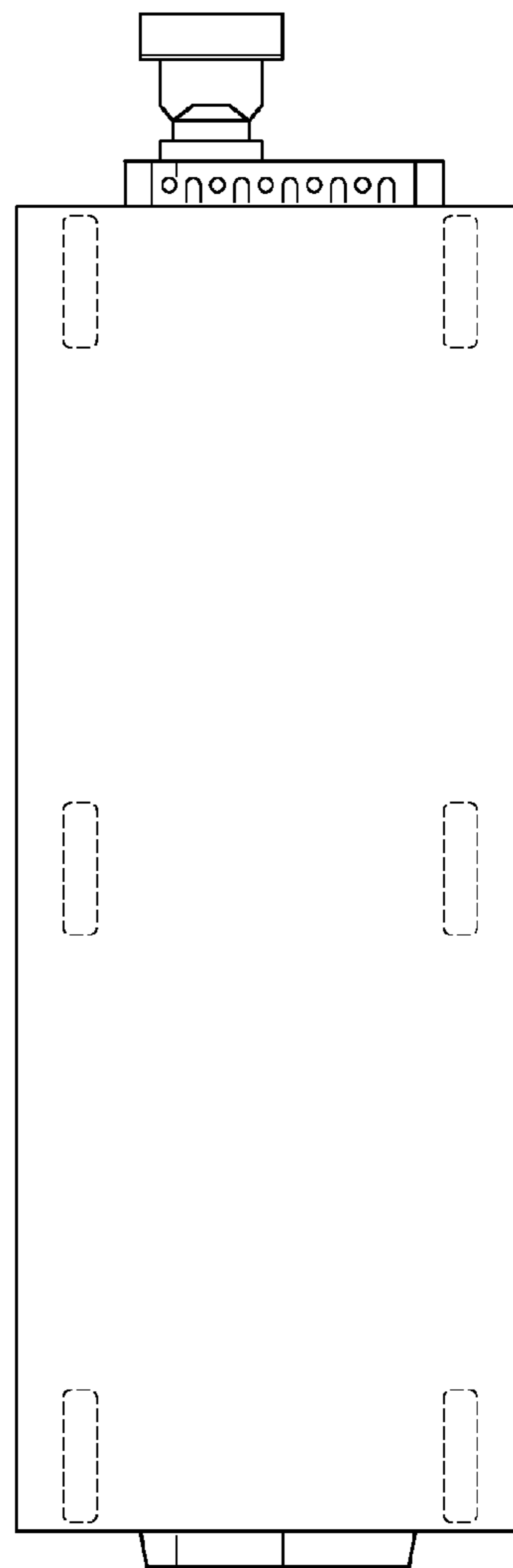


FIG. 7