



US00D604286S

(12) **United States Design Patent**
Fiore, IV

(10) **Patent No.:** **US D604,286 S**

(45) **Date of Patent:** **** Nov. 17, 2009**

(54) **AUTO STEREO INSTALLATION DEVICE**

D566,701 S * 4/2008 Quilling, II D14/258

(75) Inventor: **Anthony Fiore, IV**, Palm Coast, FL
(US)

* cited by examiner

Primary Examiner—Nanda Bondade

(73) Assignee: **Metra Electronics**, Holly Hill, FL (US)

(74) *Attorney, Agent, or Firm*—J. Wiley Horton

(**) Term: **14 Years**

(57) **CLAIM**

(21) Appl. No.: **29/312,686**

The ornamental design for an “auto stereo installation device”, as shown and described.

(22) Filed: **Nov. 6, 2008**

DESCRIPTION

(51) **LOC (9) Cl.** **14-03**

FIG. 1 is a perspective view of an auto stereo installation device, showing my design;

(52) **U.S. Cl.** **D14/258**

FIG. 2 is a front elevation view of FIG. 1;

(58) **Field of Classification Search** D14/157,

FIG. 3 is a rear elevation view of FIG. 1;

D14/217, 224, 257–258; 360/4; 369/75.11;

FIG. 4 is a right side elevation view of FIG. 1;

720/658, 691; 455/344, 575.1

FIG. 5 is a left side elevation view of FIG. 1;

See application file for complete search history.

FIG. 6 is a top plan view of FIG. 1; and,

(56) **References Cited**

FIG. 7 is a bottom plan view of FIG. 1.

U.S. PATENT DOCUMENTS

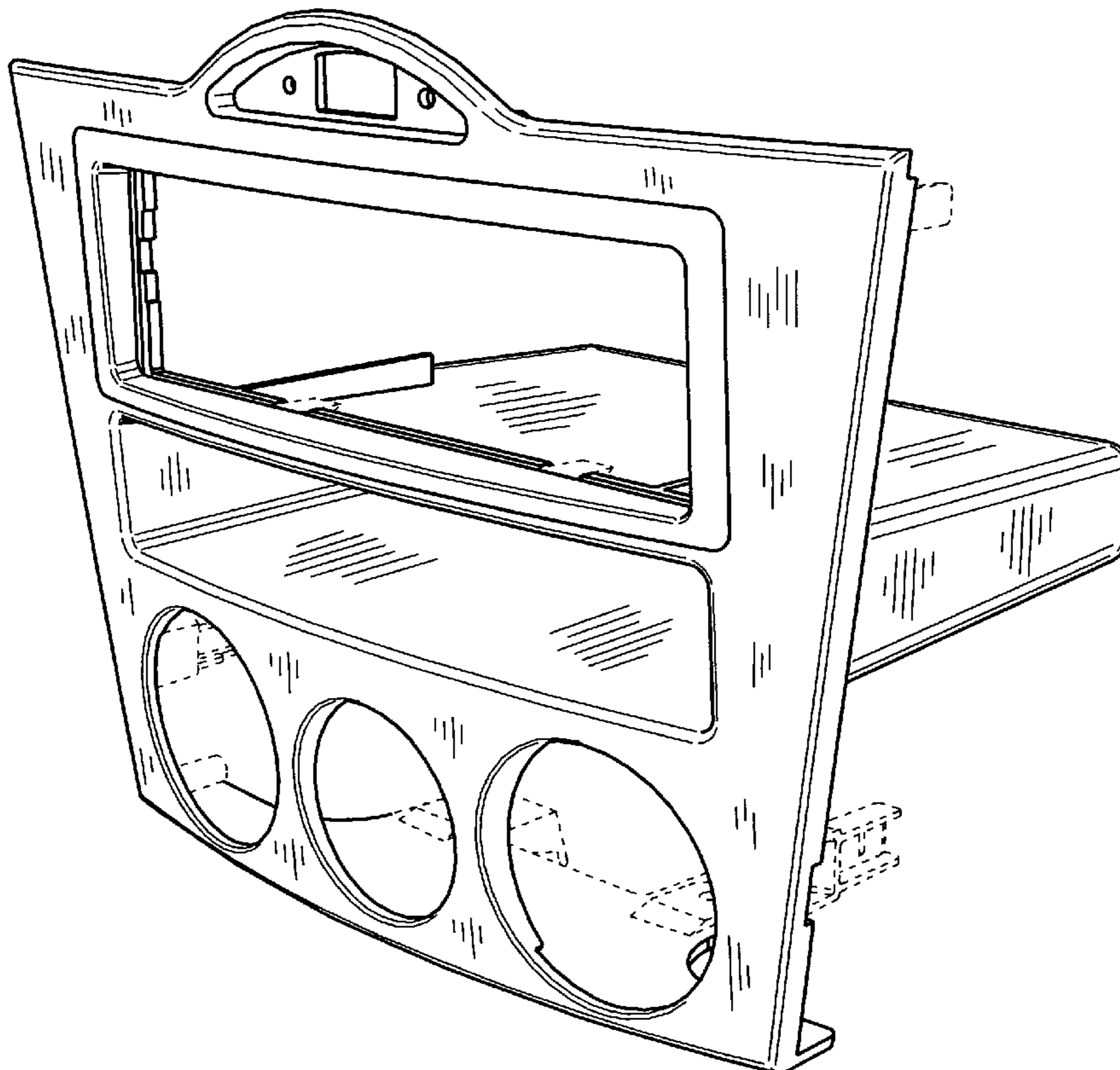
The broken lines shown in all views illustrate mounting features which form no part of the claimed design.

D501,852 S * 2/2005 Quilling, II D14/258

D517,061 S * 3/2006 Quilling, II D14/258

D555,644 S * 11/2007 Quilling, II D14/258

1 Claim, 7 Drawing Sheets



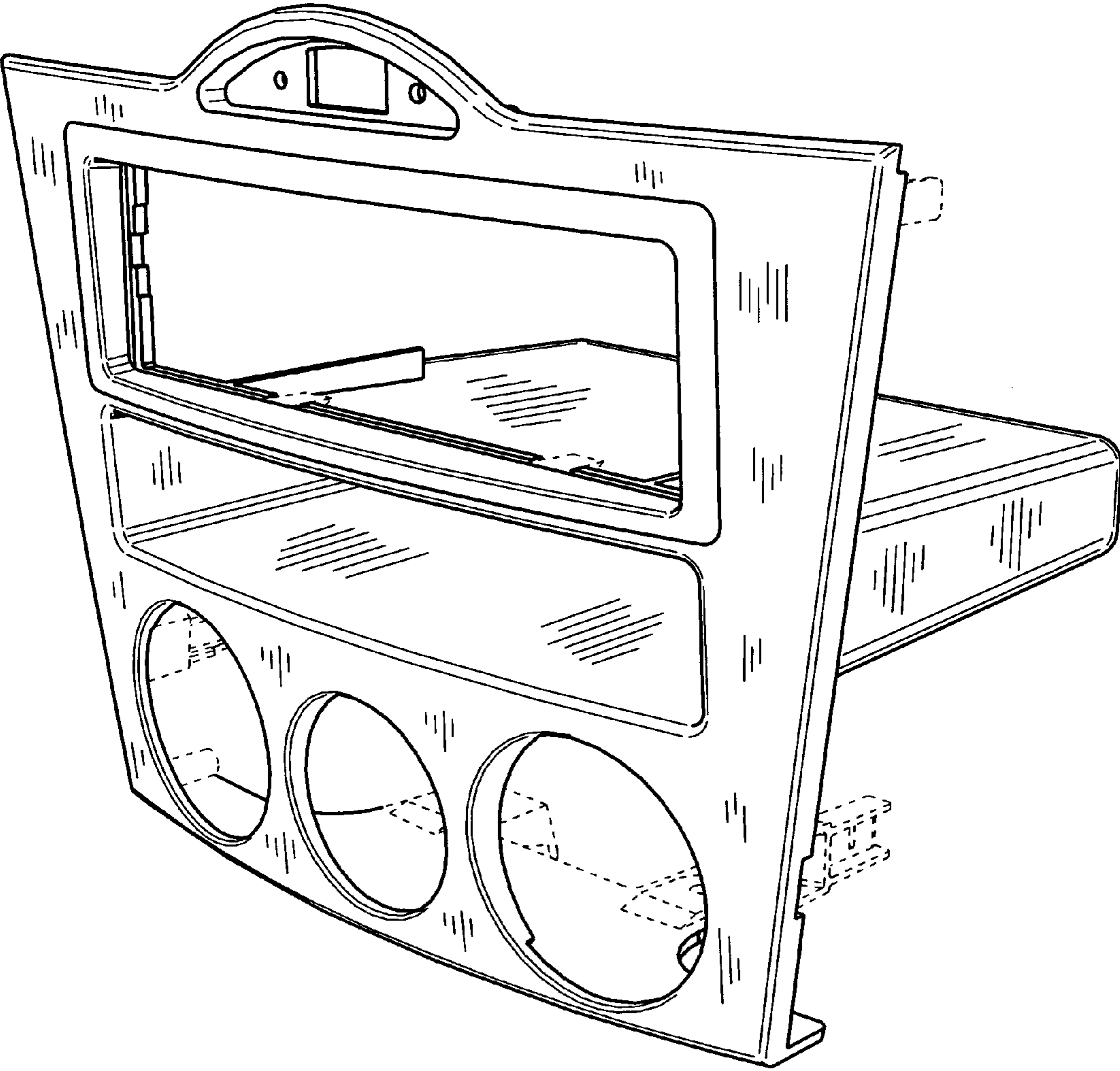


FIG. 1

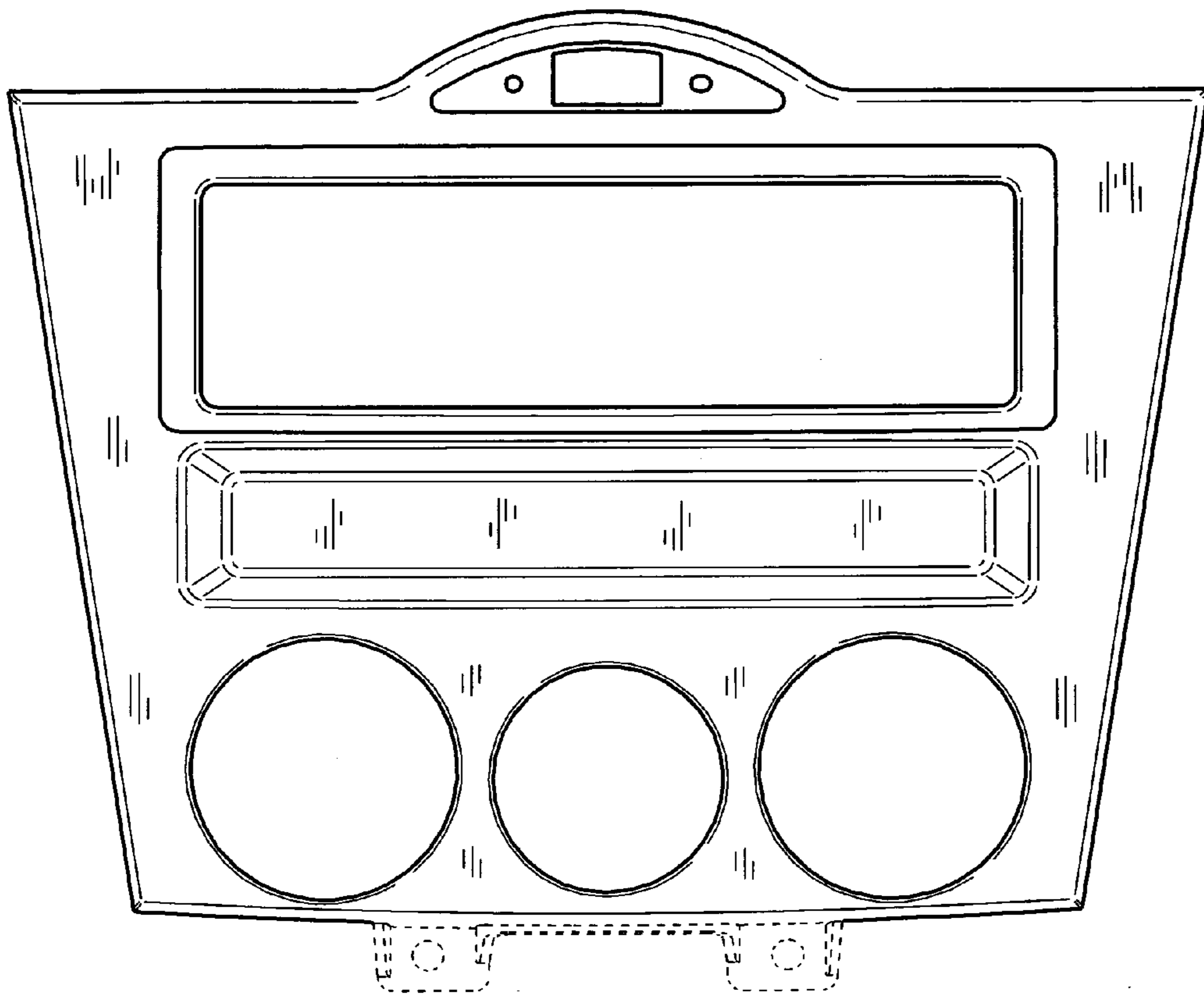


FIG. 2

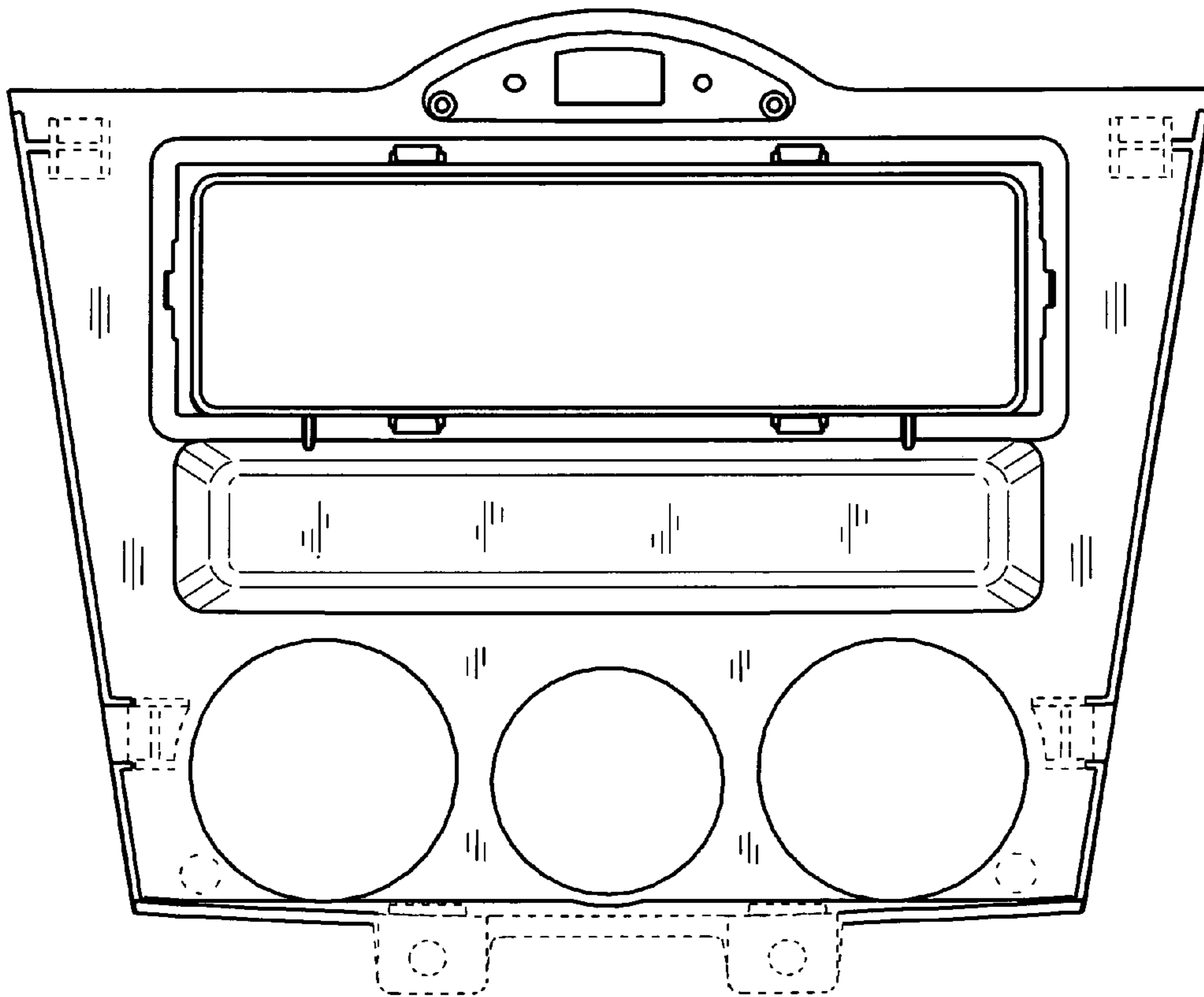


FIG. 3

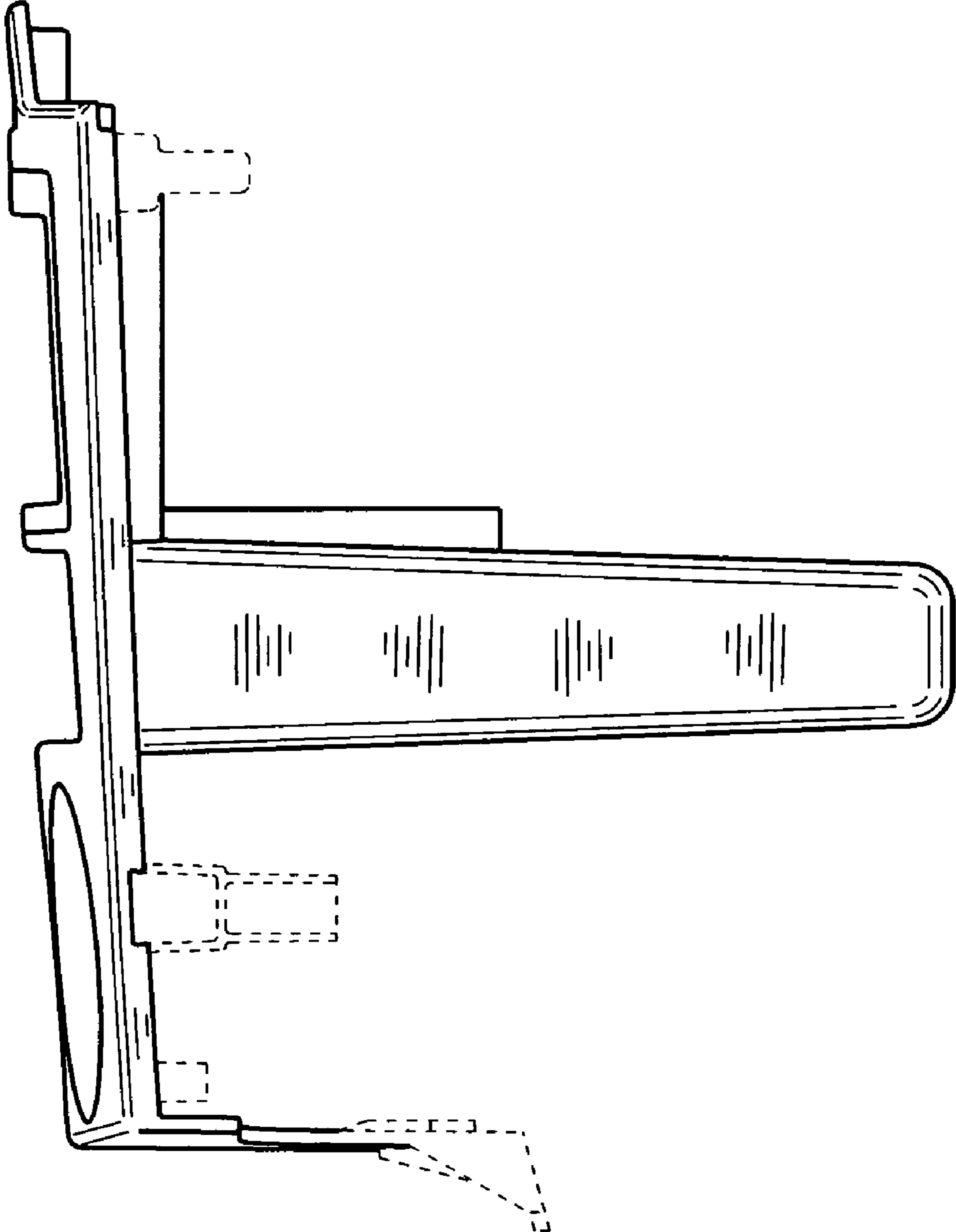


FIG. 4

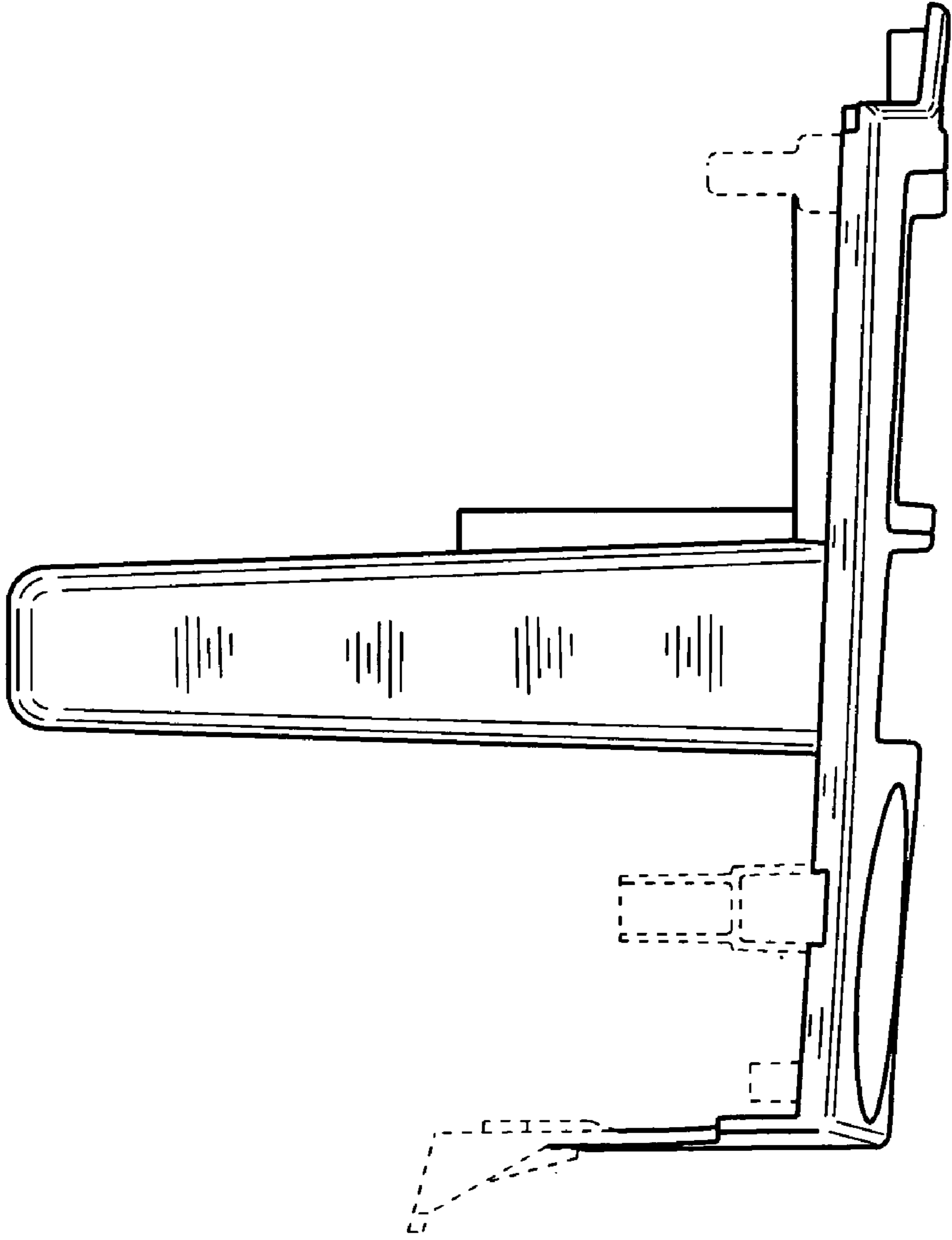


FIG. 5

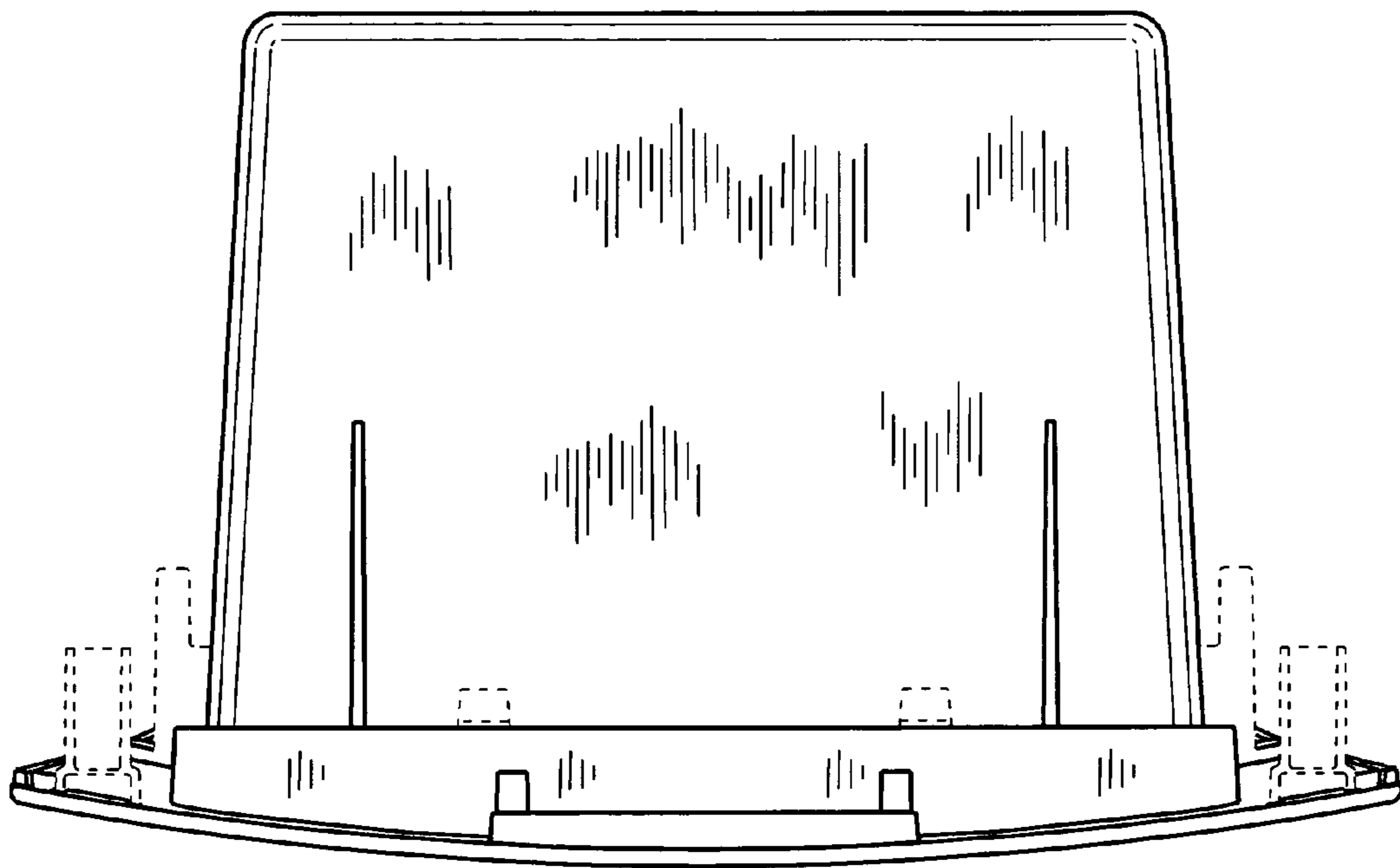


FIG. 6

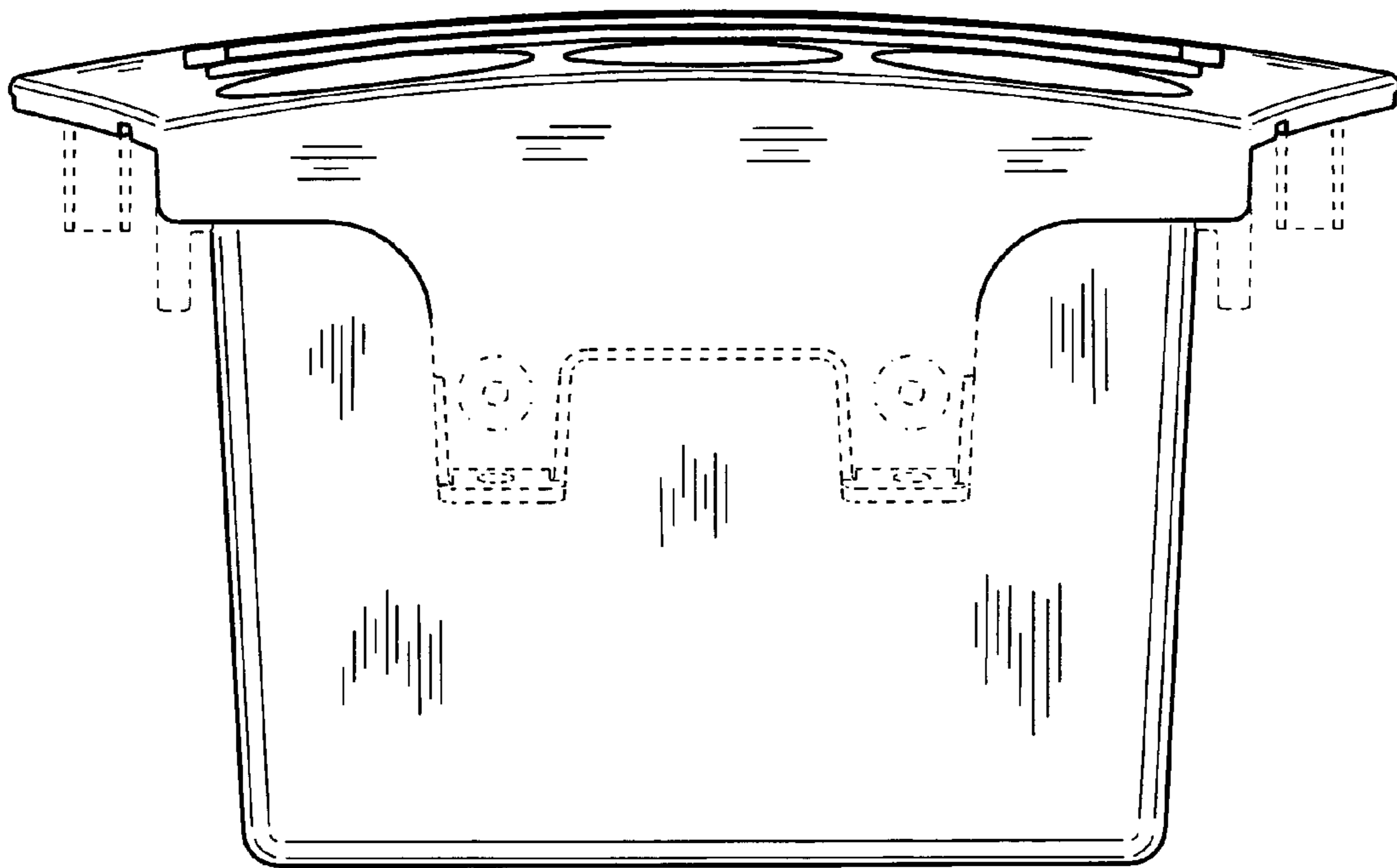


FIG. 7