



US00D604283S

(12) **United States Design Patent**
Nuovo et al.

(10) **Patent No.:** **US D604,283 S**
(45) **Date of Patent:** **** Nov. 17, 2009**

(54) **HANDSET**

WO DM/069695 * 12/2007

(75) Inventors: **Frank Nuovo**, Los Angeles, CA (US);
Jonathan Dry, Newbury Park, CA (US)

(73) Assignee: **Nokia Corporation**, Espoo (FI)

(**) Term: **14 Years**

(21) Appl. No.: **29/305,982**

(22) Filed: **Mar. 31, 2008**

(51) **LOC (9) Cl.** **14-03**

(52) **U.S. Cl.** **D14/248**

(58) **Field of Classification Search** D14/137,
D14/138, 138 AA, 138 R, 147-148, 156,
D14/218, 247-248, 341-347, 390, 399, 455-456,
D14/496; D16/208; D21/329, 331, 333,
D21/517; 348/14.01-14.02; 361/814; 379/433.01-433.13;
455/90.3, 556.1-556.2, 566, 575.1, 575.3,
455/575.4; D13/164, 168; 439/165; 343/702;
345/167, 168, 169

See application file for complete search history.

(56) **References Cited**

U.S. PATENT DOCUMENTS

D459,332 S *	6/2002	Peiker	D14/147
D465,483 S *	11/2002	Nuovo	D14/248
D465,774 S *	11/2002	Nuovo	D14/138 AA
D466,890 S *	12/2002	Nuovo	D14/249
D499,709 S *	12/2004	Nuovo et al.	D14/138 AA
D515,538 S *	2/2006	Huo et al.	D14/138 AA
7,006,349 B2 *	2/2006	Nuovo et al.	361/679
D526,636 S *	8/2006	Kim et al.	D14/138 AA
D538,770 S *	3/2007	Lyles	D14/138 AA
D549,224 S *	8/2007	Fahlgren	D14/248
D560,198 S *	1/2008	Kim et al.	D14/138 AB
D568,849 S	5/2008	Nuovo		
D574,818 S *	8/2008	Nuovo	D14/248
7,454,014 B2 *	11/2008	Nuovo	379/434

FOREIGN PATENT DOCUMENTS

WO DM/068212 * 10/2006

OTHER PUBLICATIONS

Vertu Ascent, announced 2004, <URL:http://www.gsmarena.com/vertu_ascent-pictures-1219.php>, retrieved from internet Feb. 5, 2009.*

Vertu Constellation, announced Oct. 2006, <URL:http://www.gsmarena.com/vertu_constellation-pictures-1766.php>, retrieved from internet Feb. 5, 2009.*

Vertu Ascent, announced 2004, <URL:http://www.gsmarena.com/vertu_ascent-pictures-1219.php>, retrieved from internet Jul. 30, 2009.*

Vertu Constellation, announced Oct. 2006, <URL:http://www.gsmarena.com/vertu_constellation-pictures-1766.php>, retrieved from internet Jul. 30, 2009.*

Vertu Signature, 1 color sheet of photographs, disclosed on or about 2006.

* cited by examiner

Primary Examiner—Ian Simmons

Assistant Examiner—Carla Jobe Wright

(74) *Attorney, Agent, or Firm*—Banner & Witcoff, Ltd.

(57) **CLAIM**

The ornamental design for a handset, as shown and described.

DESCRIPTION

FIG. 1 is a front perspective view of a handset showing my new design;

FIG. 2 is a rear perspective view thereof;

FIG. 3 is a front view thereof;

FIG. 4 is a right side view thereof;

FIG. 5 is a left side view thereof;

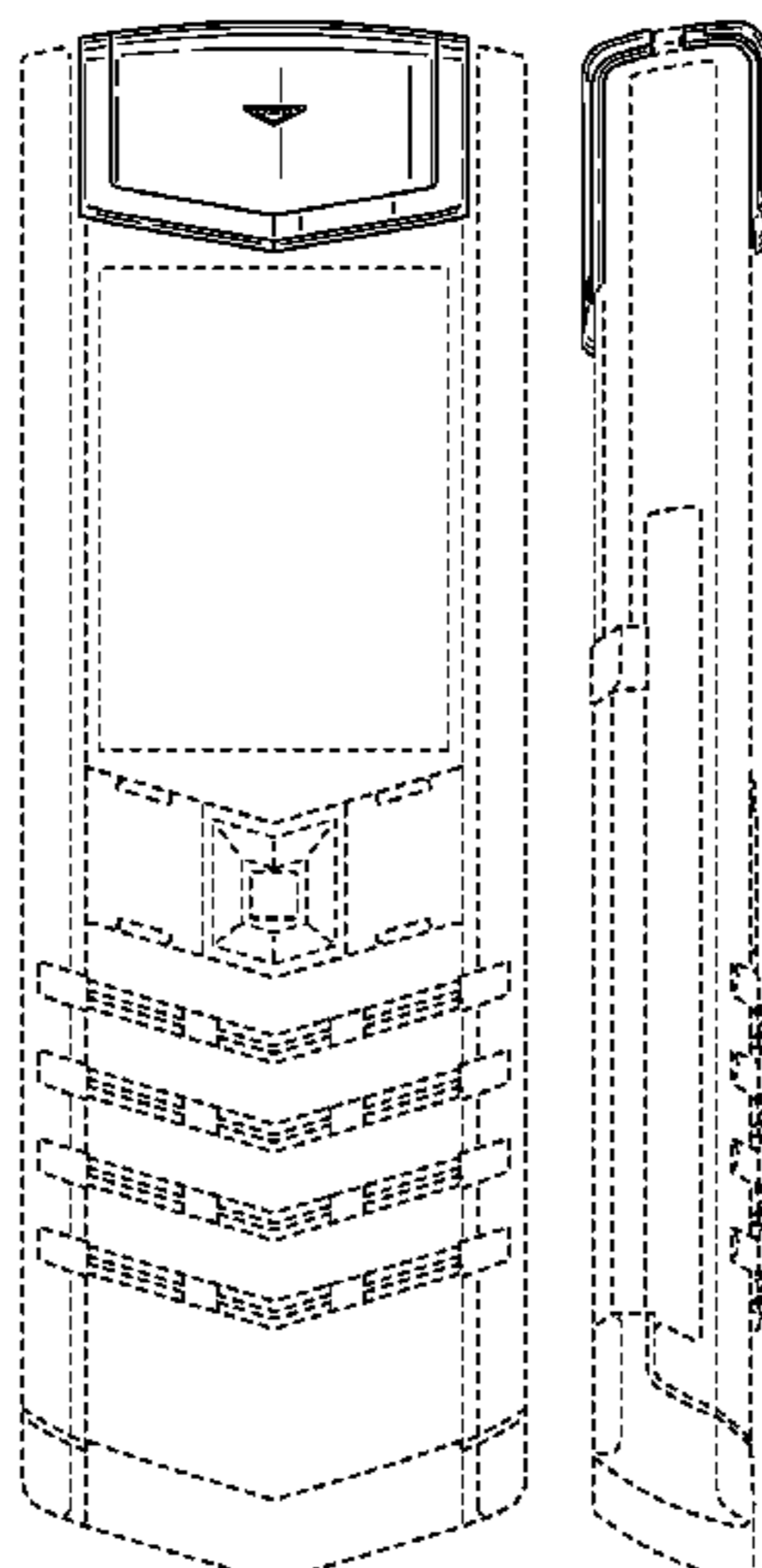
FIG. 6 is a top view thereof;

FIG. 7 is a bottom view thereof; and,

FIG. 8 is a rear view thereof.

The broken line showing of the remainder of the handset in the figures is for illustrative purposes only and forms no part of the claimed design.

1 Claim, 6 Drawing Sheets



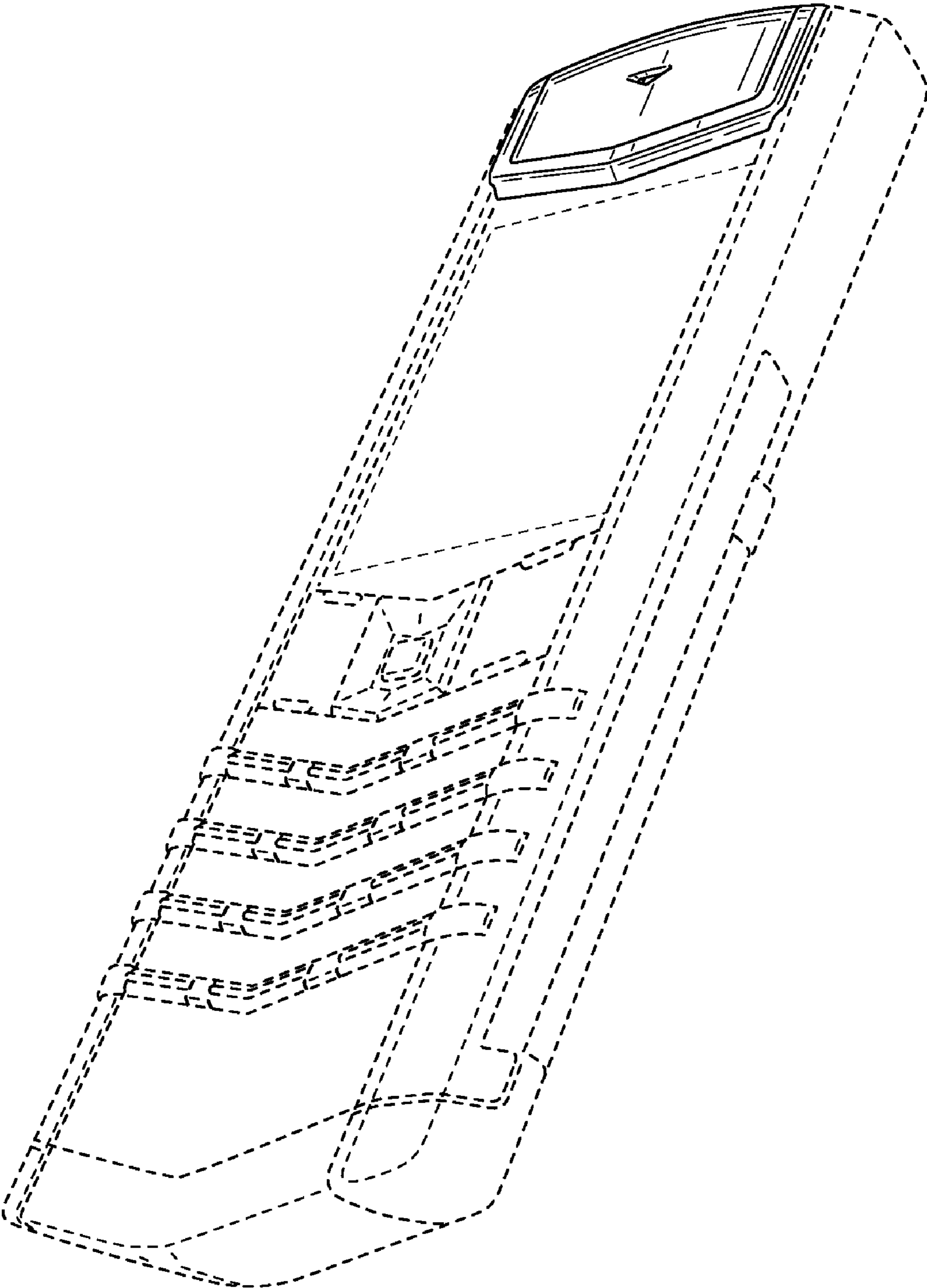


FIG. 1

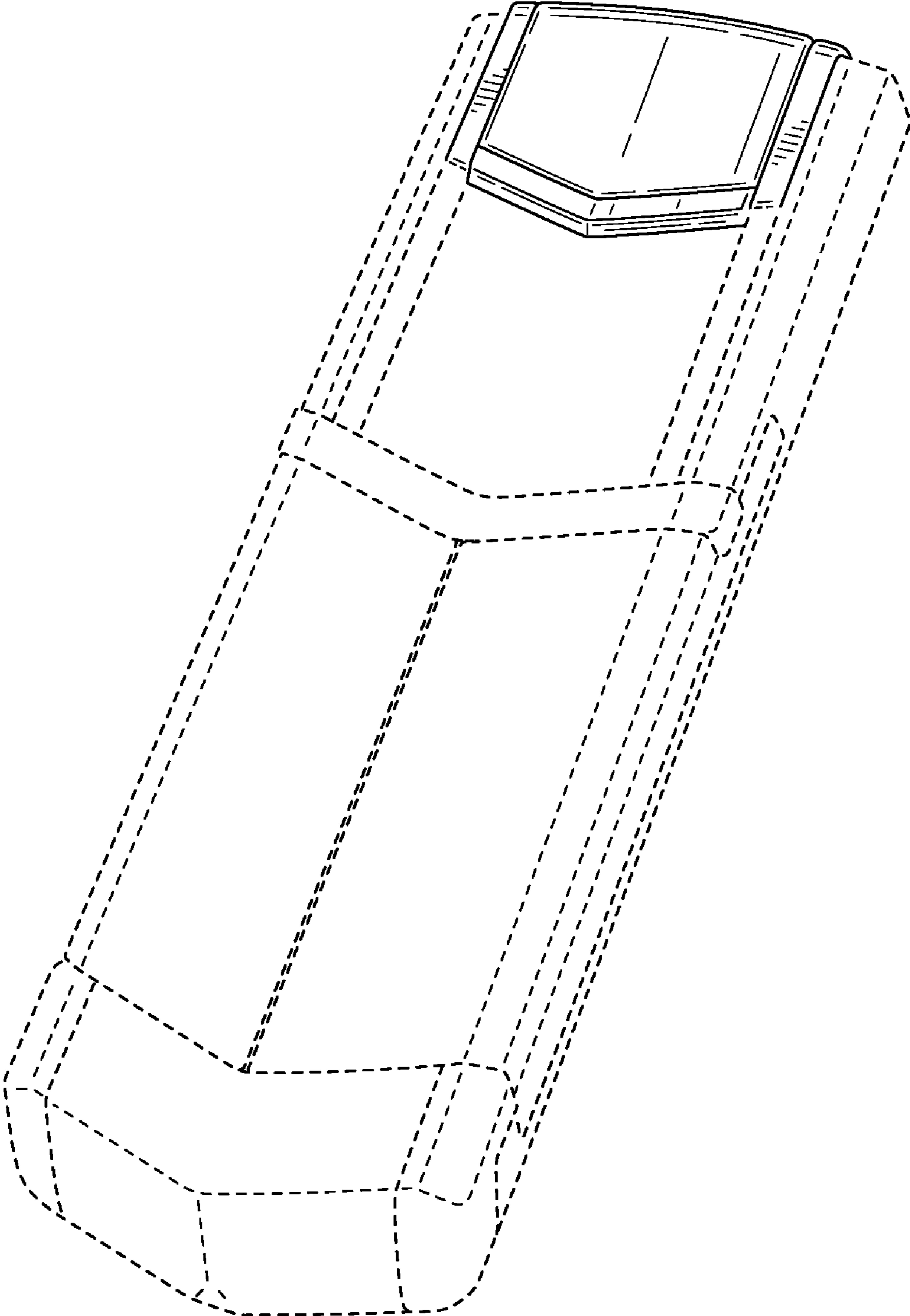


FIG. 2

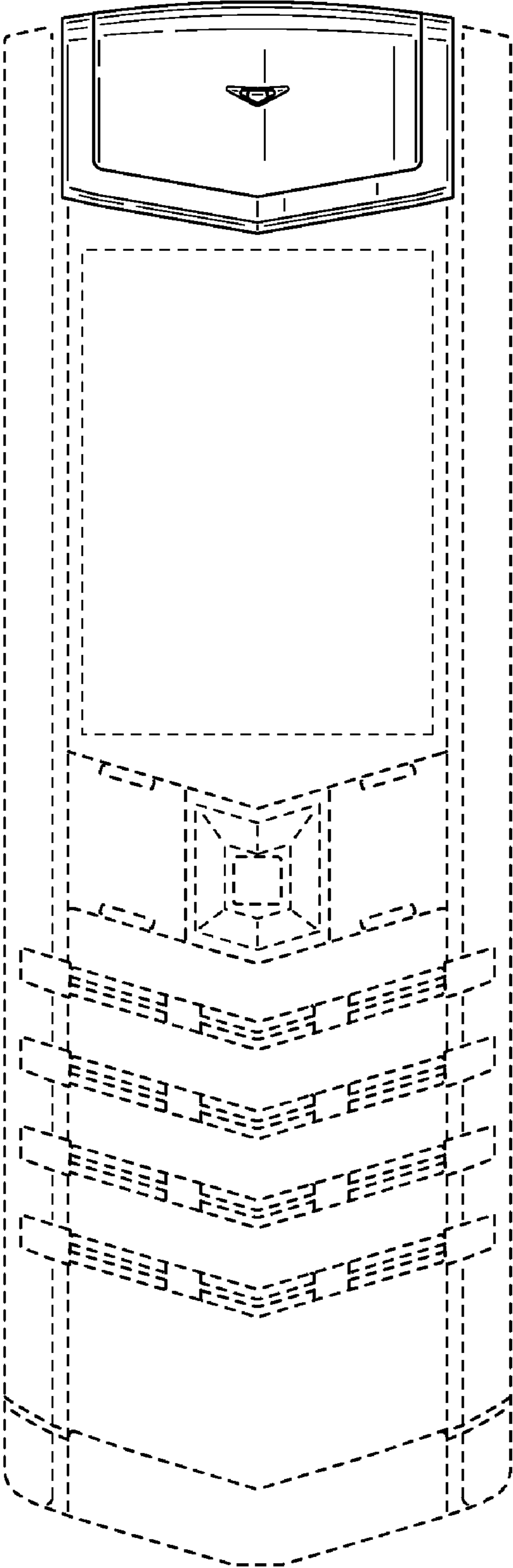


FIG. 3

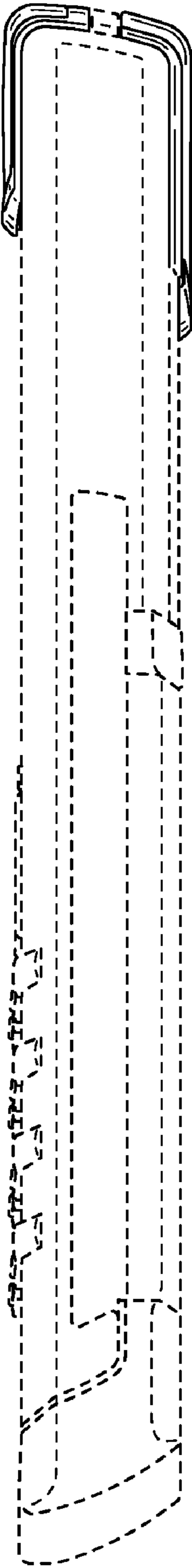


FIG. 4

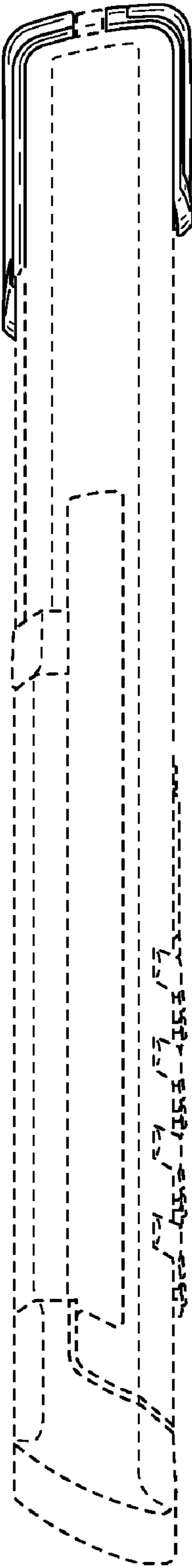


FIG. 5

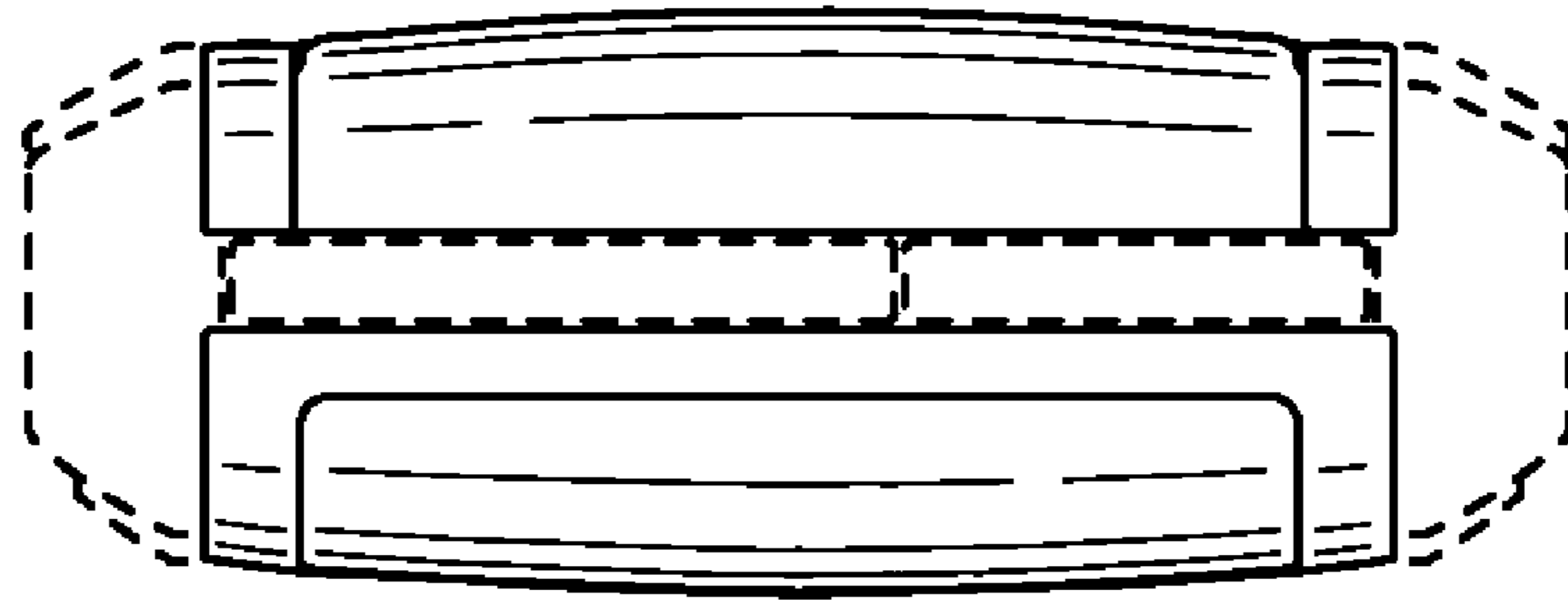


FIG. 6

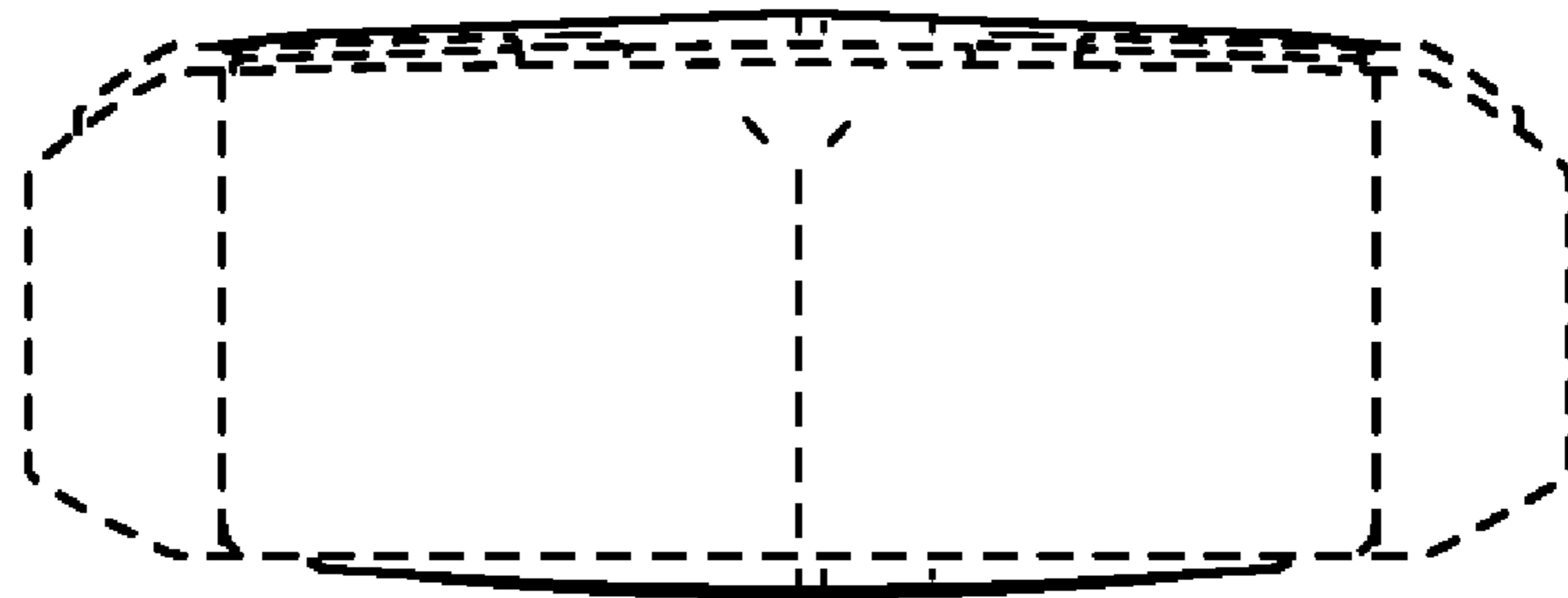


FIG. 7

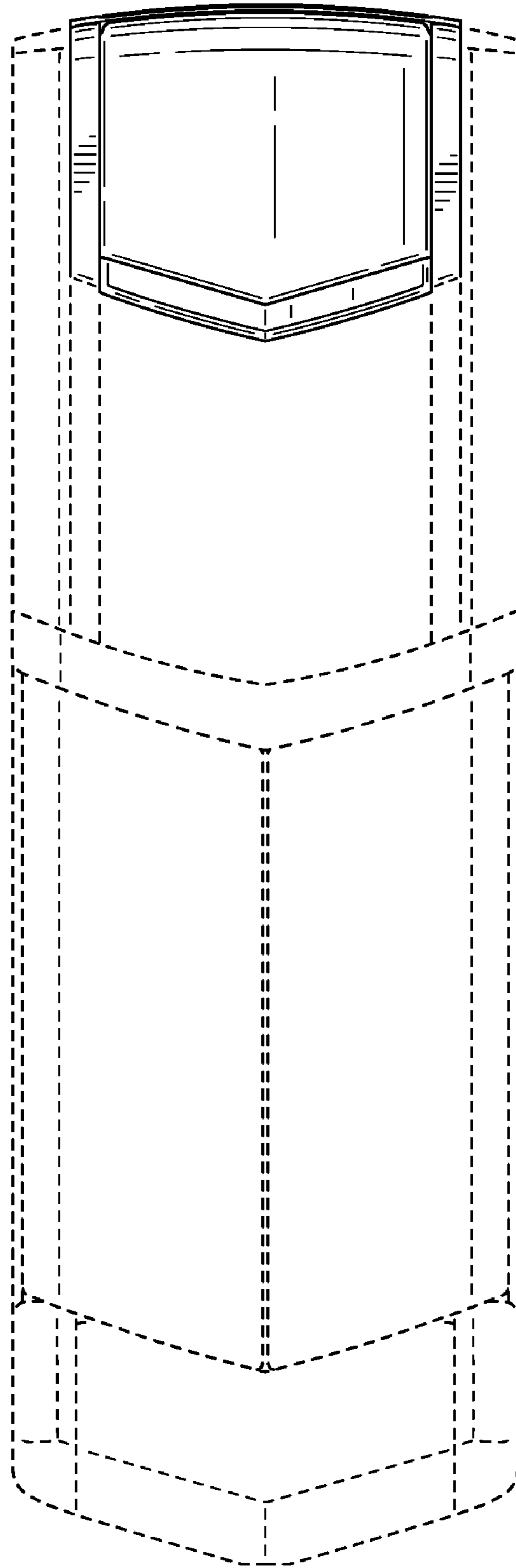


FIG. 8