



US00D604279S

(12) **United States Design Patent**
Chen et al.

(10) **Patent No.:** **US D604,279 S**

(45) **Date of Patent:** **** Nov. 17, 2009**

(54) **ANTENNA STRUCTURE**

(75) Inventors: **Li Chen**, Melbourne, FL (US); **Mark T. Montgomery**, Melbourne Beach, FL (US); **Kyle D. Brink**, Rockledge, FL (US)

(73) Assignee: **SkyCross, Inc.**, Viera, FL (US)

(**) Term: **14 Years**

(21) Appl. No.: **29/331,808**

(22) Filed: **Feb. 2, 2009**

(51) **LOC (9) Cl.** **14-03**

(52) **U.S. Cl.** **D14/230; D14/233; D14/234**

(58) **Field of Classification Search** D14/230–238,
D14/299; 343/700 R, 840, 841, 908; 455/3.02,
455/FOR. 215, 575.2

See application file for complete search history.

(56) **References Cited**

U.S. PATENT DOCUMENTS

2,480,182	A *	8/1949	Clapp	343/798
2,812,514	A *	11/1957	Smith	343/767
2,819,463	A *	1/1958	Vail et al.	343/808
D185,905	S *	8/1959	Gertz et al.	D14/232
2,975,422	A *	3/1961	Riggs et al.	343/826
D210,222	S *	2/1968	Booker	D14/234
D212,849	S *	12/1968	Miller	D14/230
D363,488	S *	10/1995	Shumaker	D14/230
D390,566	S *	2/1998	Martek et al.	D14/230

D390,569	S *	2/1998	Martek et al.	D14/233
D412,709	S *	8/1999	Lohrding et al.	D14/234
D483,030	S *	12/2003	Melton	D14/230
D551,219	S *	9/2007	Takisawa et al.	D14/230
2007/0229389	A1 *	10/2007	Seybold	343/900

* cited by examiner

Primary Examiner—T. Chase Nelson

Assistant Examiner—John Windmuller

(74) *Attorney, Agent, or Firm*—Rajesh Vallabh; Foley Hoag LLP

(57) **CLAIM**

The ornamental design for an antenna structure, as shown and described.

DESCRIPTION

FIG. 1 is a perspective view of an antenna structure showing our new design;

FIG. 2 is a rear elevation view thereof;

FIG. 3 is a bottom plan view thereof;

FIG. 4 is an enlarged view of a portion of the antenna structure shown in FIG. 3;

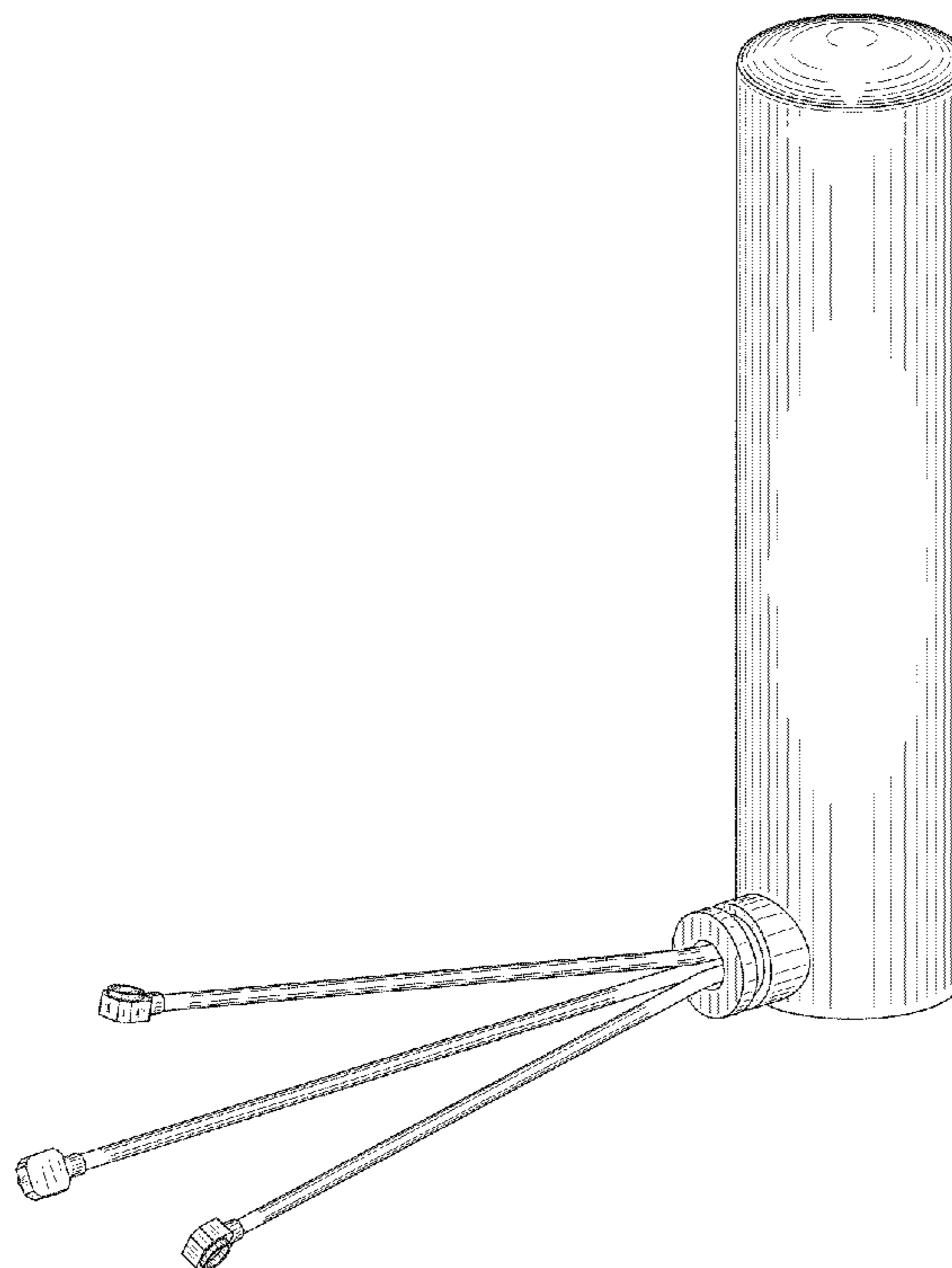
FIG. 5 is a top plan view thereof;

FIG. 6 is a left side elevation view thereof;

FIG. 7 is a front elevation view thereof; and,

FIG. 8 is a right side elevation view thereof.

1 Claim, 2 Drawing Sheets



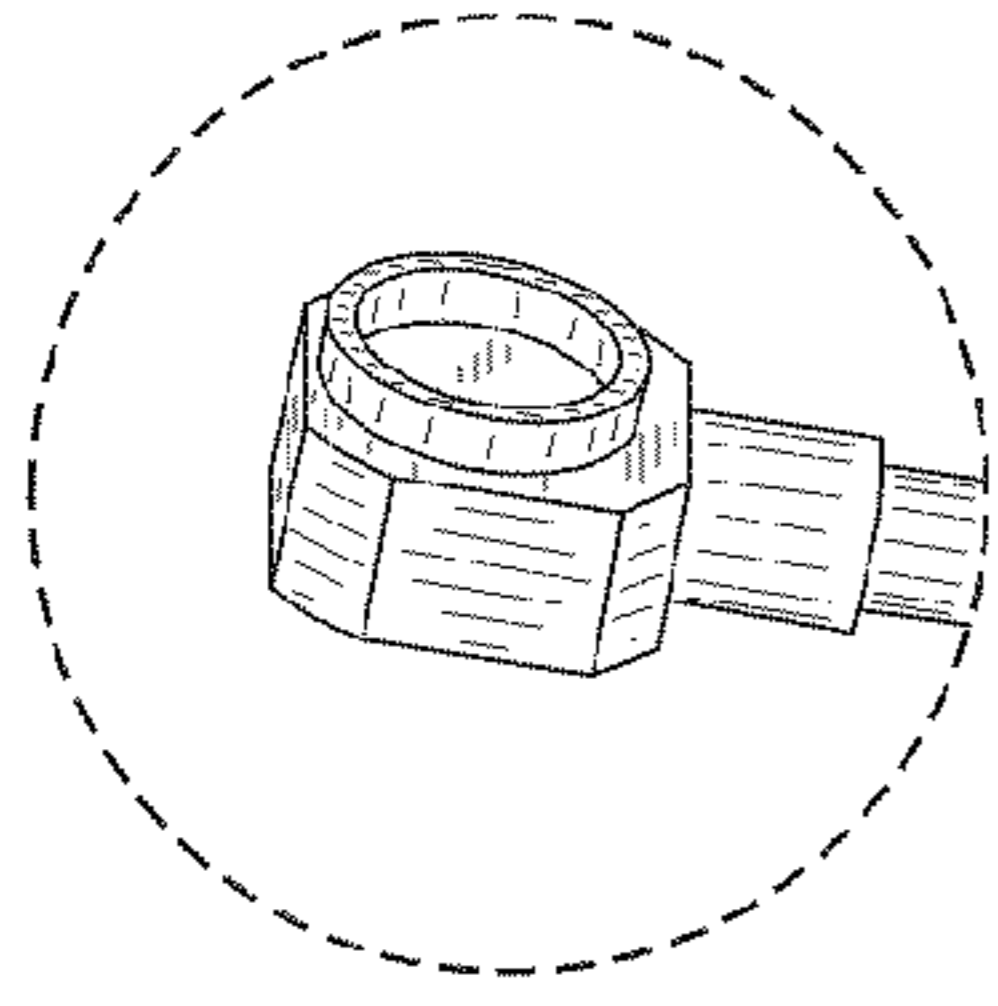


FIG. 4

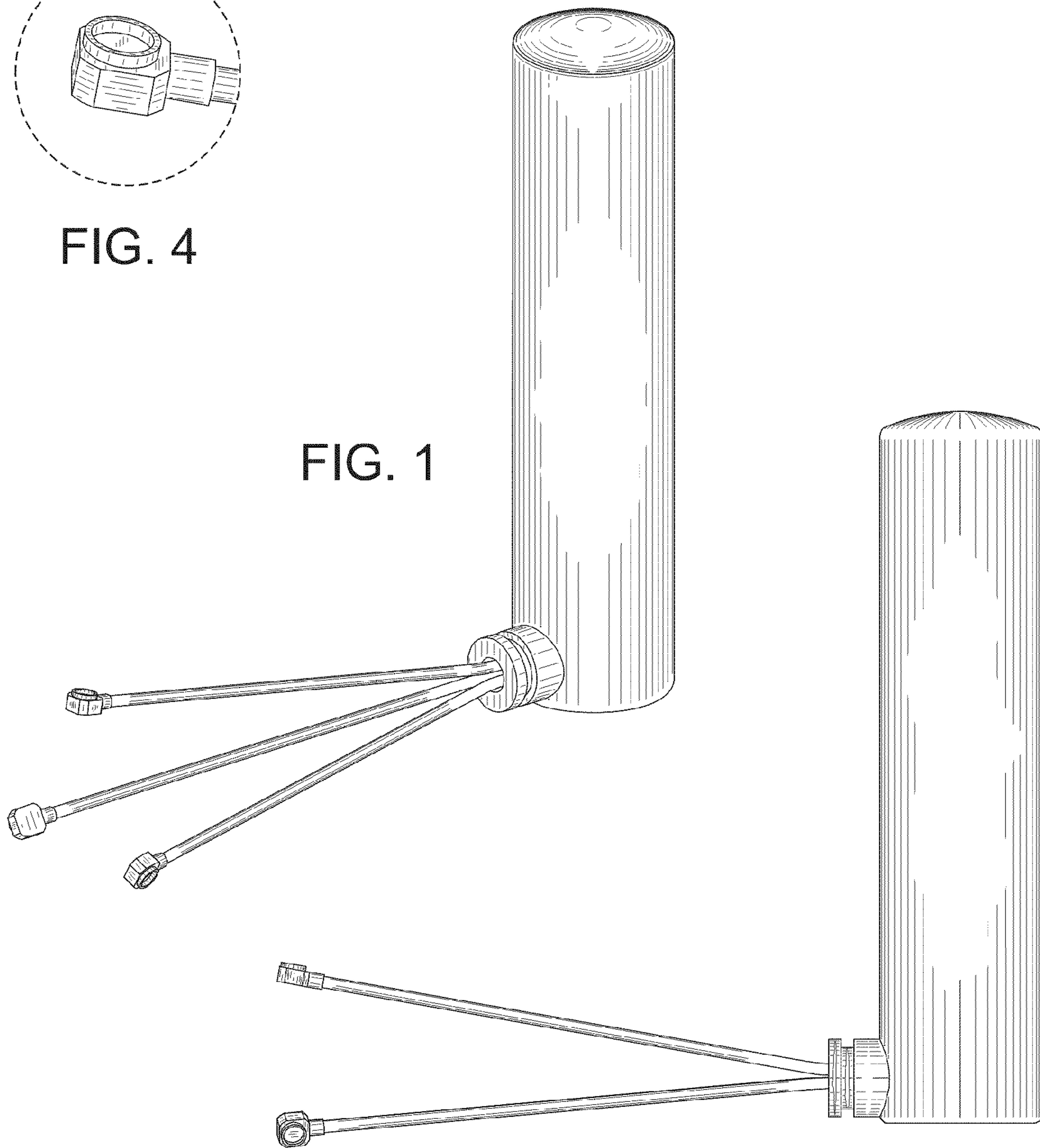


FIG. 1

FIG. 2

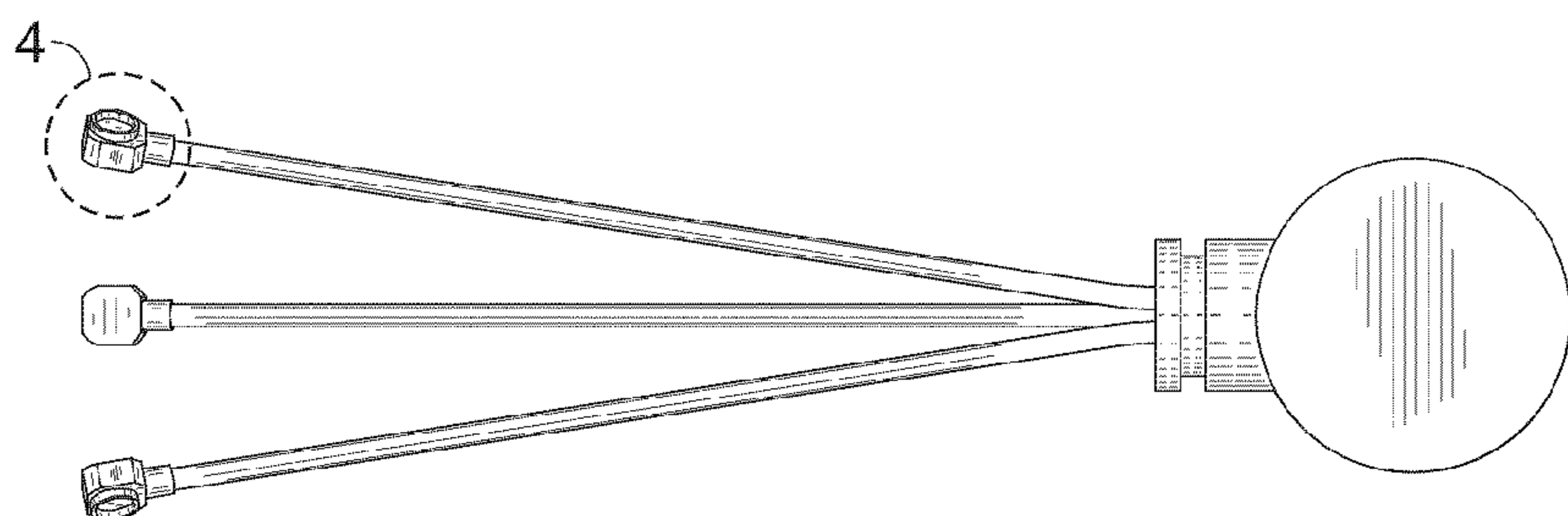


FIG. 3

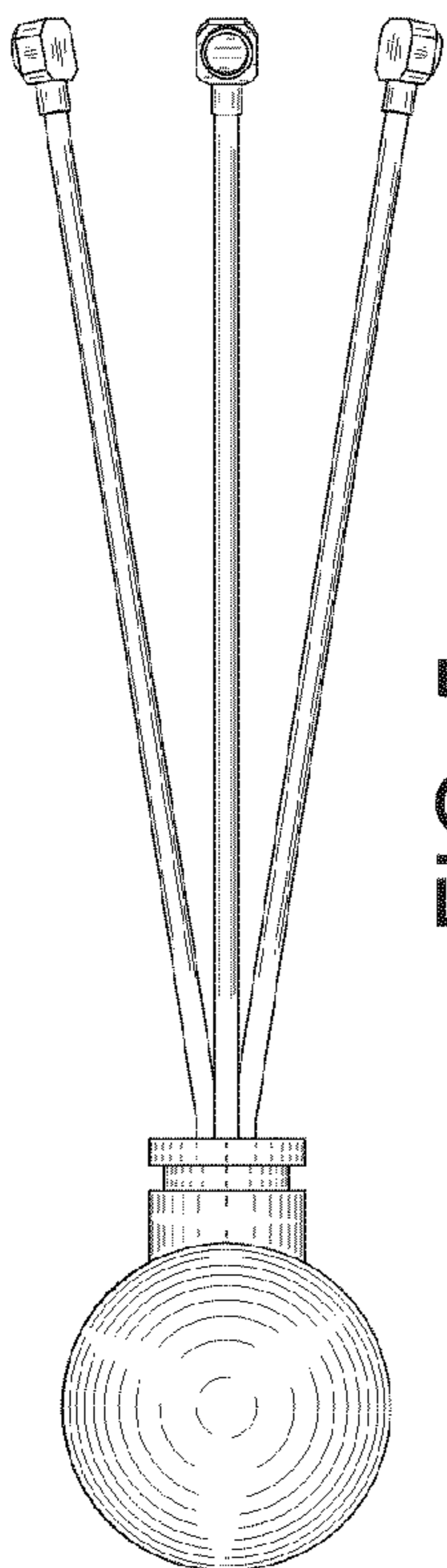


FIG. 5



FIG. 8

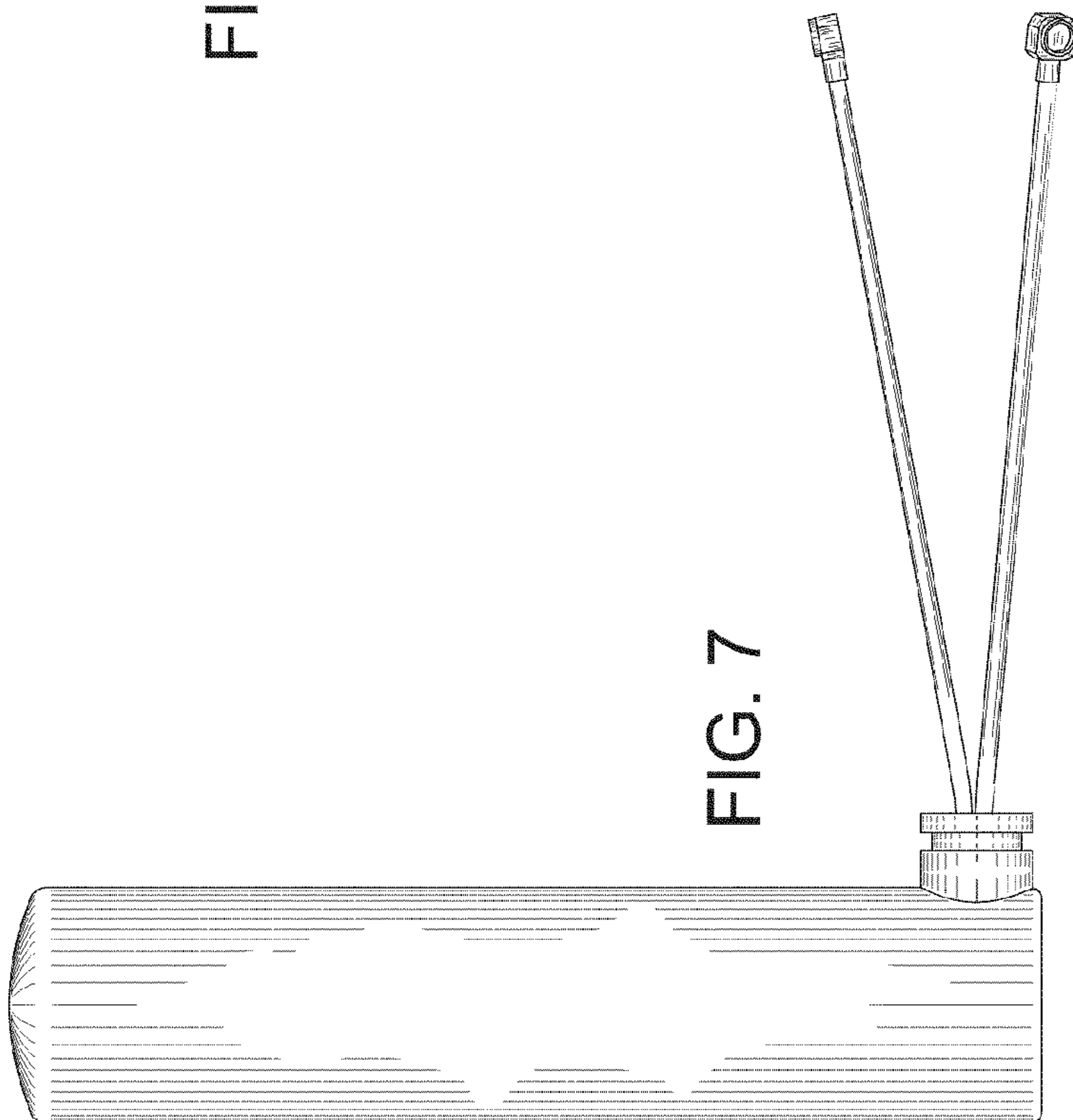


FIG. 7

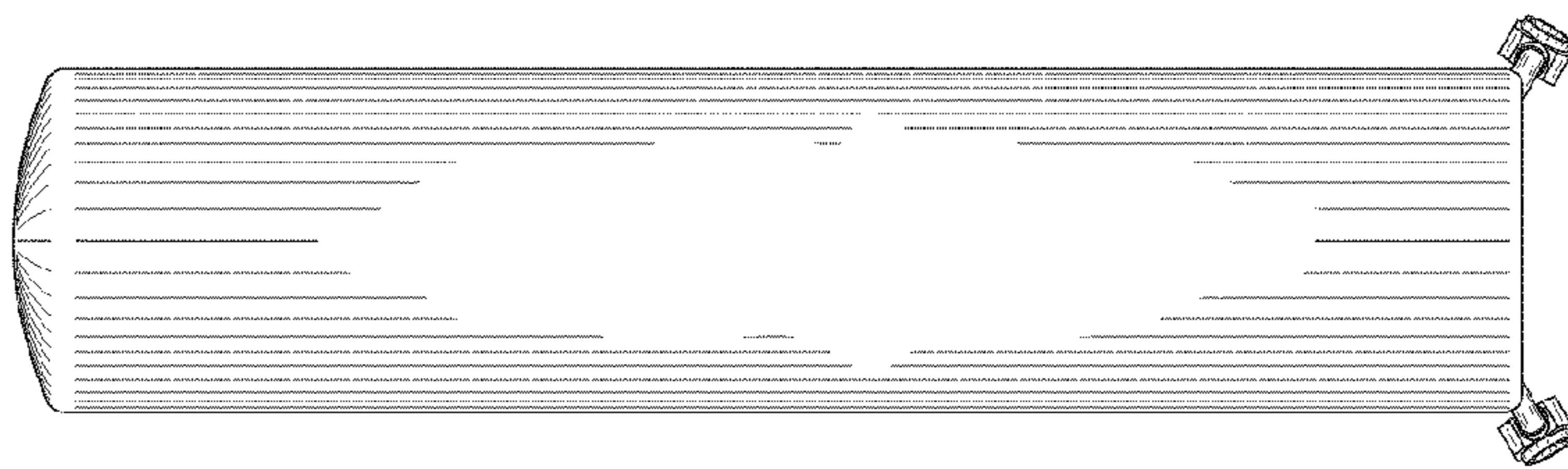


FIG. 6