



US00D604277S

(12) **United States Design Patent**
Benedetti

(10) **Patent No.:** **US D604,277 S**

(45) **Date of Patent:** **** Nov. 17, 2009**

(54) **ANTENNA HOUSING**

(75) **Inventor:** **David A. Benedetti**, Carmel, IN (US)

(73) **Assignee:** **Audiovox Corporation**, Hauppauge, NY (US)

(**) **Term:** **14 Years**

(21) **Appl. No.:** **29/313,439**

(22) **Filed:** **Jan. 7, 2009**

(51) **LOC (9) Cl.** **14-03**

(52) **U.S. Cl.** **D14/230; D14/233**

(58) **Field of Classification Search** D14/230–238,
D14/299; 343/700 R, 840, 841, 908; 455/3.02,
455/FOR. 215, 575.2

See application file for complete search history.

(56) **References Cited**

U.S. PATENT DOCUMENTS

1,619,981	A *	3/1927	Knut	379/454
2,489,287	A *	11/1949	Guarino et al.	343/848
D172,500	S *	6/1954	Gurmin	D14/234
3,829,863	A *	8/1974	Lipsky	343/773
4,218,684	A *	8/1980	Northcutt	343/715
4,278,955	A *	7/1981	Lunden	333/33
D271,766	S *	12/1983	Eckmann et al.	D14/233
D282,172	S *	1/1986	Mabuchi	D14/233
D284,965	S *	8/1986	Nakamura	D14/233
D358,115	S *	5/1995	Rahr	D11/144
5,517,203	A *	5/1996	Fiedziuszko	343/756
D416,173	S *	11/1999	Hersch	D7/514

D430,456	S *	9/2000	Thuma	D7/509
6,271,799	B1 *	8/2001	Rief et al.	343/776
D476,646	S *	7/2003	Burns	D14/231
D531,452	S *	11/2006	Toth	D7/523
D575,987	S *	9/2008	Williams	D7/523
D577,959	S *	10/2008	Sandberg	D7/523
D582,534	S *	12/2008	Conway et al.	D23/366
D588,252	S *	3/2009	Conway et al.	D23/366
2006/0125706	A1 *	6/2006	Amyotte et al.	343/786
2007/0296641	A1 *	12/2007	Cook	343/786

* cited by examiner

Primary Examiner—T. Chase Nelson

Assistant Examiner—John Windmuller

(74) *Attorney, Agent, or Firm*—Gerald T. Bodner

(57) **CLAIM**

The ornamental design for an antenna housing, as shown and described.

DESCRIPTION

FIG. 1 is a top isometric view of an antenna housing showing my new design;

FIG. 2 is a bottom isometric view thereof;

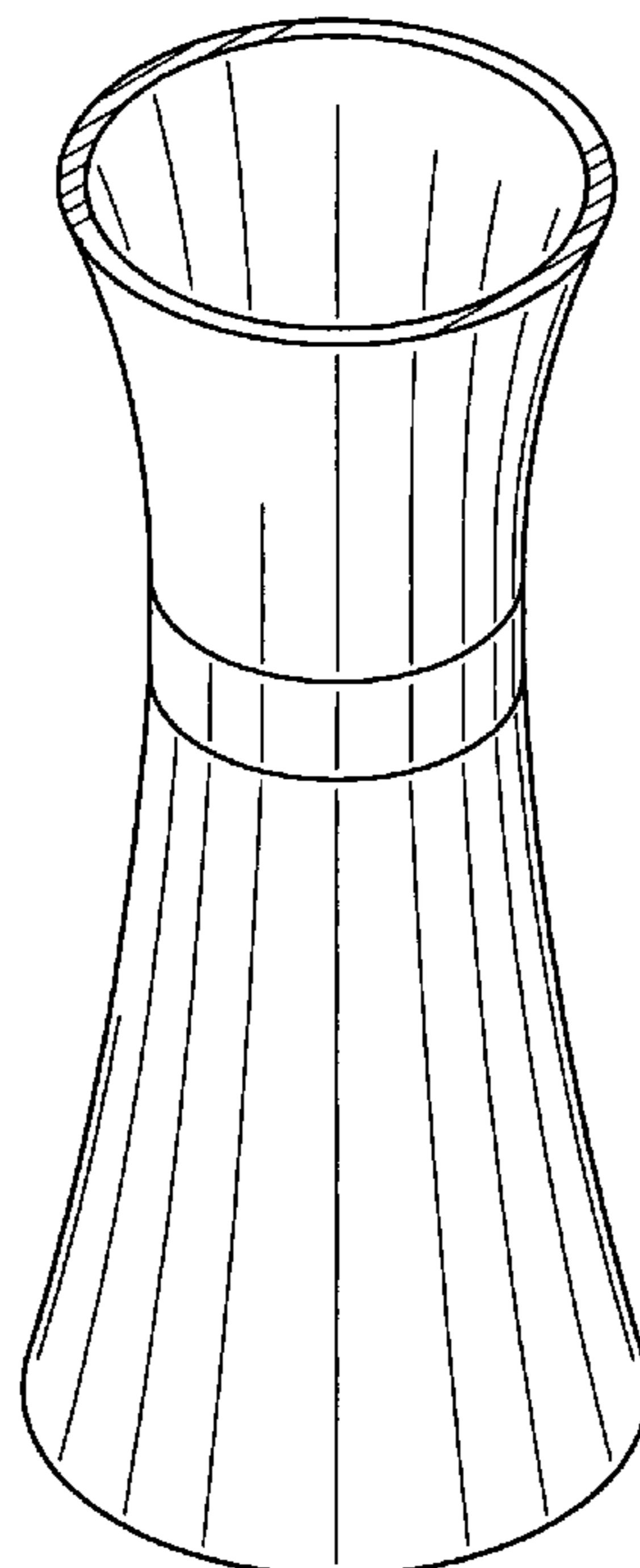
FIG. 3 is a front elevational view thereof;

FIG. 4 is a top plan view thereof; and,

FIG. 5 is a bottom plan view thereof.

The broken-line circle in FIG. 4 represents the boundary of the claim. The surface within the broken-line boundary is not part of the claimed design.

1 Claim, 2 Drawing Sheets



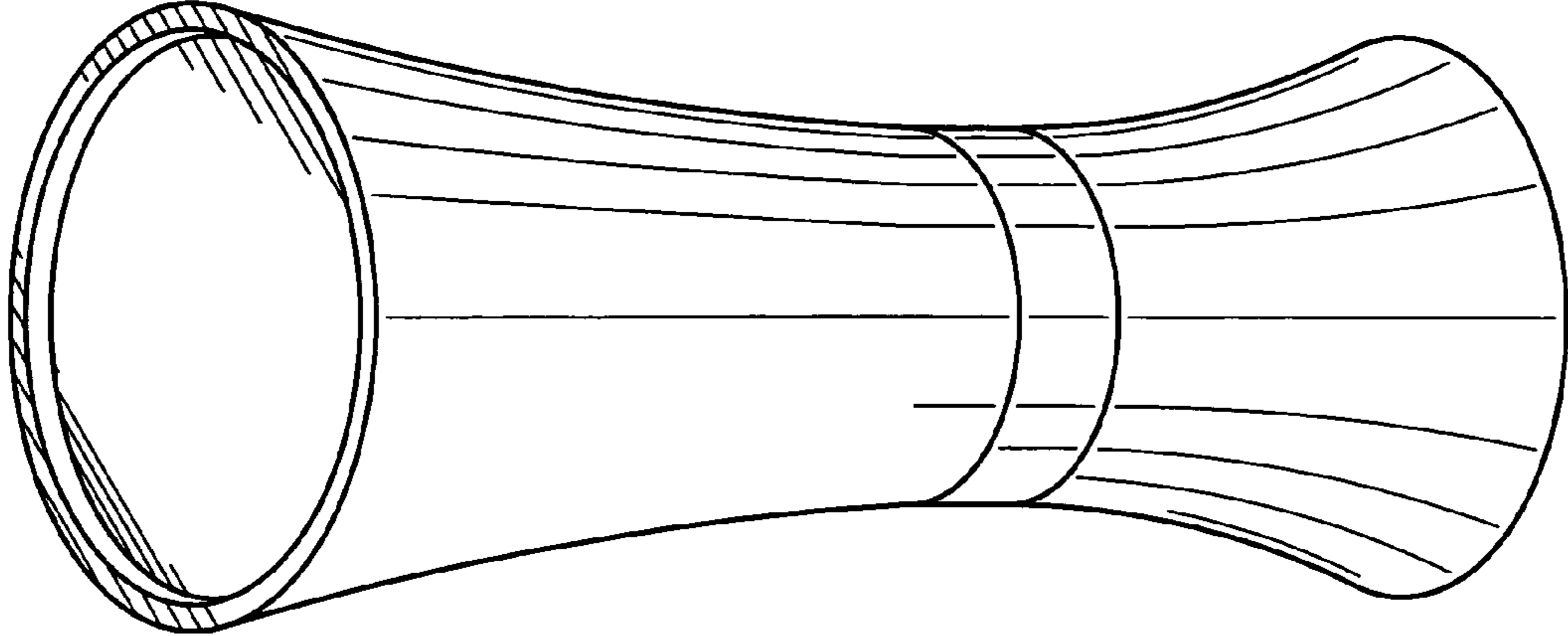


FIG. 2

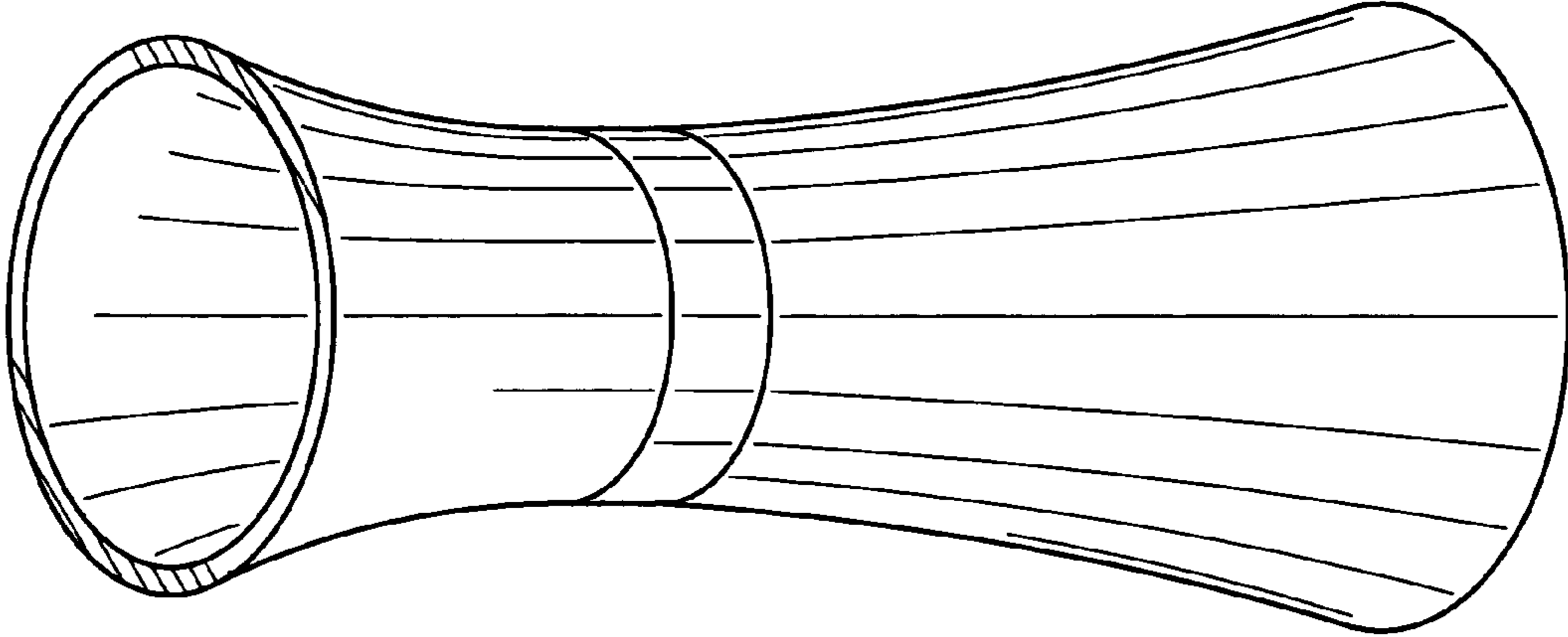


FIG. 1

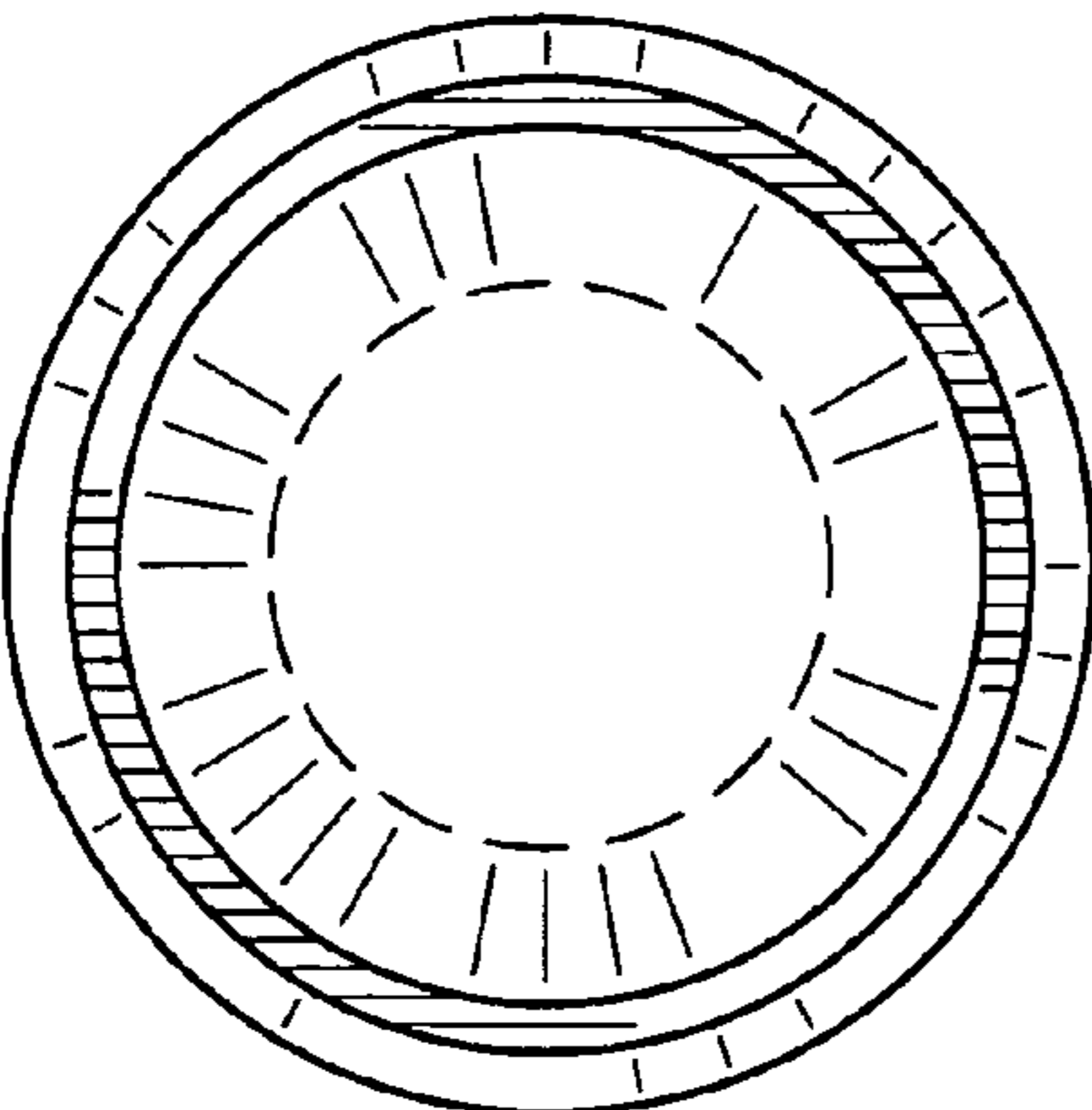


FIG. 4

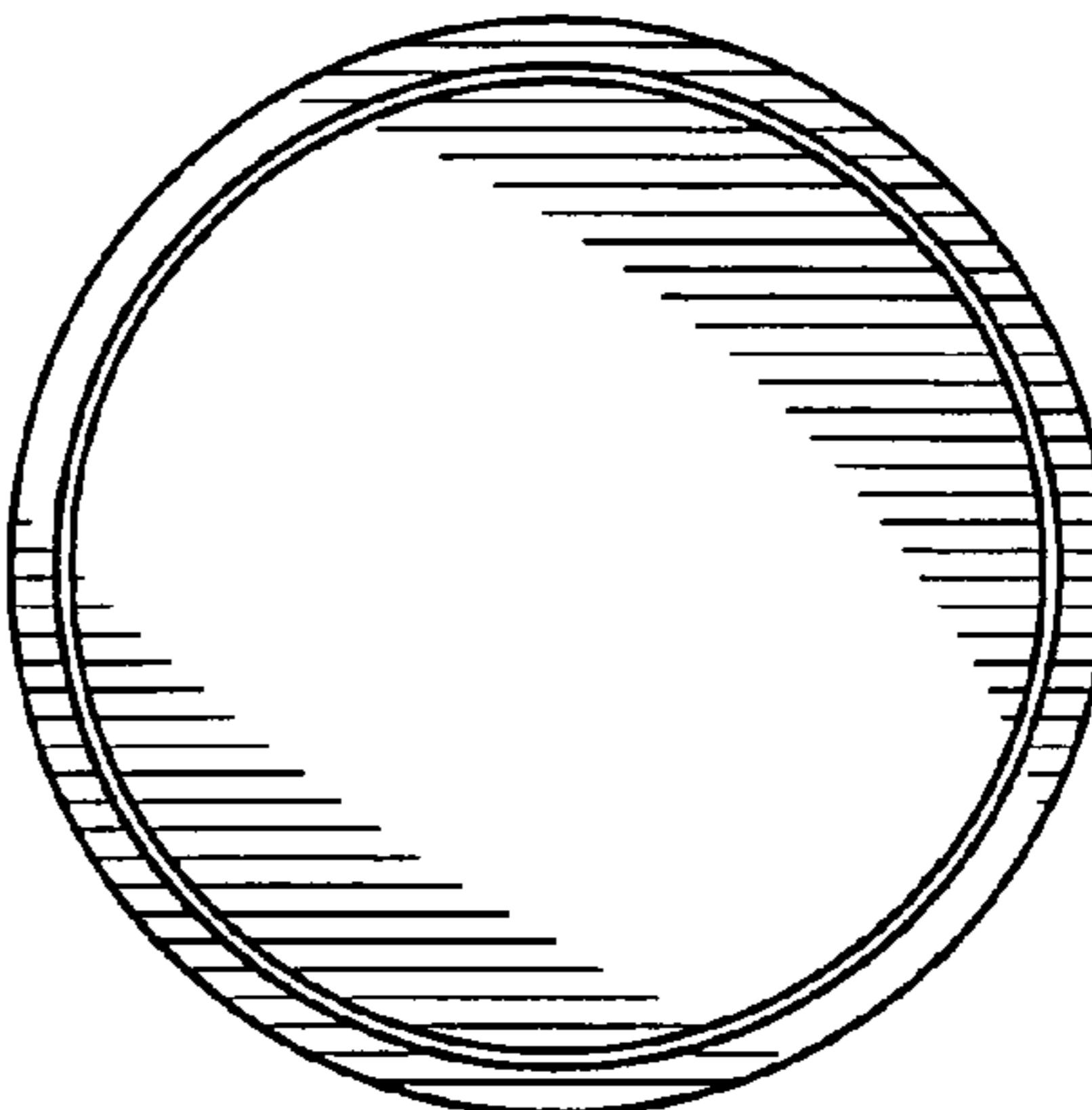


FIG. 5

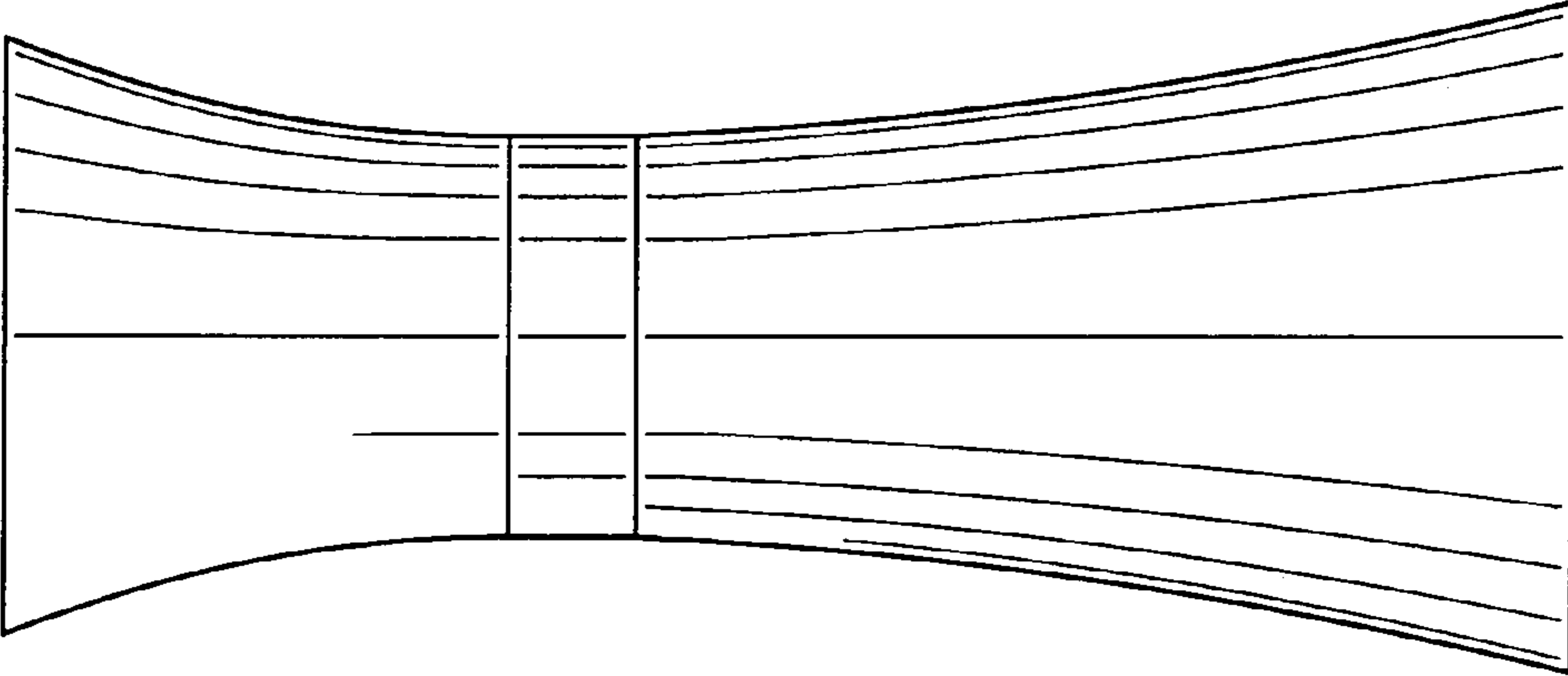


FIG. 3