



US00D604272S

(12) **United States Design Patent**
Kitayama

(10) **Patent No.:** **US D604,272 S**

(45) **Date of Patent:** **** Nov. 17, 2009**

(54) **EARPHONE**

(75) Inventor: **Sohei Kitayama**, Tokyo (JP)

(73) Assignee: **Sony Corporation**, Tokyo (JP)

(**) Term: **14 Years**

(21) Appl. No.: **29/311,256**

(22) Filed: **Jan. 30, 2009**

(30) **Foreign Application Priority Data**

Jul. 31, 2008 (JP) D2008-019809

(51) **LOC (9) Cl.** **14-01**

(52) **U.S. Cl.** **D14/223**

(58) **Field of Classification Search** D14/205,
D14/206, 223; 181/128, 129, 130, 135; 379/430,
379/431, 433.01, 433.02, 433.03, 433.04,
379/433.05, 433.06, 420.01, 420.02; 381/380,
381/381, 370, 371, 373; D24/106, 174; 455/90.3,
455/569.1, 575.1
See application file for complete search history.

(56) **References Cited**

U.S. PATENT DOCUMENTS

D340,932 S	*	11/1993	Yan	D14/249
D353,379 S		12/1994	Nakamura et al.		
D357,921 S	*	5/1995	Ming-Chin	D14/223
D369,349 S	*	4/1996	Hayashi	D14/223
D371,368 S		7/1996	Hayashi et al.		
D377,796 S		2/1997	Hayashi		
D382,874 S	*	8/1997	Peschke et al.	D14/142
D463,397 S	*	9/2002	Bergfeldt	D14/205
D512,992 S		12/2005	Murakami		
D517,053 S	*	3/2006	Ham	D14/223
D517,054 S	*	3/2006	Yang	D14/223
D519,109 S	*	4/2006	Perszyk et al.	D14/223
D538,784 S	*	3/2007	Eklund	D14/205
D539,268 S	*	3/2007	Suzuki	D14/206
D542,782 S	*	5/2007	Pena Angarita	D14/223
D550,655 S	*	9/2007	Falco	D14/223
D550,657 S	*	9/2007	Gan et al.	D14/223
D562,809 S		2/2008	Yang et al.		
D566,099 S		4/2008	Komiyama et al.		
D572,242 S	*	7/2008	Yang	D14/223
D579,923 S	*	11/2008	Andre et al.	D14/223

D583,804 S	*	12/2008	Mahler et al.	D14/223
D586,332 S	*	2/2009	Ewert et al.	D14/223
D587,681 S	*	3/2009	Yanai	D14/205
D587,685 S	*	3/2009	Densho	D14/206
D589,493 S	*	3/2009	Densho	D14/206
D590,375 S	*	4/2009	Komiyama	D14/223
D591,721 S	*	5/2009	Densho	D14/205
D593,537 S	*	6/2009	Arimoto	D14/205
D593,547 S	*	6/2009	Kim et al.	D14/223
D593,997 S	*	6/2009	Mauritzsson	D14/223

FOREIGN PATENT DOCUMENTS

JP	D1292673 S	2/2007
JP	D1320751 S	2/2008
JP	D1322556 S	2/2008
JP	D1322947 S	2/2008
JP	D1337827 S	8/2008
JP	D1337828 S	8/2008

OTHER PUBLICATIONS

Web page, "MDR-EX85SL" <http://av.watch.impress.co.jp/docs/20060913/sony2.htm>, 6 page, Sony (Sep. 2006).

* cited by examiner

Primary Examiner—Paula Greene

(74) *Attorney, Agent, or Firm*—Rader, Fishman & Grauer, PLLC

(57) **CLAIM**

The ornamental design for an earphone, as shown.

DESCRIPTION

FIG. 1 is a front right top perspective view of an earphone showing my new design;

FIG. 2 is a rear left top perspective view thereof;

FIG. 3 is a front elevational view thereof;

FIG. 4 is a rear elevational view thereof;

FIG. 5 is a left side elevational view thereof;

FIG. 6 is a right side elevational view thereof;

FIG. 7 is a top plan view thereof; and,

FIG. 8 is a bottom plan view thereof.

1 Claim, 8 Drawing Sheets

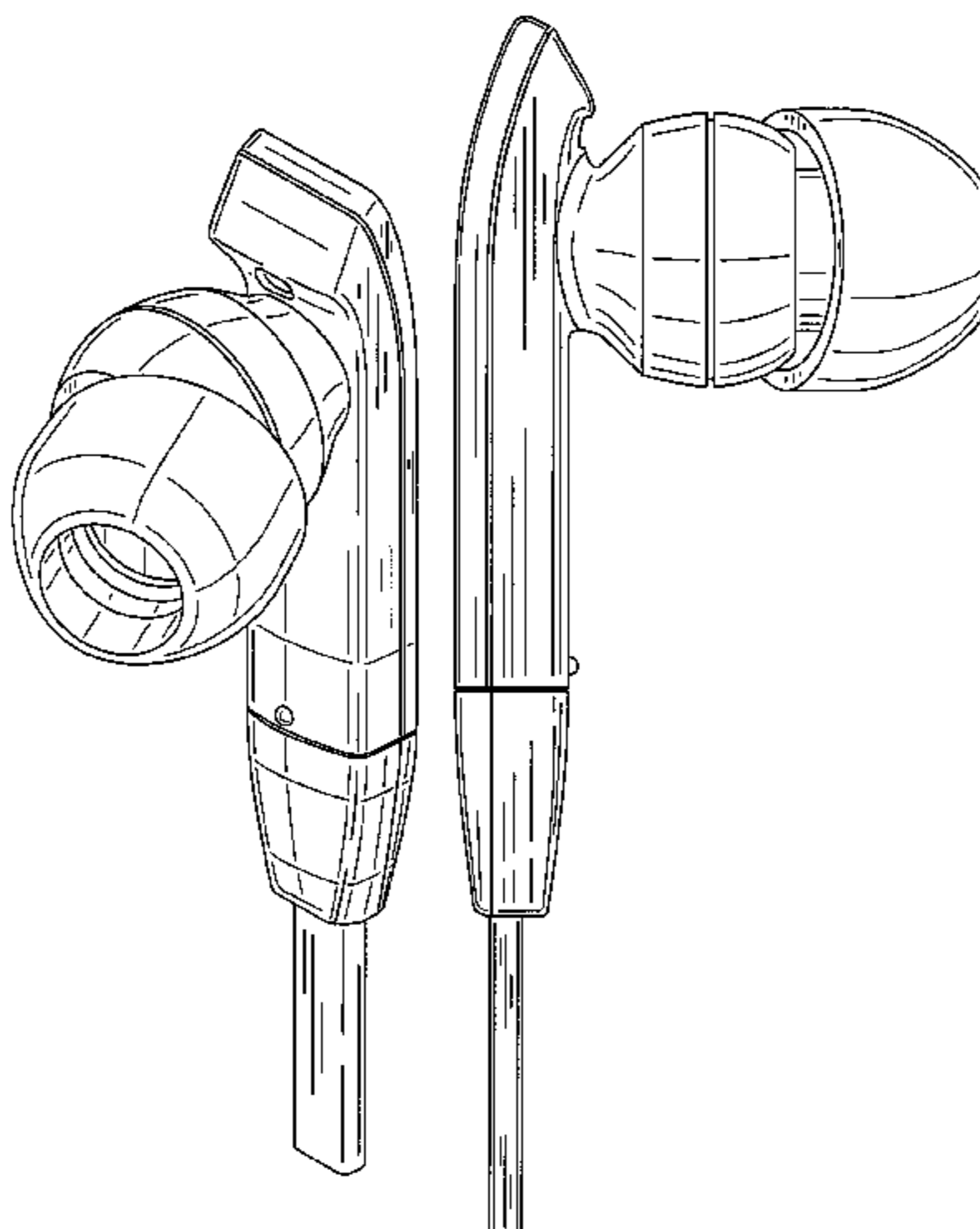


Fig. 1

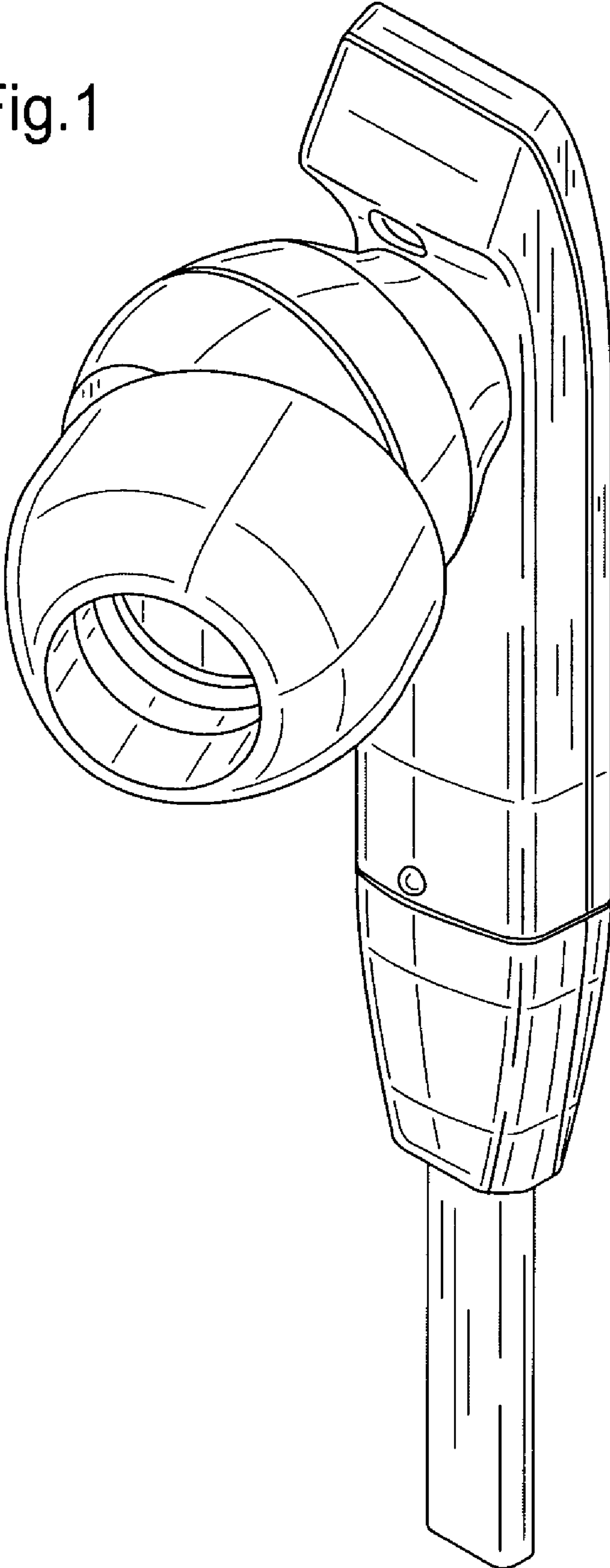


Fig.2

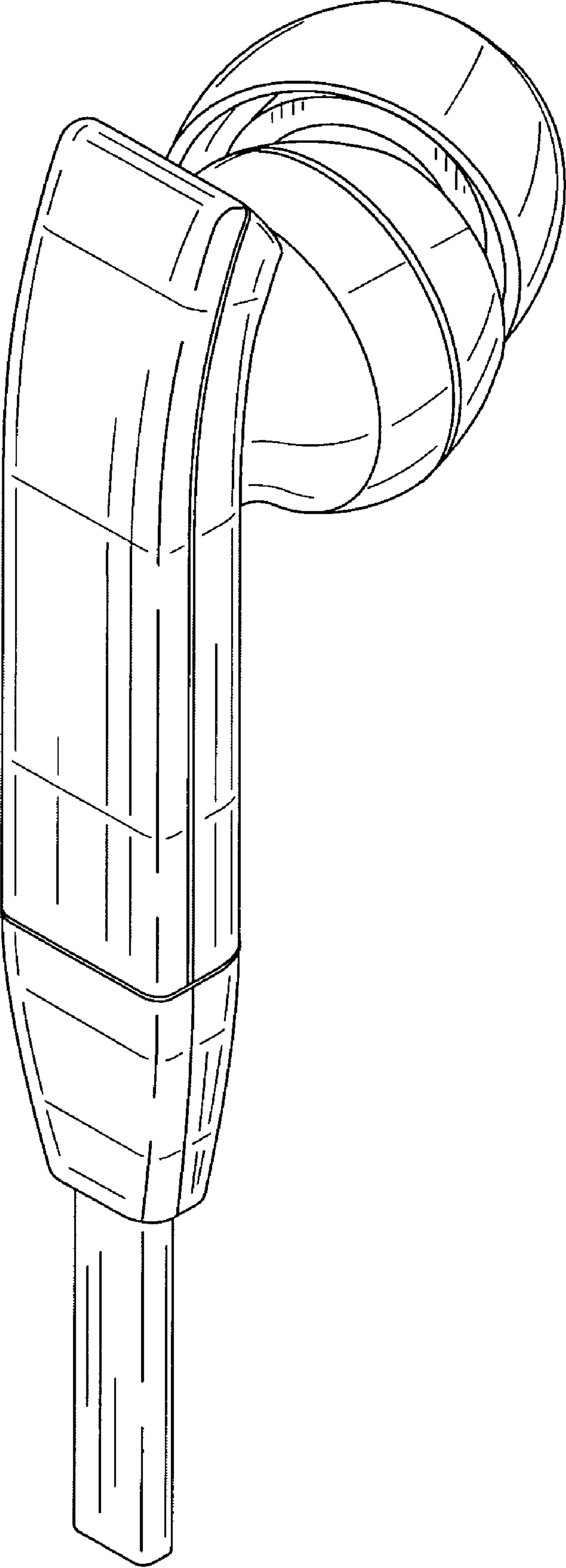


Fig.3

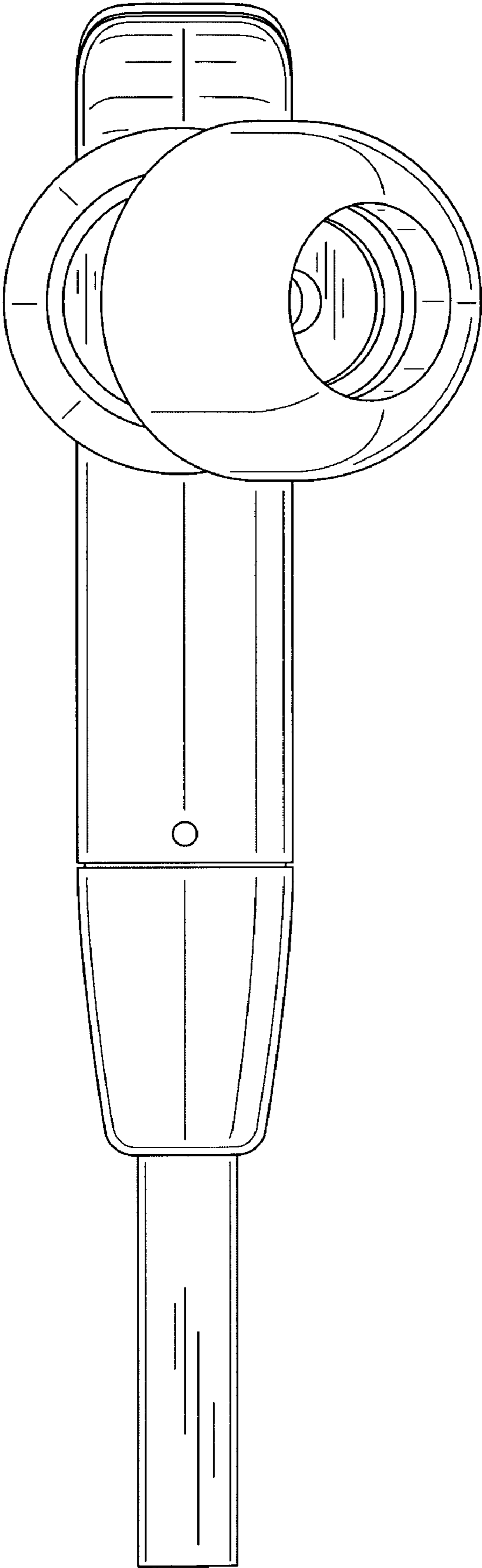


Fig.4

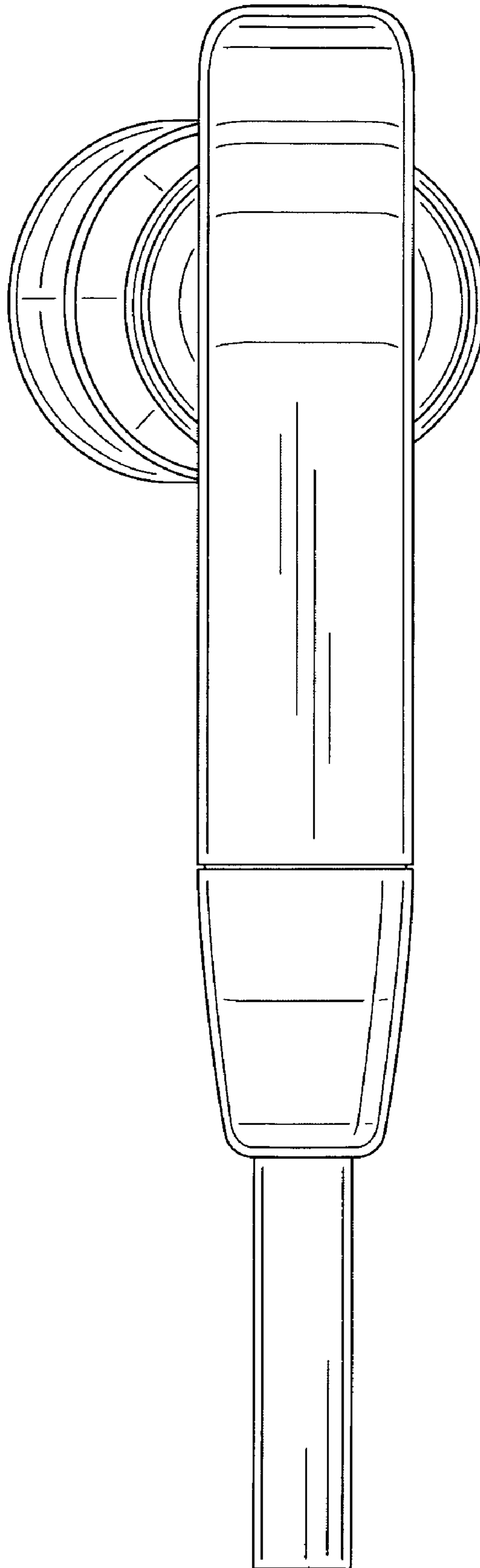


Fig.5

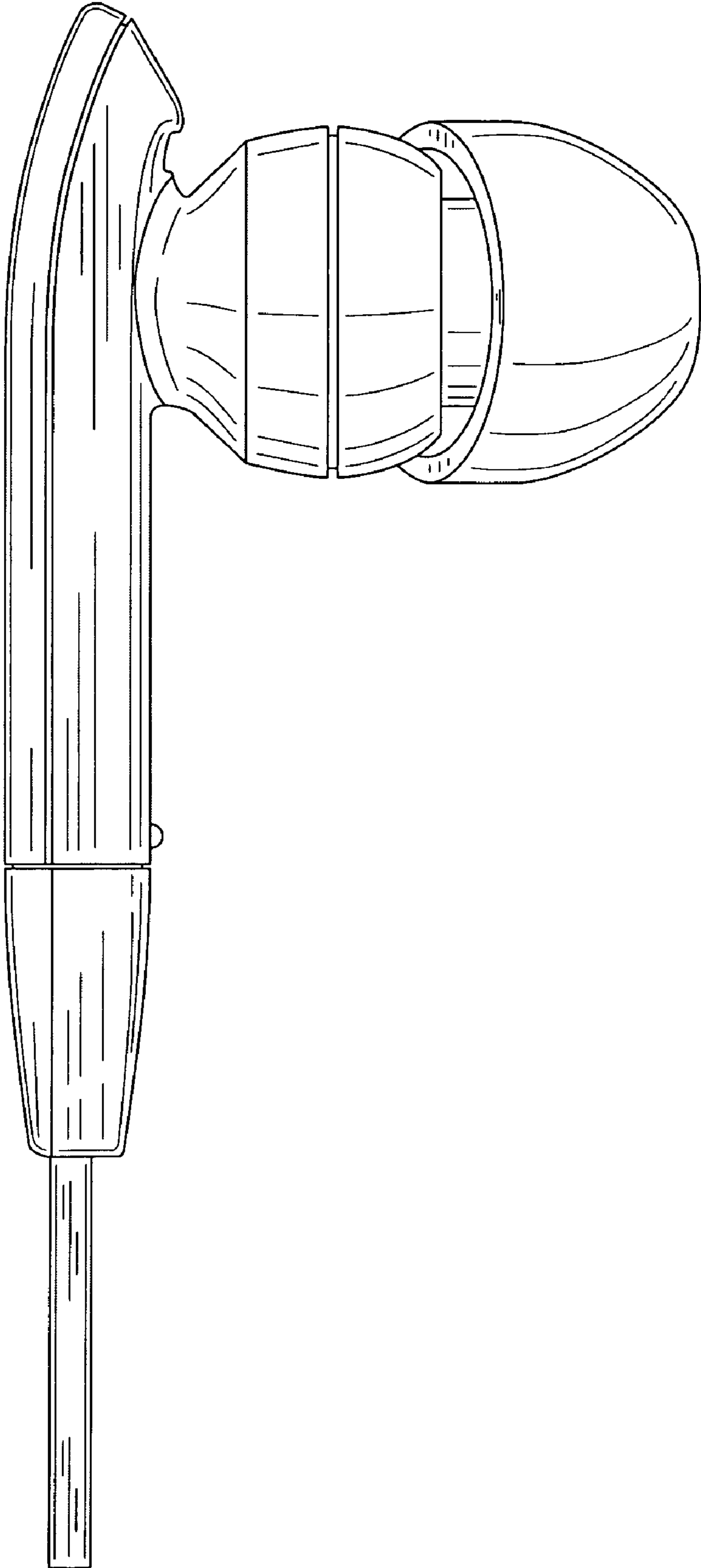


Fig.6

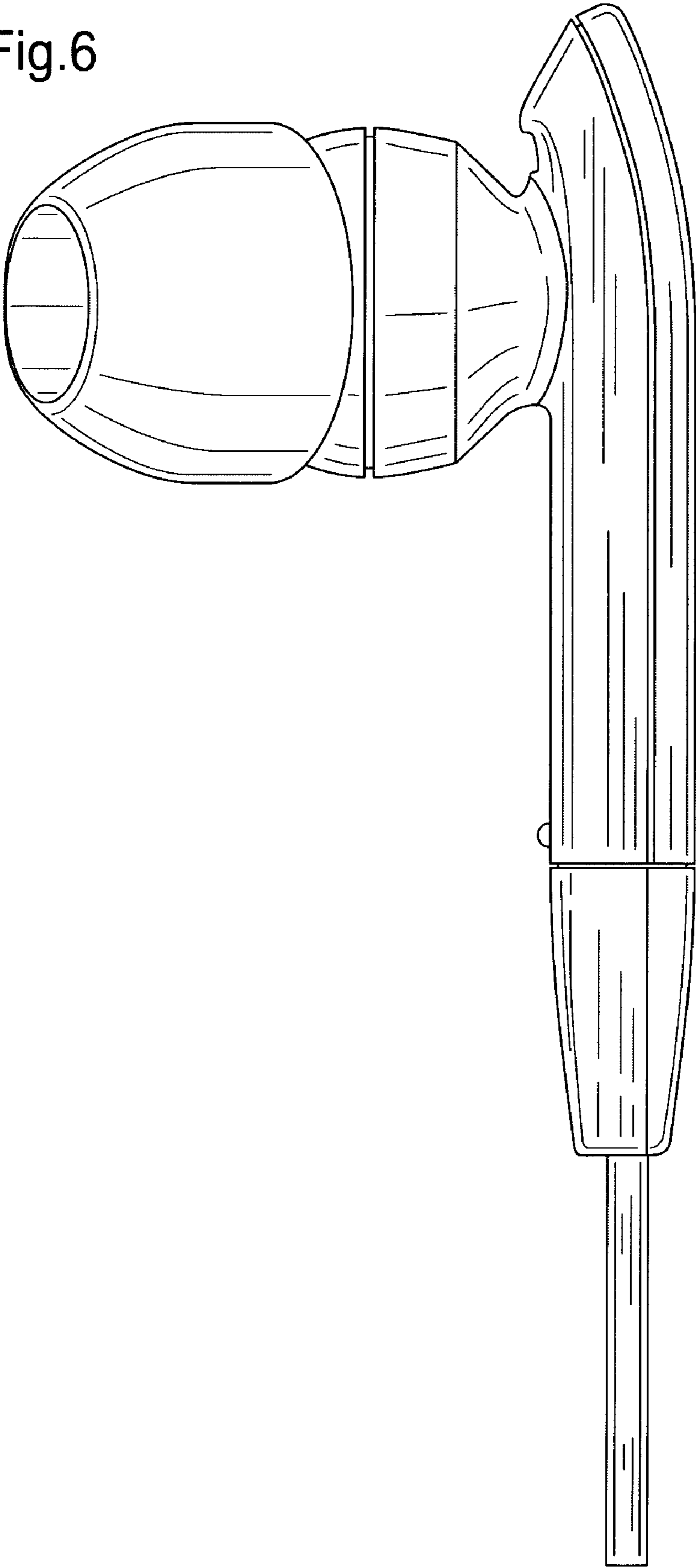


Fig.7

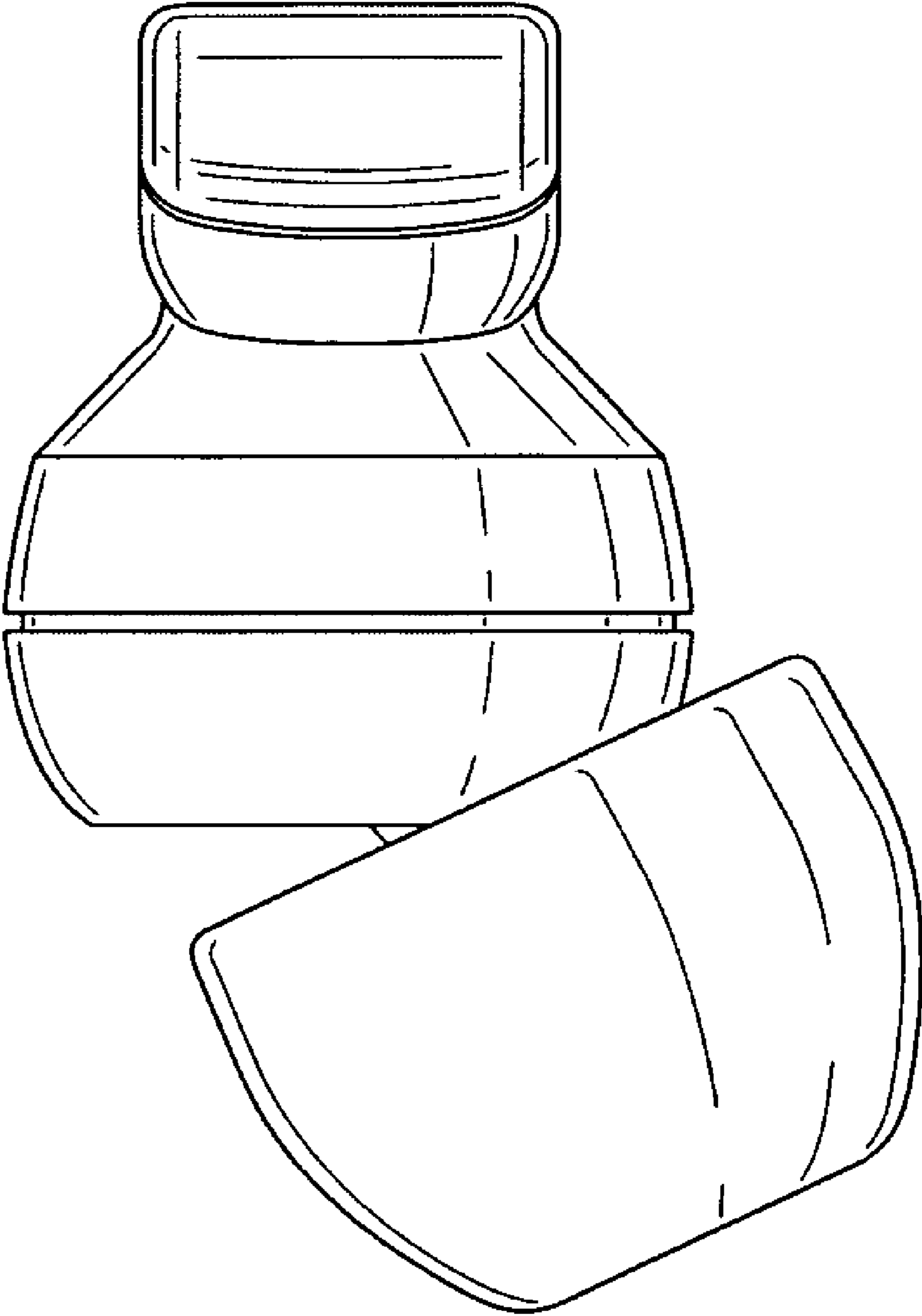


Fig.8

