



US00D604271S

(12) **United States Design Patent**  
**Lewis et al.**

(10) **Patent No.:** **US D604,271 S**  
(45) **Date of Patent:** **\*\* Nov. 17, 2009**

(54) **CRADLE FOR WIRELESS REMOTE CONTROL DEVICE**

D534,489 S \* 1/2007 Klein et al. .... D13/108  
D549,707 S \* 8/2007 Depay ..... D14/434  
D558,749 S \* 1/2008 Furuno et al. .... D14/253  
D562,302 S \* 2/2008 Franck et al. .... D14/149

(75) Inventors: **Andrew Lewis**, Lee, NH (US); **Erik L. van Bergen**, Derry, NH (US)

\* cited by examiner

(73) Assignee: **Russound/FMP, Inc.**, Newmarket, NH (US)

*Primary Examiner*—T. Chase Nelson  
*Assistant Examiner*—John Windmuller

(\*\*) Term: **14 Years**

(74) *Attorney, Agent, or Firm*—Weingarten, Schurgin, Gagnebin & Lebovici LLP

(21) Appl. No.: **29/291,573**

(57) **CLAIM**

(22) Filed: **Sep. 5, 2007**

The ornamental design for a cradle for wireless remote control device, as shown and described.

(51) **LOC (9) Cl.** ..... **14-03**

(52) **U.S. Cl.** ..... **D14/218**

(58) **Field of Classification Search** ..... D14/218,  
D14/455, 434, 454, 217, 149, 251, 253; D13/168,  
D13/108; 455/92, 95, 128, 151.1–151.4,  
455/352, 355, FOR. 121; 700/65; 345/169;  
348/14.05, 114

**DESCRIPTION**

See application file for complete search history.

FIG. 1 is a perspective view of the cradle for wireless remote control device;

FIG. 2 is a right side view of the cradle for wireless remote control device;

FIG. 3 is a left side view of the cradle for wireless remote control device;

FIG. 4 is a top view of the cradle for wireless remote control device;

FIG. 5 is a bottom view of the cradle for wireless remote control device;

FIG. 6 is a front view of the cradle for wireless remote control device; and,

FIG. 7 is a back view of the cradle for wireless remote control device.

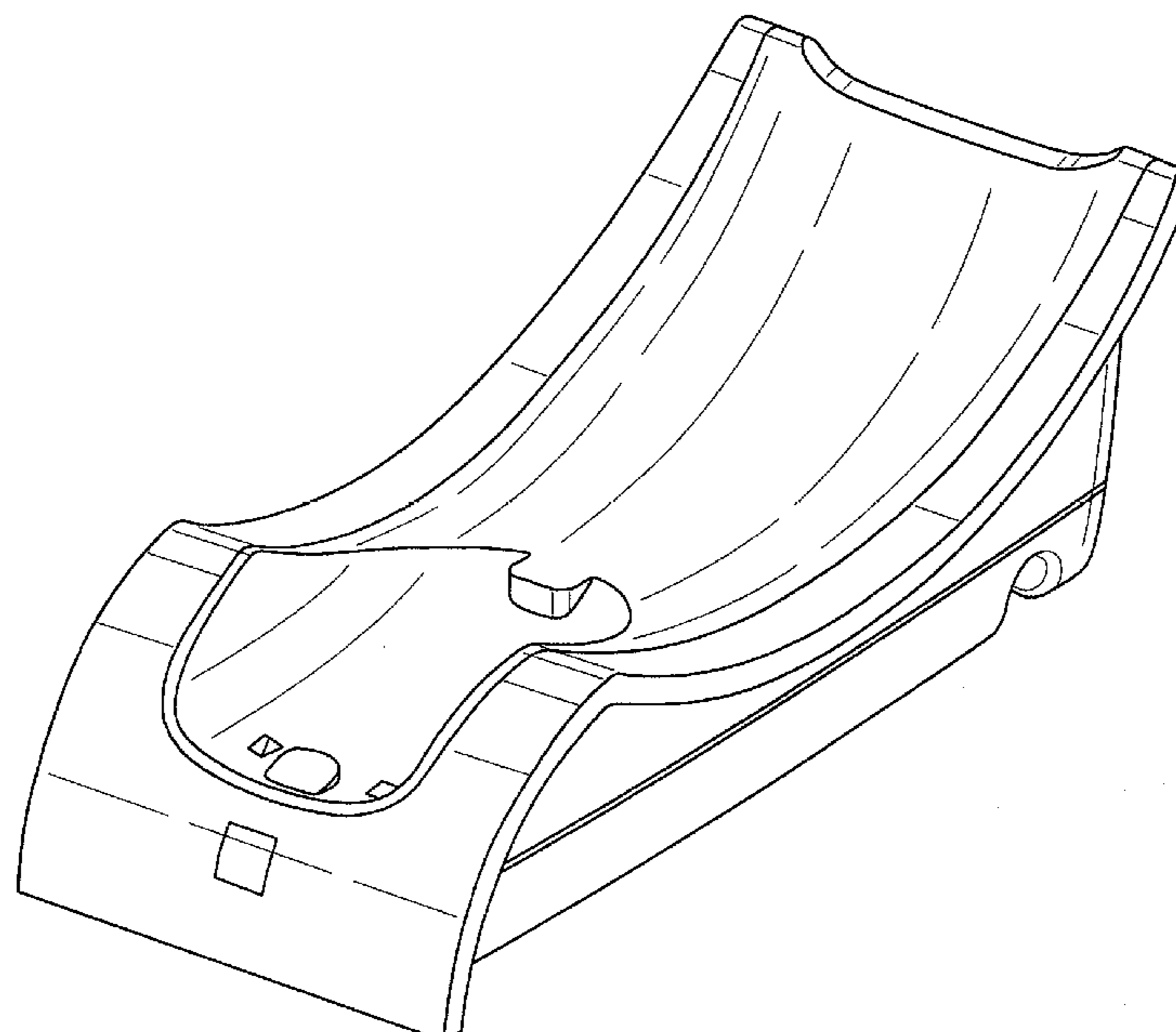
The broken lines in the figures depict portions of the cradle that form no part of the claimed design.

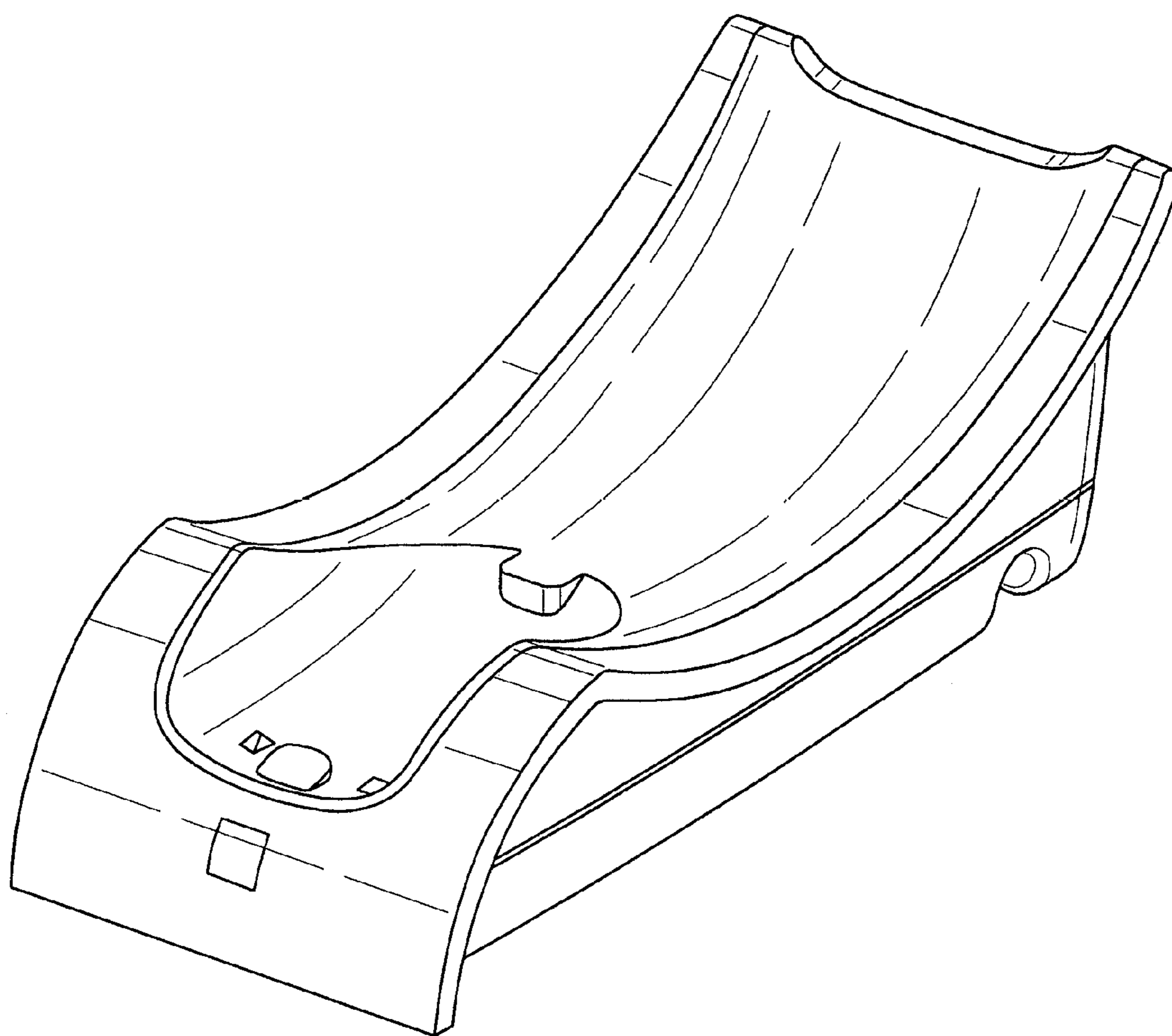
(56) **References Cited**

U.S. PATENT DOCUMENTS

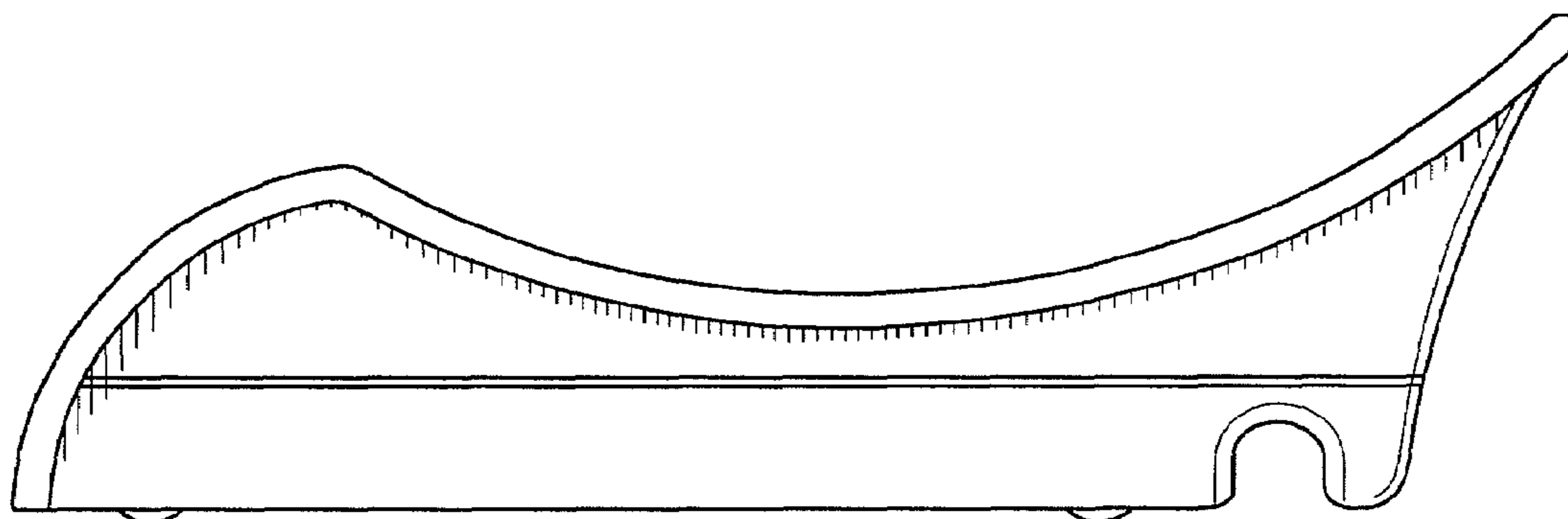
- D285,069 S \* 8/1986 Tsukamoto et al. .... D14/151
- D316,411 S \* 4/1991 Faliero ..... D14/147
- D323,505 S \* 1/1992 Faliero ..... D14/151
- D331,759 S \* 12/1992 Renard ..... D14/151
- D360,723 S \* 7/1995 Kasai et al. .... D32/73
- D362,004 S \* 9/1995 Nakano et al. .... D14/253
- D368,479 S \* 4/1996 Larson ..... D14/253
- D377,015 S \* 12/1996 Ford et al. .... D14/149
- D380,754 S \* 7/1997 Constantine et al. .... D14/150
- D398,927 S \* 9/1998 Read et al. .... D14/149
- D470,136 S \* 2/2003 Chin ..... D14/253
- D514,543 S \* 2/2006 Himmel ..... D14/149
- D530,273 S \* 10/2006 Solland ..... D13/108

**1 Claim, 3 Drawing Sheets**

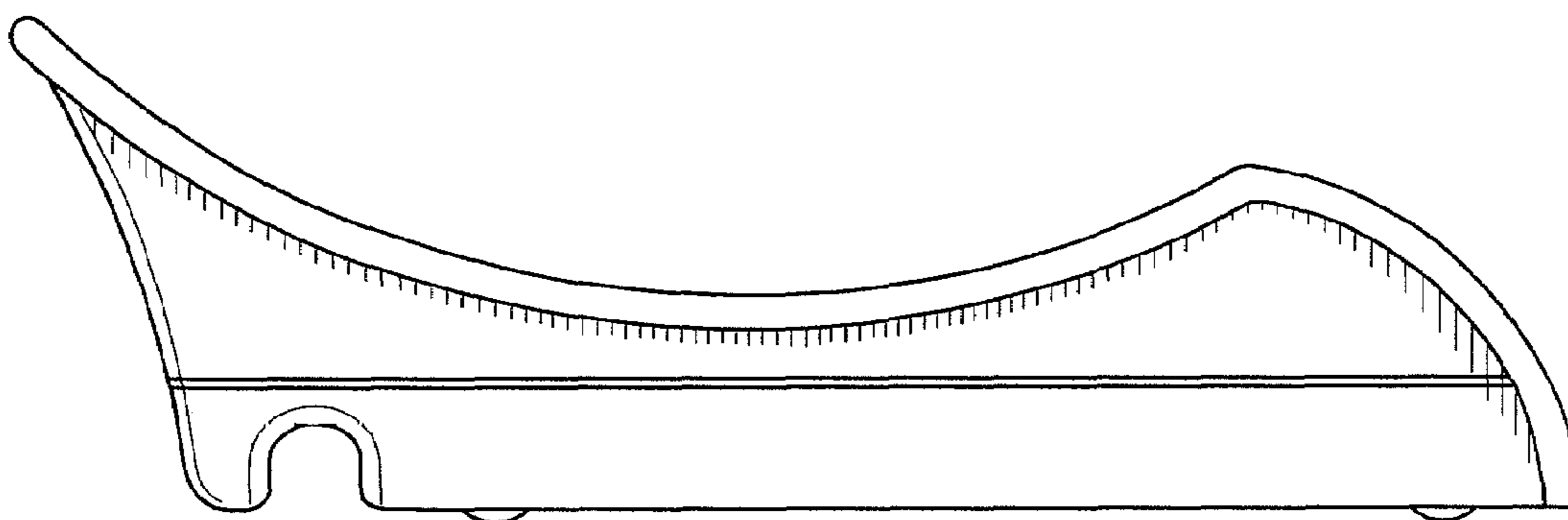




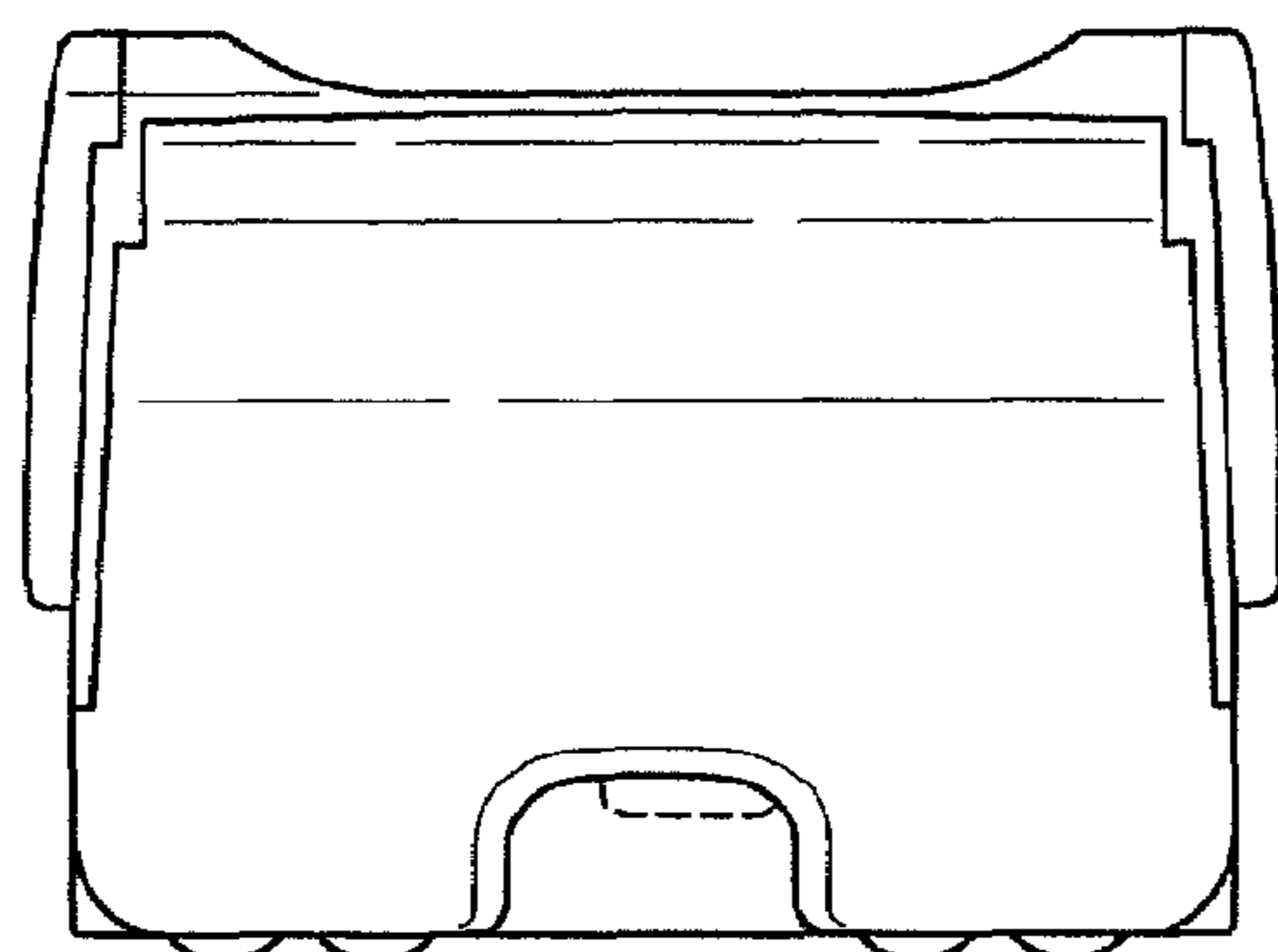
**FIG. 1**



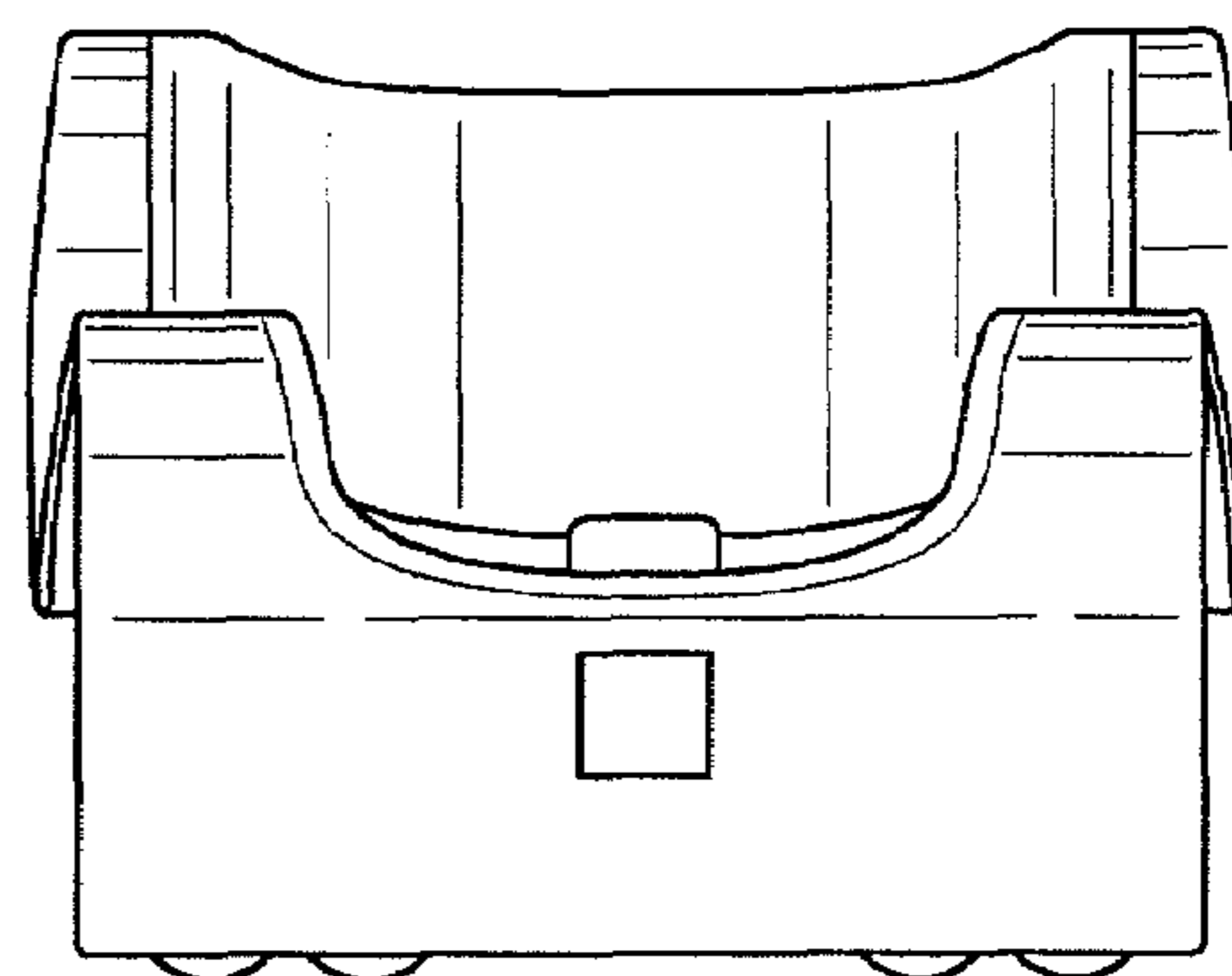
**FIG. 2**



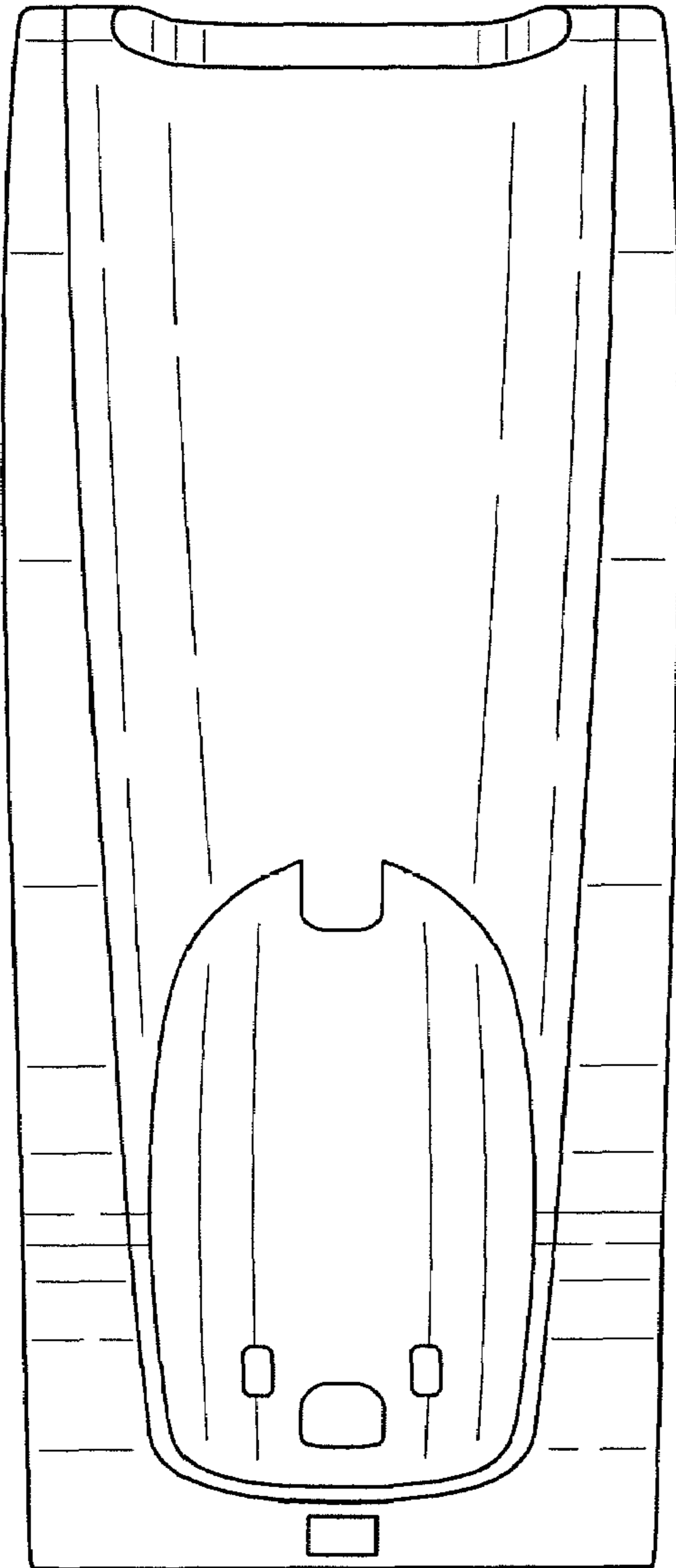
**FIG. 3**



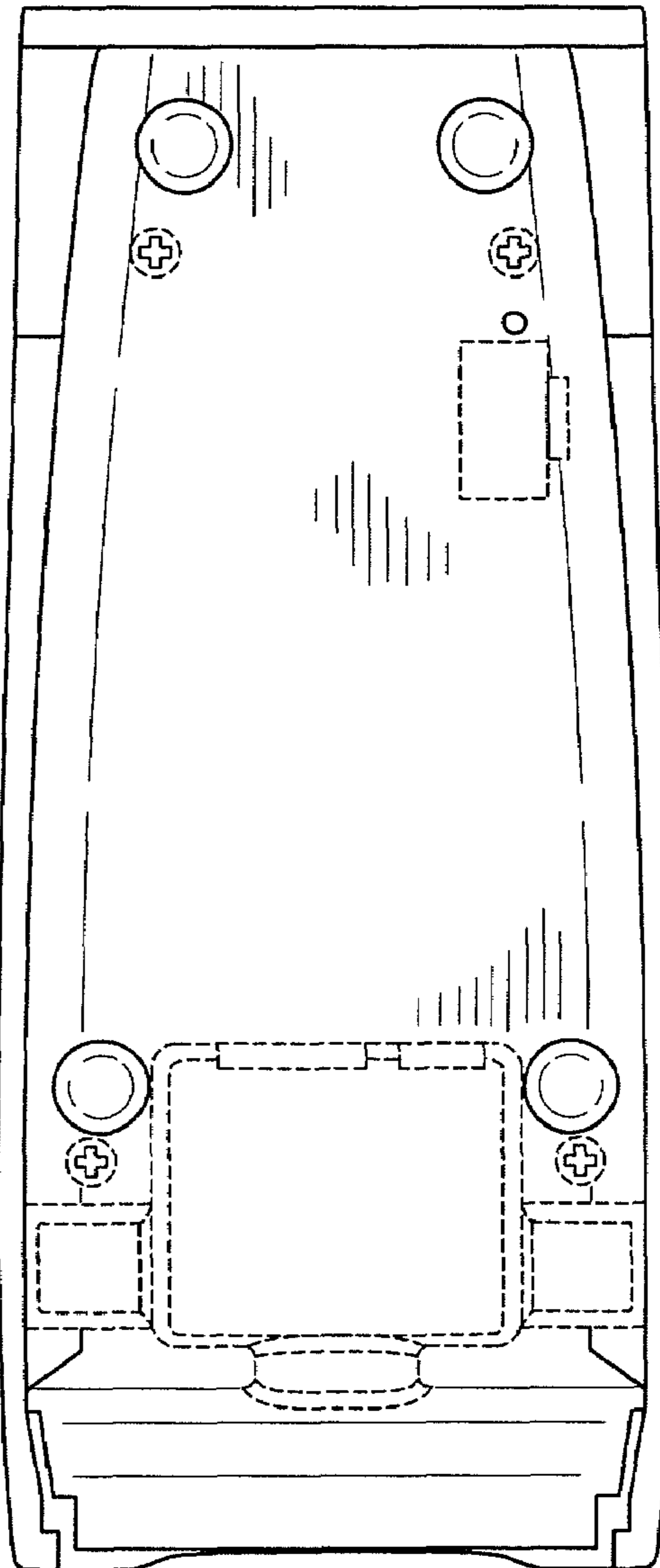
**FIG. 4**



**FIG. 5**



**FIG. 6**



**FIG. 7**