



US00D604269S

(12) **United States Design Patent**
Choe

(10) **Patent No.:** **US D604,269 S**
(45) **Date of Patent:** **** Nov. 17, 2009**

(54) **STEREO HEADSET**

(76) **Inventor:** **Nina Choe**, 939 W. College St. #209,
Los Angeles, CA (US) 90012

(**) **Term:** **14 Years**

(21) **Appl. No.:** **29/332,172**

(22) **Filed:** **Feb. 10, 2009**

(51) **LOC (9) Cl.** **14-01**

(52) **U.S. Cl.** **D14/205**

(58) **Field of Classification Search** D14/205,
D14/206, 223, 192, 203.5; 379/430, 433.11,
379/433.13; 181/129-130; 381/380, 381,
381/386, 151, 331; D29/112; 2/209; 455/575.2
See application file for complete search history.

(56) **References Cited**

U.S. PATENT DOCUMENTS

3,211,160	A *	10/1965	Miller	132/275
D268,675	S *	4/1983	Hass	D14/192
4,554,993	A *	11/1985	Houng	181/130
D284,080	S *	6/1986	Swezey et al.	D14/192
D318,669	S *	7/1991	Nakayama	D14/205
D386,181	S *	11/1997	Fisher	D14/205
D394,062	S *	5/1998	Chun	D14/192
6,056,082	A *	5/2000	Lindgren et al.	181/130
6,123,168	A *	9/2000	Berg et al.	181/129
D457,515	S *	5/2002	Masamitsu et al.	D14/223
D458,244	S *	6/2002	Masuda	D14/205
D458,245	S *	6/2002	Masuda	D14/205
D471,176	S *	3/2003	Suzuki	D14/205
6,603,863	B1 *	8/2003	Nagayoshi	381/380
6,741,719	B1 *	5/2004	Orten	381/380
D492,941	S *	7/2004	Komiyama	D14/205

D502,463	S *	3/2005	Bhakta	D14/205
D516,540	S *	3/2006	Beauchemin et al.	D14/192
D538,269	S *	3/2007	Tragatschnig	D14/223
D540,301	S *	4/2007	Obata	D14/205
D557,685	S *	12/2007	Lee	D14/205
D579,606	S *	10/2008	Scholl et al.	D28/41
D587,679	S *	3/2009	Komiyama	D14/205
D587,680	S *	3/2009	Komiyama	D14/205
D590,810	S *	4/2009	Komiyama	D14/205

* cited by examiner

Primary Examiner—Paula Greene

(57) **CLAIM**

The ornamental design for a stereo headset, as shown and described.

DESCRIPTION

FIG. 1 is a perspective view of a stereo headset showing my new design;

FIG. 2 is a perspective view with an earpiece extended thereof, the opposite perspective view is a mirror image;

FIG. 3 is a side view of the stereo headset in relation to a human head thereof;

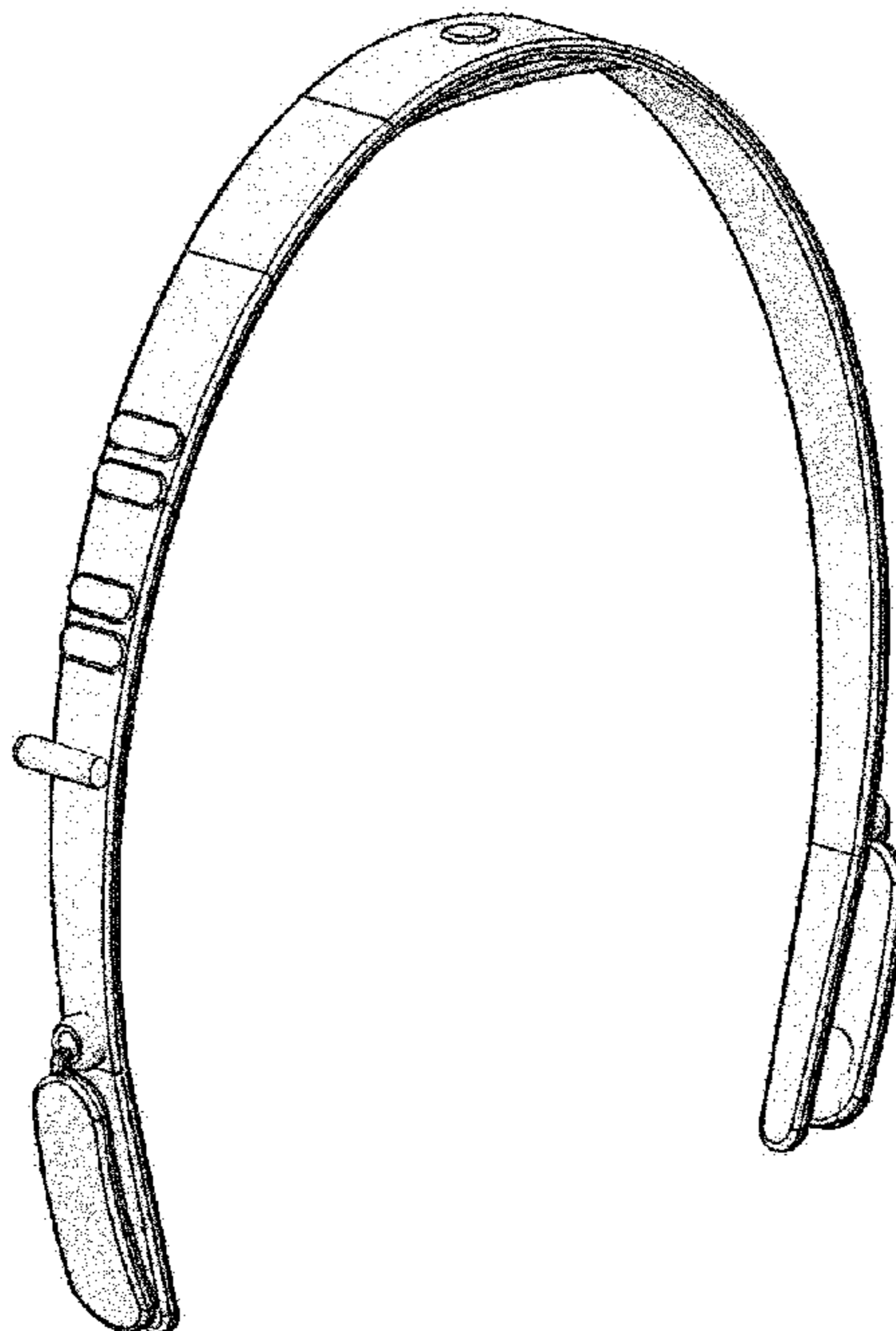
FIG. 4 is a front elevational view thereof, the rear is a mirror image;

FIG. 5 is a side elevational view thereof; and,

FIG. 6 is a side elevational view with the earpiece extended thereof, the opposite extended earpiece is a mirror image.

The broken lines showing in FIG. 3 is for illustrative purposes only and forms no part of the claimed design or a specified embodiment thereof.

1 Claim, 5 Drawing Sheets



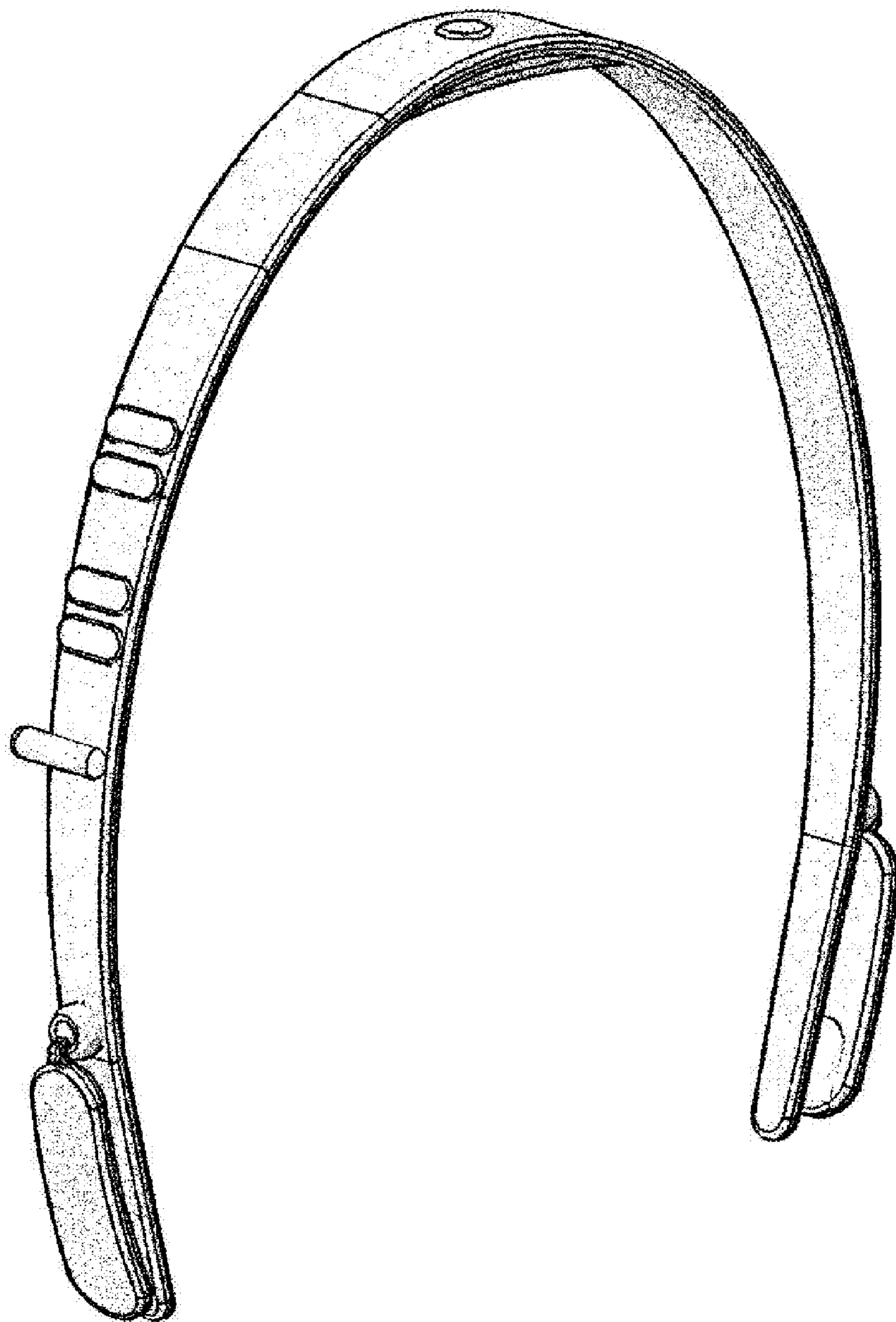


FIG. 1

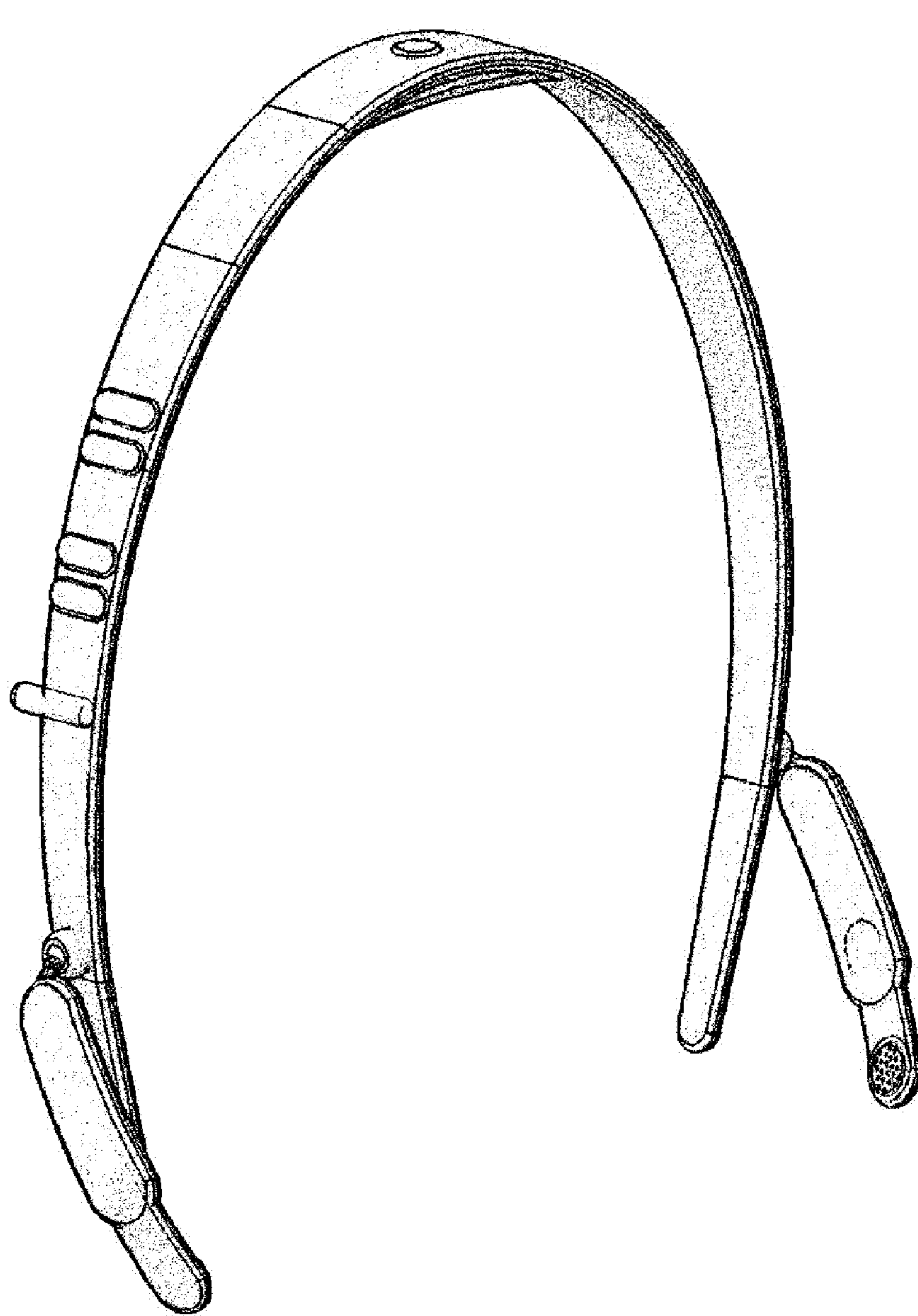
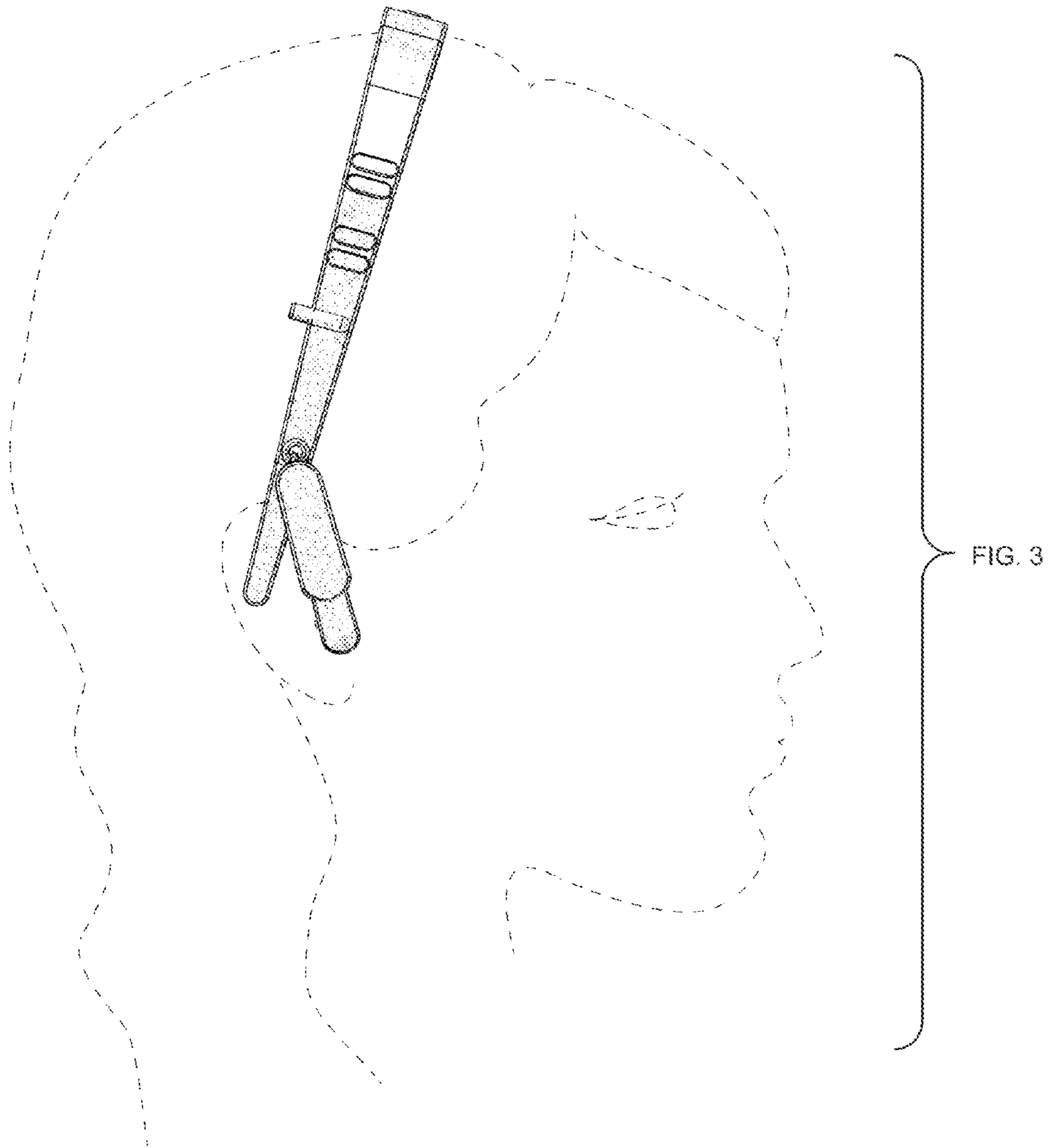


FIG. 2



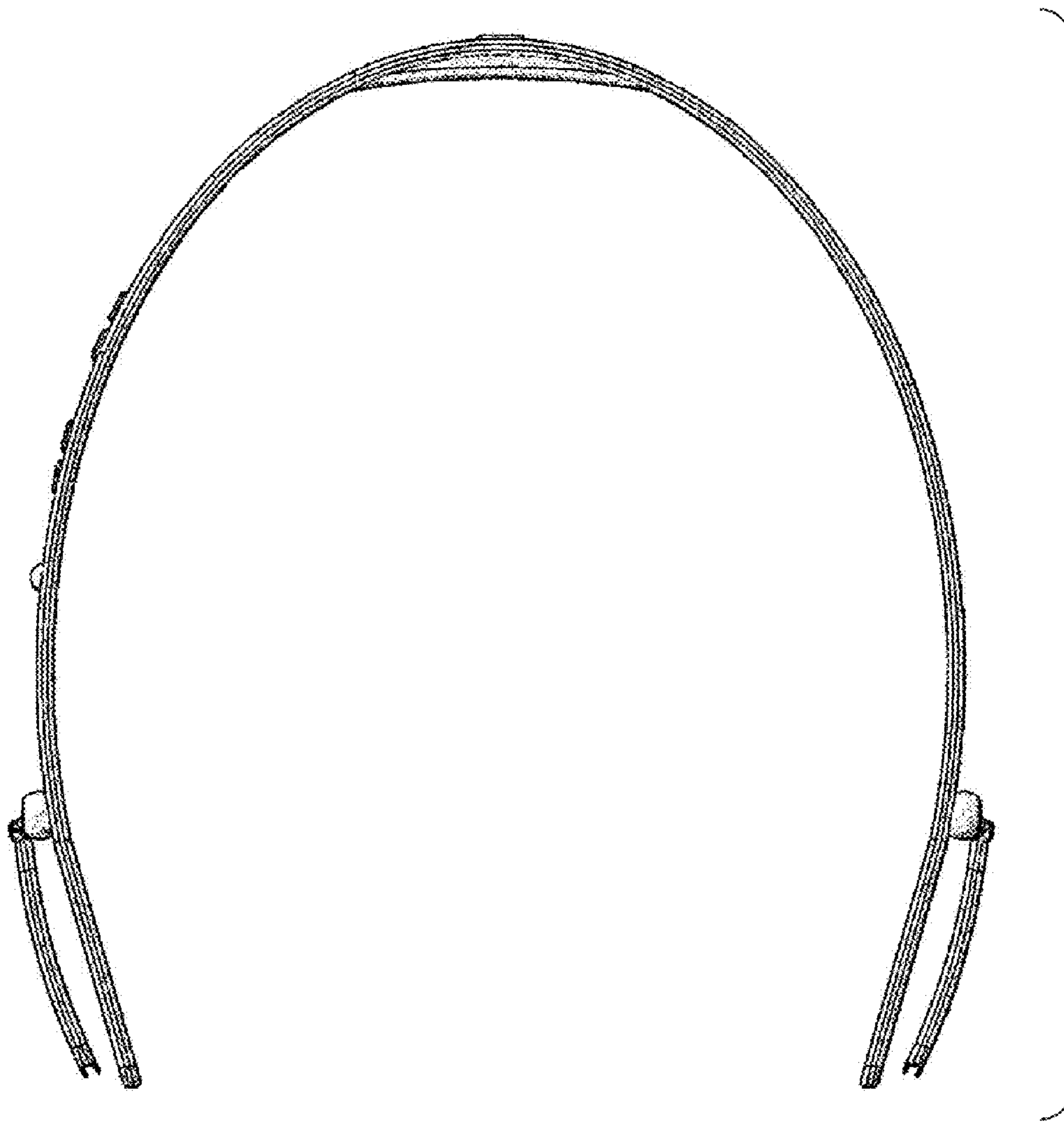


FIG. 4

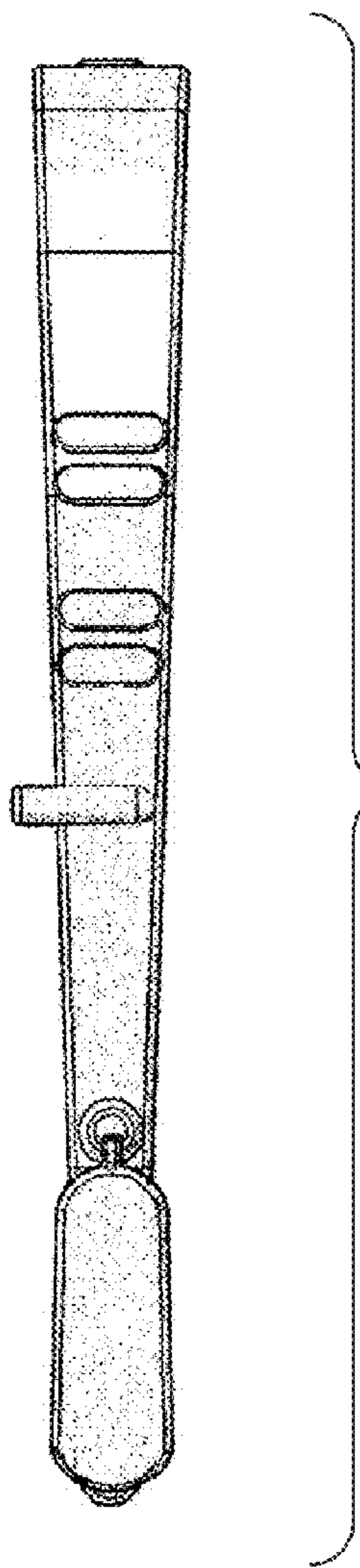


FIG. 5

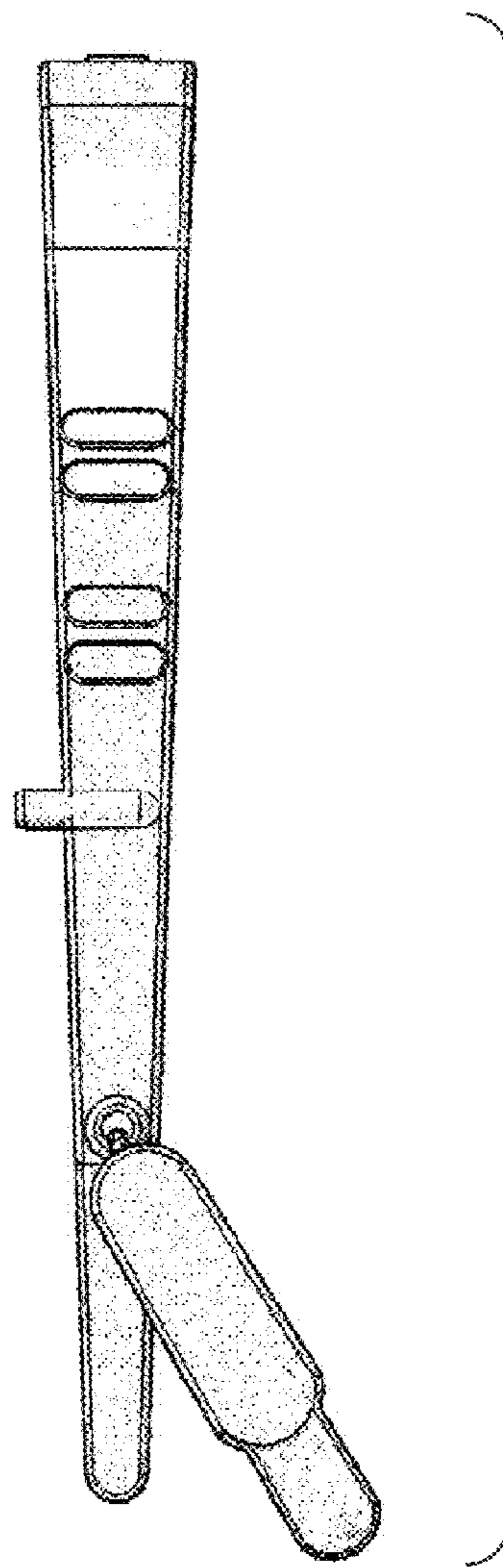


FIG. 6