

US00D604265S

(12) **United States Design Patent**  
**Smith**

(10) **Patent No.:** **US D604,265 S**

(45) **Date of Patent:** **\*\* Nov. 17, 2009**

(54) **RECEIVER**

(75) Inventor: **Glenn Smith**, Huntington Beach, CA  
(US)

(73) Assignee: **TR Theater Research, Inc.**, Cypress,  
CA (US)

(\*\*) Term: **14 Years**

(21) Appl. No.: **29/314,895**

(22) Filed: **May 7, 2009**

(51) **LOC (9) Cl.** ..... **14-03**

(52) **U.S. Cl.** ..... **D14/188; D14/257; D14/204;**  
D14/265

(58) **Field of Classification Search** ..... D14/126,  
D14/137, 155, 160-17, 188, 192-198, 204,  
D14/217, 257, 258, 265, 496; 455/344-351;  
369/6-12

See application file for complete search history.

(56) **References Cited**

**U.S. PATENT DOCUMENTS**

D444,138 S \* 6/2001 Ito et al. .... D14/168

D444,778 S \* 7/2001 Ito et al. .... D14/168  
D544,854 S \* 6/2007 Smith ..... D14/188  
D558,750 S \* 1/2008 Smith, Jr. et al. .... D14/257  
D571,783 S \* 6/2008 Moldauer et al. .... D14/198

\* cited by examiner

*Primary Examiner*—Stella M Reid

*Assistant Examiner*—Keli L Hill

(74) *Attorney, Agent, or Firm*—Clement Cheng

(57) **CLAIM**

The ornamental design for a receiver, as shown and described.

**DESCRIPTION**

FIG. 1 is a perspective view.

FIG. 2 is a front view.

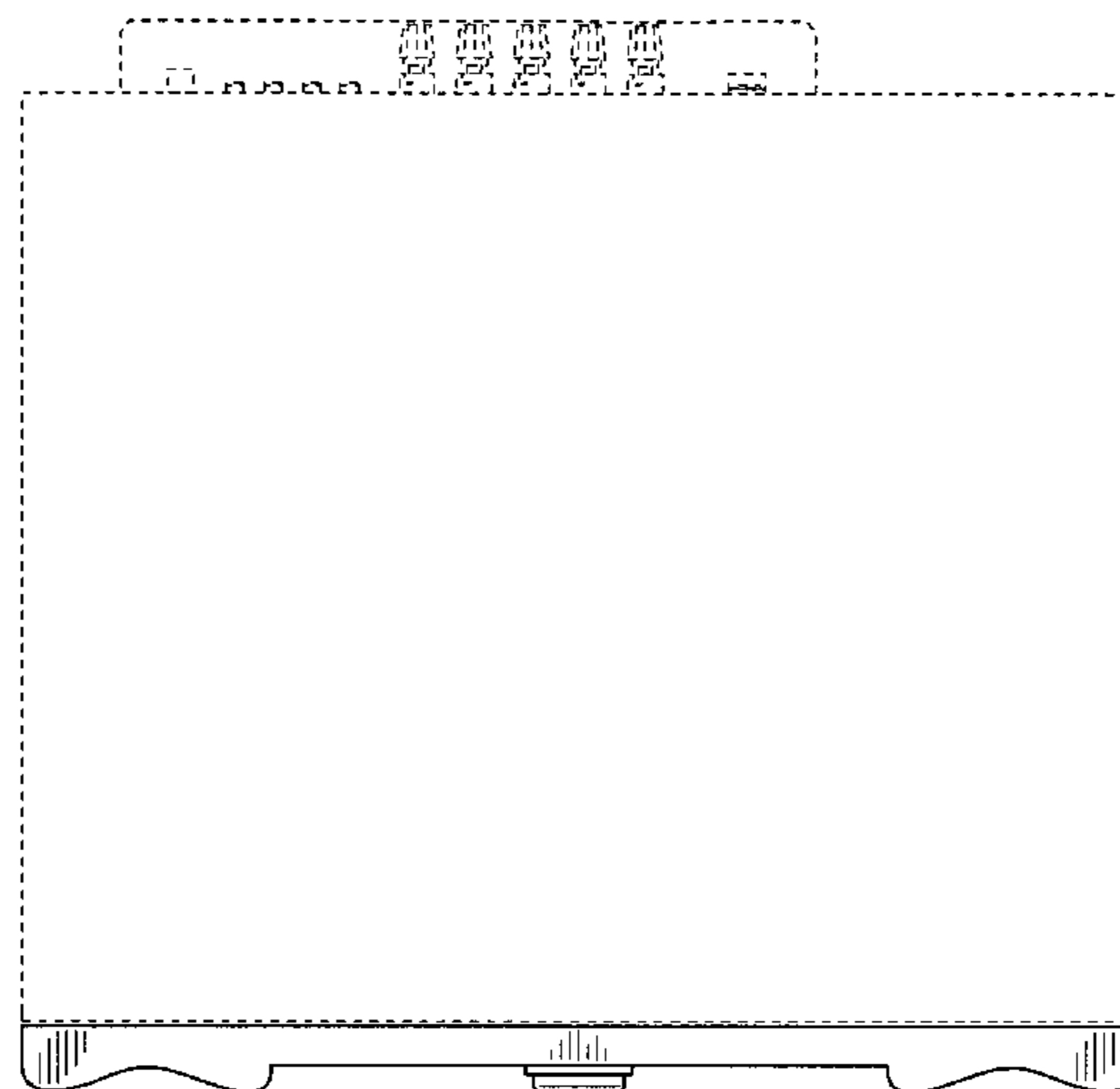
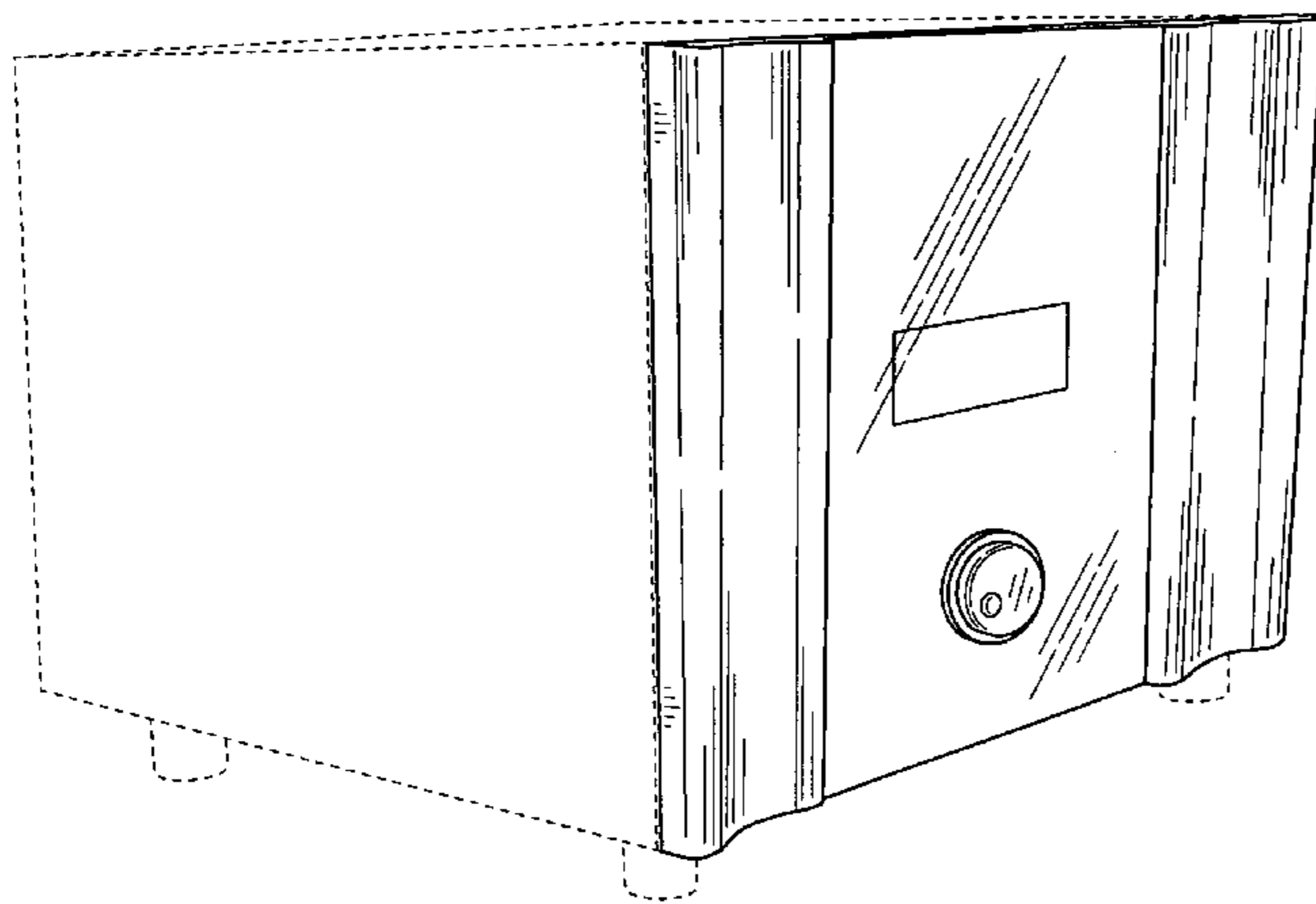
FIG. 3 is a side view, the other side of which is a mirror image.

FIG. 4 is a top view; and,

FIG. 5 is a bottom view.

The broken lines represent the portions of the design that form no part of the claim.

**1 Claim, 3 Drawing Sheets**



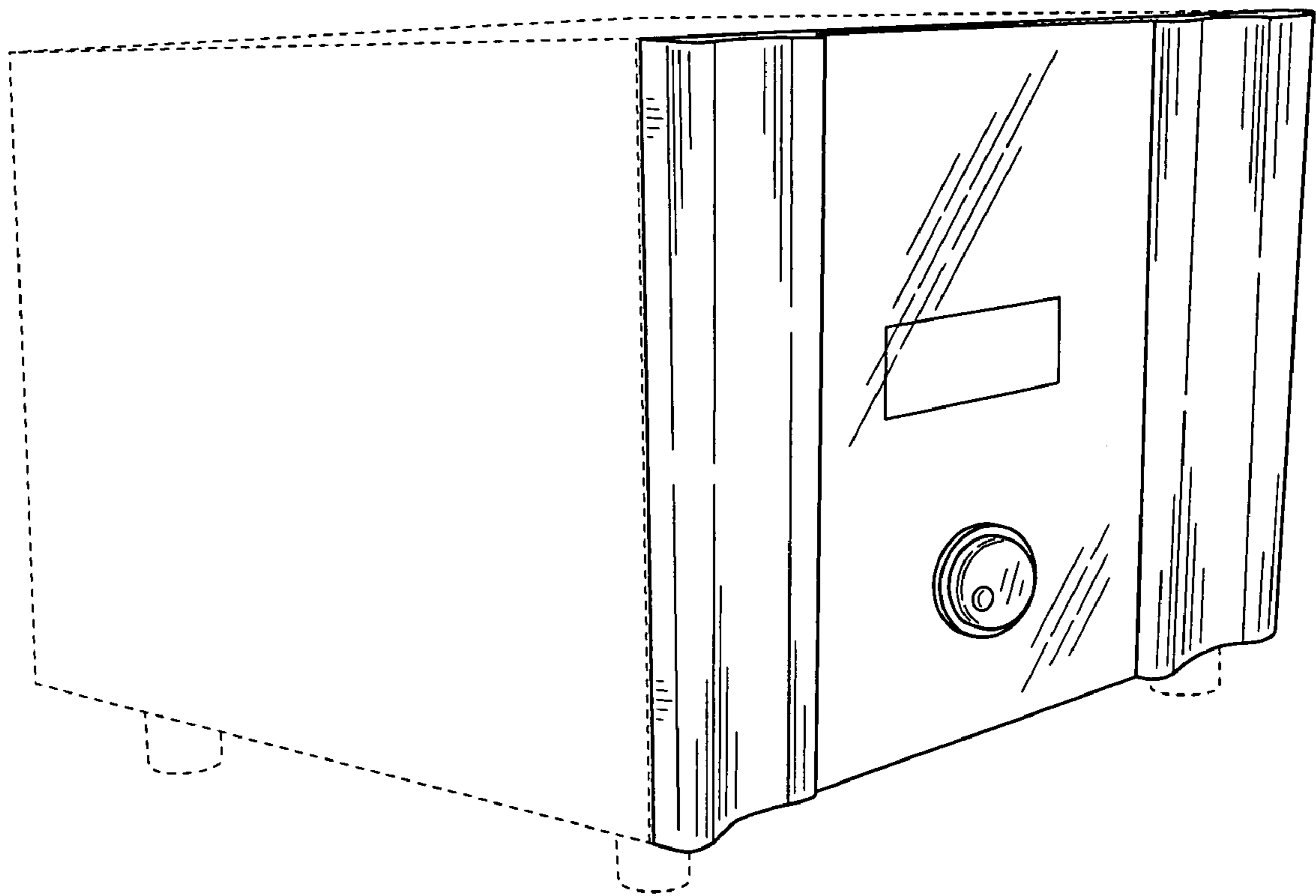


FIG. 1

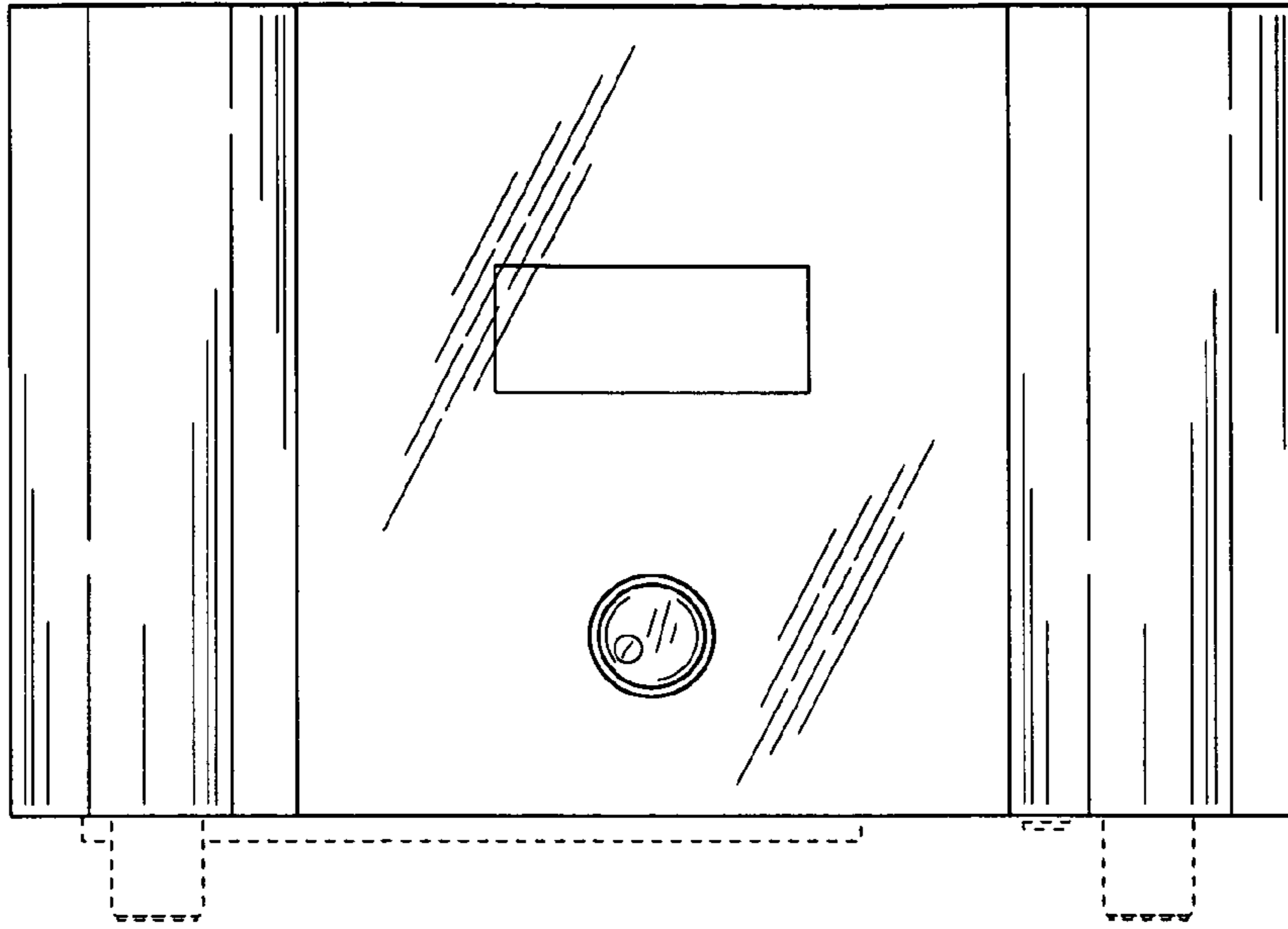


FIG. 2

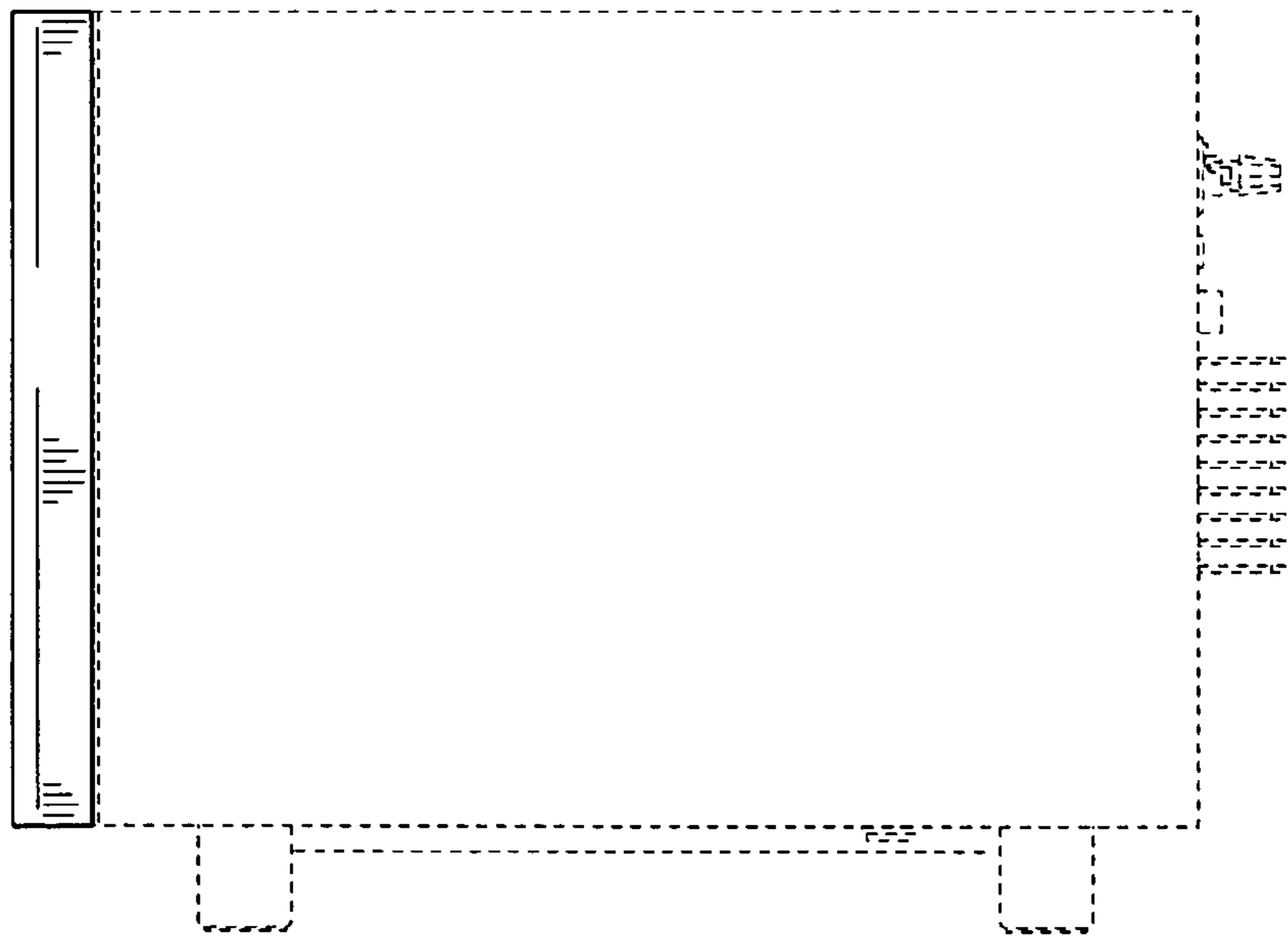


FIG. 3

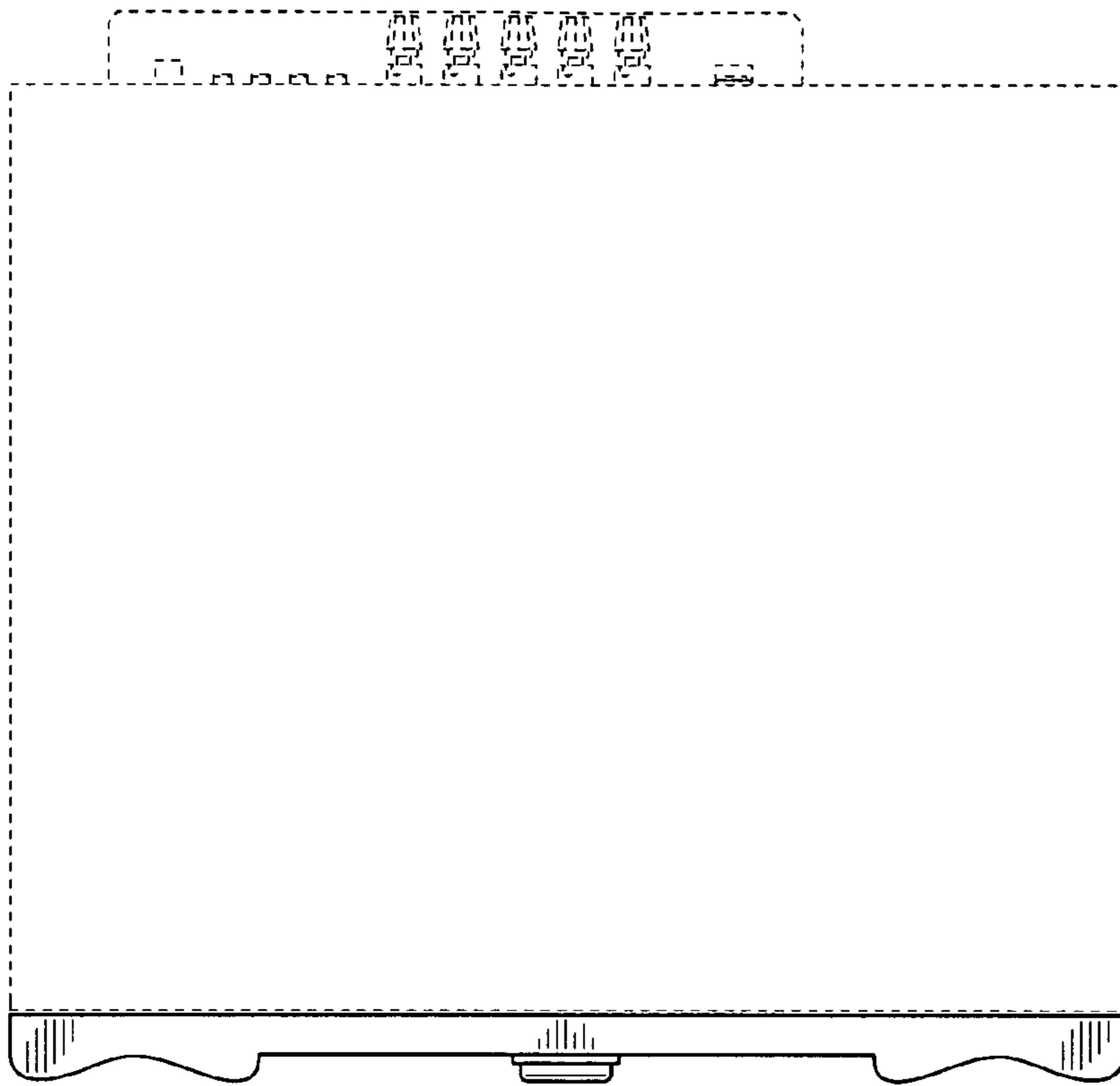


FIG. 4

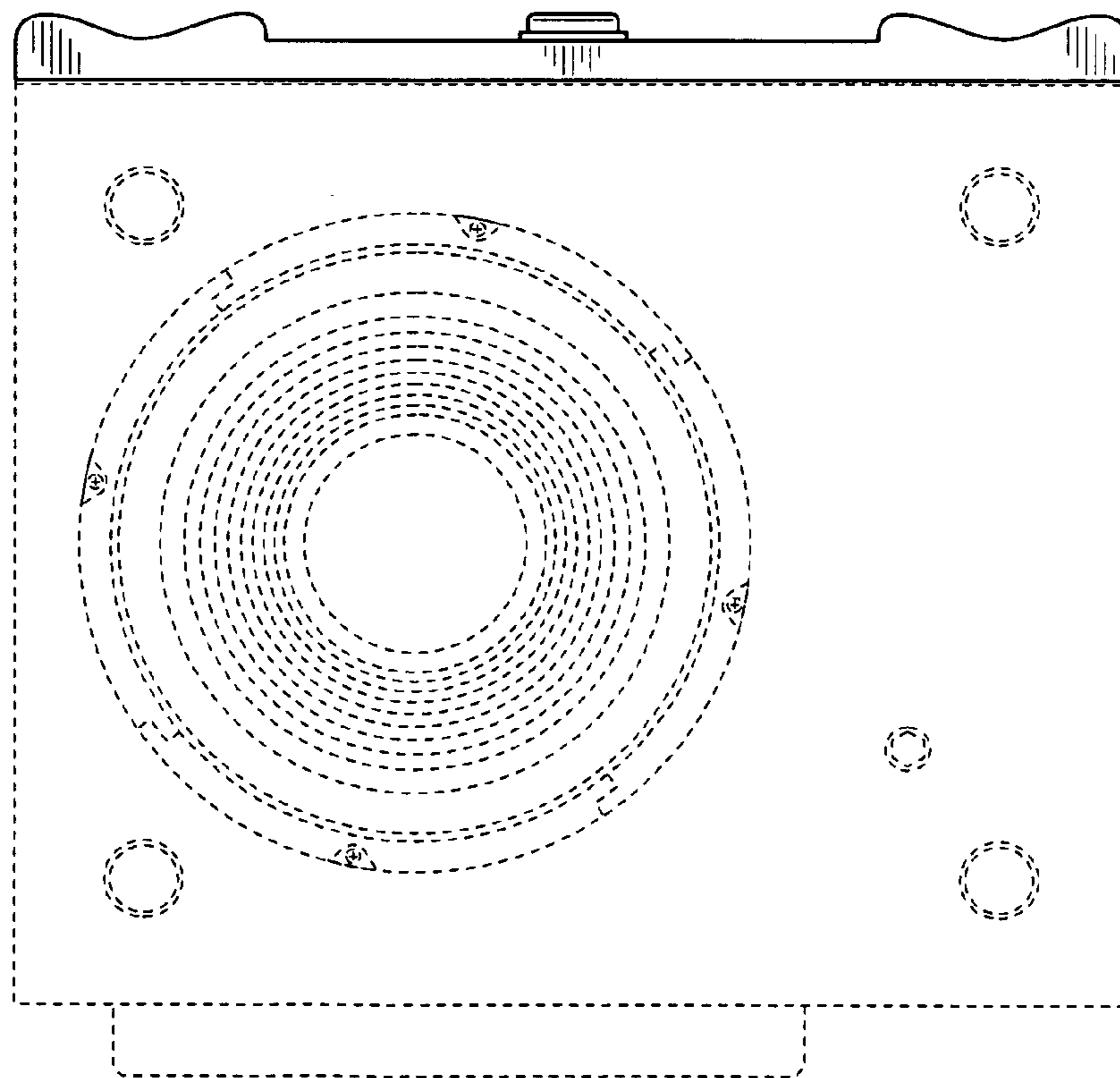


FIG. 5