

US00D604256S

(12) **United States Design Patent**  
**Liu**

(10) **Patent No.:** **US D604,256 S**  
(45) **Date of Patent:** **\*\* Nov. 17, 2009**

(54) **LIGHT EMITTING DIODE DEVICE**

(75) Inventor: **Wen-Huang Liu**, Guan-Xi Town (TW)

(73) Assignee: **SemiLEDs Optoelectronics Co., Ltd.**,  
Chu-Nan (TW)

(\*\*) Term: **14 Years**

(21) Appl. No.: **29/319,680**

(22) Filed: **Jun. 12, 2008**

(51) **LOC (9) Cl.** ..... **13-03**

(52) **U.S. Cl.** ..... **D13/180**

(58) **Field of Classification Search** ..... D13/180,  
D13/182; 257/13, 79, 91, 98, 103; 438/606  
See application file for complete search history.

(56) **References Cited**

**U.S. PATENT DOCUMENTS**

5,652,434	A *	7/1997	Nakamura et al.	.....	257/13
6,097,040	A *	8/2000	Morimoto et al.	.....	257/91
6,153,894	A *	11/2000	Udagawa	.....	257/96
6,204,512	B1 *	3/2001	Nakamura et al.	.....	257/13
6,281,526	B1 *	8/2001	Nitta et al.	.....	257/103

6,287,947	B1 *	9/2001	Ludowise et al.	.....	438/606
6,344,665	B1 *	2/2002	Sung et al.	.....	257/91
6,495,862	B1 *	12/2002	Okazaki et al.	.....	257/103
6,844,571	B2 *	1/2005	Krames et al.	.....	257/81
6,847,052	B2 *	1/2005	Fan et al.	.....	257/79
D521,952	S *	5/2006	Yamada et al.	.....	D13/182

\* cited by examiner

*Primary Examiner*—Selina Sikder

(74) *Attorney, Agent, or Firm*—Patterson & Sheridan, LLP

(57) **CLAIM**

The ornamental design for a light emitting diode device, as shown and described.

**DESCRIPTION**

FIG. 1 is a top view of an embodiment of our new design.

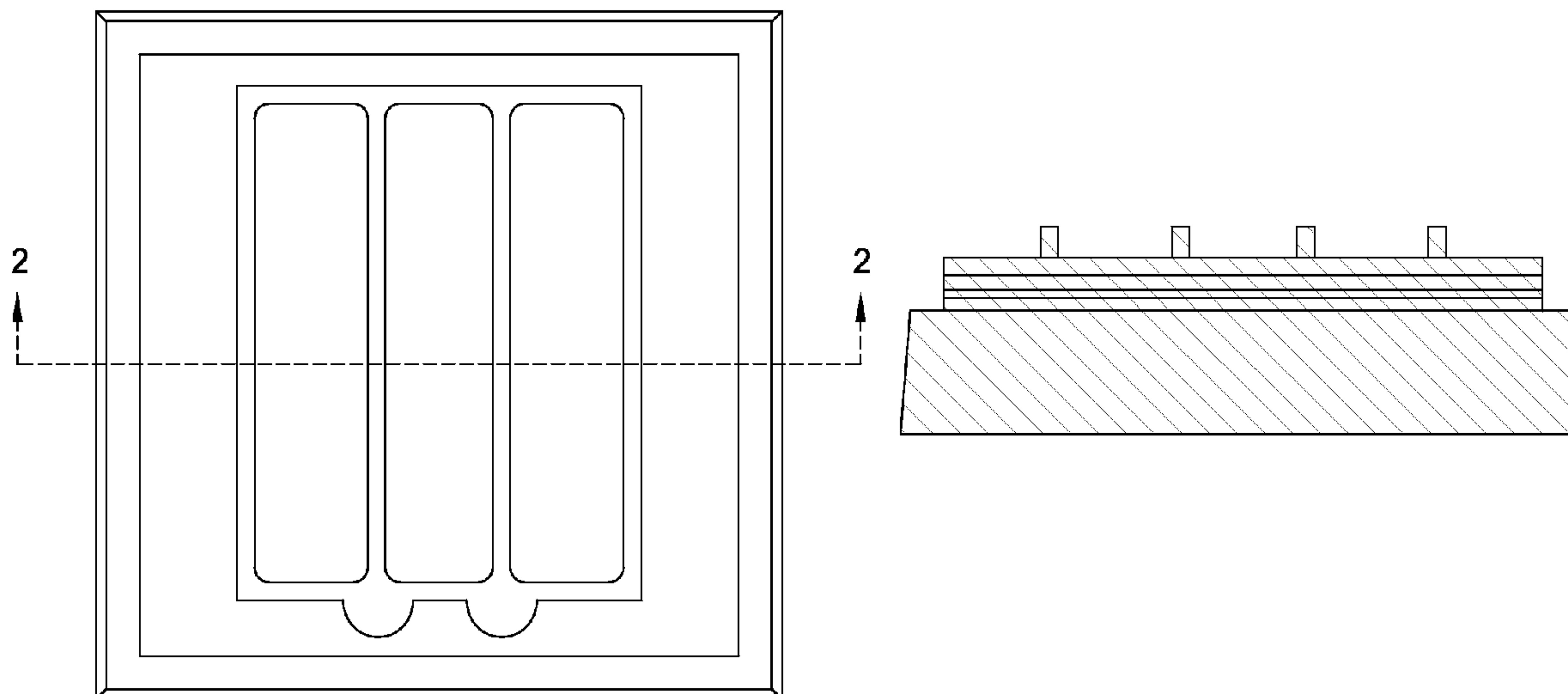
FIG. 2 is a cross-sectional view of FIG. 1.

FIG. 3 is a right side view of FIG. 1; the left side view is a mirror image of the right side view.

FIG. 4 is a front view of FIG. 1; and,

FIG. 5 is a rear view of FIG. 1.

**1 Claim, 2 Drawing Sheets**



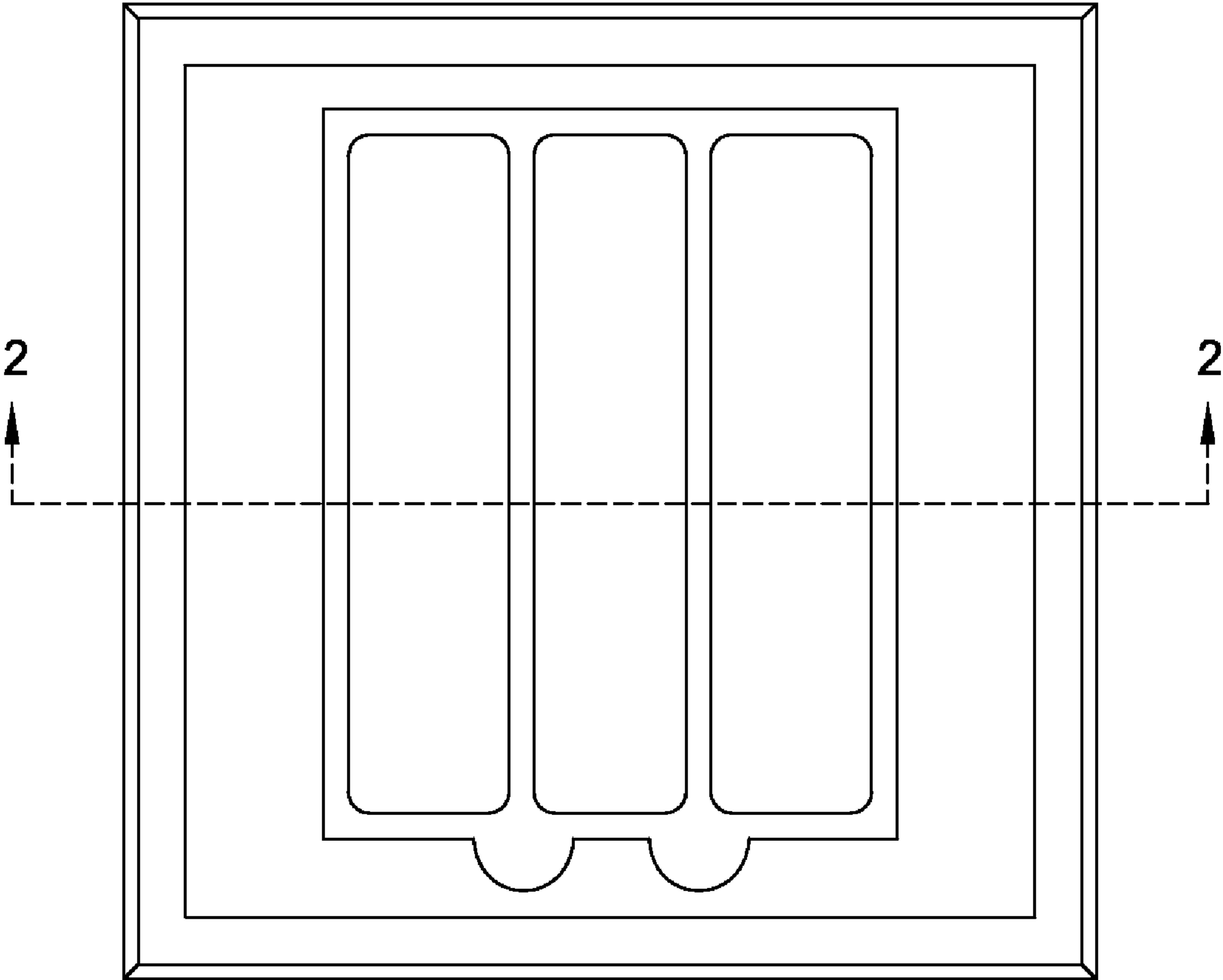


FIG. 1

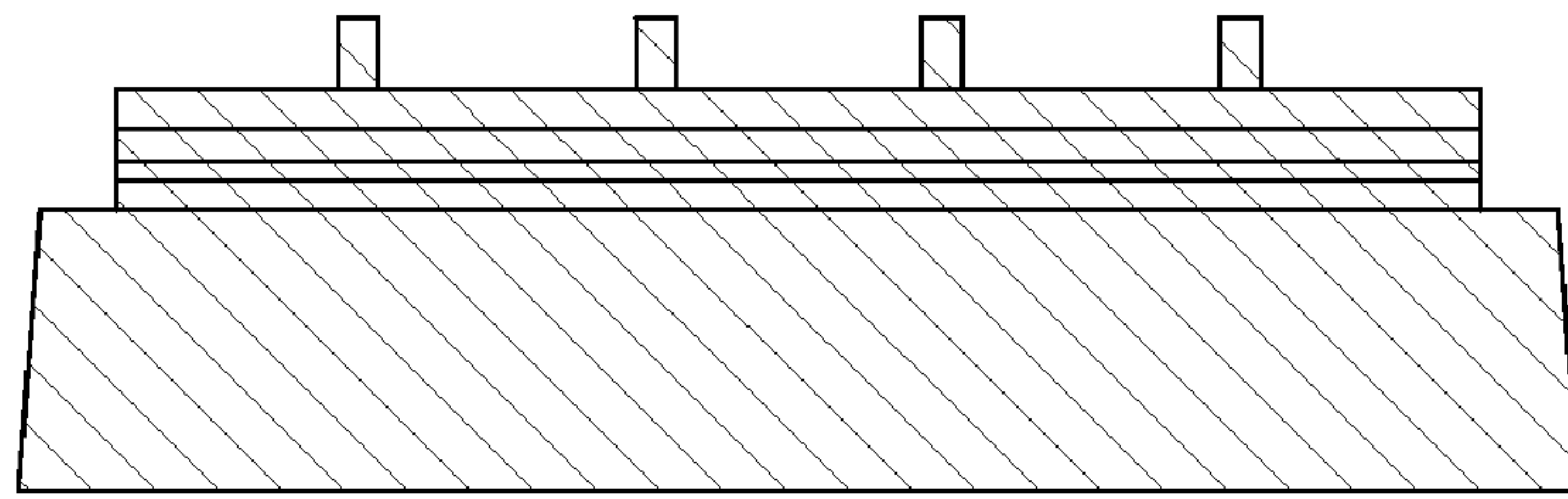


FIG. 2

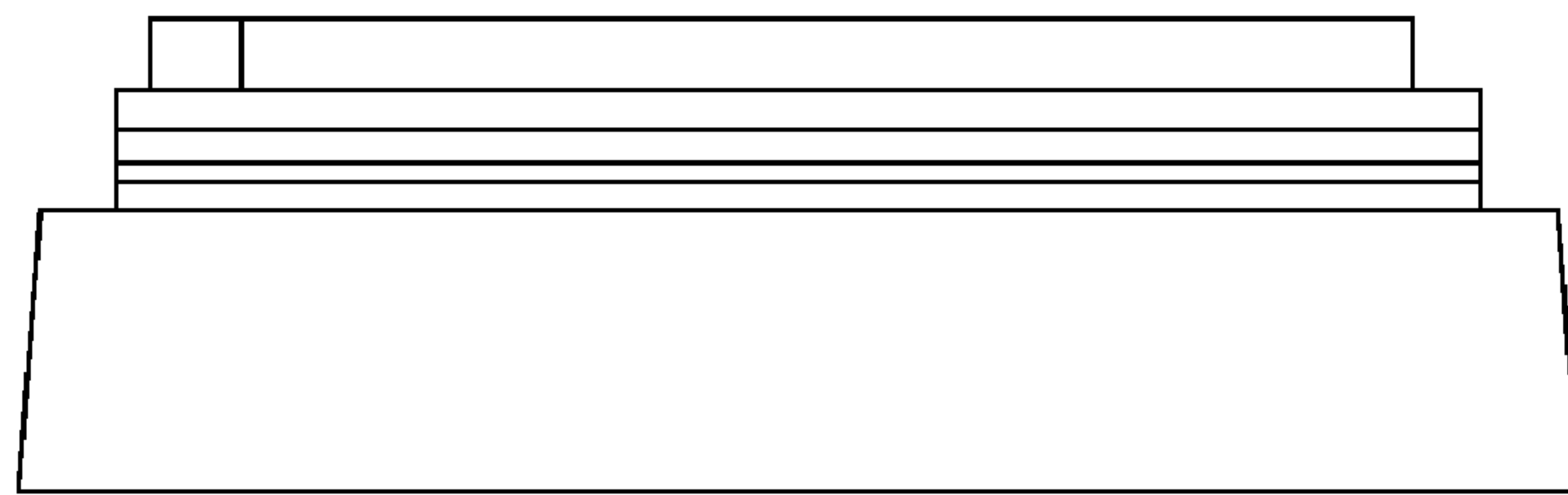


FIG. 3

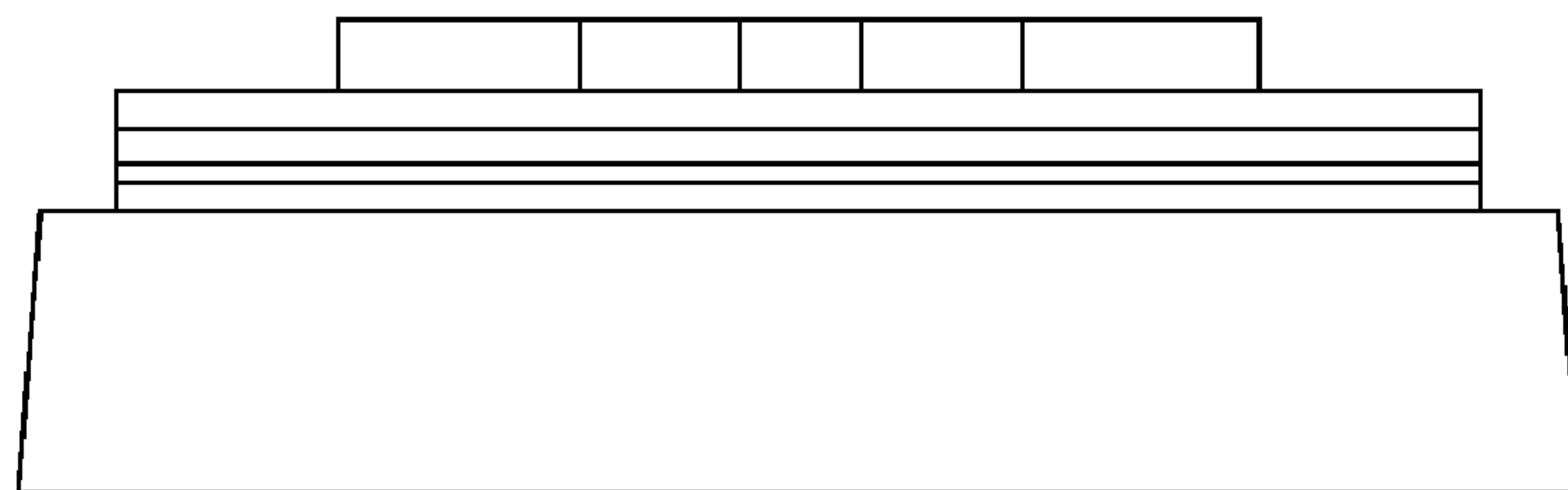


FIG. 4

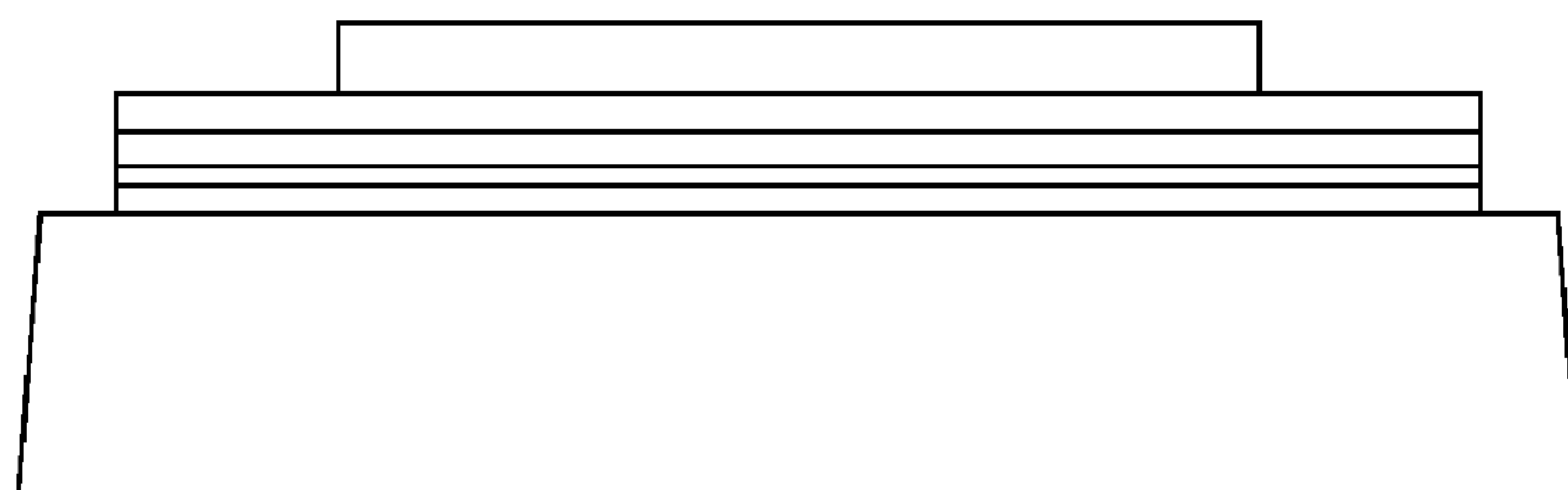


FIG. 5