



US00D604252S

(12) **United States Design Patent**
Yudate

(10) **Patent No.:** **US D604,252 S**

(45) **Date of Patent:** **** Nov. 17, 2009**

(54) **PORTION OF A MULTI-POLE PLUG**

(75) Inventor: **Shinya Yudate**, Matsuyama (JP)

(73) Assignee: **EX Company Limited**, Ehime (JP)

(**) Term: **14 Years**

(21) Appl. No.: **29/325,305**

(22) Filed: **Sep. 29, 2008**

(30) **Foreign Application Priority Data**

Mar. 28, 2008 (JP) 2008-007802

(51) **LOC (9) Cl.** **13-03**

(52) **U.S. Cl.** **D13/154**

(58) **Field of Classification Search** D13/133,
D13/153, 154, 184, 199; 439/578, 675, 668,
439/669, 750, 851, 889

See application file for complete search history.

(56) **References Cited**

U.S. PATENT DOCUMENTS

D415,102	S *	10/1999	Suzuki et al.	D13/133
D450,298	S *	11/2001	Suzuki	D13/133
D460,414	S *	7/2002	Suzuki	D13/133
D481,678	S *	11/2003	Griffin	D13/133
D508,466	S *	8/2005	Dobler	D13/154
D543,509	S *	5/2007	Victor	D13/154
D592,596	S *	5/2009	Kolton	D13/133
7,553,195	B2 *	6/2009	Matsumoto et al.	439/669
2006/0009082	A1 *	1/2006	Lin	439/668
2008/0090465	A1 *	4/2008	Matsumoto et al.	439/669

FOREIGN PATENT DOCUMENTS

KR 30-0374116 2/2005

OTHER PUBLICATIONS

Argument filed in response to Office Action dated Dec. 22, 2008 in corresponding JP Application 2008-007802 with one (1) sheet of drawing.

* cited by examiner

Primary Examiner—Stella M Reid

Assistant Examiner—Thomas J Johannes

(57) **CLAIM**

The ornamental design for a portion of a multi-pole plug, as shown and described.

DESCRIPTION

FIG. 1 is a front view of the portion of the multi-pole plug of the present invention.

FIG. 2 is a rear view.

FIG. 3. is a side view of the right side of the portion of the multi-pole plug of the present invention.

FIG. 4 is a side view of the left side of the portion of the multi-pole plug of the present invention.

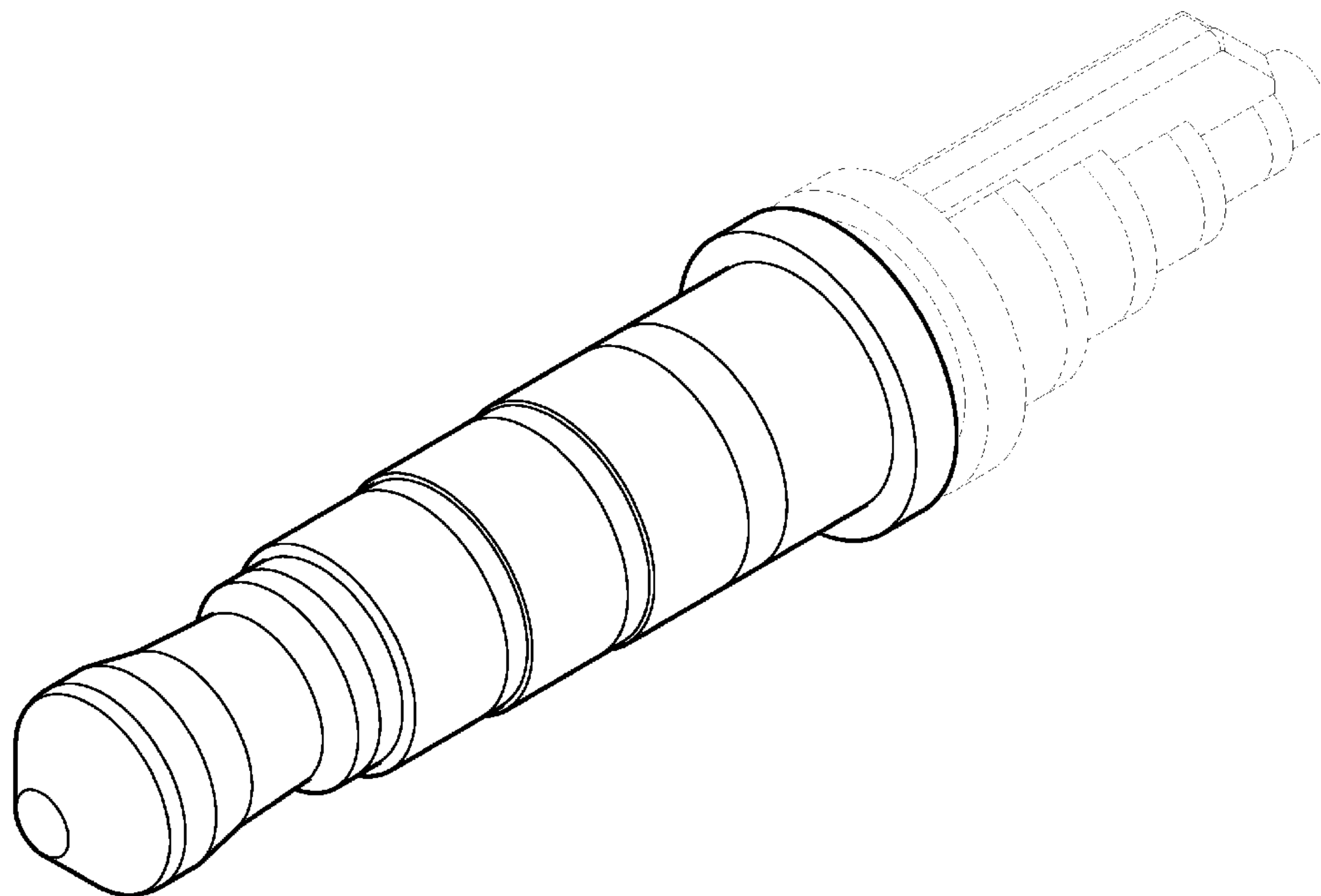
FIG. 5 is a top view of the portion of the multi-pole plug of the present invention.

FIG. 6 is a bottom view of the portion of the multi-pole plug of the present invention; and,

FIG. 7 is right perspective view of the portion of the multi-pole plug of the present invention.

The portions of the plug body shown in broken lines are included in the drawings to show unclaimed subject matter only and form no part of the claimed design.

1 Claim, 4 Drawing Sheets



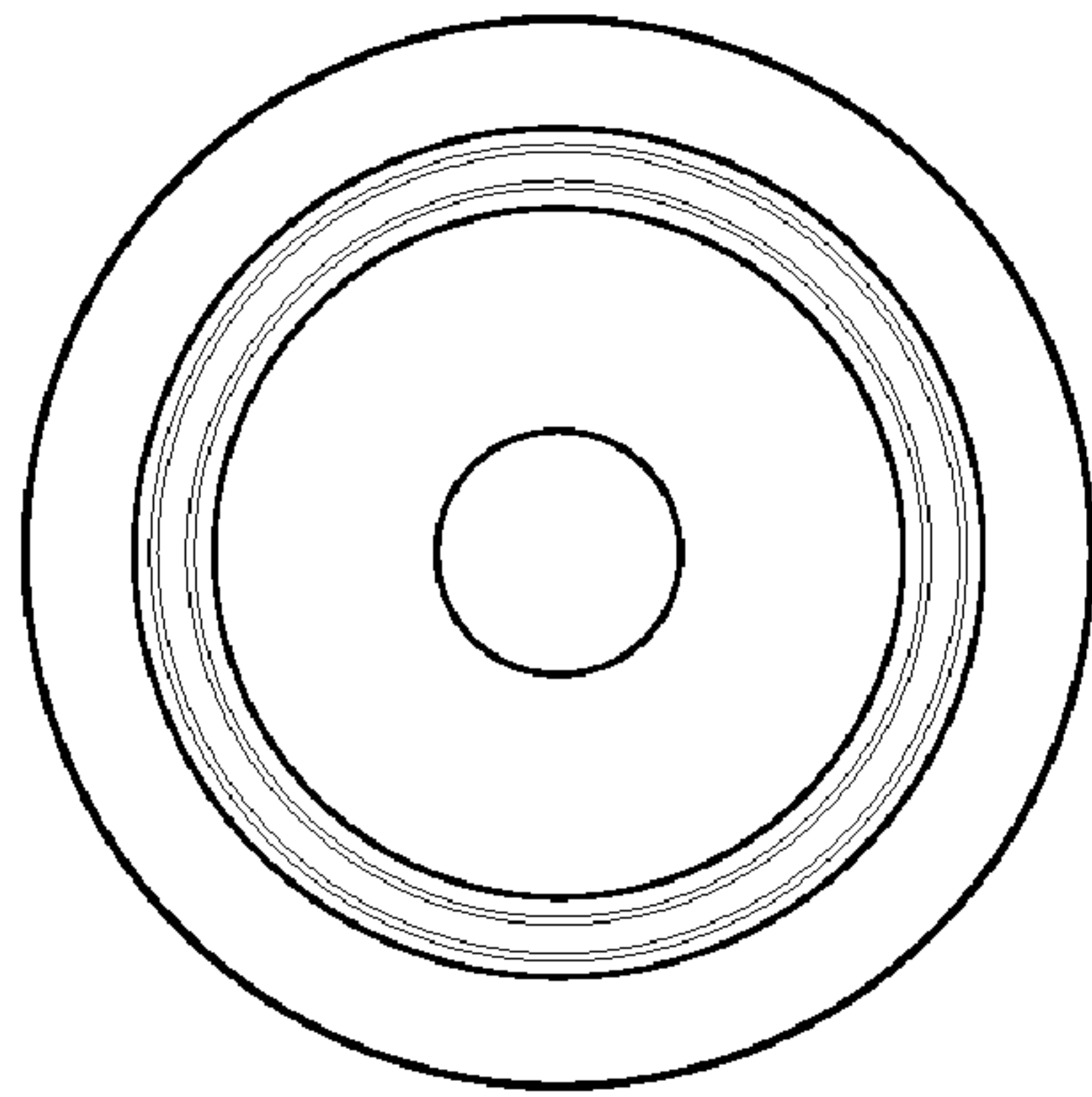


FIG. 1

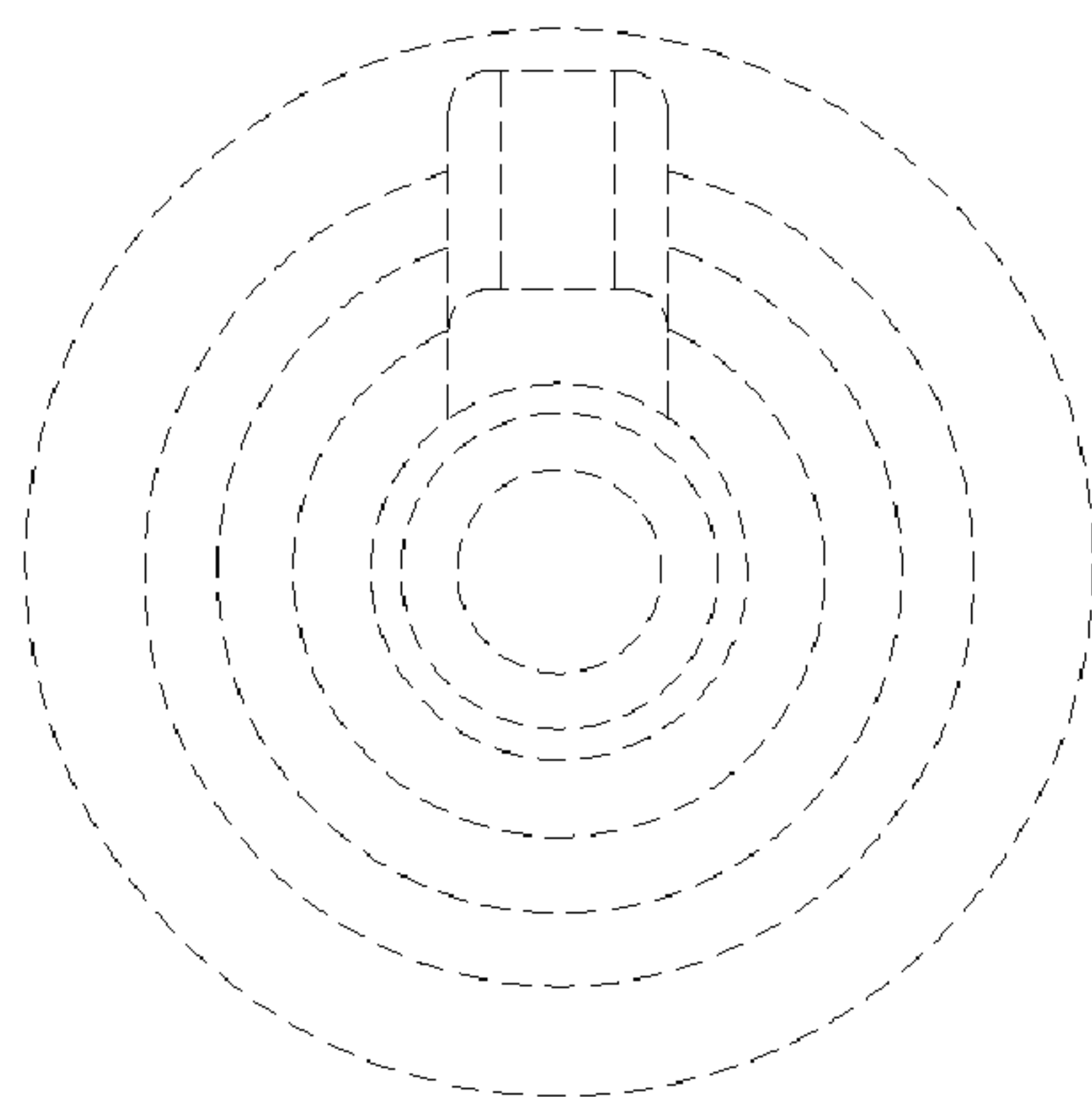


FIG. 2

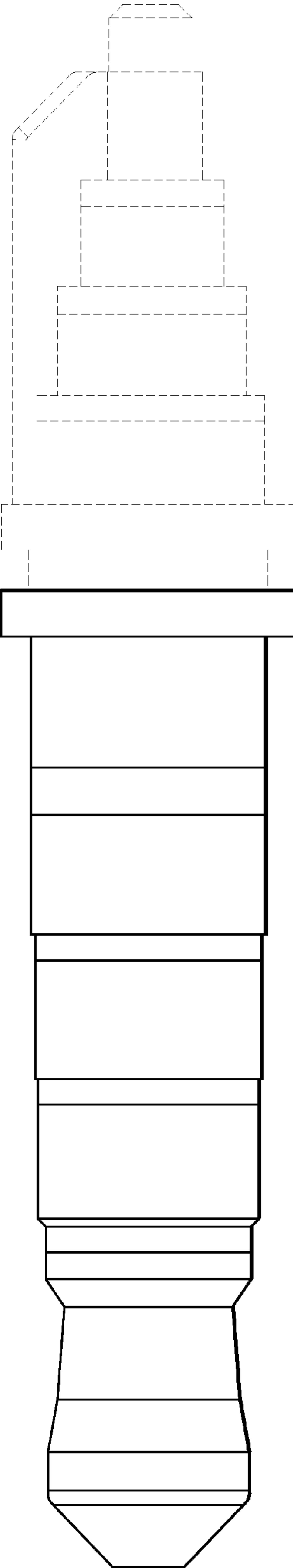


FIG. 3

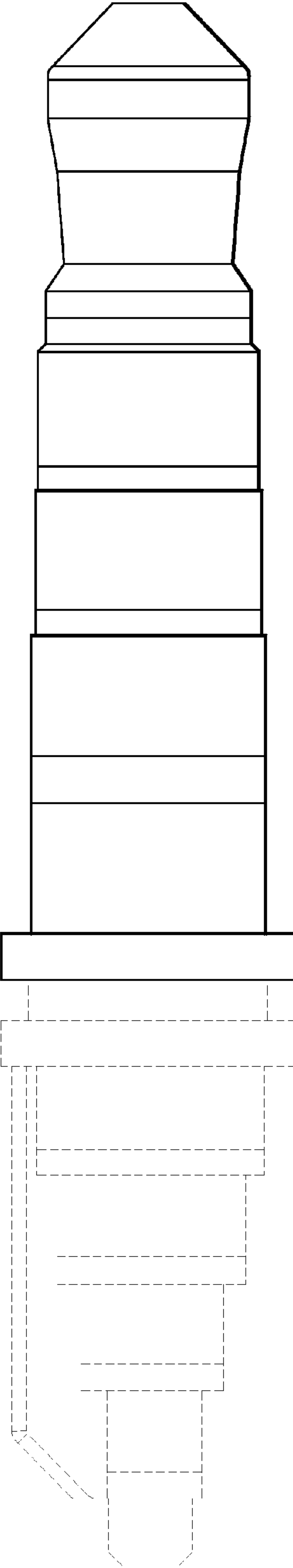


FIG. 4

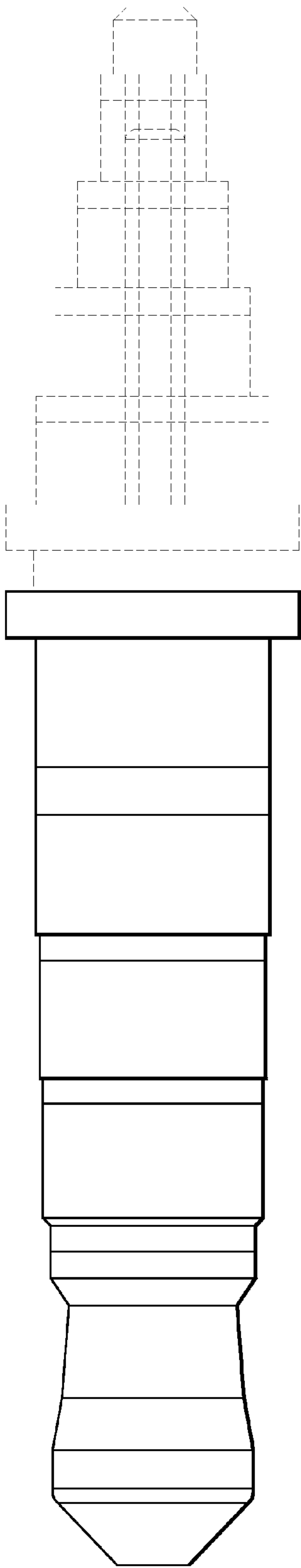


FIG. 5

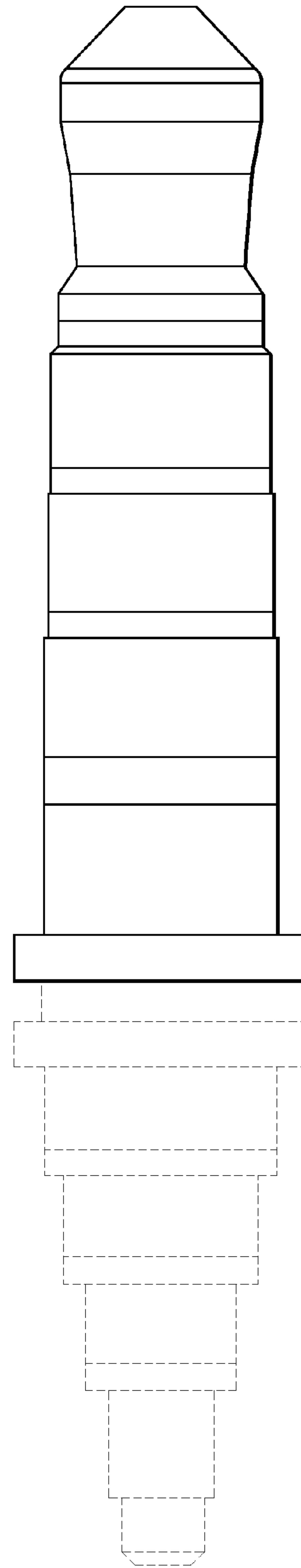


FIG. 6

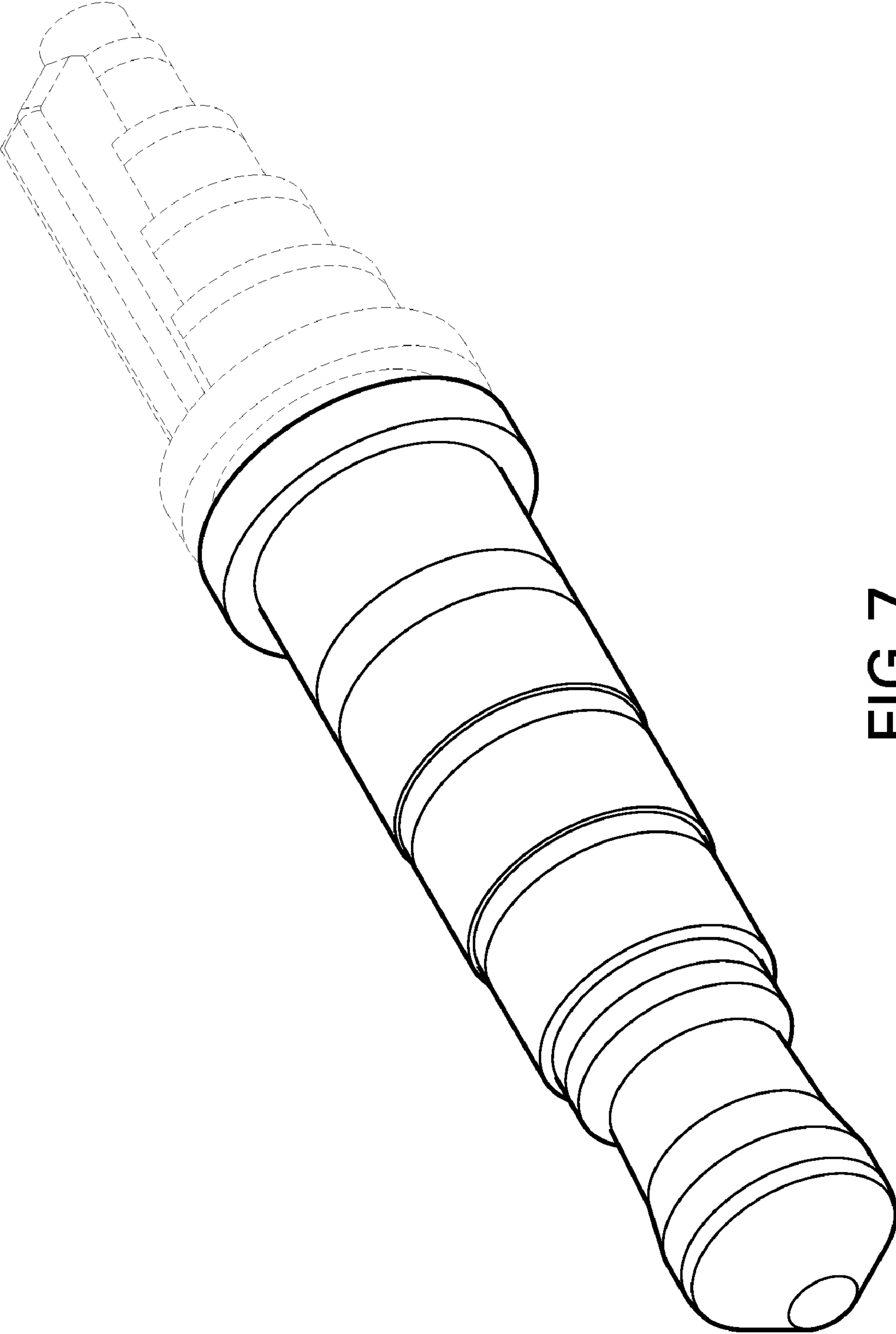


FIG. 7