



US00D604251S

(12) **United States Design Patent**
Hwang

(10) **Patent No.:** **US D604,251 S**
(45) **Date of Patent:** **** Nov. 17, 2009**

- (54) **AUDIO VIDEO CABLE**
- (75) Inventor: **Suhyun Hwang**, Flushing, NY (US)
- (73) Assignee: **Bell'O International Corp.**,
Morganville, NJ (US)
- (**) Term: **14 Years**
- (21) Appl. No.: **29/310,488**
- (22) Filed: **Aug. 21, 2008**
- (51) **LOC (9) Cl.** **13-03**
- (52) **U.S. Cl.** **D13/154**
- (58) **Field of Classification Search** D13/133,
D13/146-147, 154, 184; 439/350, 353, 358,
439/447, 607-610, 660, 677, 680, 682, 686
See application file for complete search history.

- D576,105 S 9/2008 Victor
- D577,678 S 9/2008 Ball et al.
- D580,862 S 11/2008 Amidon
- D582,849 S 12/2008 Kuo
- D588,995 S * 3/2009 Wu et al. D13/147

OTHER PUBLICATIONS

Oculus audio and video cables promotional information obtained from website www.oculus-designs.com.
Honeywell audio cable promotional information obtained from website www.genescable.com/documents/L_GNASMBYB_D.pdf.

* cited by examiner

Primary Examiner—Daniel D Bui
(74) *Attorney, Agent, or Firm*—Lerner, David, Littenberg, Krumholz & Mentlik, LLP

(56) **References Cited**

U.S. PATENT DOCUMENTS

- D355,159 S 2/1995 Cheng
- D393,830 S 4/1998 Tobler et al.
- D405,056 S 2/1999 Lee
- D405,057 S 2/1999 Martin et al.
- D411,175 S 6/1999 Doren et al.
- D413,569 S 9/1999 Peterson et al.
- D414,462 S 9/1999 Peterson et al.
- D422,560 S * 4/2000 Lok D13/147
- D434,009 S 11/2000 Lee
- D442,555 S 5/2001 Milan
- D442,919 S * 5/2001 Milan D13/154
- D444,772 S * 7/2001 Milan D13/154
- D453,322 S 2/2002 Lee
- D465,205 S 11/2002 Orpilla et al.
- D473,194 S 4/2003 Lee
- D476,951 S * 7/2003 Hussaini et al. D13/147
- D484,463 S 12/2003 Hussaini et al.
- D489,332 S * 5/2004 Nishio et al. D13/147
- D505,390 S 5/2005 Lee et al.
- D515,511 S * 2/2006 Nishio et al. D13/147
- D516,032 S * 2/2006 Suckle et al. D13/147
- D531,581 S * 11/2006 Wang et al. D13/147
- D550,157 S 9/2007 Victor
- D556,146 S 11/2007 Victor
- D563,872 S * 3/2008 Lee et al. D13/133
- D563,899 S * 3/2008 Goetz et al. D13/154
- D567,183 S 4/2008 Victor

(57) **CLAIM**

The ornamental design for an audio video cable, as shown and described.

DESCRIPTION

FIG. 1 is a front perspective view of a first embodiment of my design for an audio video cable;

FIG. 2 is a front elevational view thereof;

FIG. 3 is a top plan view thereof (the bottom plan view is identical thereto);

FIG. 4 is a left side view thereof (the right side is identical thereto);

FIG. 5 is a front perspective view of a second embodiment of the audio video cable; and,

FIG. 6. is a top plan view of the second embodiment (the bottom plan view is identical to the top plan view, and all other views are the same as the corresponding views of the first embodiment).

The broken line portion of the figure drawings is included to show unclaimed subject matter only and forms no part of the claimed design.

1 Claim, 3 Drawing Sheets

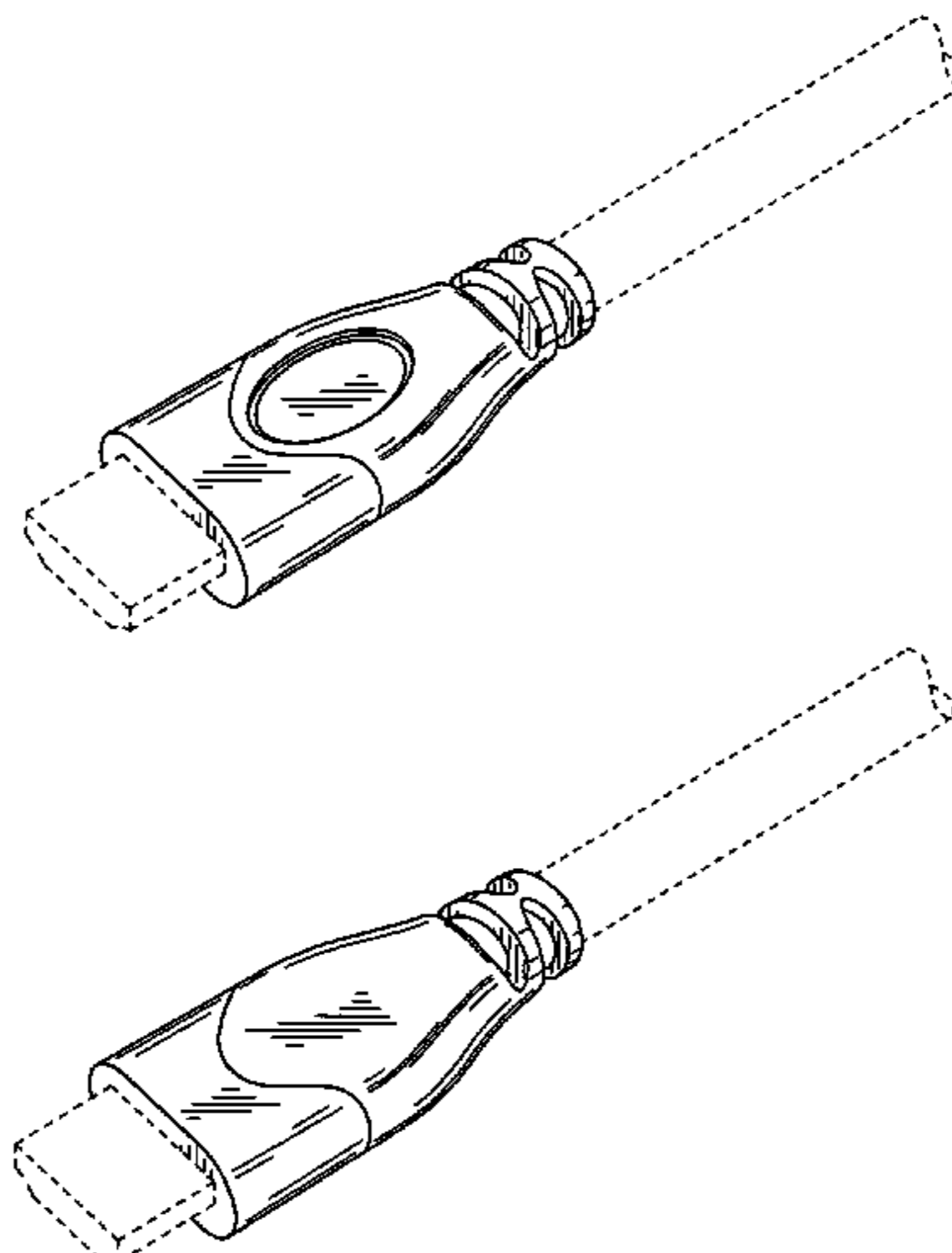


FIG. 1

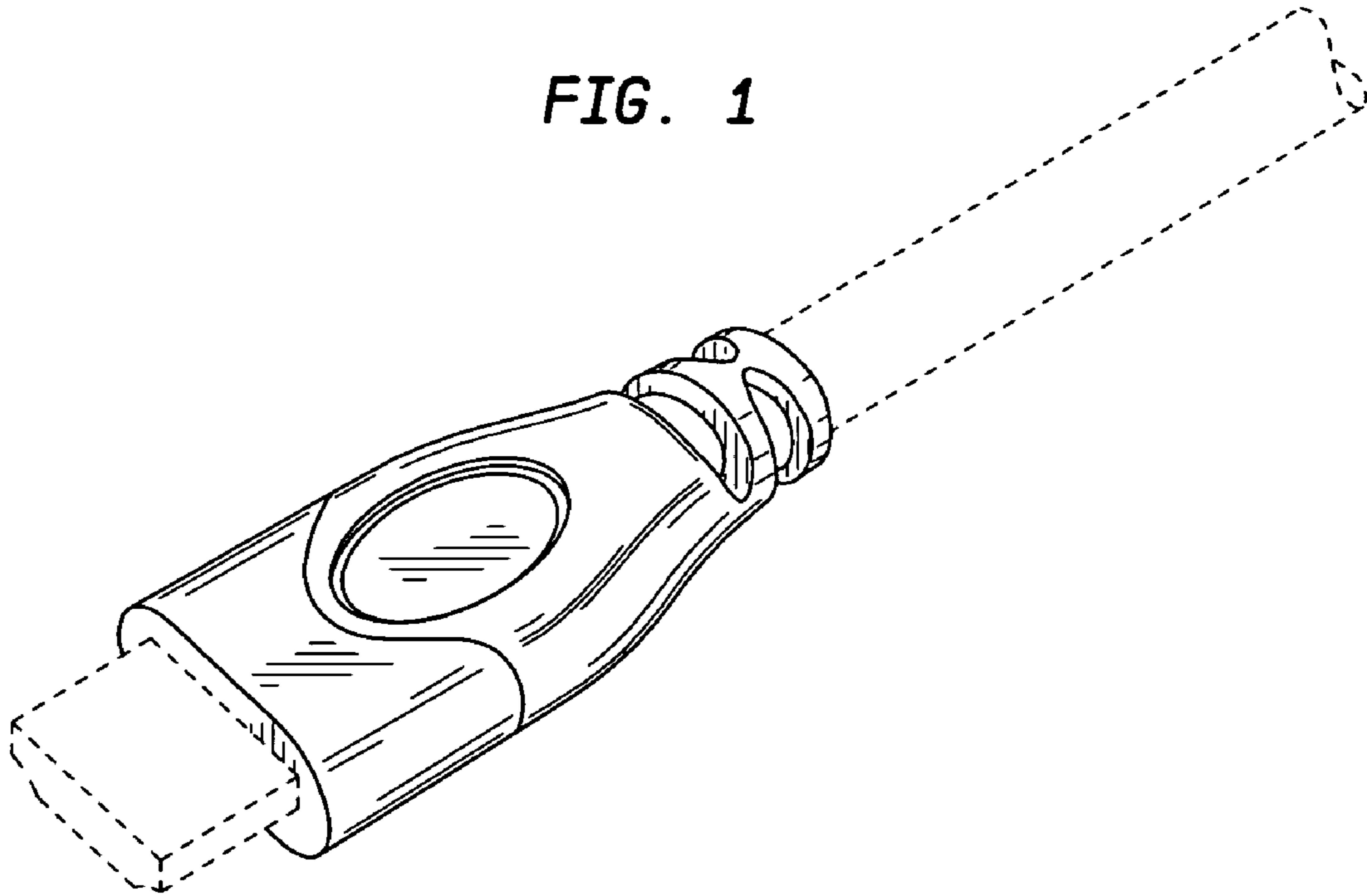


FIG. 2

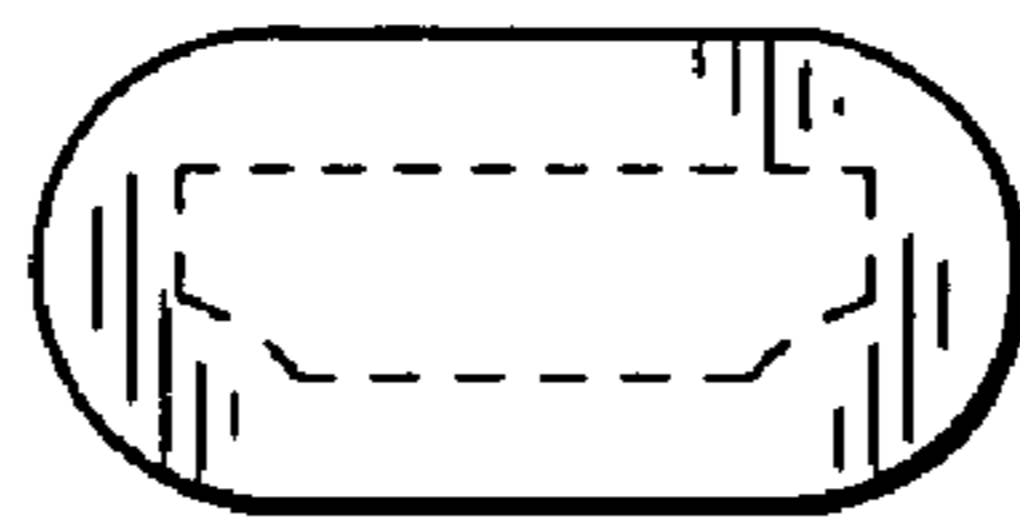


FIG. 3

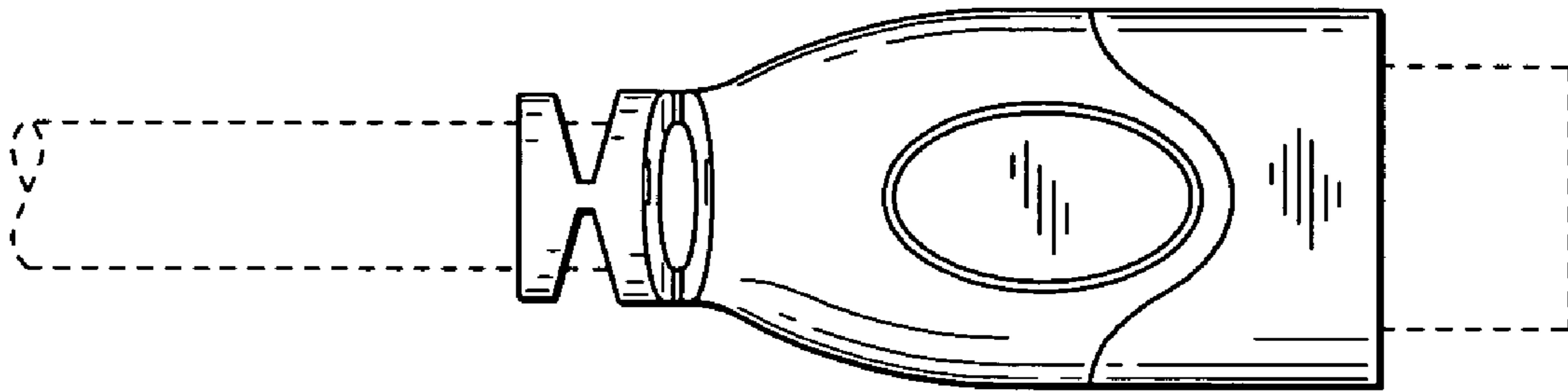


FIG. 4



FIG. 5

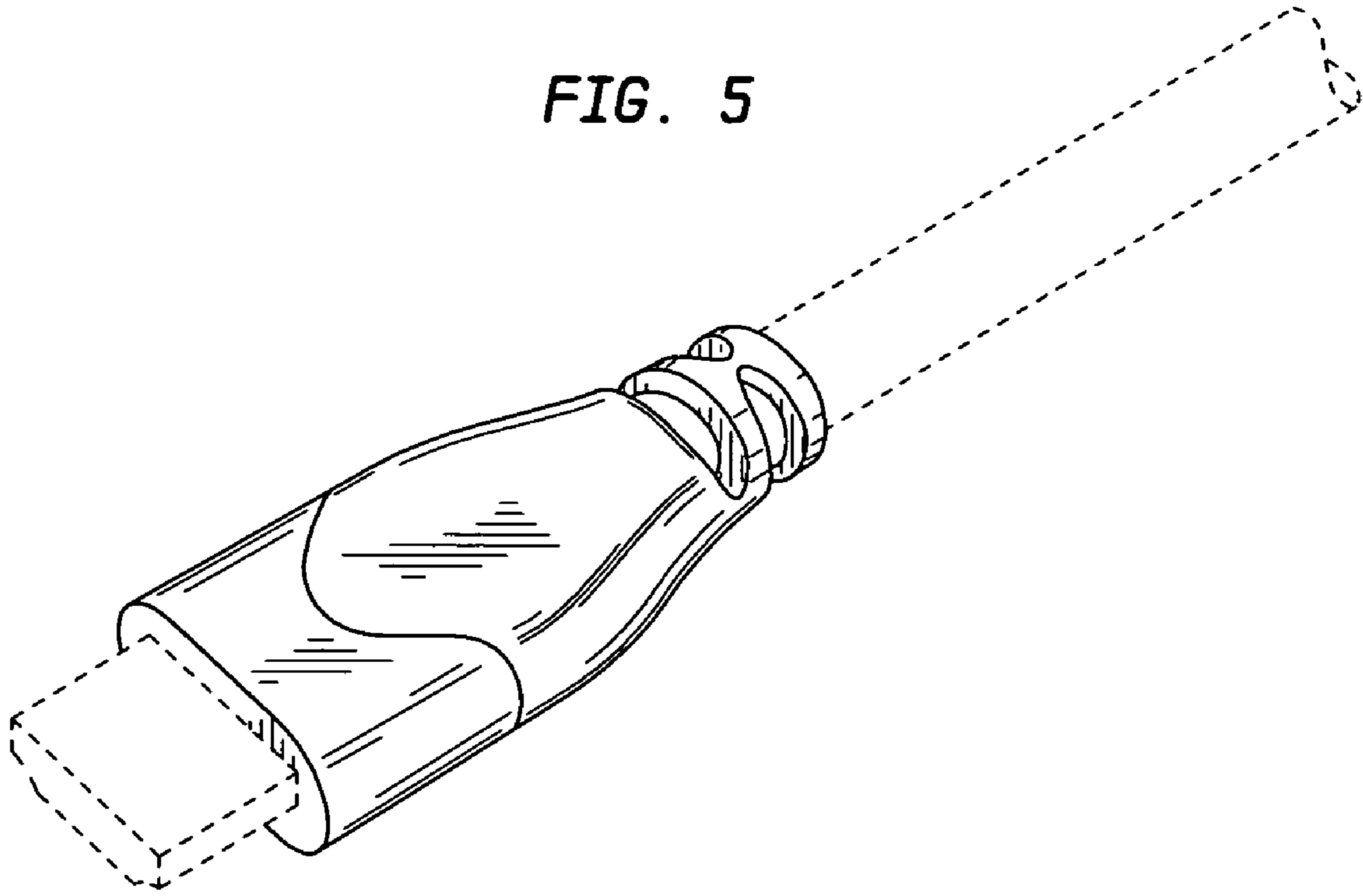


FIG. 6

