



US00D604250S

(12) **United States Design Patent**  
**Obikane et al.**

(10) **Patent No.:** **US D604,250 S**

(45) **Date of Patent:** **\*\* Nov. 17, 2009**

(54) **ELECTRICAL CONNECTOR**

(75) Inventors: **Hiroaki Obikane**, Tokyo (JP); **Tetsuya Ishikawa**, Tokyo (JP)

(73) Assignee: **Japan Aviation Electronics Industry Ltd.**, Tokyo (JP)

(\*\*) Term: **14 Years**

(21) Appl. No.: **29/336,154**

(22) Filed: **Apr. 29, 2009**

(30) **Foreign Application Priority Data**

Nov. 10, 2008 (JP) ..... 2008-028757

(51) **LOC (9) Cl.** ..... **13-03**

(52) **U.S. Cl.** ..... **D13/147**

(58) **Field of Classification Search** ..... D13/133,  
D13/146-147, 154, 184; 439/64, 79, 108,  
439/159-160, 260, 325-326, 329, 394-395,  
439/607-610, 629-630, 940

See application file for complete search history.

(56) **References Cited**

**U.S. PATENT DOCUMENTS**

D540,263 S \* 4/2007 Kishi et al. .... D13/147

D562,774 S \* 2/2008 Kojima et al. .... D13/147

D570,289 S \* 6/2008 Obikane ..... D13/147

D578,481 S \* 10/2008 Lee et al. .... D13/147

D588,541 S \* 3/2009 Lee et al. .... D13/147

\* cited by examiner

*Primary Examiner*—Daniel D Bui

(74) *Attorney, Agent, or Firm*—Frishauf, Holtz, Goodman & Chick, P.C.

(57) **CLAIM**

The ornamental design for an electrical connector, as shown and described.

**DESCRIPTION**

FIG. 1 is a front, top and right side perspective view of an electrical connector showing our new design;

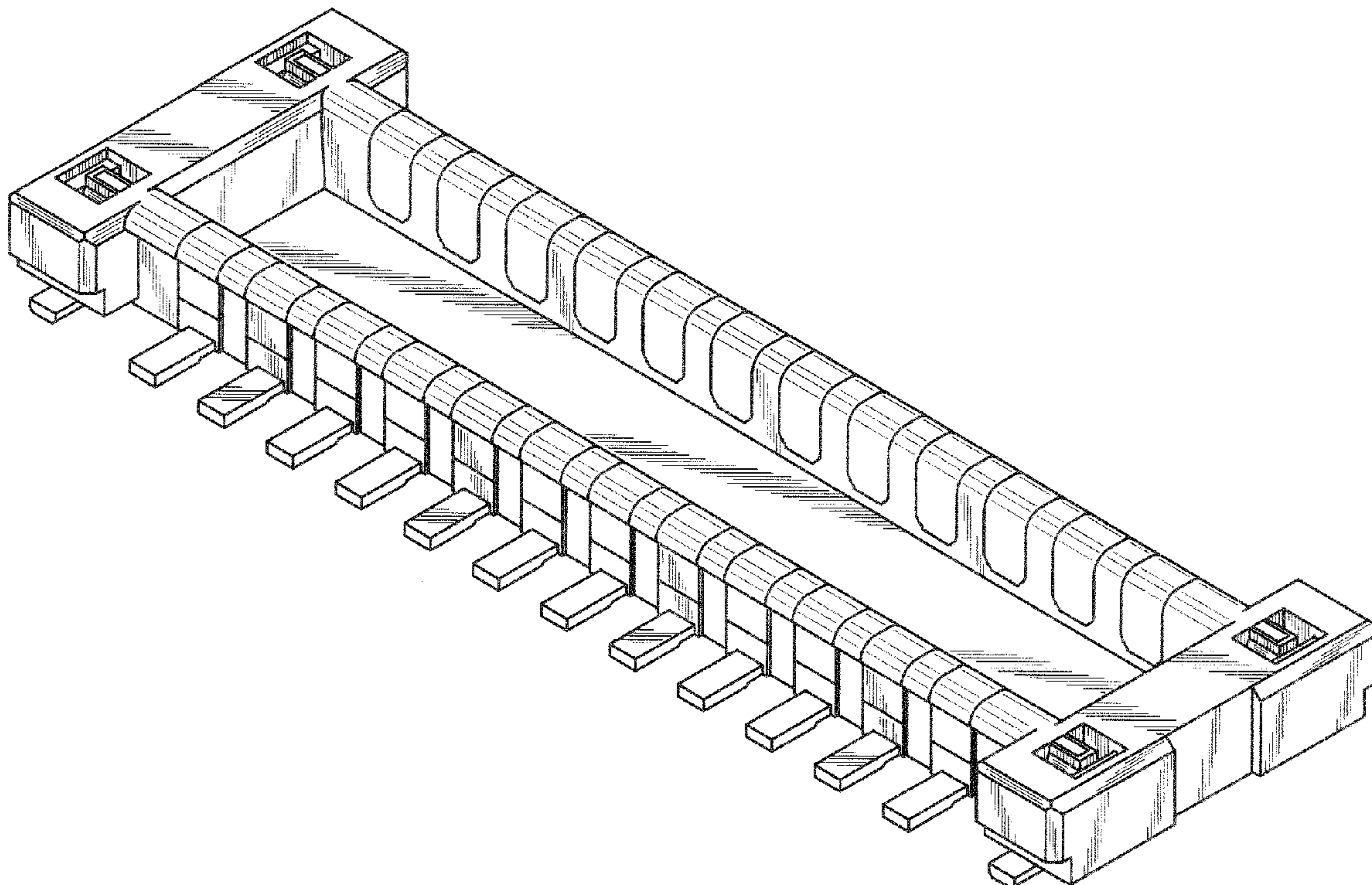
FIG. 2 is a front elevational view thereof, the rear elevational view being the same as the front elevational view;

FIG. 3 is a top plan view thereof;

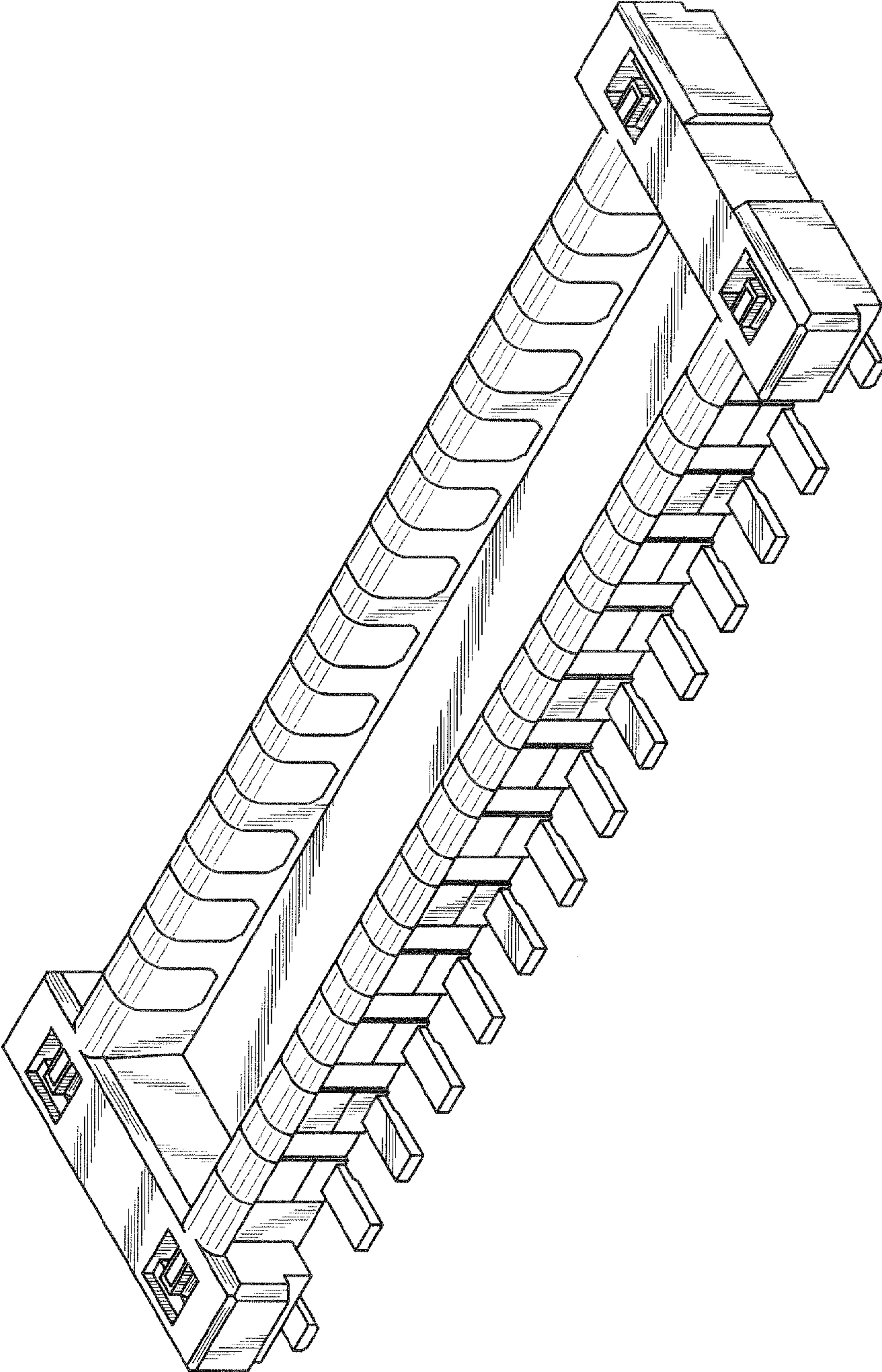
FIG. 4 is a bottom plan view thereof; and,

FIG. 5 is a right side view thereof, the left side view being the same as the right side view.

**1 Claim, 3 Drawing Sheets**

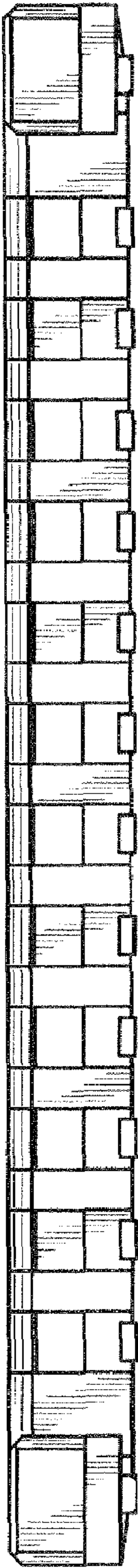


*FIG. 1*

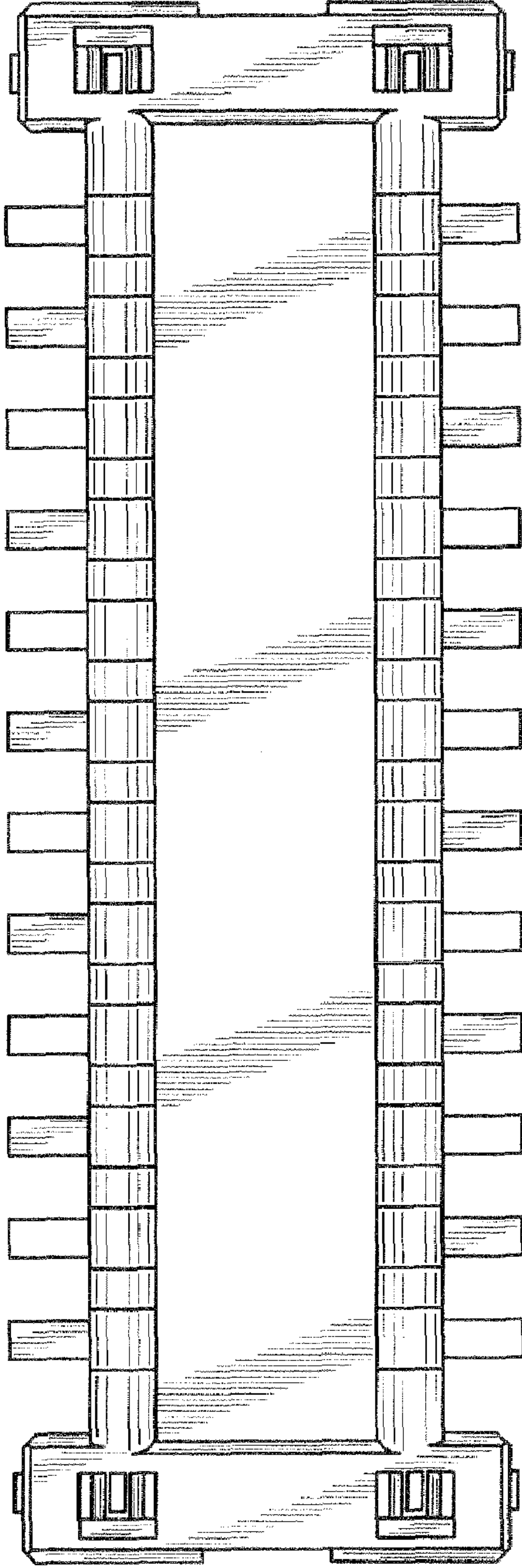




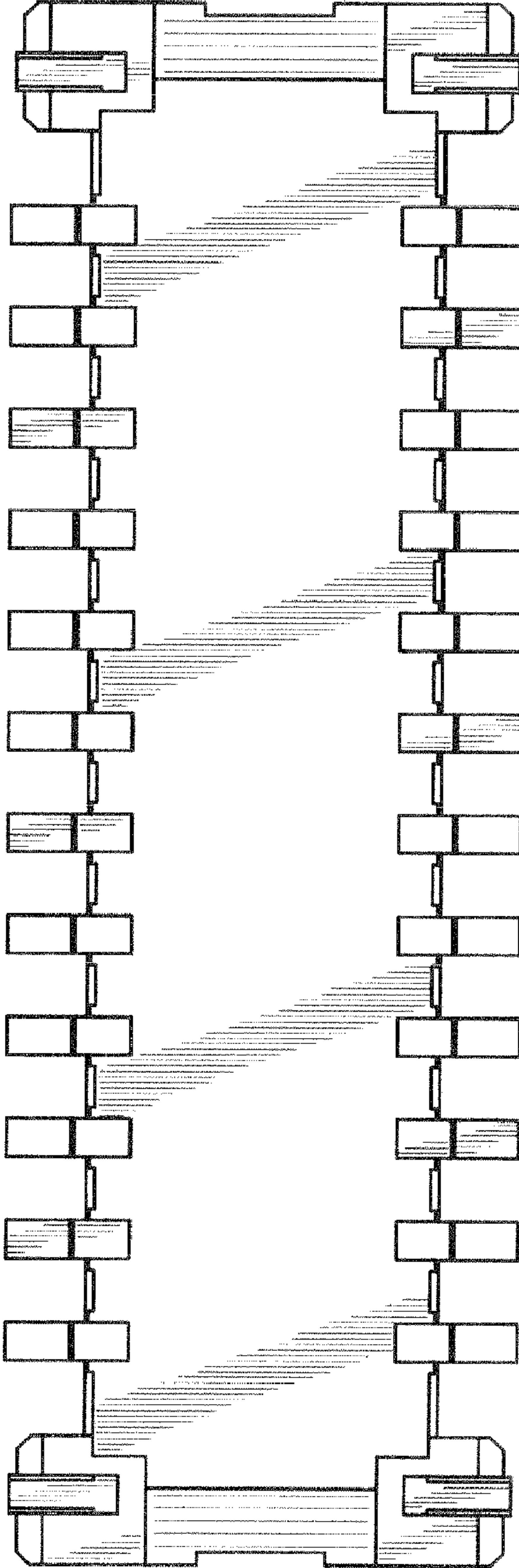
*FIG. 2*



*FIG. 3*



*FIG. 4*



*FIG. 5*

