



US00D604249S

(12) **United States Design Patent**
Mancini

(10) **Patent No.:** **US D604,249 S**

(45) **Date of Patent:** **** Nov. 17, 2009**

(54) **1×4 CONNECTOR HOUSING**

(75) Inventor: **Danna A Mancini**, Worcester, MA (US)

(73) Assignee: **Anderson Power Products, Inc.**,
Sterling, MA (US)

(**) Term: **14 Years**

(21) Appl. No.: **29/331,141**

(22) Filed: **Jan. 21, 2009**

(51) **LOC (9) Cl.** **13-03**

(52) **U.S. Cl.** **D13/147**

(58) **Field of Classification Search** D13/133,
D13/146–147, 154, 184; 439/352, 354, 357,
439/374, 607–610, 637–638, 660, 680
See application file for complete search history.

(56) **References Cited**

U.S. PATENT DOCUMENTS

D529,444 S * 10/2006 Kudo D13/147
D561,101 S * 2/2008 Sakamoto D13/133
D574,772 S * 8/2008 Sutter D13/133

D574,773 S * 8/2008 Sutter D13/133

* cited by examiner

Primary Examiner—Daniel D Bui

(74) *Attorney, Agent, or Firm*—Vern Maine & Associates

(57) **CLAIM**

The ornamental design for a 1×4 connector housing, as shown and described

DESCRIPTION

FIG. 1 is a front view of the 1×4 connector housing showing my new design;

FIG. 2 is a back view thereof;

FIG. 3 is a right side view thereof;

FIG. 4 is a left side view thereof;

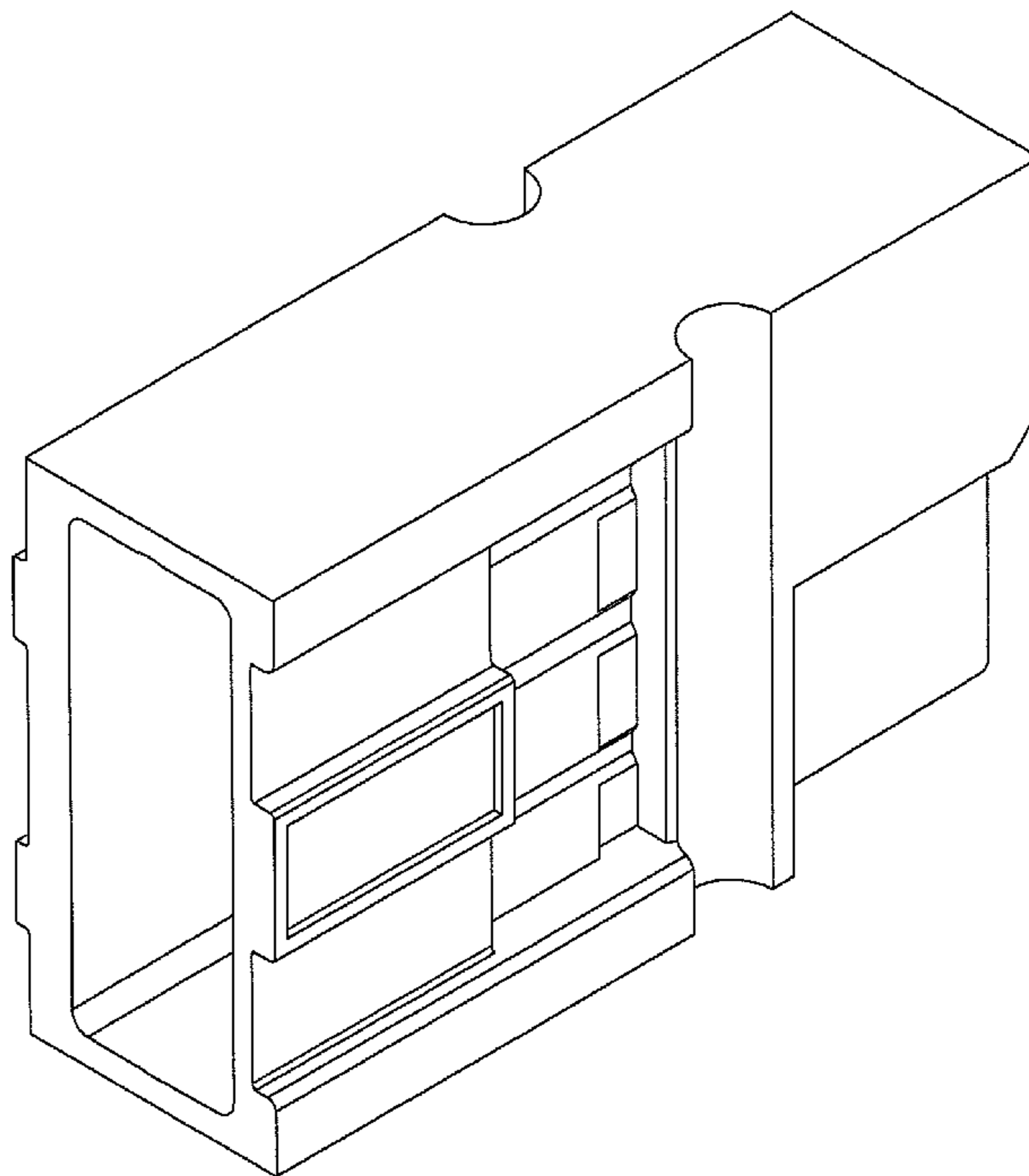
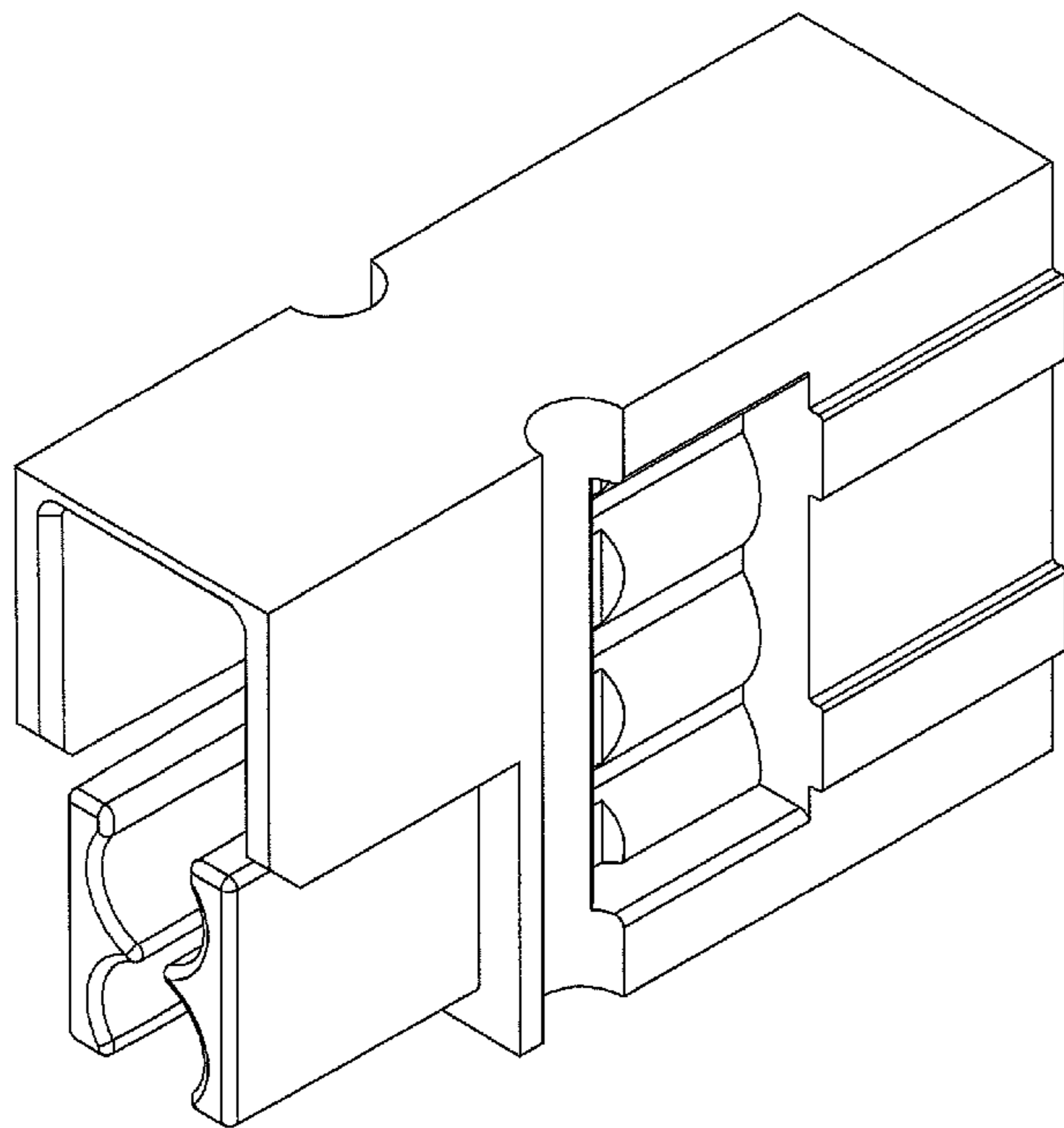
FIG. 5 is a top view thereof;

FIG. 6 is a bottom view thereof;

FIG. 7 is a front perspective view thereof; and,

FIG. 8 is a back perspective view thereof.

1 Claim, 8 Drawing Sheets



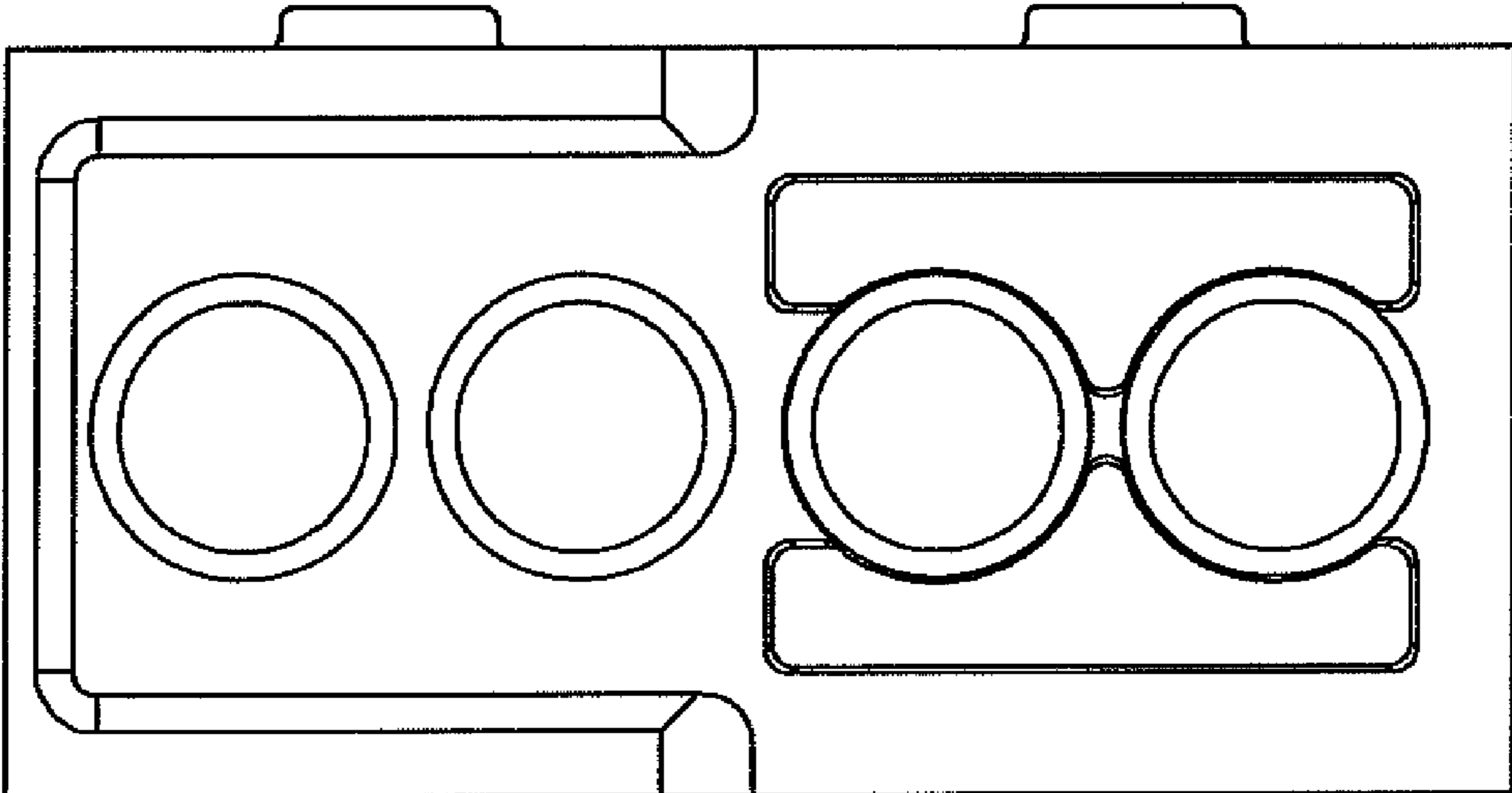


FIG. 1

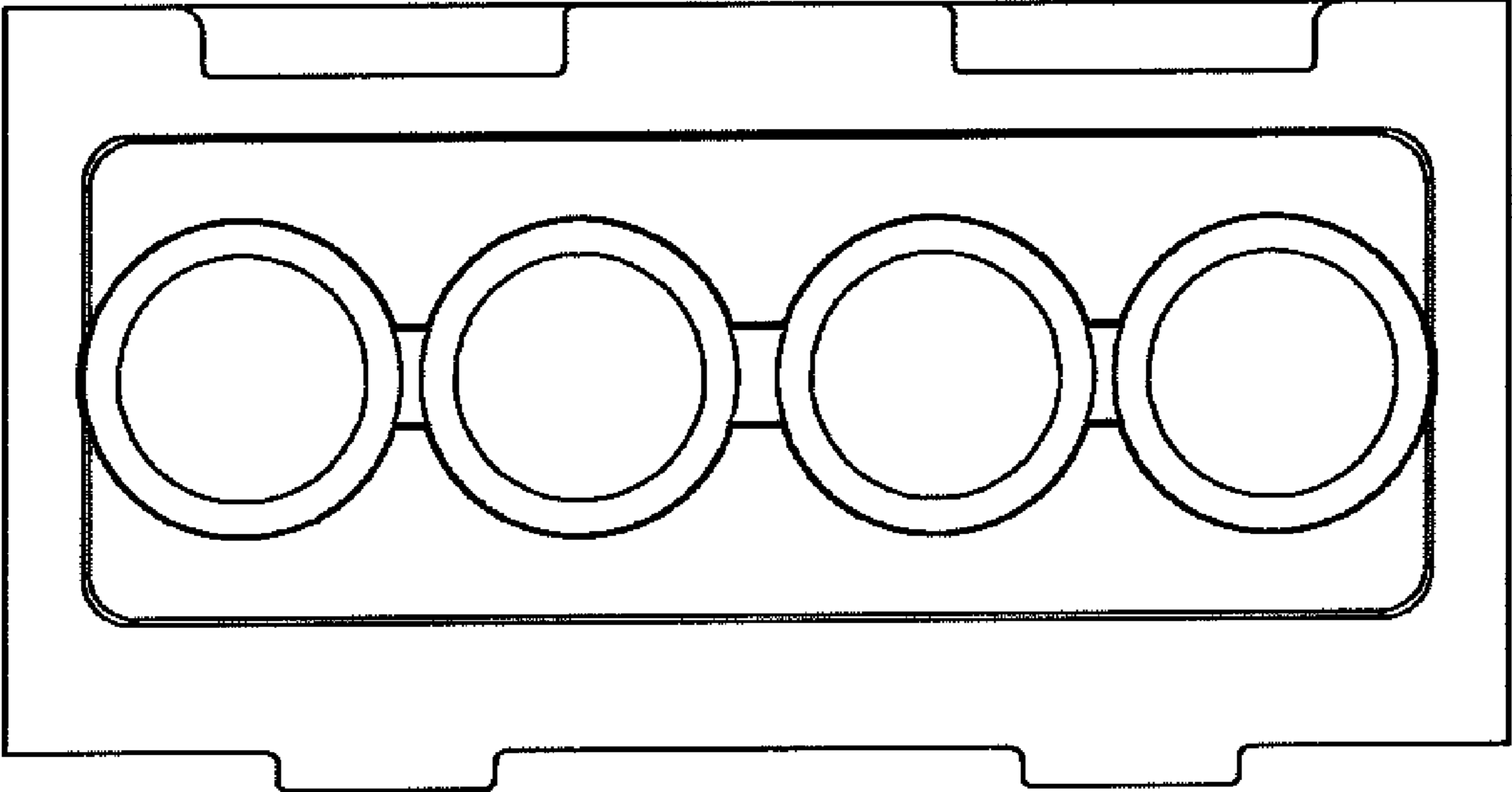


FIG. 2

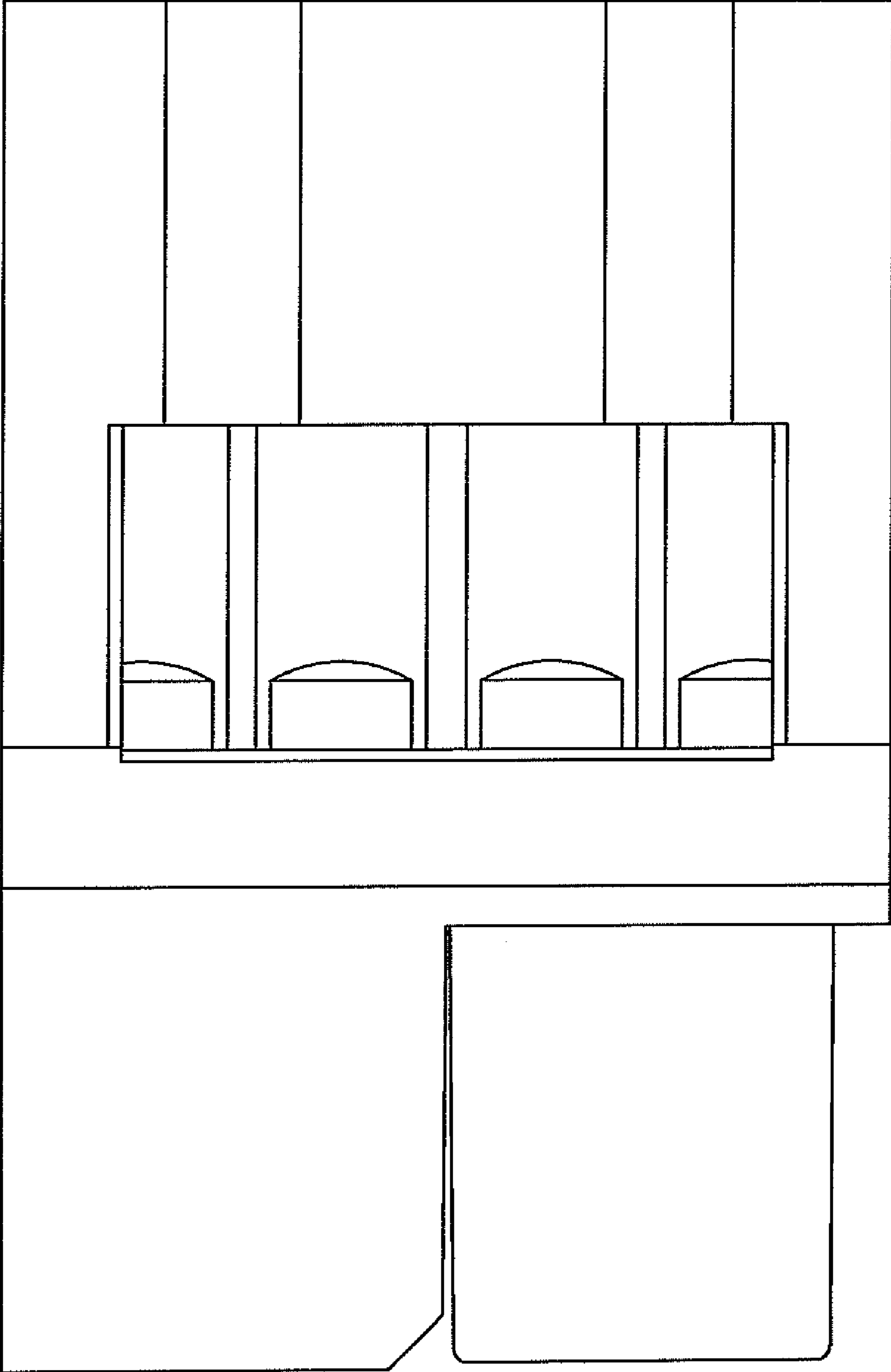


FIG. 3

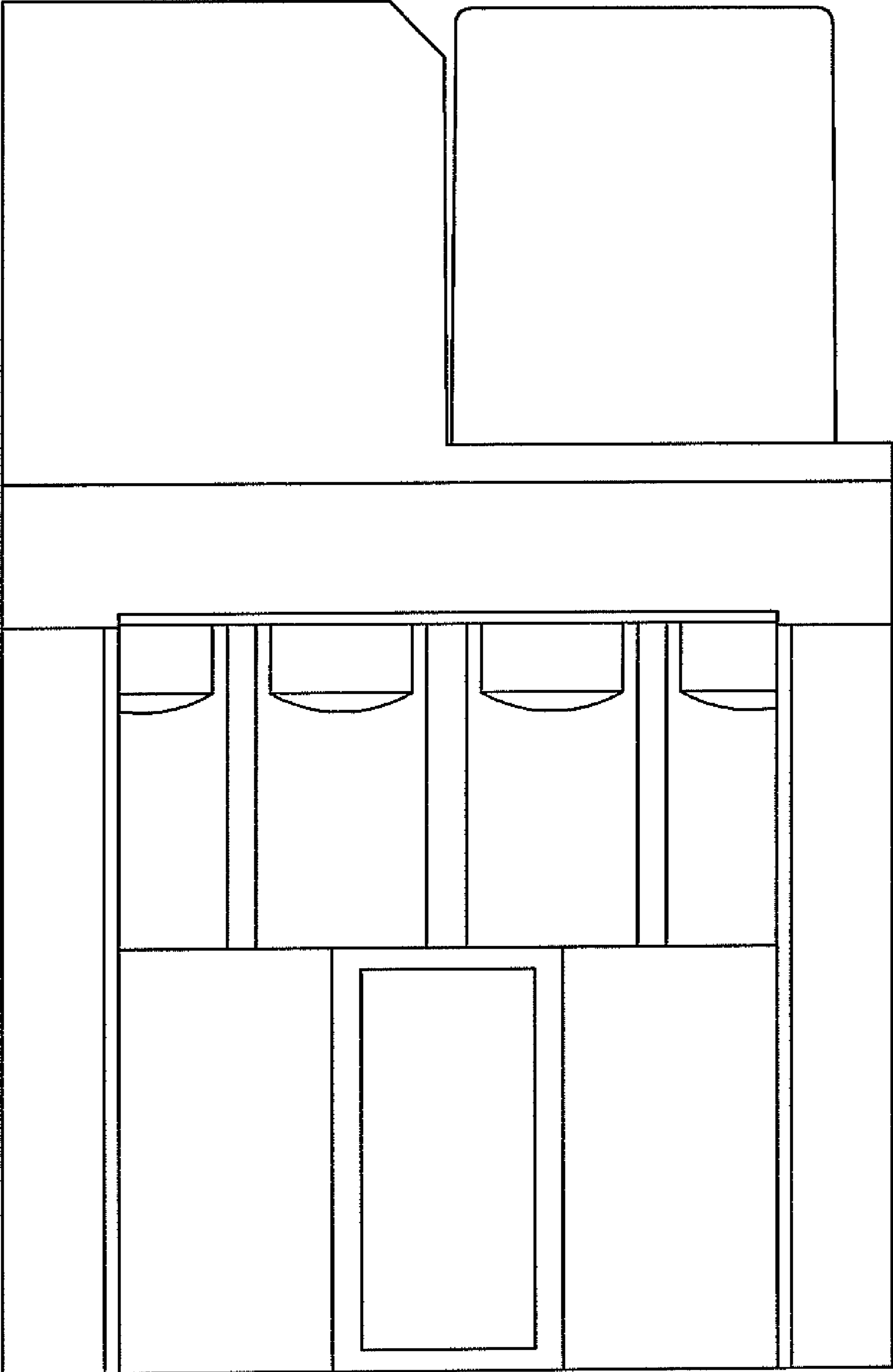


FIG. 4

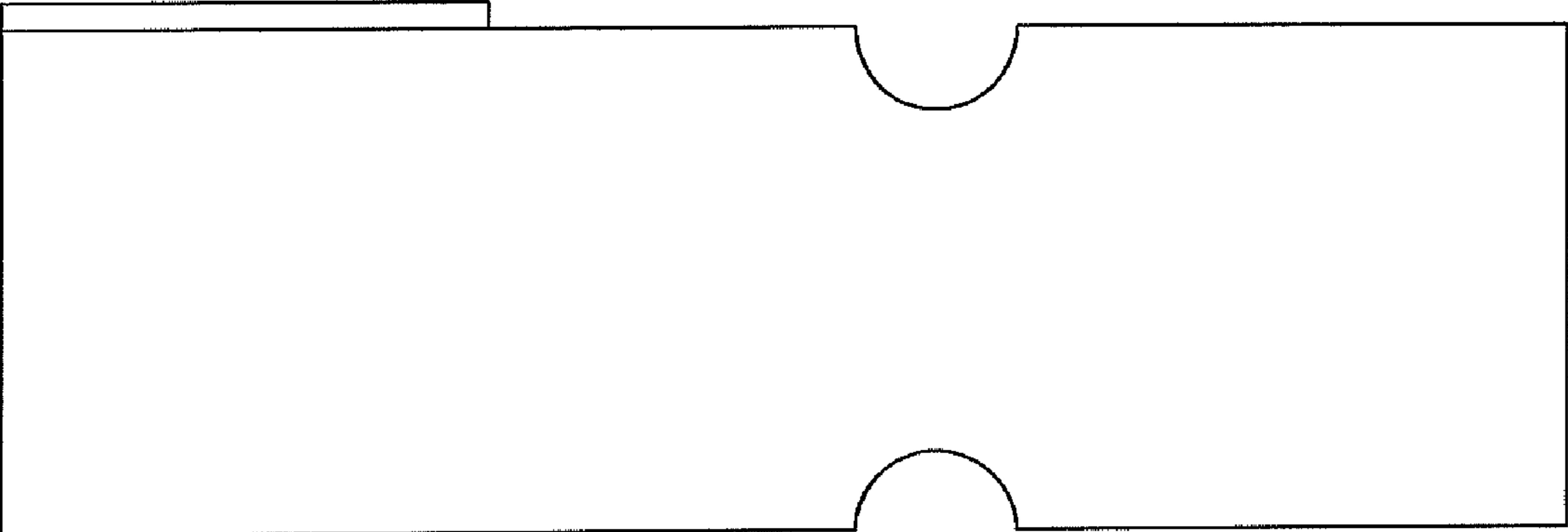


FIG. 5

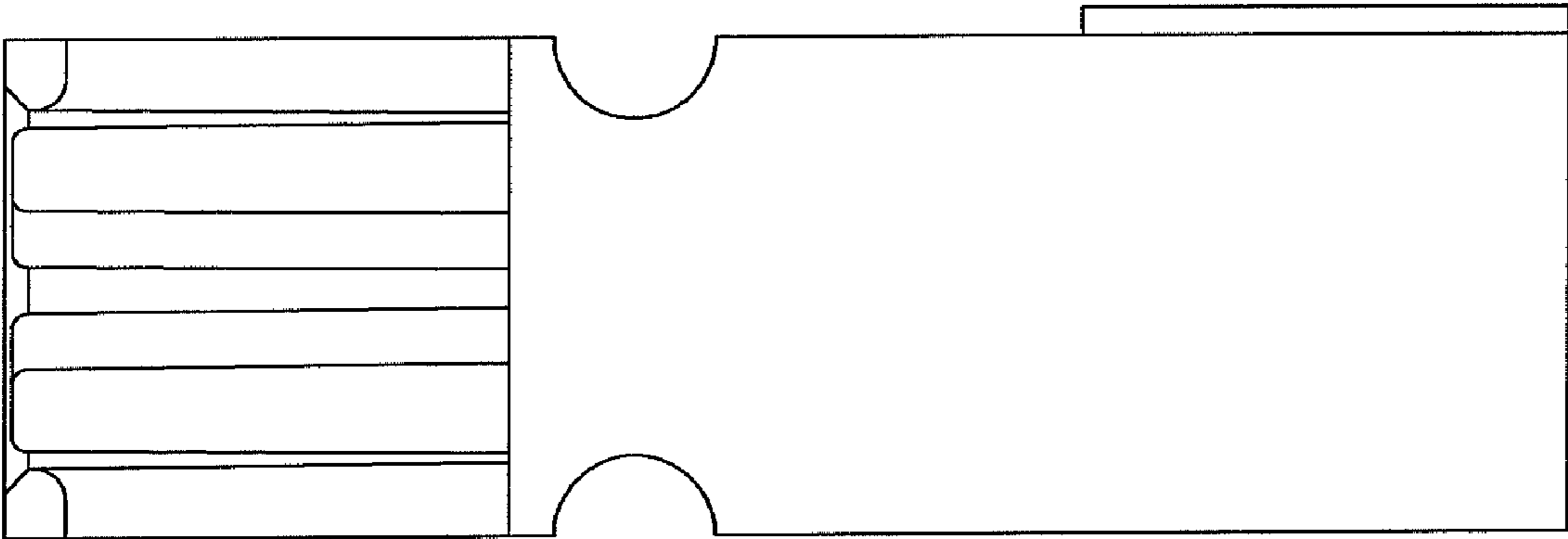


FIG. 6

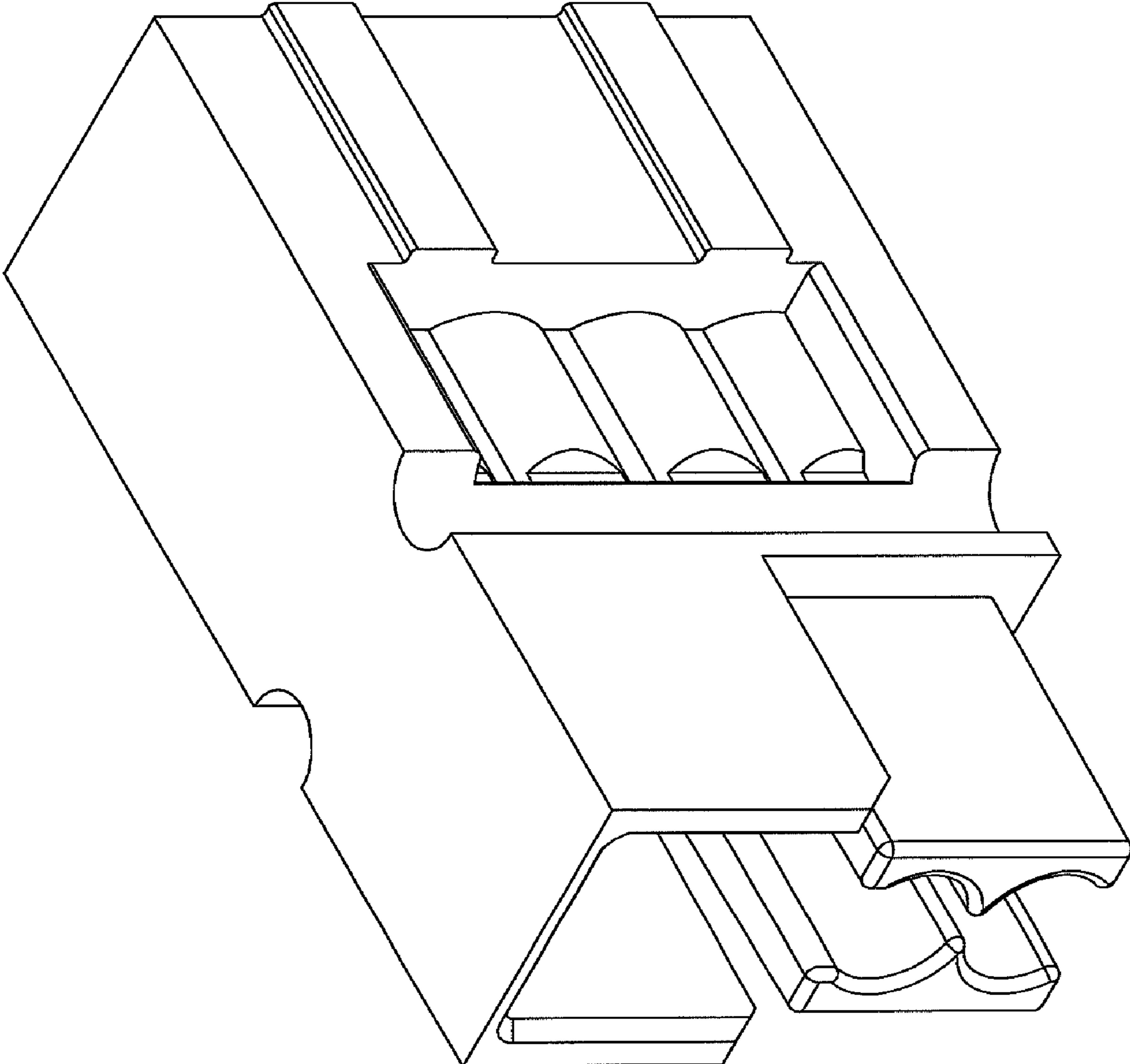


FIG. 7

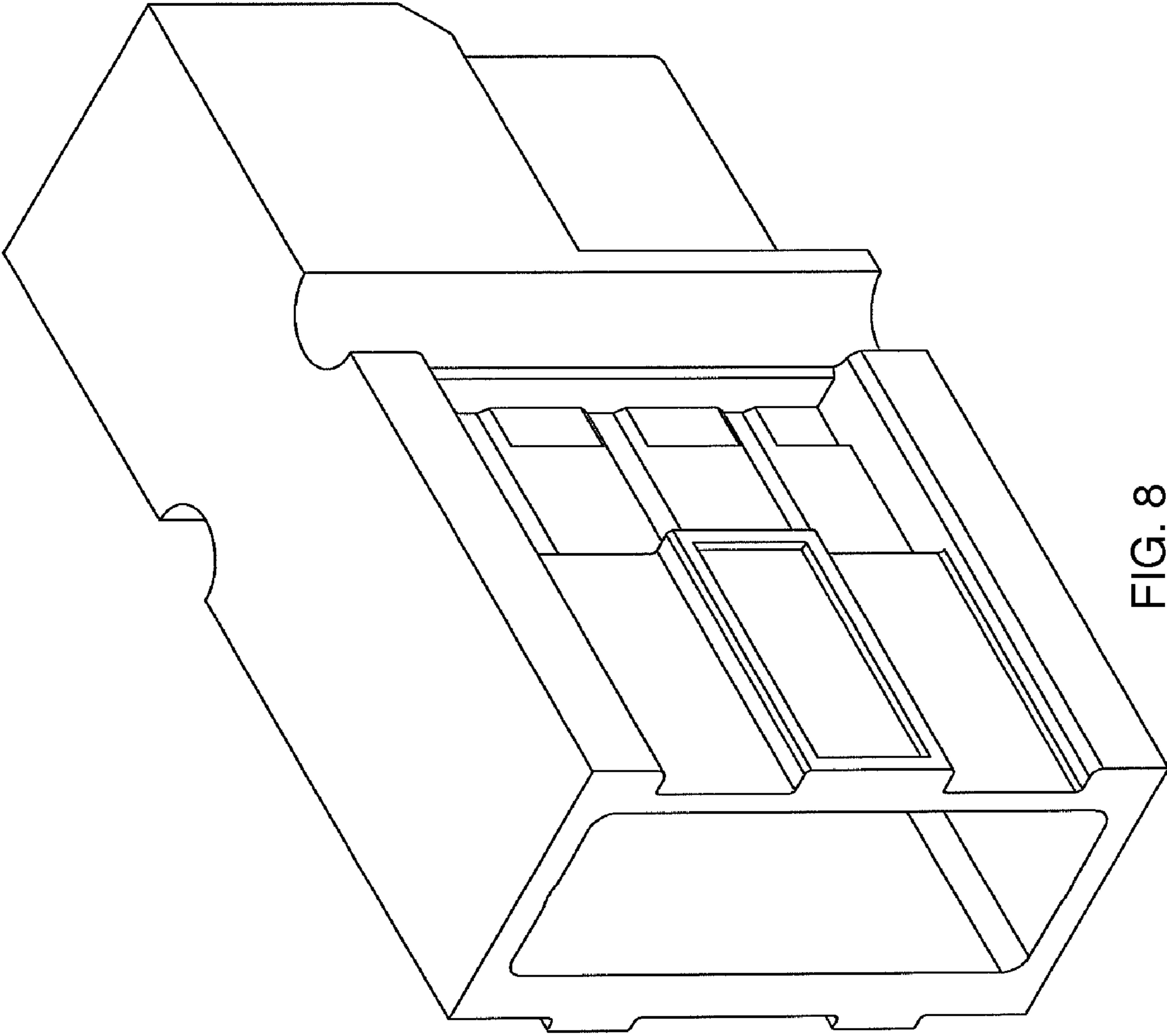


FIG. 8