



US00D604246S

(12) **United States Design Patent**
Mancini

(10) **Patent No.:** **US D604,246 S**

(45) **Date of Patent:** **** Nov. 17, 2009**

(54) **ELECTRICAL CONNECTOR**

(74) *Attorney, Agent, or Firm*—Vern Maine & Associates

(75) Inventor: **Danna A Mancini**, Worcester, MA (US)

(57) **CLAIM**

(73) Assignee: **Anderson Power Products, Inc.**,
Sterling, MA (US)

The ornamental design for an electrical connector, as shown and described.

(**) Term: **14 Years**

DESCRIPTION

(21) Appl. No.: **29/324,296**

FIG. 1 is a top, front, and right side perspective view of the first embodiment of an electrical connector showing my new design;

(22) Filed: **Sep. 10, 2008**

FIG. 2 is a front elevation view thereof,

(51) **LOC (9) Cl.** **13-03**

FIG. 3 is a back elevation view thereof on a large scale;

(52) **U.S. Cl.** **D13/146**

FIG. 4 is a right side elevation view thereof;

(58) **Field of Classification Search** D13/133,
D13/146–147, 154, 184; 439/352, 354, 357,
439/374, 607–610, 637–638, 660, 680
See application file for complete search history.

FIG. 5 is a left side elevation view thereof;

FIG. 6 is a top plan view thereof;

FIG. 7 is a bottom plan view thereof;

(56) **References Cited**

FIG. 8 is a top, front, and right side perspective view of the second embodiment of an electrical connector;

U.S. PATENT DOCUMENTS

FIG. 9 is a right side elevation view thereof;

5,209,676 A * 5/1993 Endo et al. 439/595

FIG. 10 is a left side elevation view thereof;

D400,173 S * 10/1998 Starec et al. D13/138.1

FIG. 11 is a top plan view thereof; and,

D455,122 S * 4/2002 Bentz et al. D13/133

FIG. 12 is a bottom plan view thereof.

D459,311 S * 6/2002 Chen D13/147

D524,742 S * 7/2006 Kumagai D13/147

D574,772 S * 8/2008 Sutter D13/133

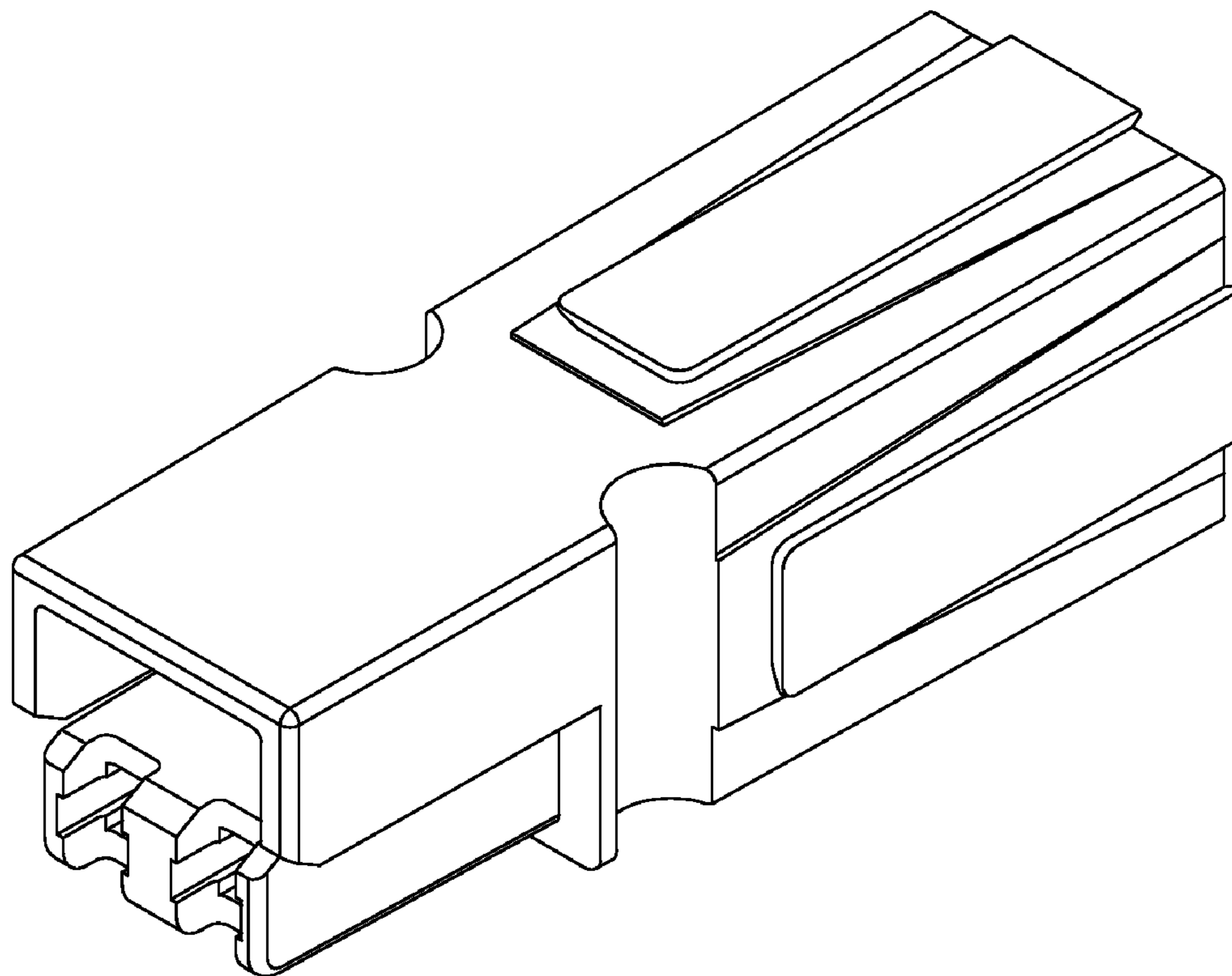
D574,773 S * 8/2008 Sutter D13/133

* cited by examiner

The broken line portions of the figure drawings is included to show unclaimed subject matter only and forms no part of the claimed design.

Primary Examiner—Daniel D Bui

1 Claim, 12 Drawing Sheets



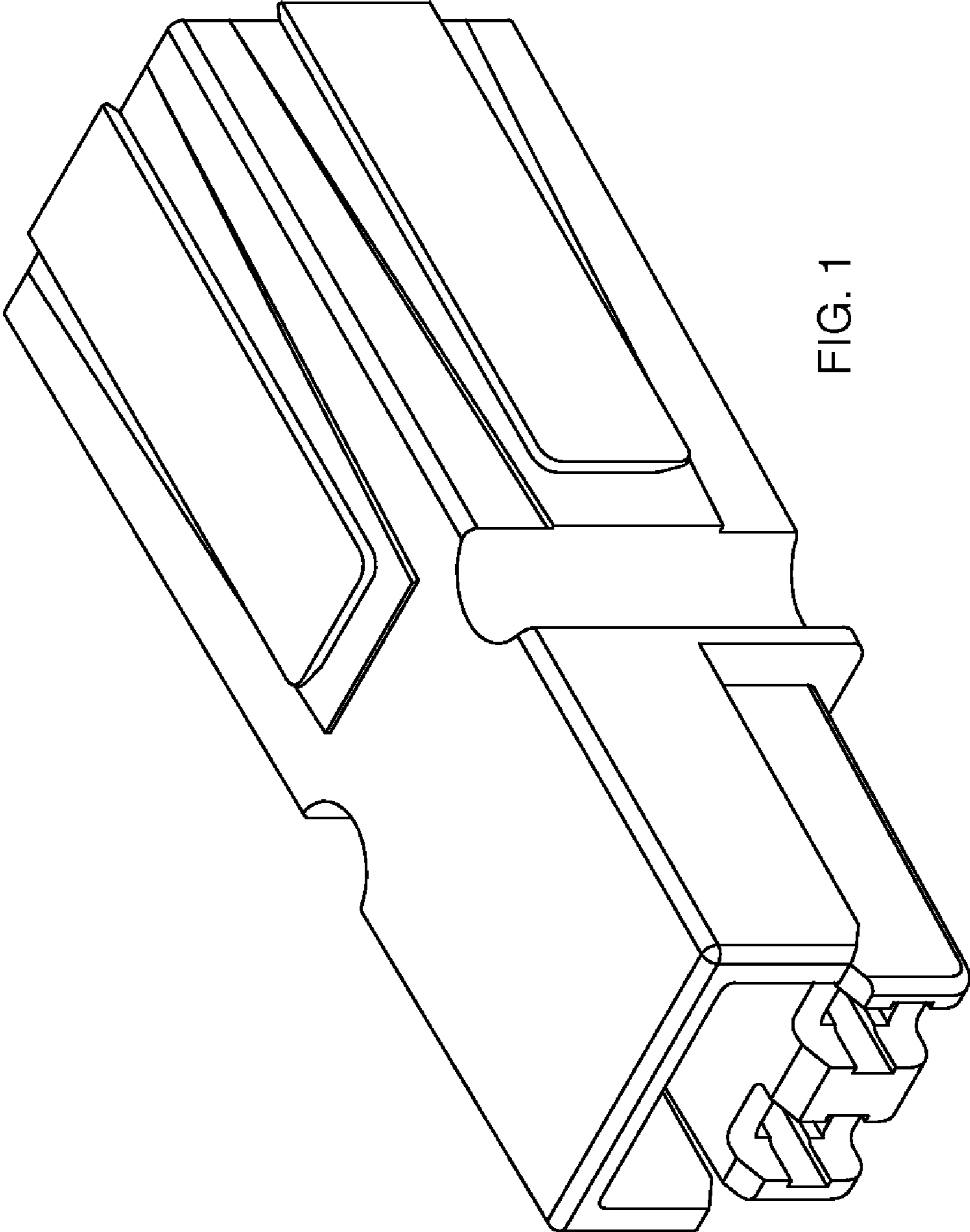


FIG. 1

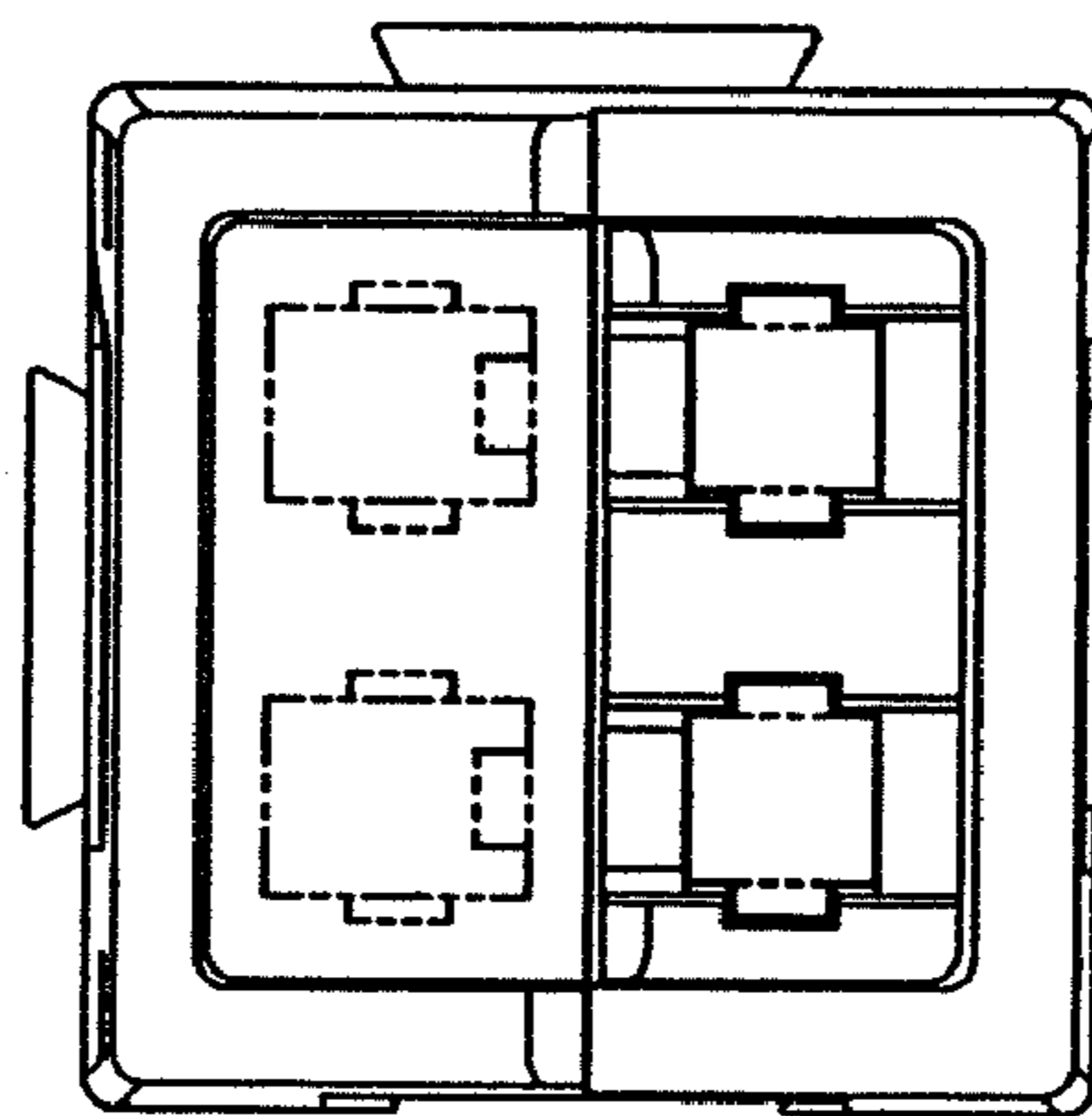


FIG. 2

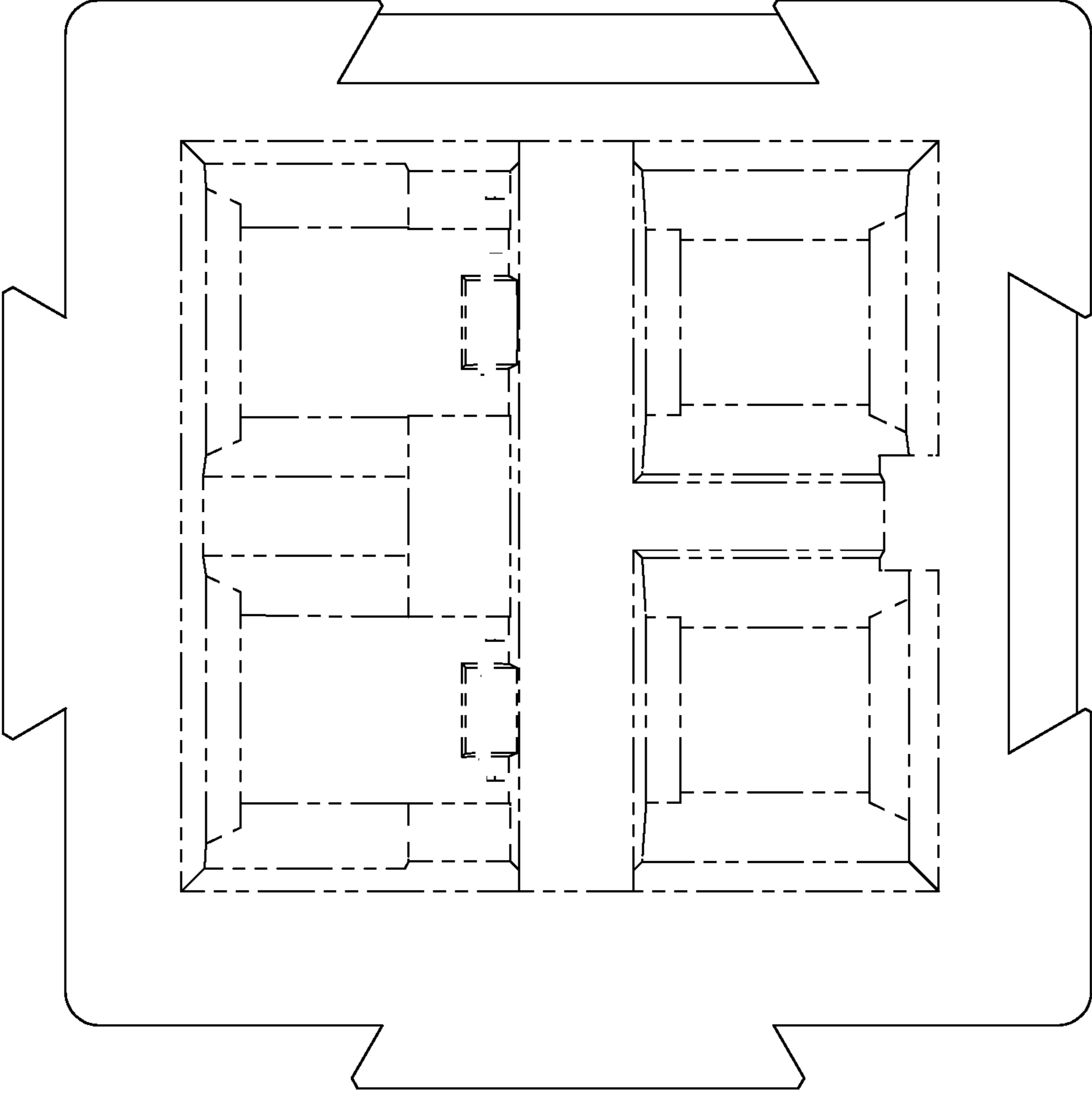


FIG. 3

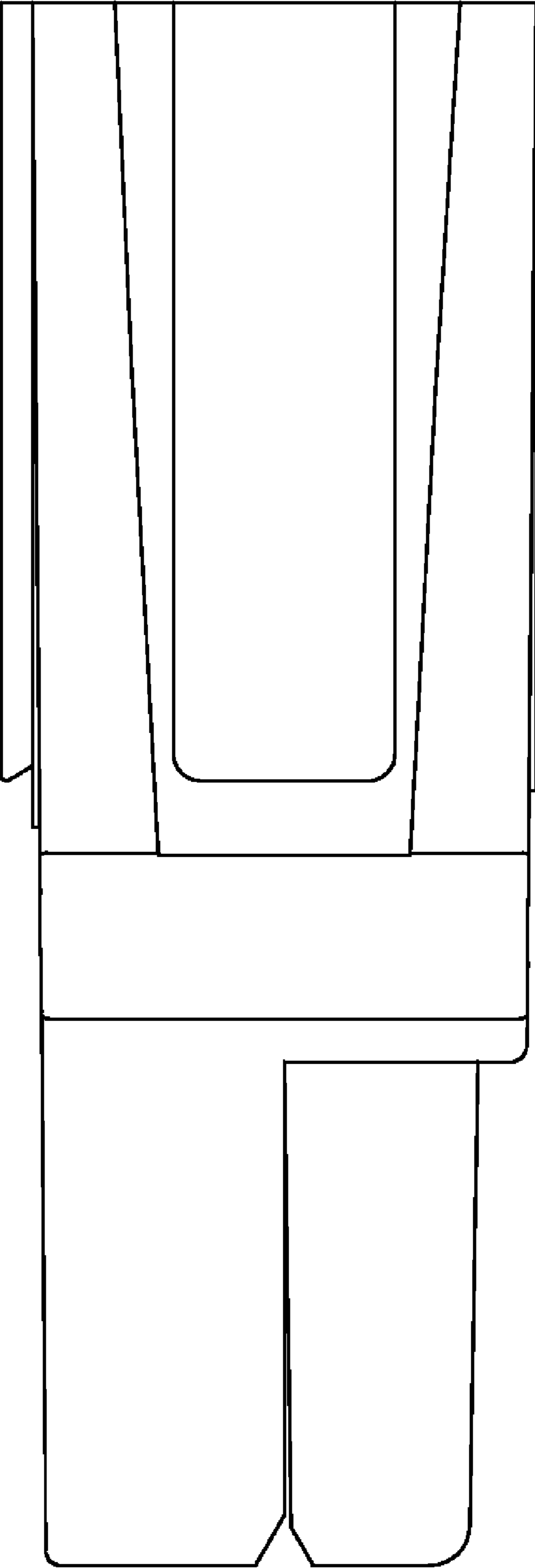


FIG. 4

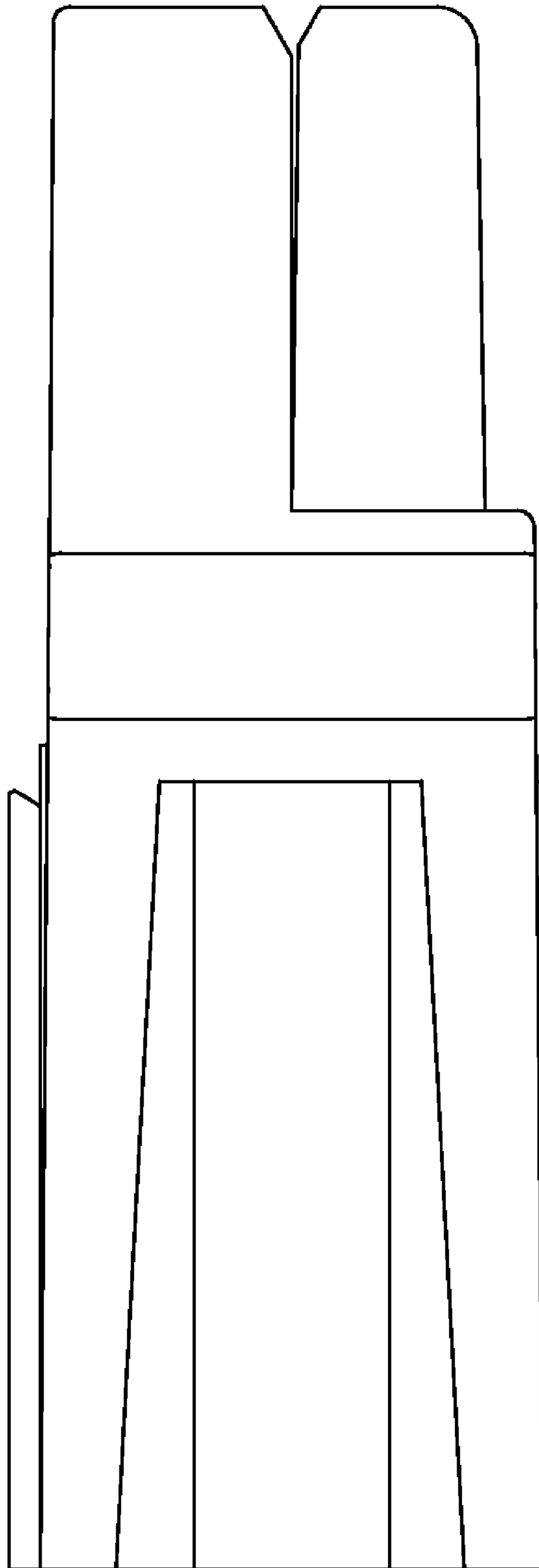


FIG. 5

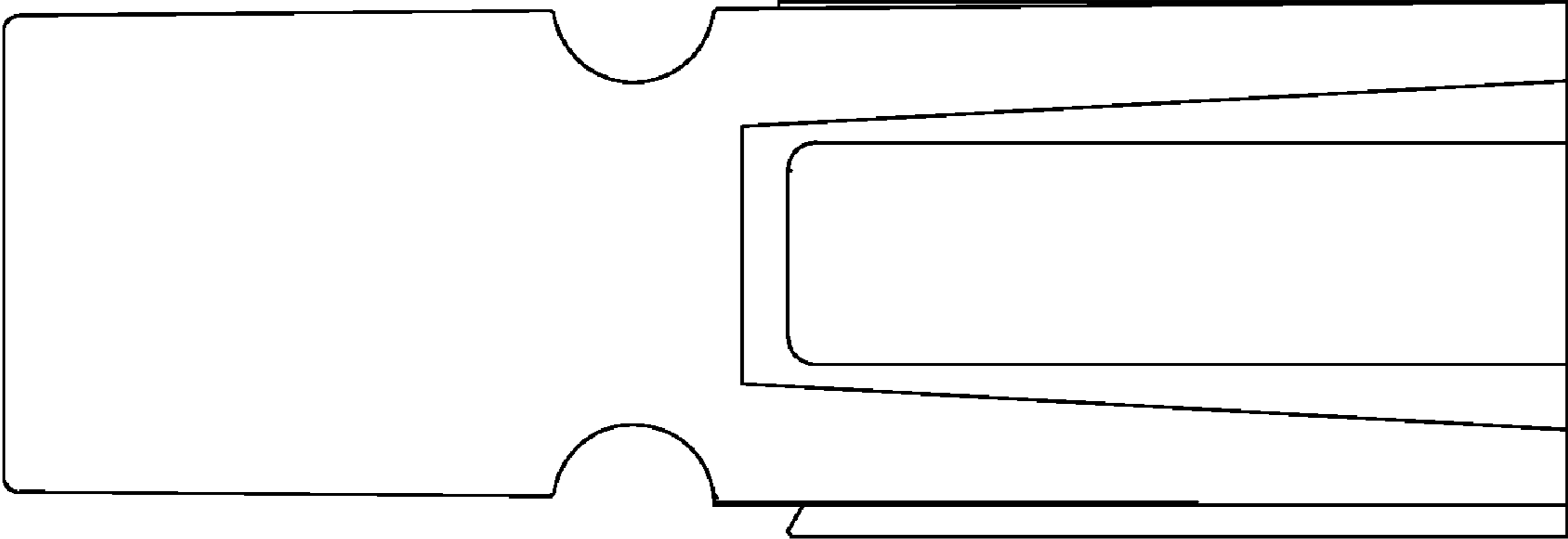


FIG. 6

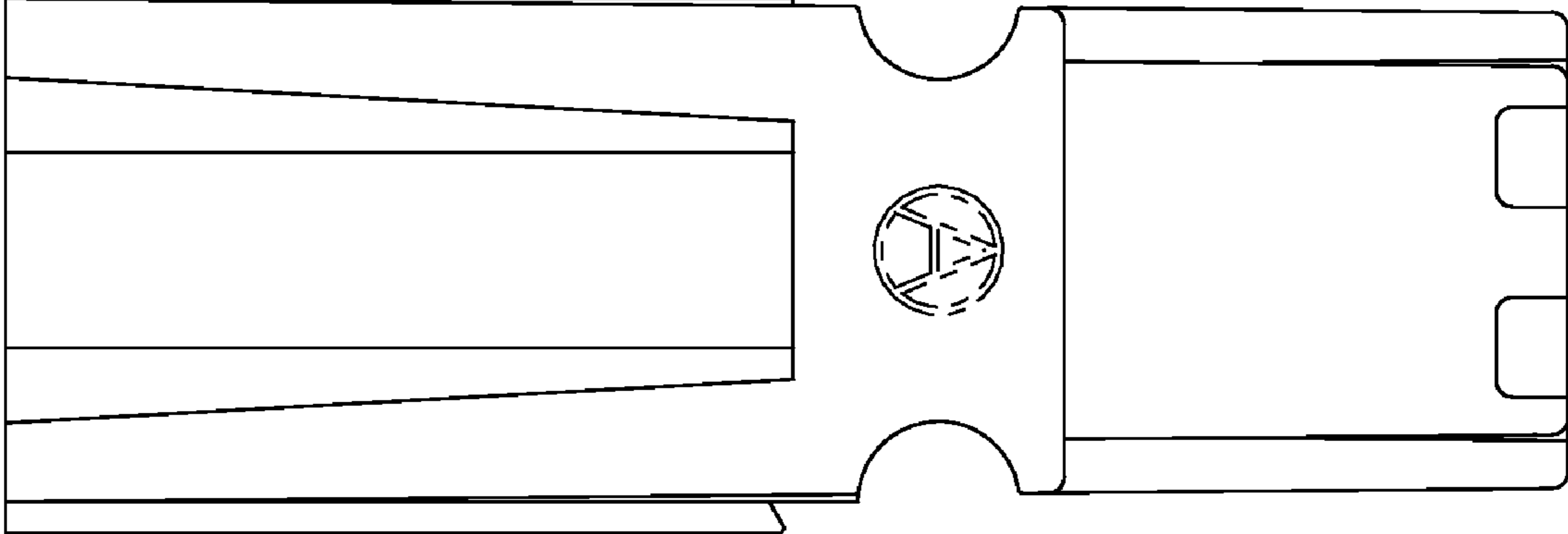


FIG. 7

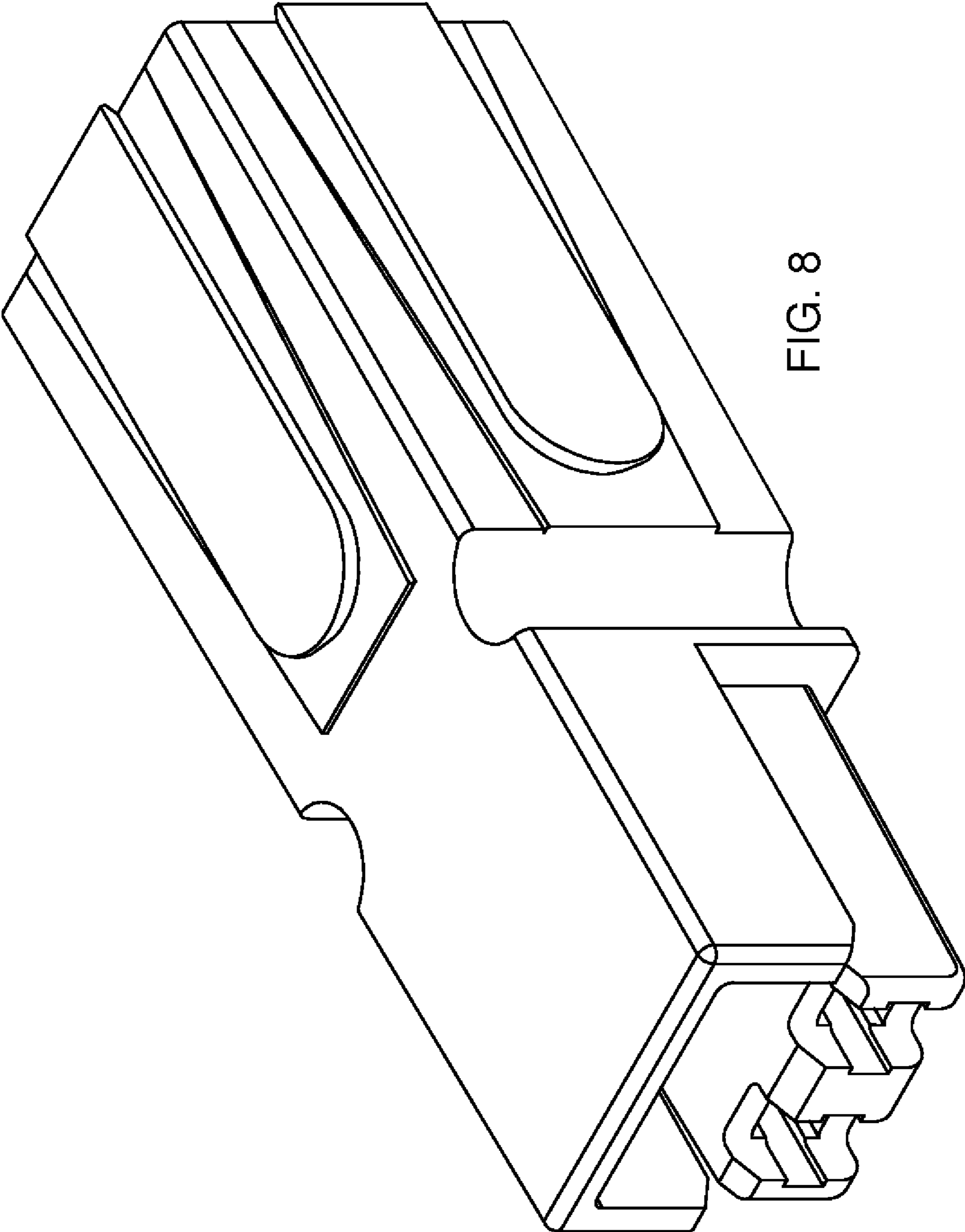


FIG. 8

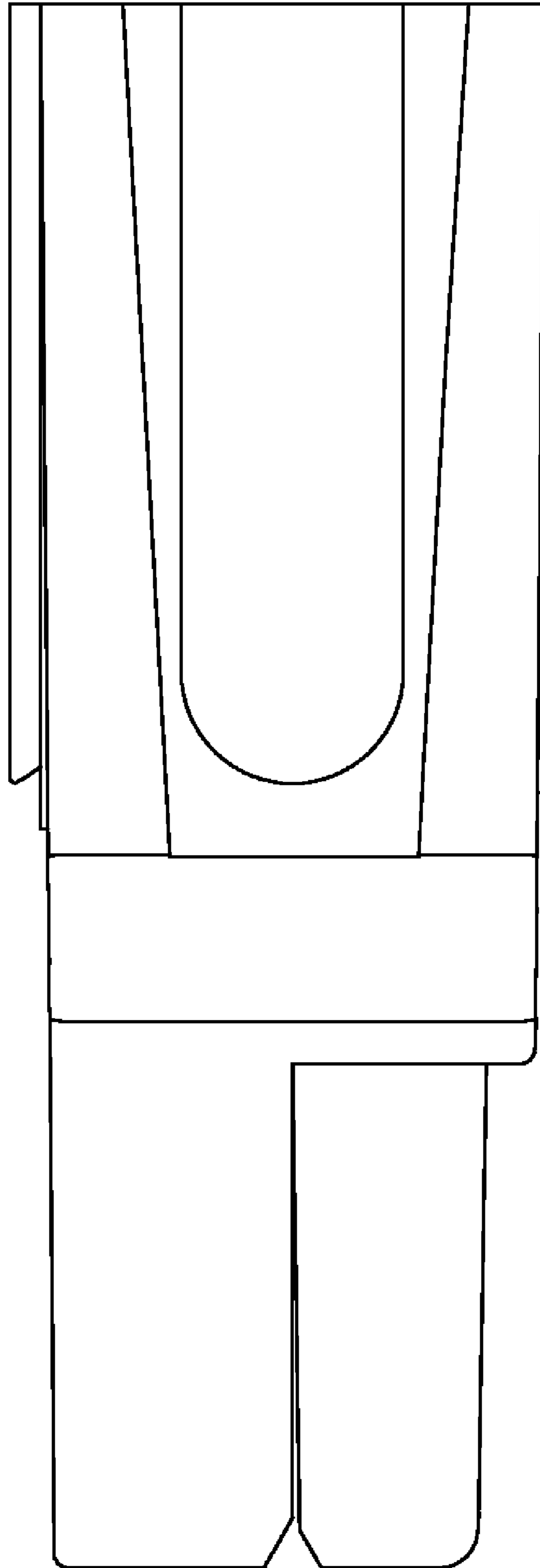


FIG. 9

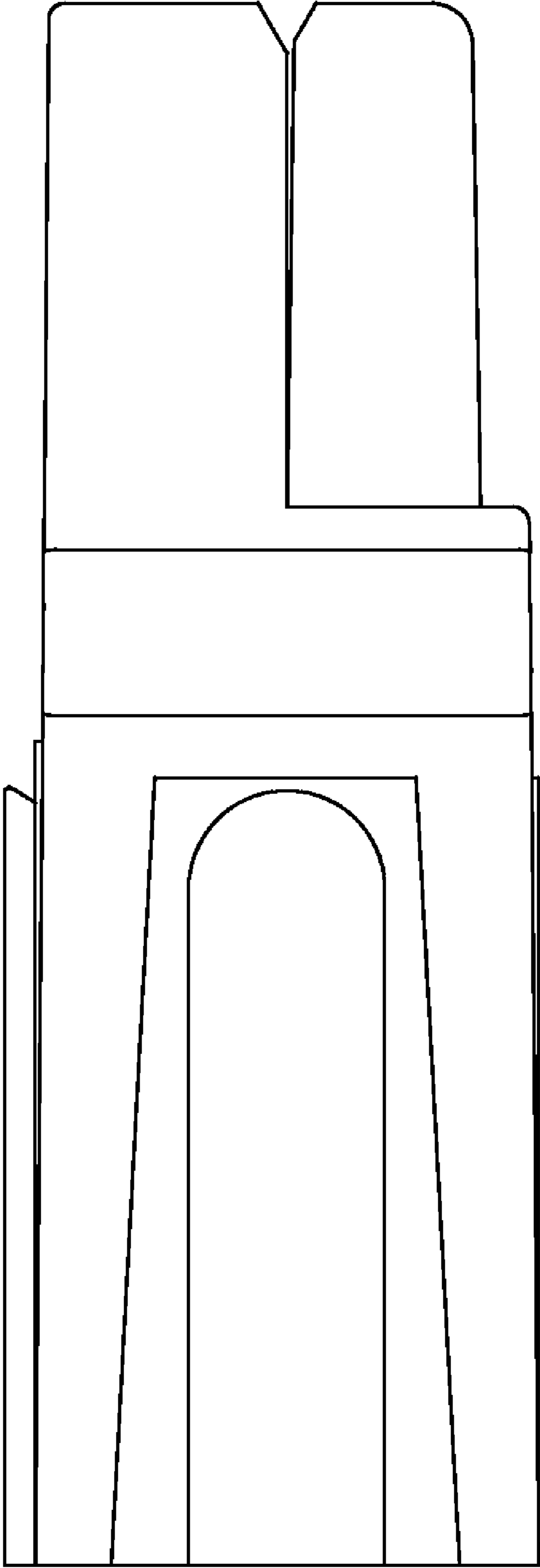


FIG. 10

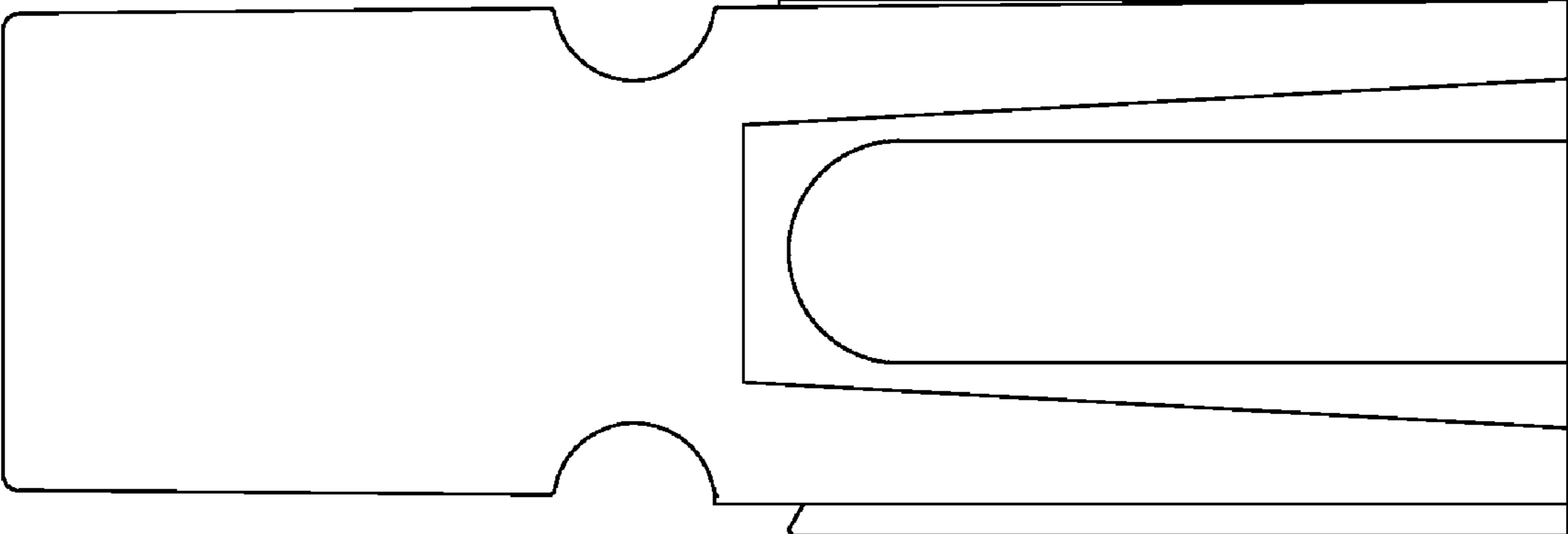


FIG. 11

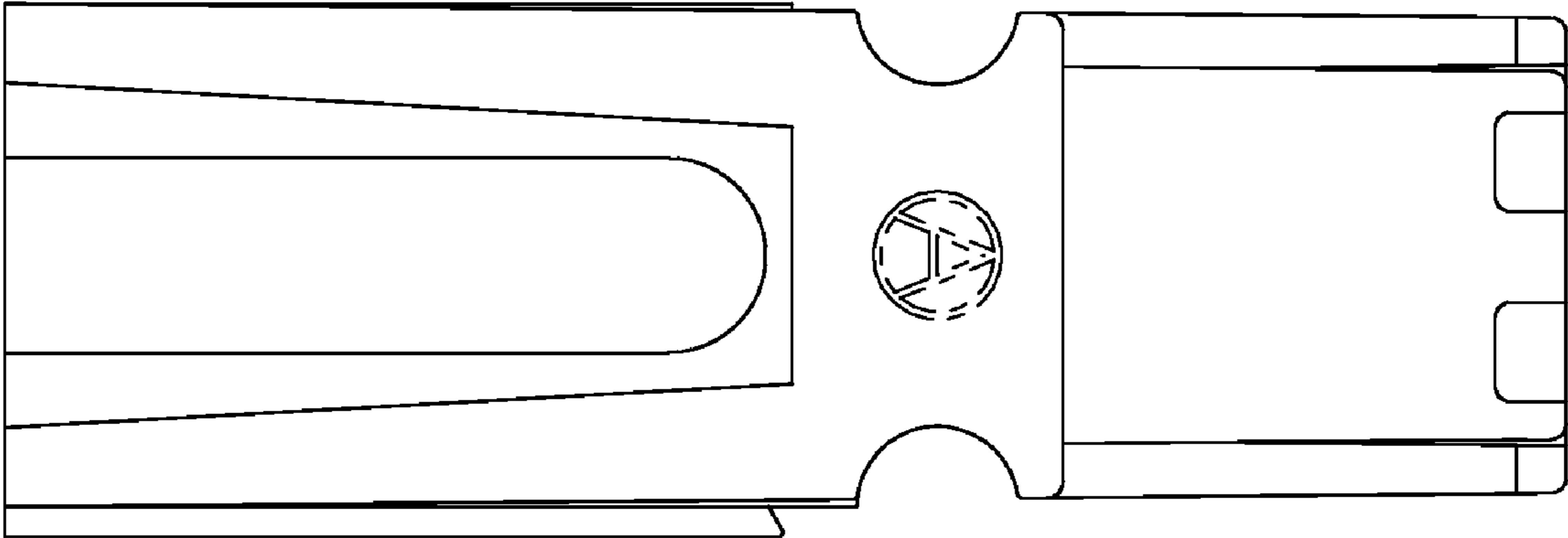


FIG. 12