



US00D604245S

(12) **United States Design Patent**
Reusche et al.

(10) **Patent No.:** **US D604,245 S**

(45) **Date of Patent:** **** Nov. 17, 2009**

(54) **CORDSET ASSEMBLY**

(75) Inventors: **Thomas K. Reusche**, Elburn, IL (US);
Philip E. Chumbley, Aurora, IL (US)

(73) Assignee: **Allied Precision Industries, Inc.**,
Elburn, IL (US)

(**) Term: **14 Years**

(21) Appl. No.: **29/305,639**

(22) Filed: **Mar. 25, 2008**

Related U.S. Application Data

(63) Continuation-in-part of application No. 12/028,257,
filed on Feb. 8, 2008.

(51) **LOC (9) Cl.** **13-03**

(52) **U.S. Cl.** **D13/137.4; D13/133**

(58) **Field of Classification Search** D13/101,
D13/107, 108, 110, 114, 118, 133, 137.1,
D13/137.4, 138.1, 138.2, 139.7, 146, 147,
D13/151, 153, 154, 184, 199; 320/110-115;
362/427, 404, 406, 804, 287; 363/146; 336/92;
439/367, 369, 650, 654; 174/114 R, 135,
174/136; D8/358, 359

See application file for complete search history.

(56) **References Cited**

U.S. PATENT DOCUMENTS

D301,335 S * 5/1989 Audrain D13/137.4

D321,503 S * 11/1991 Ditzig D13/133

D404,008 S * 1/1999 Bennet D13/137.1
6,004,148 A * 12/1999 Waible 439/140
D422,558 S * 4/2000 Reiss D13/133
D425,860 S * 5/2000 Goto D13/133
D454,841 S * 3/2002 Nakashima et al. D13/146
D460,735 S * 7/2002 Verfueth D13/137.4
D582,851 S * 12/2008 Lavy D13/133

* cited by examiner

Primary Examiner—Daniel D Bui

Assistant Examiner—Thomas J Johannes

(74) *Attorney, Agent, or Firm*—McAndrews, Held & Malloy,
Ltd.

(57) **CLAIM**

The ornamental design for the cordset assembly, as shown
and described.

DESCRIPTION

FIG. 1 illustrates a top isometric view of a cordset assembly,
according to our new design.

FIG. 2 illustrates a bottom view thereof.

FIG. 3 illustrates a lateral view thereof.

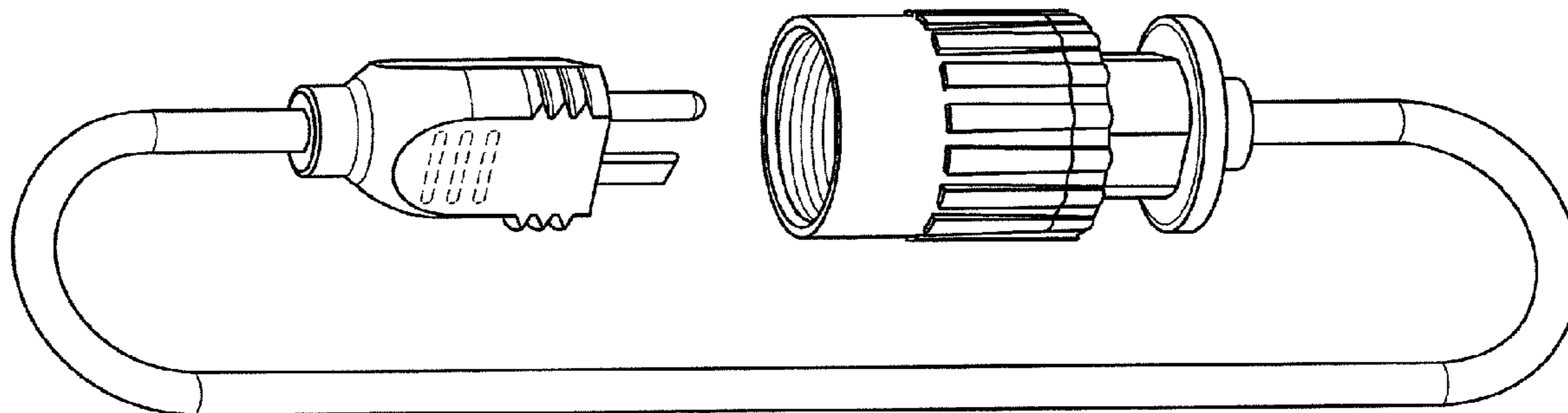
FIG. 4 illustrates a plug end thereof; and,

FIG. 5 illustrates a receptacle end thereof.

The features shown and described also encompass mirror
images that are not necessarily shown and described.

The broken line portions of the Figures are included to show
unclaimed subject matter only and formed no part of the
claimed design.

1 Claim, 2 Drawing Sheets



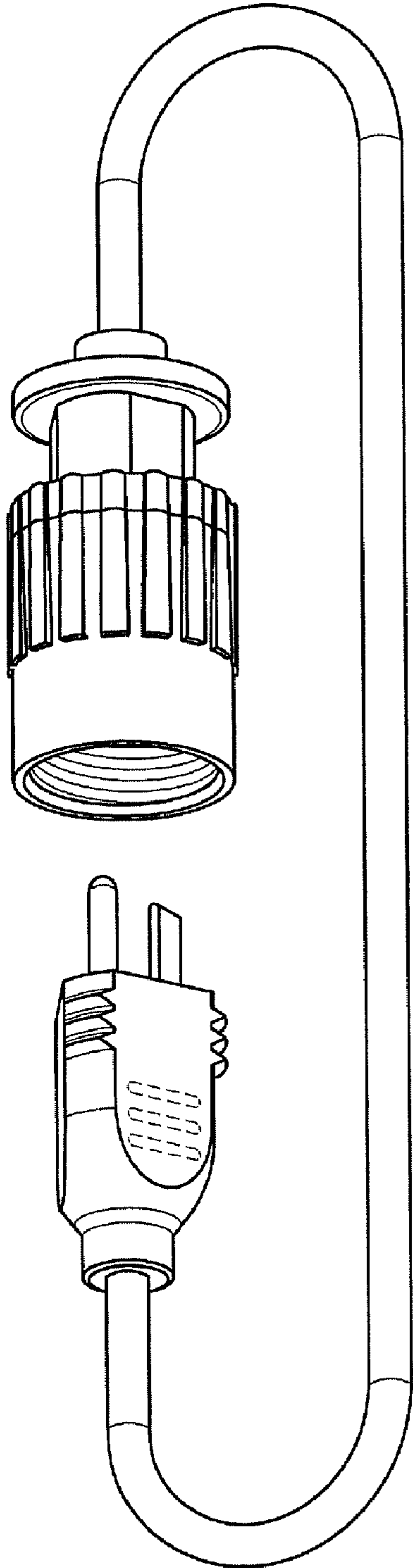


FIG. 1

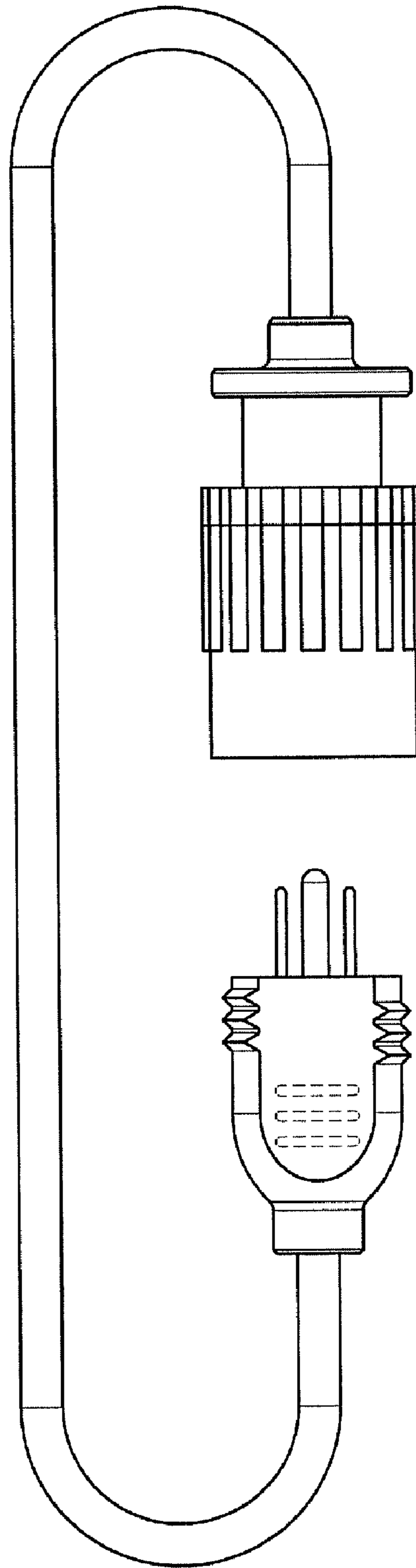


FIG. 2

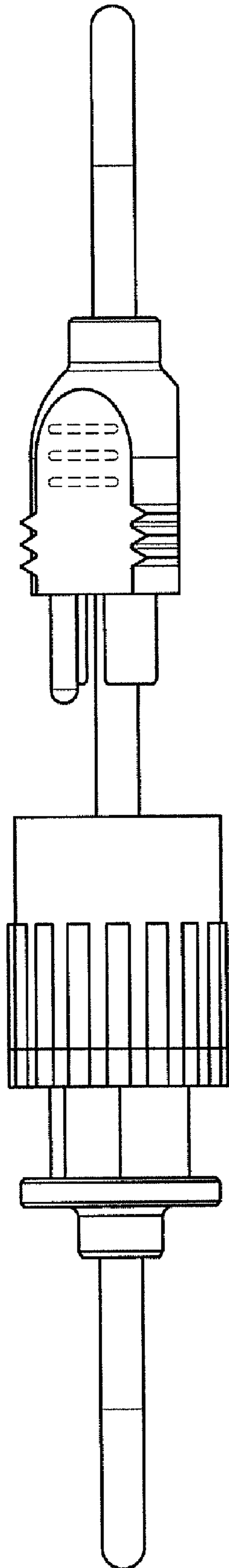


FIG. 3

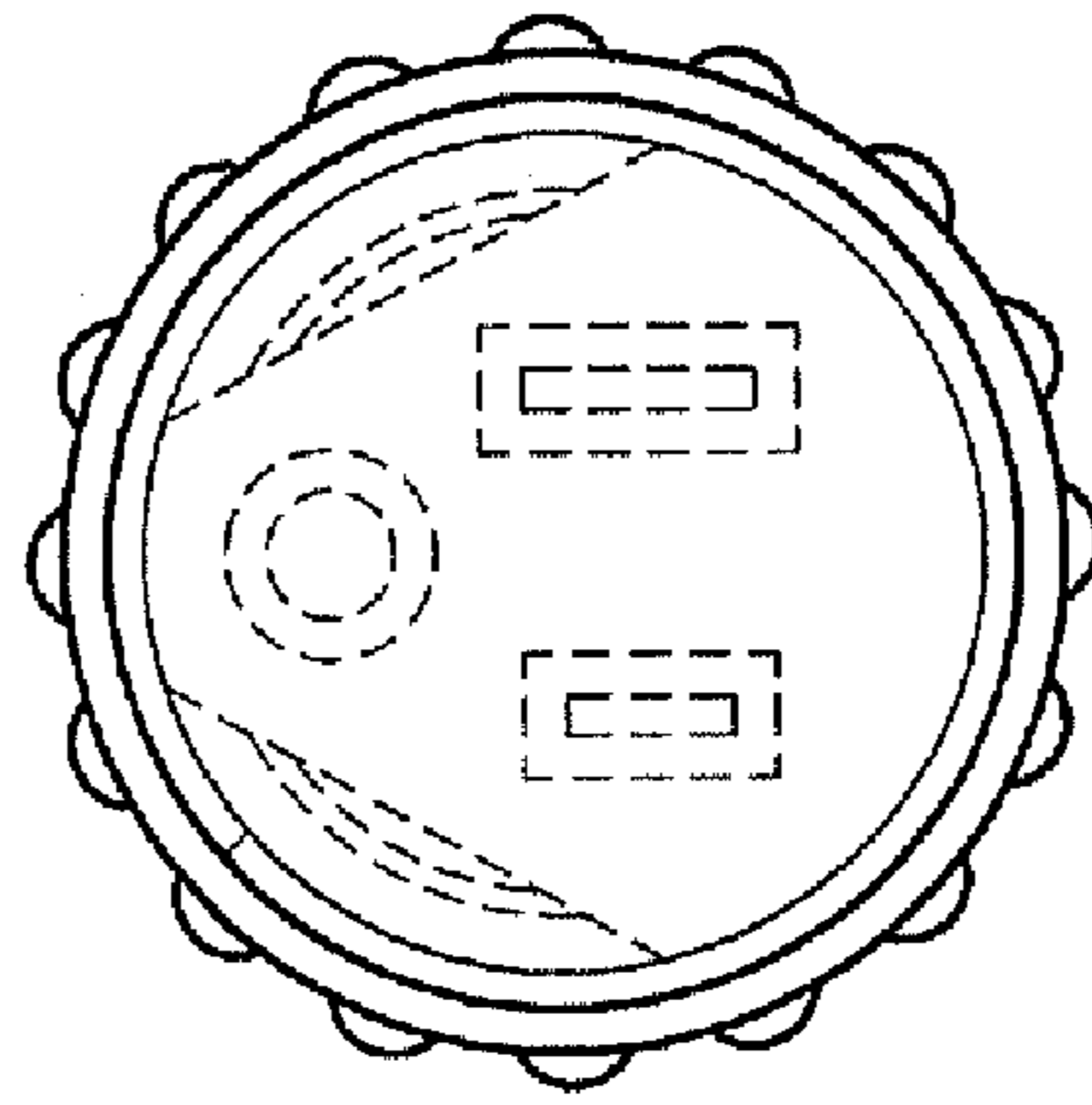


FIG. 5

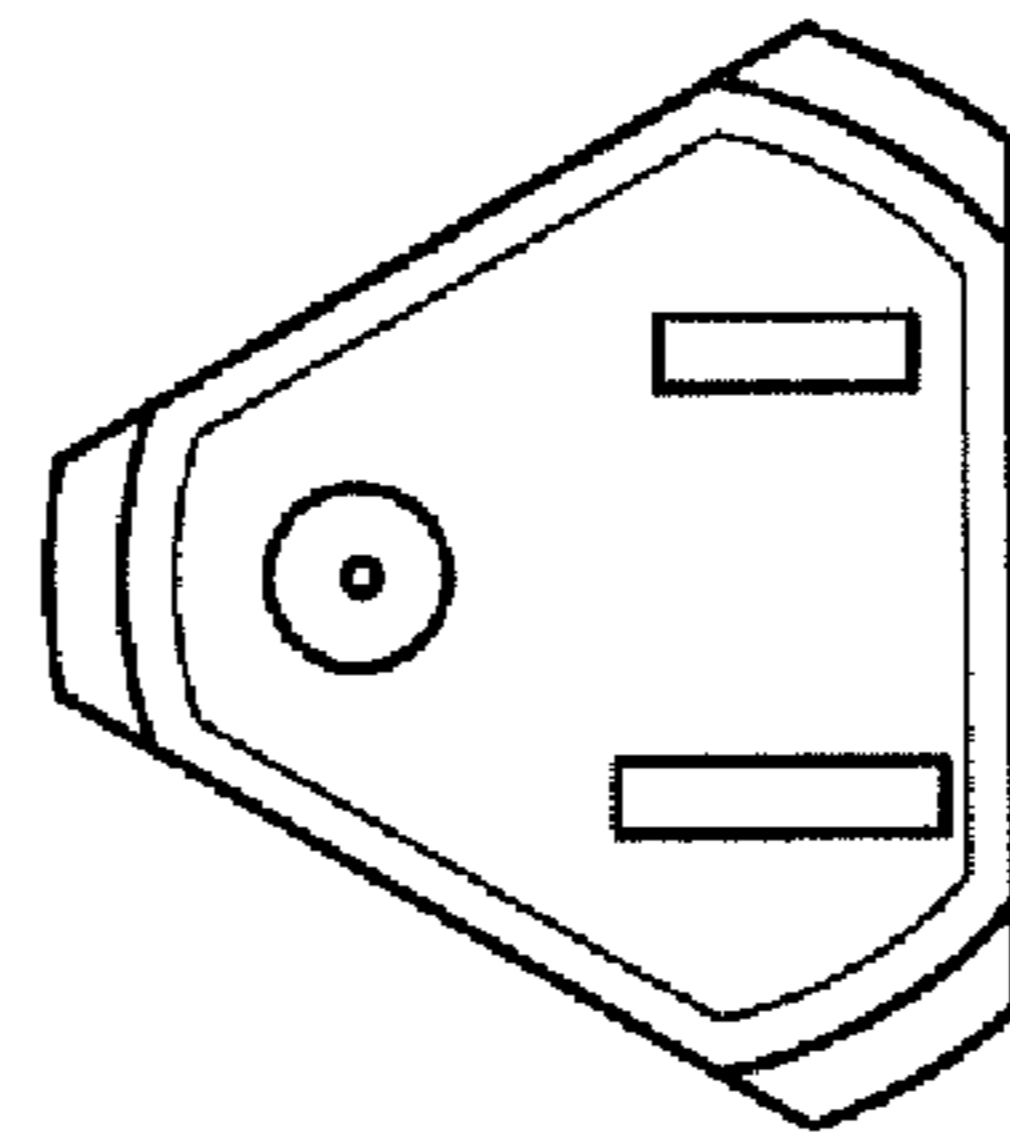


FIG. 4