



US00D604243S

(12) **United States Design Patent**  
**Thörner**

(10) **Patent No.:** **US D604,243 S**

(45) **Date of Patent:** **\*\* Nov. 17, 2009**

(54) **ELECTRIC PLUG CONNECTOR**

2008/0096420 A1\* 4/2008 Zeng ..... 439/582

(76) Inventor: **Wolfgang B. Thörner**, Im Teelbruch  
103, D-45219 Essen (DE)

\* cited by examiner

(\*\*) Term: **14 Years**

*Primary Examiner*—Daniel D Bui  
*Assistant Examiner*—Thomas J Johannes  
(74) *Attorney, Agent, or Firm*—Collard & Roe, P.C.

(21) Appl. No.: **29/308,521**

(22) Filed: **Jun. 20, 2008**

(57) **CLAIM**

(30) **Foreign Application Priority Data**

The ornamental design for an electric plug connector, as shown and described.

Dec. 21, 2007 (DE) ..... 407 06 310

**DESCRIPTION**

(51) **LOC (9) Cl.** ..... **13-03**

(52) **U.S. Cl.** ..... **D13/133**

(58) **Field of Classification Search** ..... D13/133,  
D13/146, 147, 151, 154, 184, 199; 439/63,  
439/350, 581, 582, 585, 732, 842, 852, 854–857  
See application file for complete search history.

FIG. 1 shows a side view of my design for an electric plug connector;

FIG. 2 shows a front view thereof;

FIG. 3 shows an opposite side view thereof;

FIG. 4 shows a rear view thereof;

FIG. 5 shows a top view thereof;

FIG. 6 shows a bottom view thereof; and,

FIG. 7 shows a side and front perspective view thereof.

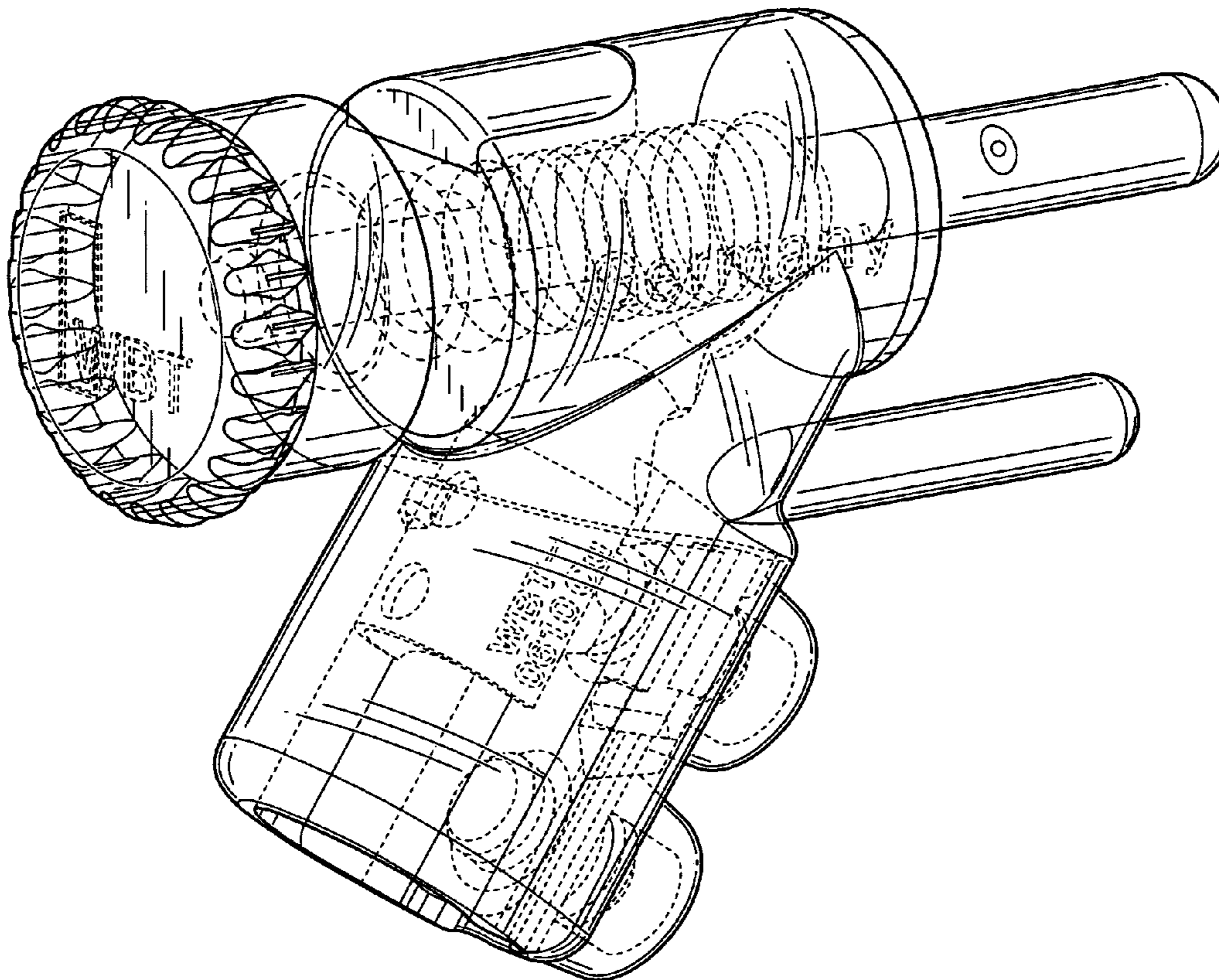
(56) **References Cited**

The broken line portion of the figure drawings is included to show unclaimed subject matter and forms no part of the claimed design.

**U.S. PATENT DOCUMENTS**

D314,943 S *	2/1991	Tajima	.....	D13/147
D373,110 S *	8/1996	Fukao et al.	.....	D13/146
D392,618 S *	3/1998	Fukao et al.	.....	D13/146
7,285,011 B2 *	10/2007	Hardy et al.	.....	439/582
D576,550 S *	9/2008	Chen et al.	.....	D13/133
2002/0177358 A1 *	11/2002	Baffert	.....	439/582

**1 Claim, 6 Drawing Sheets**



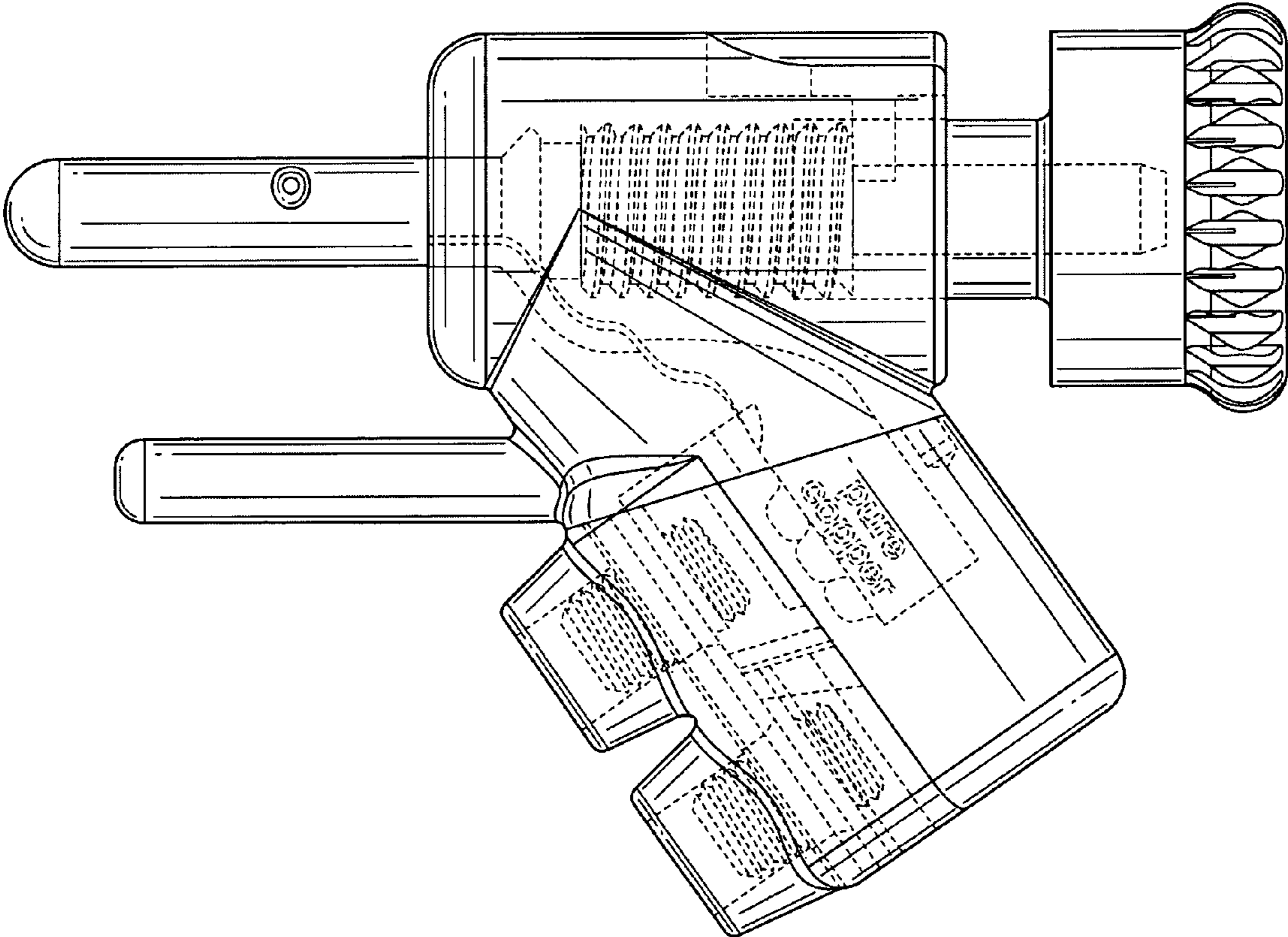


FIG. 1

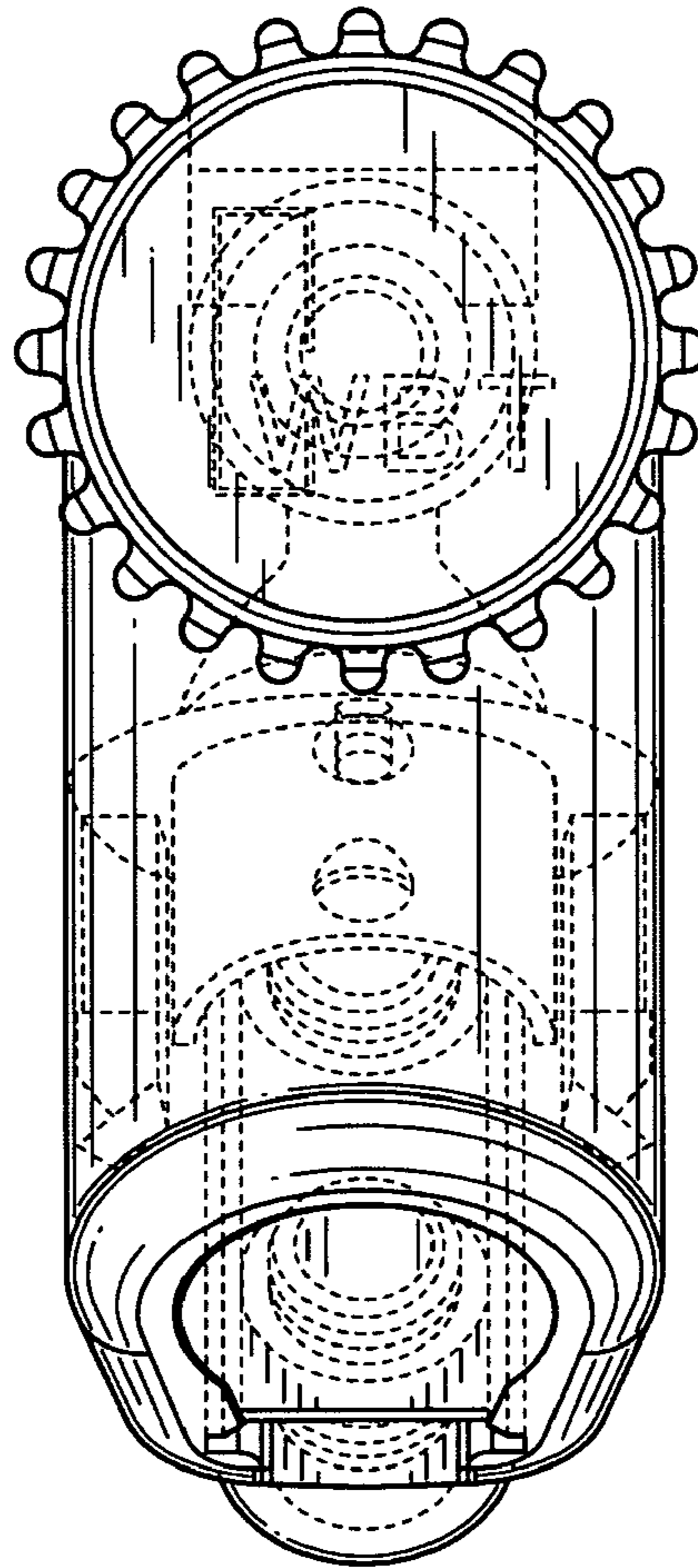


FIG. 2



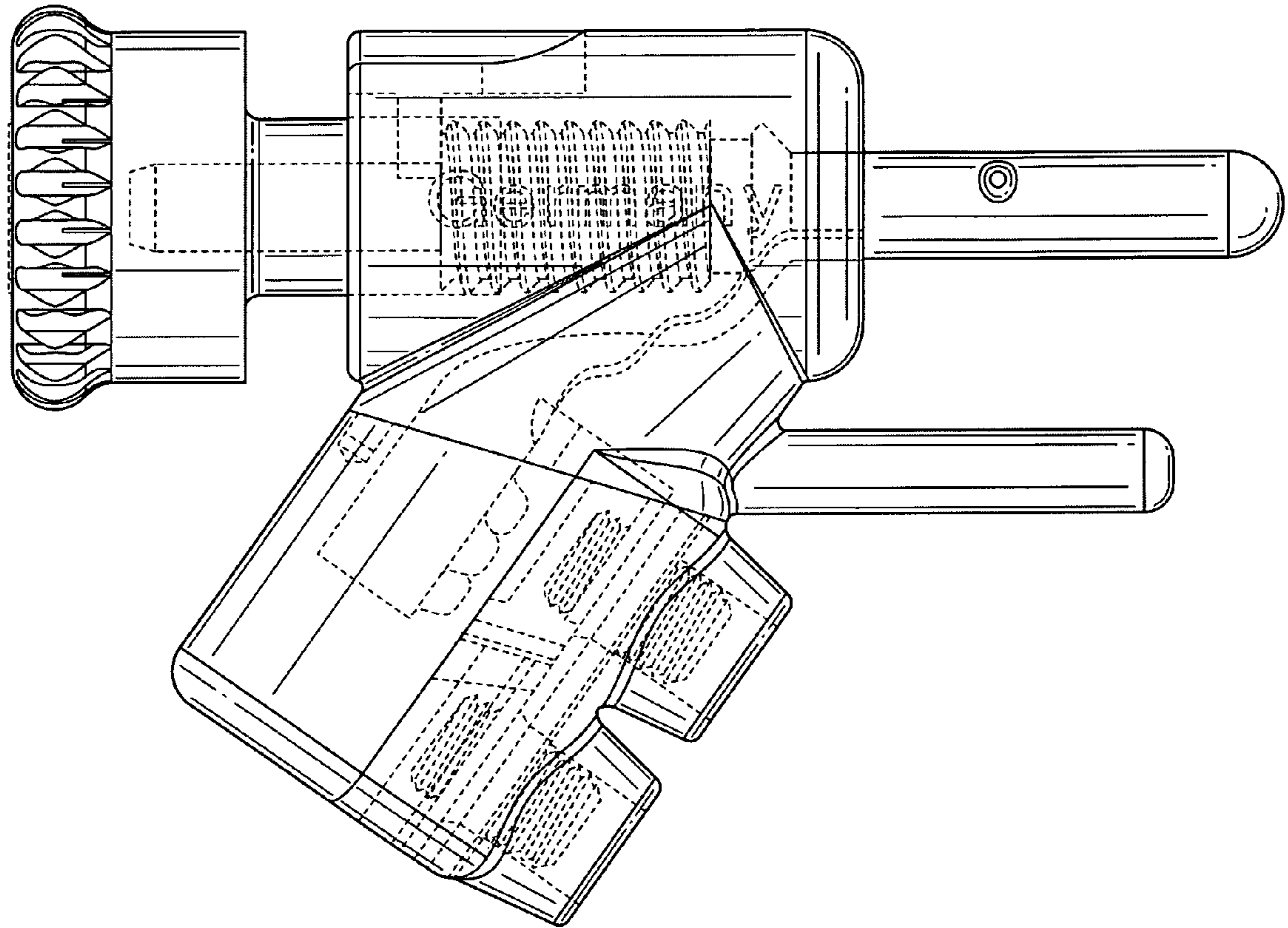


FIG. 3

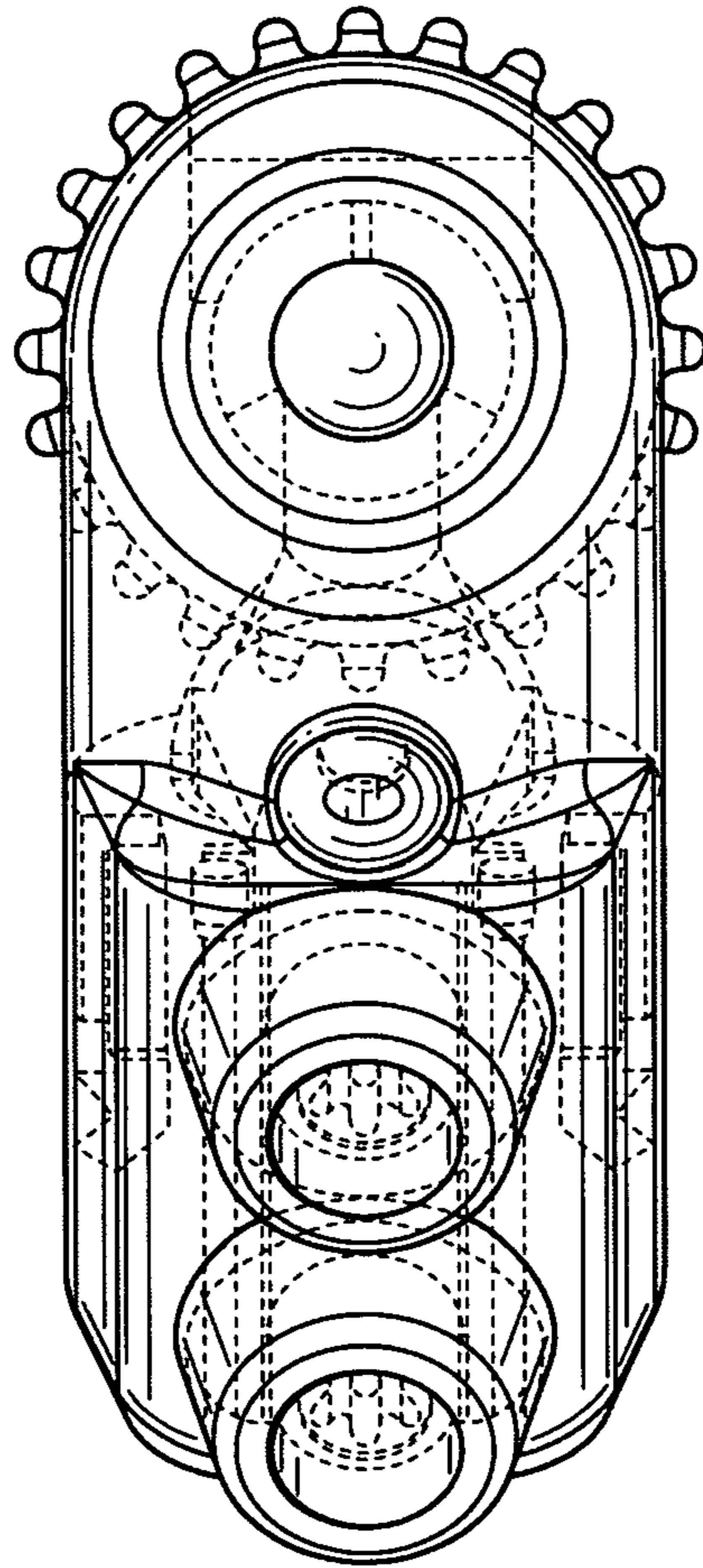


FIG. 4

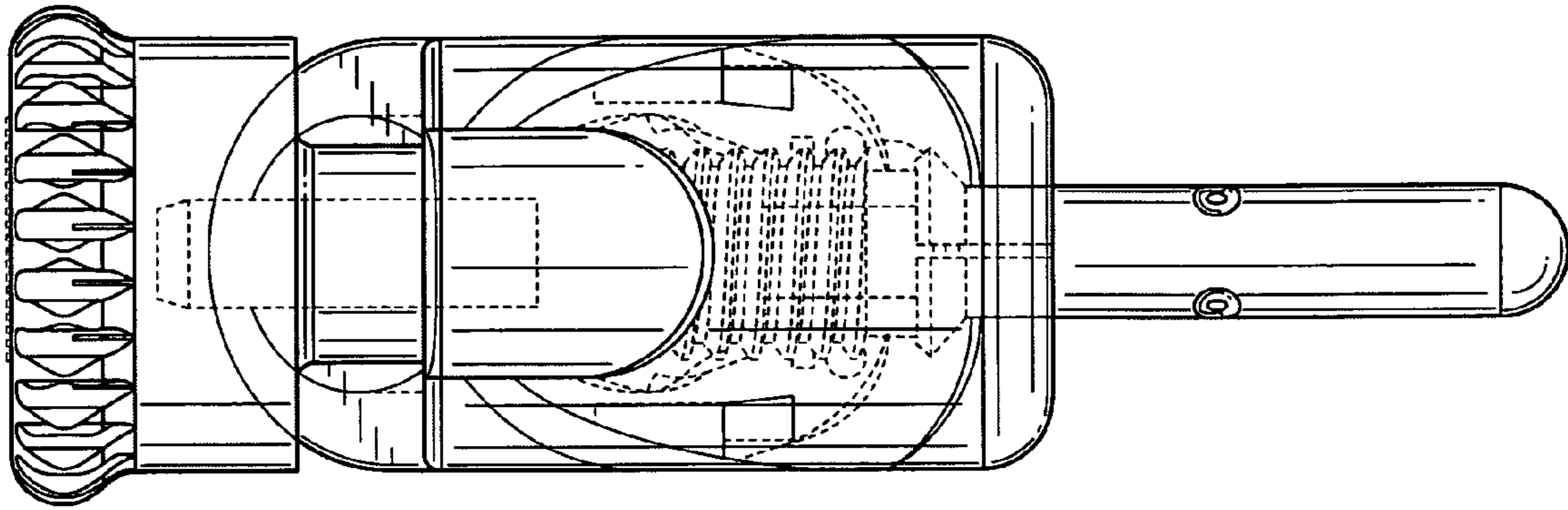


FIG. 5

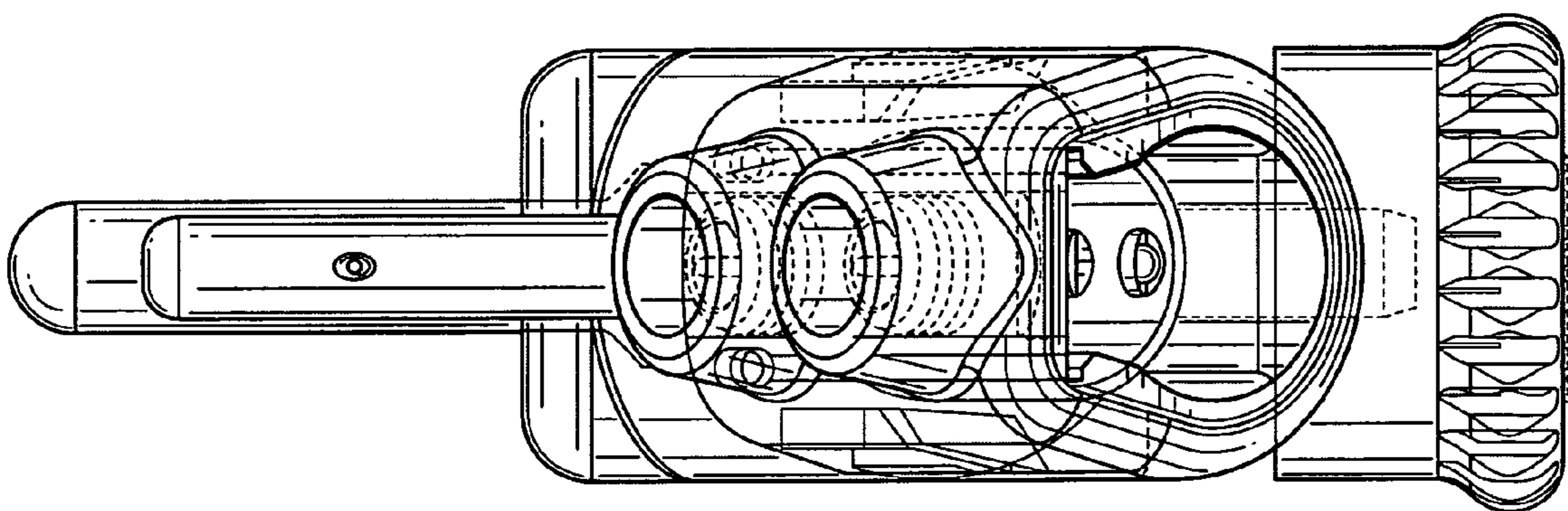


FIG. 6

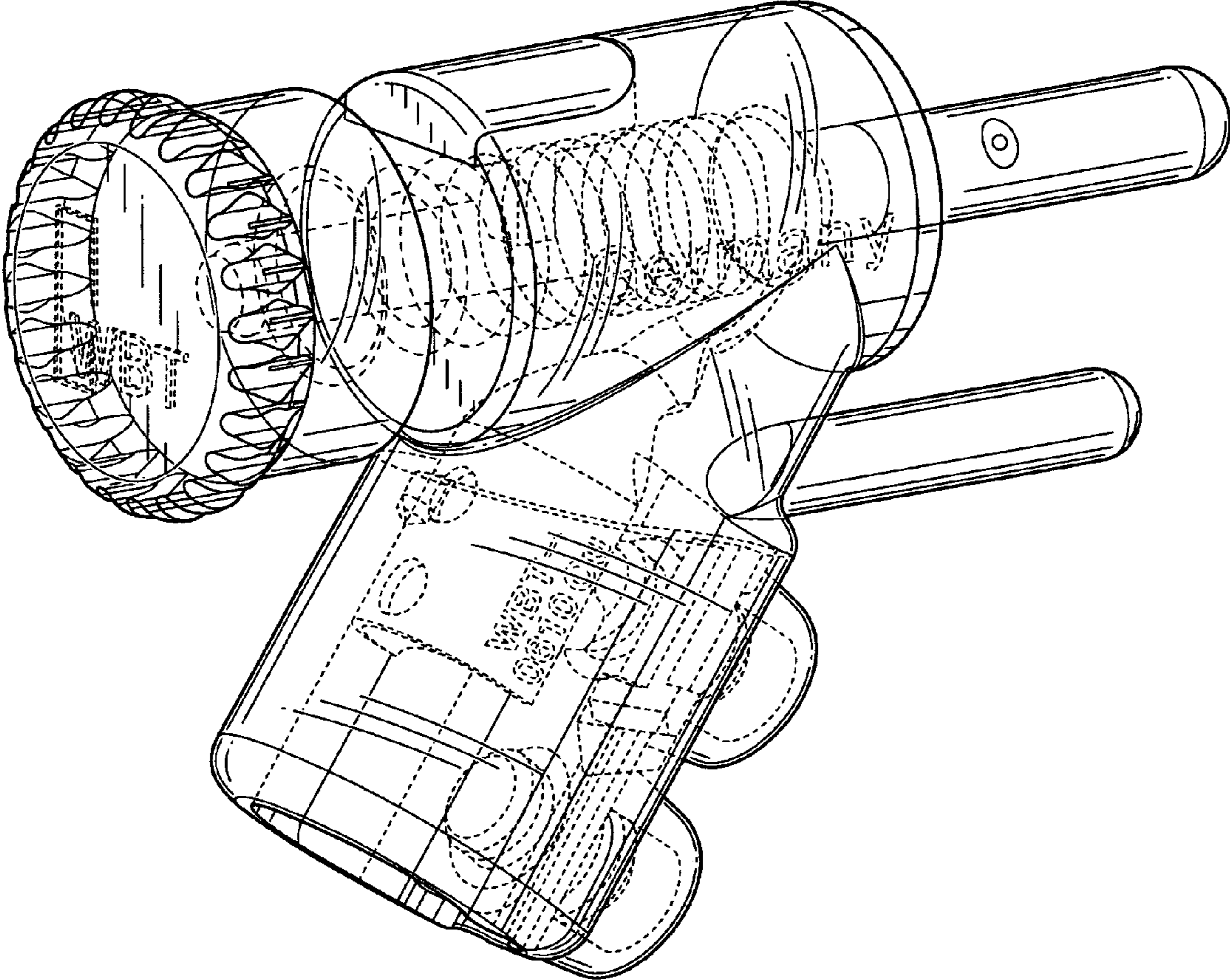


FIG. 7