



US00D604242S

(12) **United States Design Patent**
Kiely

(10) **Patent No.:** **US D604,242 S**

(45) **Date of Patent:** **** Nov. 17, 2009**

(54) **ELECTRICAL CONNECTOR**

(75) Inventor: **Kenneth M. Kiely**, Milford, CT (US)

(73) Assignee: **Bridgeport Fittings, Inc.**, Stratford, CT (US)

(**) Term: **14 Years**

(21) Appl. No.: **29/292,388**

(22) Filed: **Oct. 10, 2007**

(51) **LOC (9) Cl.** **13-03**

(52) **U.S. Cl.** **D13/133**

(58) **Field of Classification Search** D13/133,
D13/149, 151, 154, 155; 439/536, 583, 784,
439/797, 800; 174/59, 60, 85, 93, 262, 266;
D8/396; 285/128, 138, 139, 158, 159, 161,
285/205, 206, 369, 404, 907

See application file for complete search history.

(56) **References Cited**

U.S. PATENT DOCUMENTS

D339,792	S *	9/1993	Nardi et al.	D13/149
5,456,499	A *	10/1995	Sharpe	285/39
6,114,631	A *	9/2000	Gretz	174/651
D443,863	S *	6/2001	Maccarone et al.	D13/155
D517,665	S *	3/2006	Wilk et al.	D23/262
D523,123	S *	6/2006	Wilk et al.	D23/262
7,214,890	B2 *	5/2007	Kiely et al.	174/666

D549,661	S *	8/2007	Hull et al.	D13/151
7,394,021	B2 *	7/2008	Magno, Jr.	174/59
2008/0006434	A1 *	1/2008	Nygaard et al.	174/93

* cited by examiner

Primary Examiner—Daniel D Bui

Assistant Examiner—Thomas J Johannes

(74) *Attorney, Agent, or Firm*—Melvin I. Stoltz

(57) **CLAIM**

The ornamental design for an electrical connector, as shown and described.

DESCRIPTION

FIG. 1 is a perspective view of the electrical connector of my design;

FIG. 2 is a front elevational view thereof;

FIG. 3 is a rear elevational view thereof;

FIG. 4 is a side elevational view thereof; the opposite side being a mirror image thereof;

FIG. 5 is a top plan view thereof; and,

FIG. 6 is a bottom plan view thereof.

The broken line portion of the figure drawings is included to show unclaimed subject matter only and forms no part of the claimed design.

1 Claim, 2 Drawing Sheets

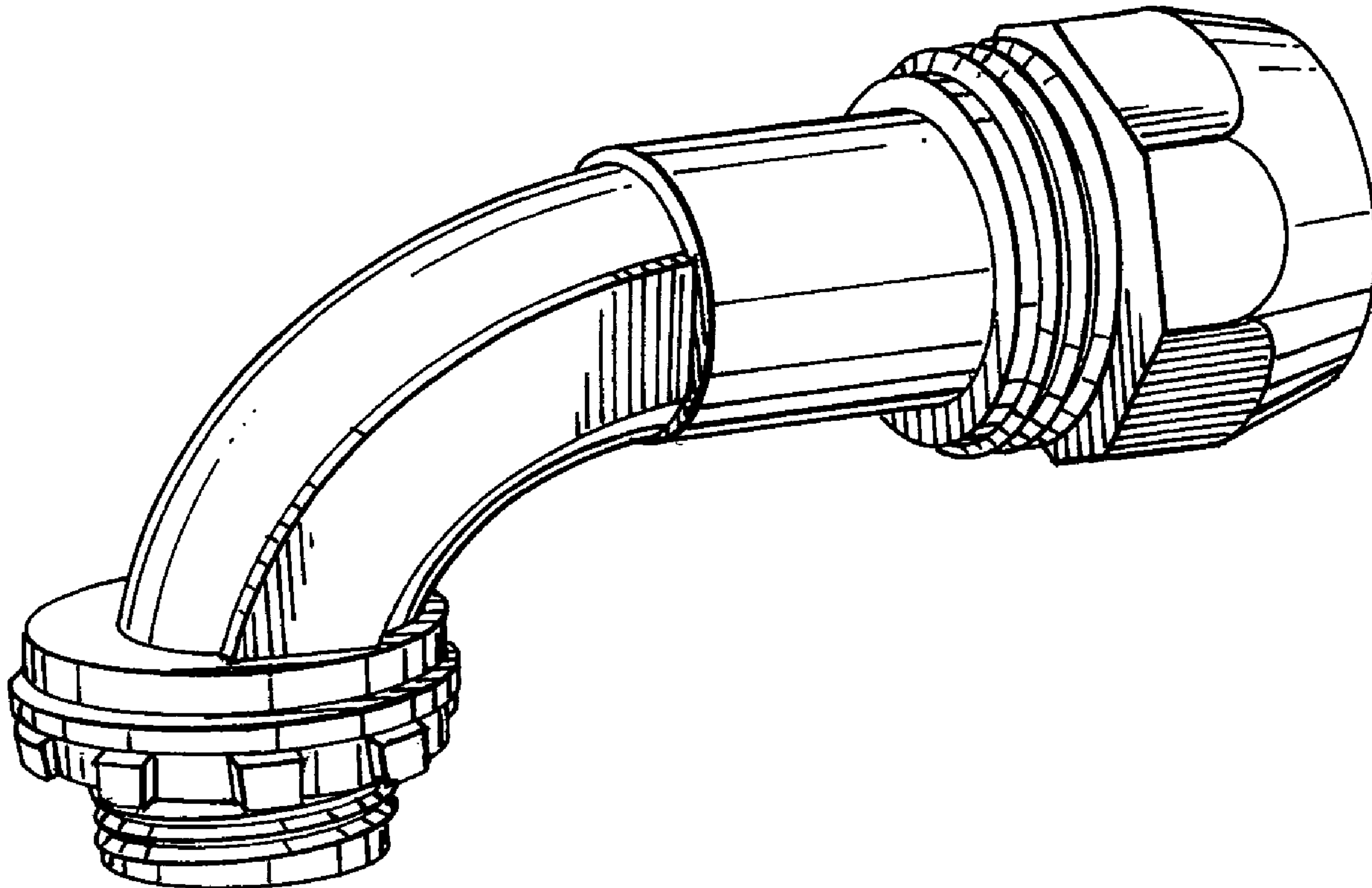


FIG. 1

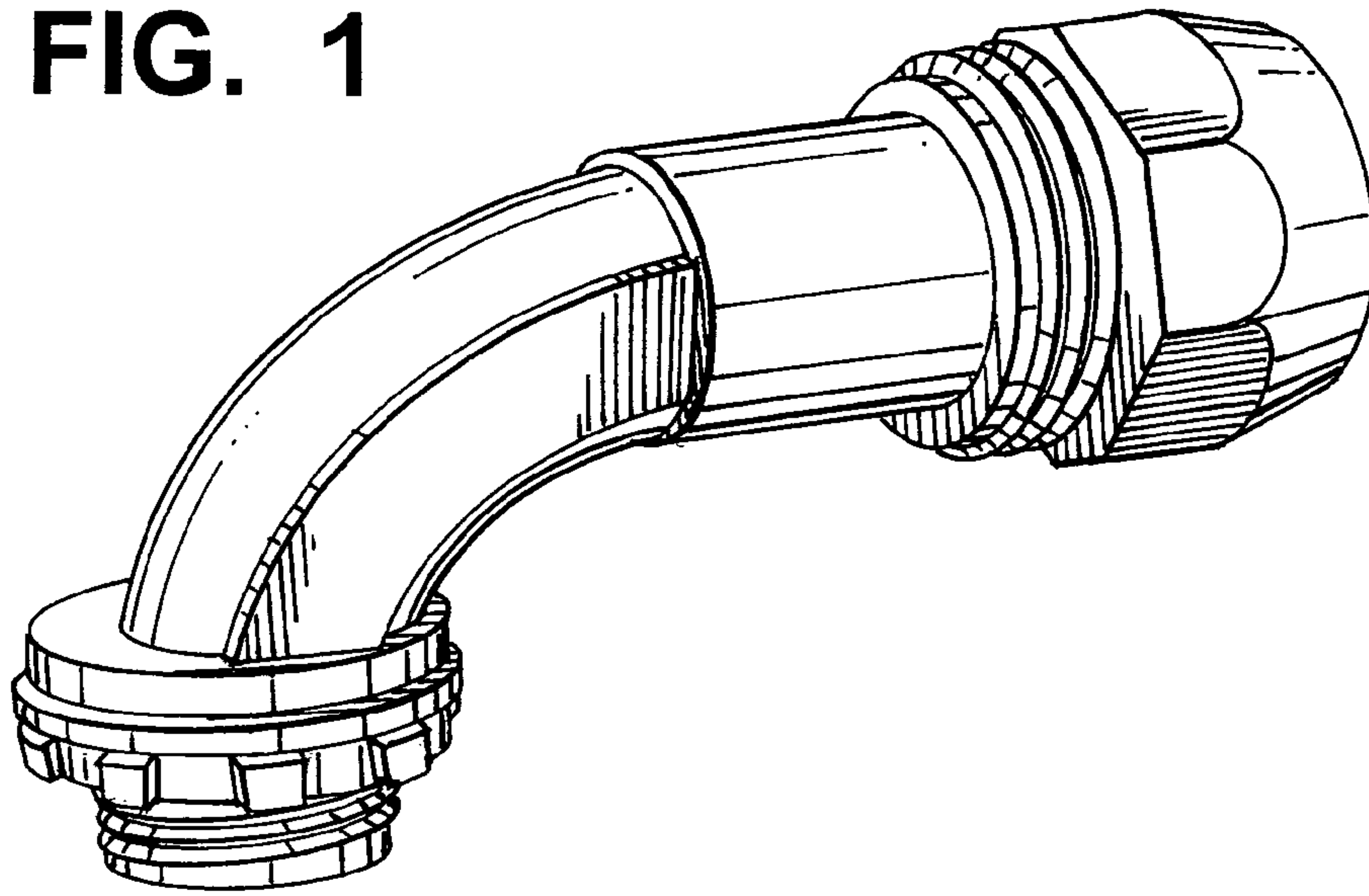


FIG. 2

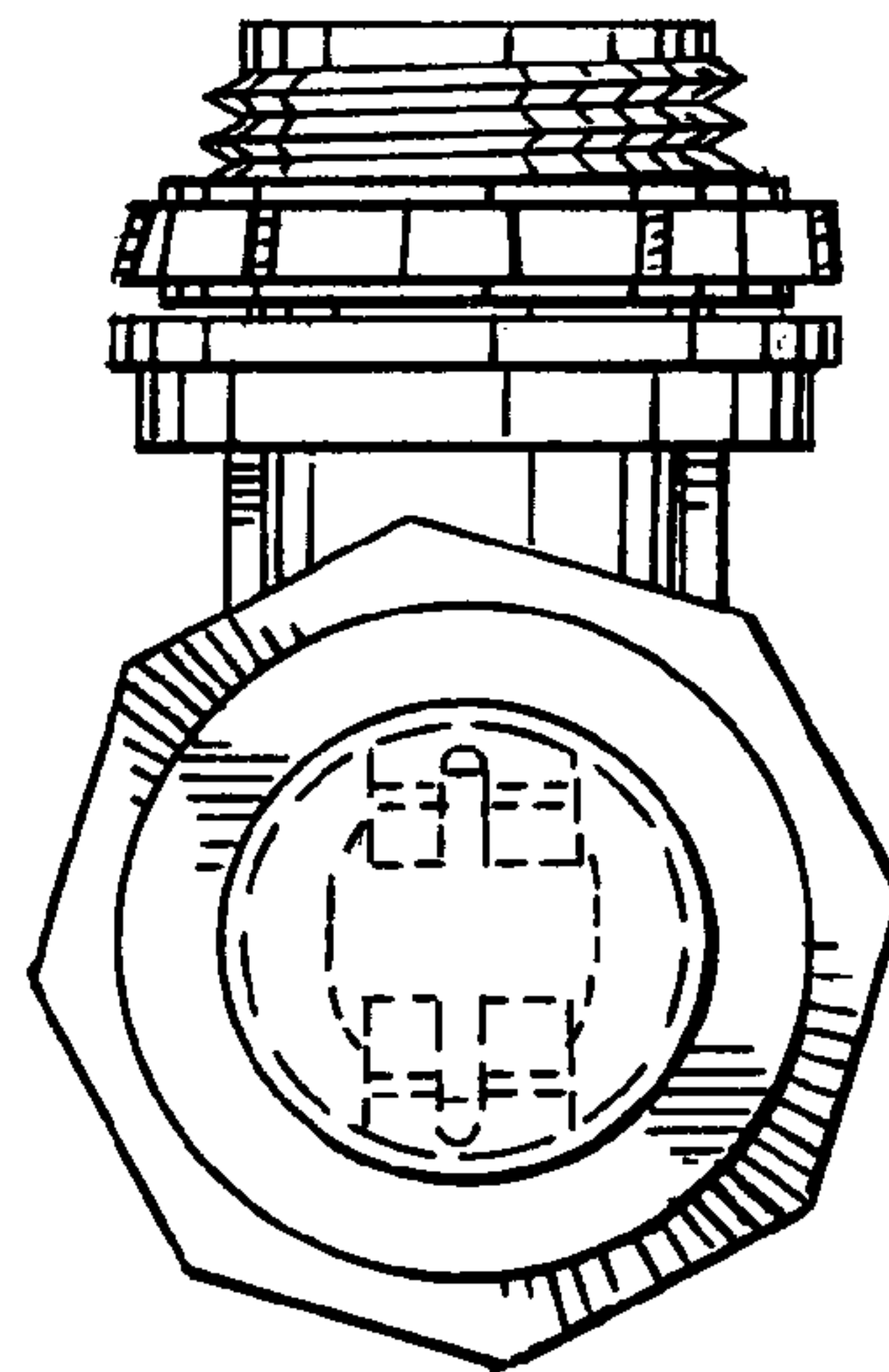


FIG. 3

