



US00D604239S

(12) **United States Design Patent**
Engel et al.

(10) **Patent No.:** **US D604,239 S**

(45) **Date of Patent:** **** Nov. 17, 2009**

(54) **INVERTER**

(75) Inventors: **Bernd Engel**, Wolfenbüttel (DE);
Andreas Donth, Edermündel (DE)

(73) Assignee: **SMA Solar Technology AG**, Niestetal
(DE)

(**) Term: **14 Years**

(21) Appl. No.: **29/312,797**

(22) Filed: **Nov. 12, 2008**

(51) **LOC (9) Cl.** **13-02**

(52) **U.S. Cl.** **D13/110**

(58) **Field of Classification Search** D13/110,
D13/123, 184, 199; 337/186; 361/600, 601,
361/730; 363/141, 142

See application file for complete search history.

(56) **References Cited**

U.S. PATENT DOCUMENTS

- 4,872,102 A * 10/1989 Getter 363/141
- 5,170,336 A * 12/1992 Getter et al. 363/141
- D349,682 S * 8/1994 Hunziker D13/110
- D413,567 S * 9/1999 Person et al. D13/110
- D427,146 S * 6/2000 Wei D13/110
- D427,148 S * 6/2000 Wei D13/110

- D436,918 S * 1/2001 Matsuda D13/110
- D483,725 S * 12/2003 Thompson et al. D13/184
- D496,629 S * 9/2004 Hriscu et al. D13/110
- D507,528 S * 7/2005 Feldman et al. D13/110
- D526,614 S * 8/2006 Kajiura D13/110

* cited by examiner

Primary Examiner—Prabhakar Deshmukh

Assistant Examiner—Derrick Holland

(74) *Attorney, Agent, or Firm*—Thomas A. Vigil

(57) **CLAIM**

The ornamental design for an inverter, as shown and described.

DESCRIPTION

FIG. 1 is a perspective view of an inverter showing our new design;

FIG. 2 is a top plan view thereof;

FIG. 3 is a left side view thereof;

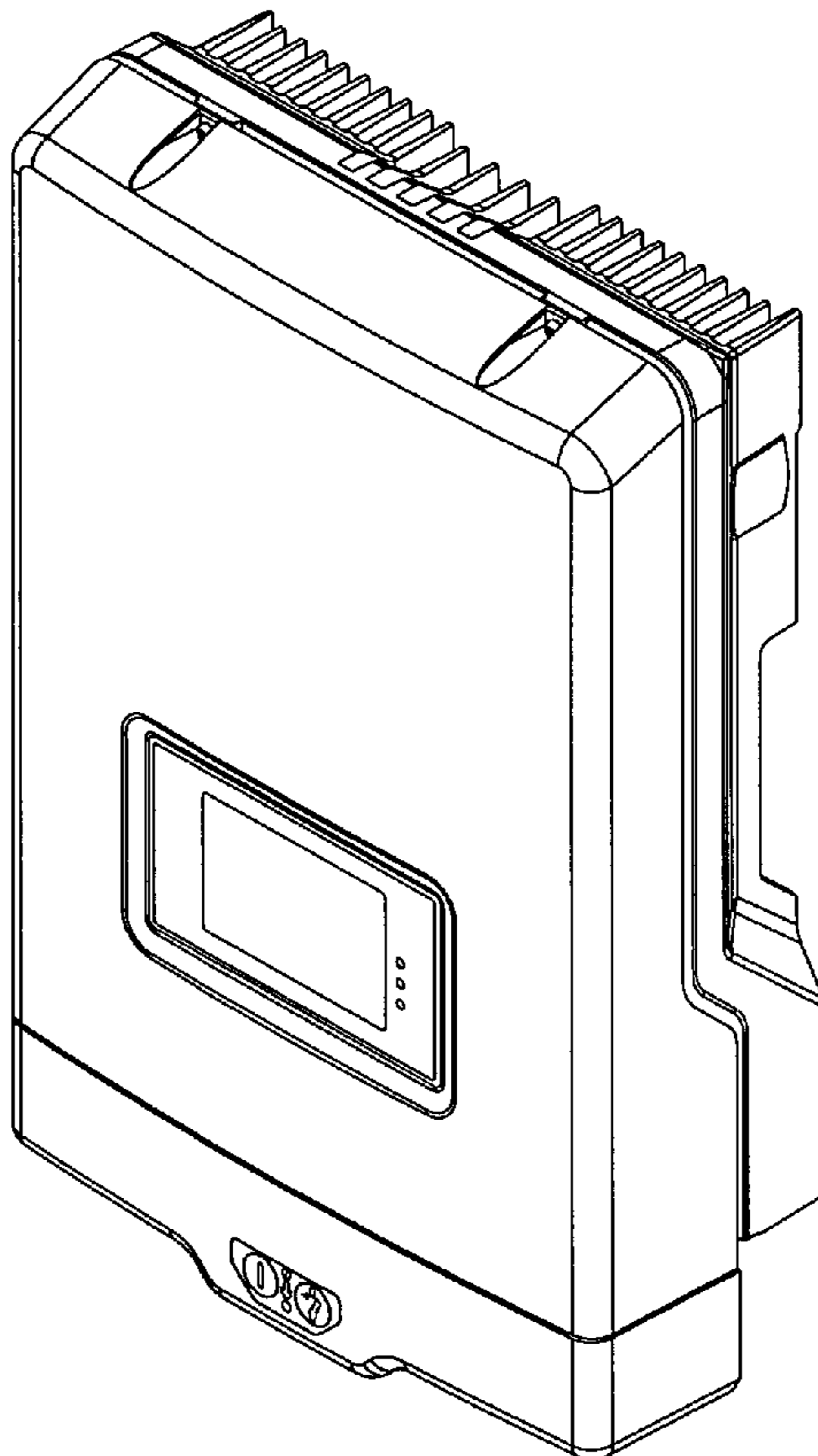
FIG. 4 is a bottom plan view thereof;

FIG. 5 is a front elevation view thereof; and,

FIG. 6 is a rear elevation view thereof.

The broken lines shown represent unclaimed subject matter and form no part of the claimed design.

1 Claim, 6 Drawing Sheets



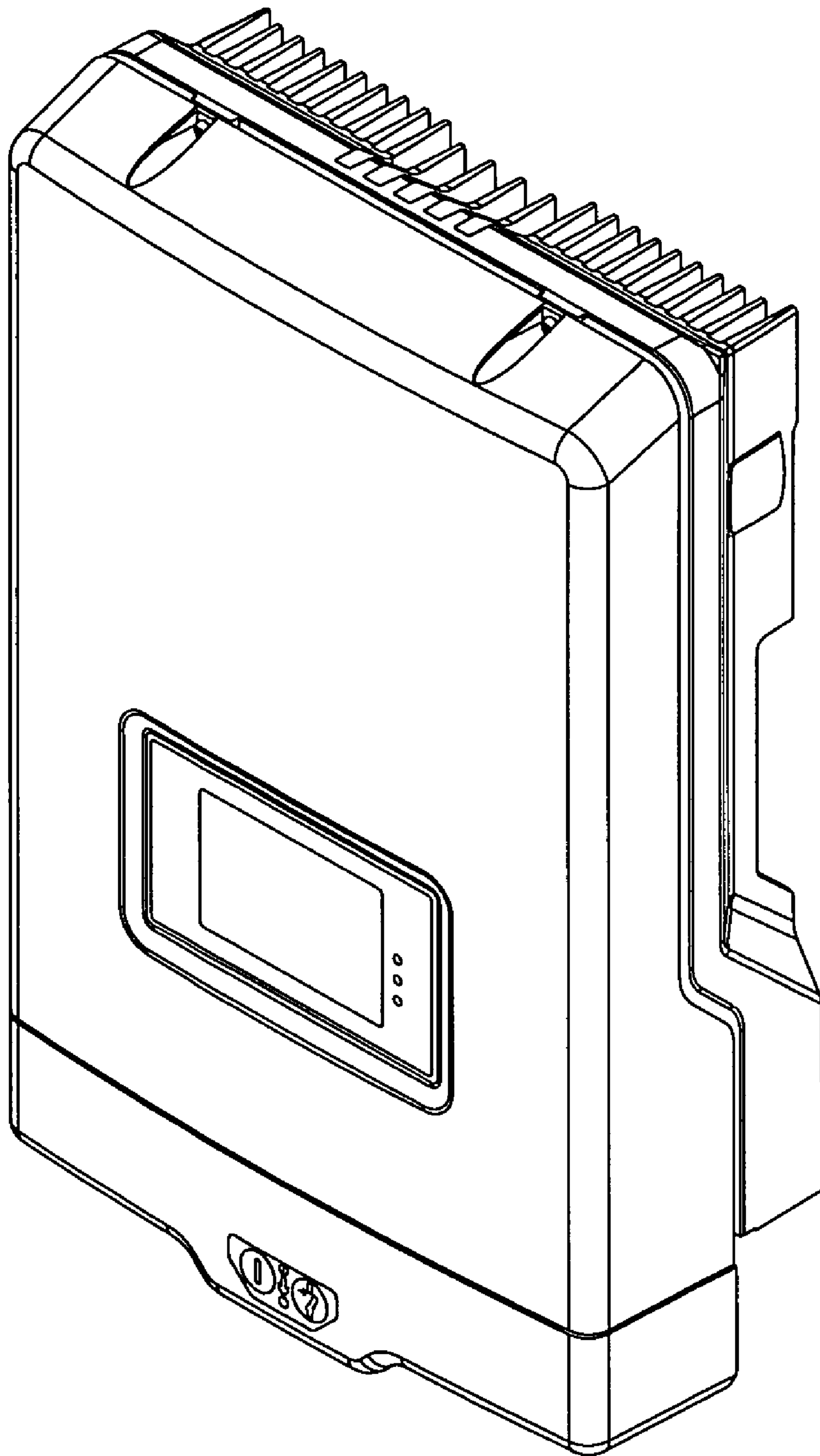


FIG. 1

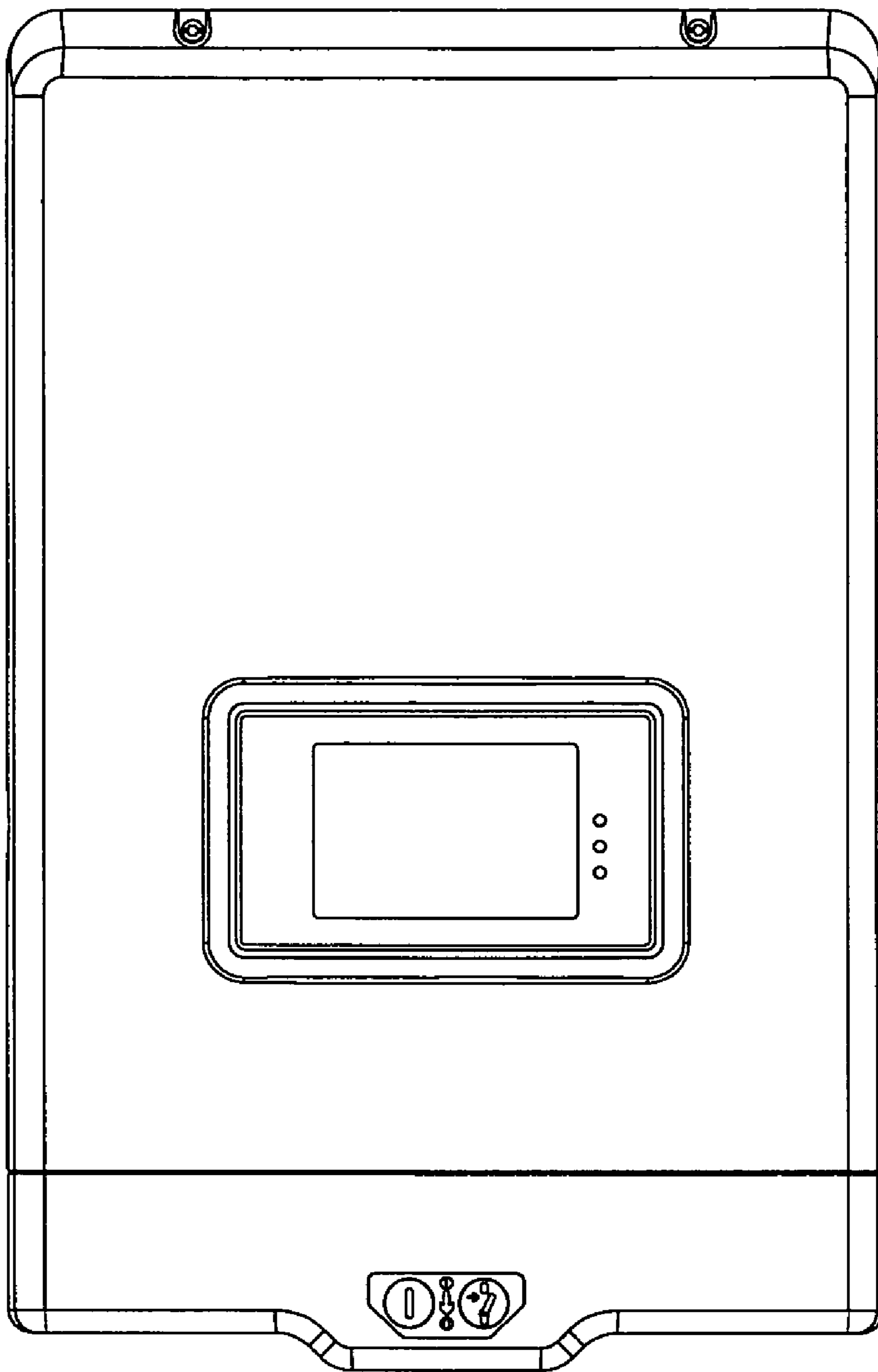


FIG. 2

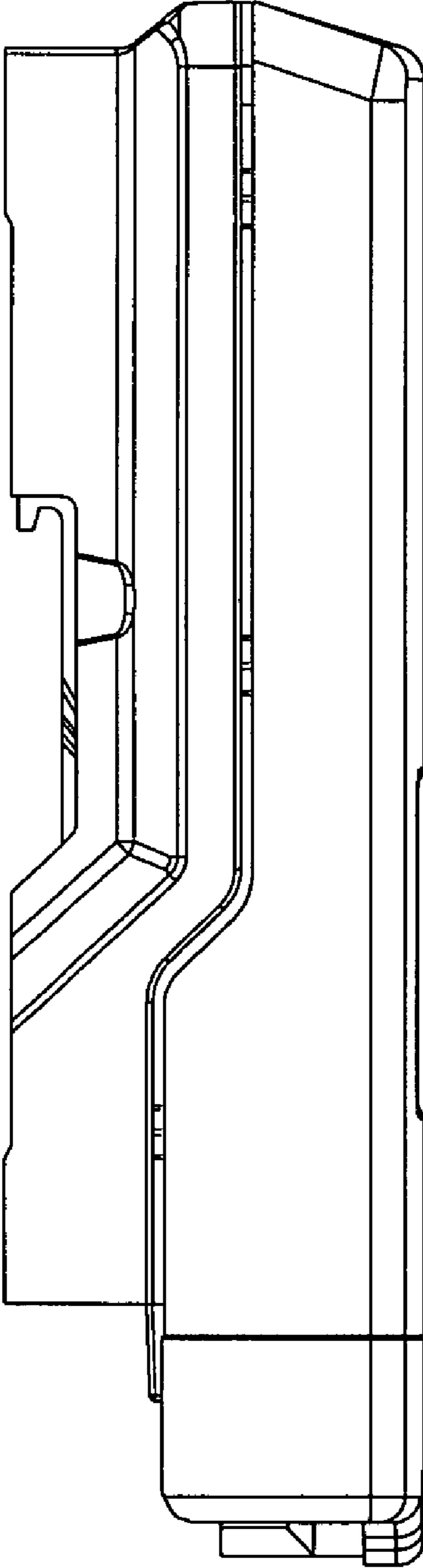


FIG. 3

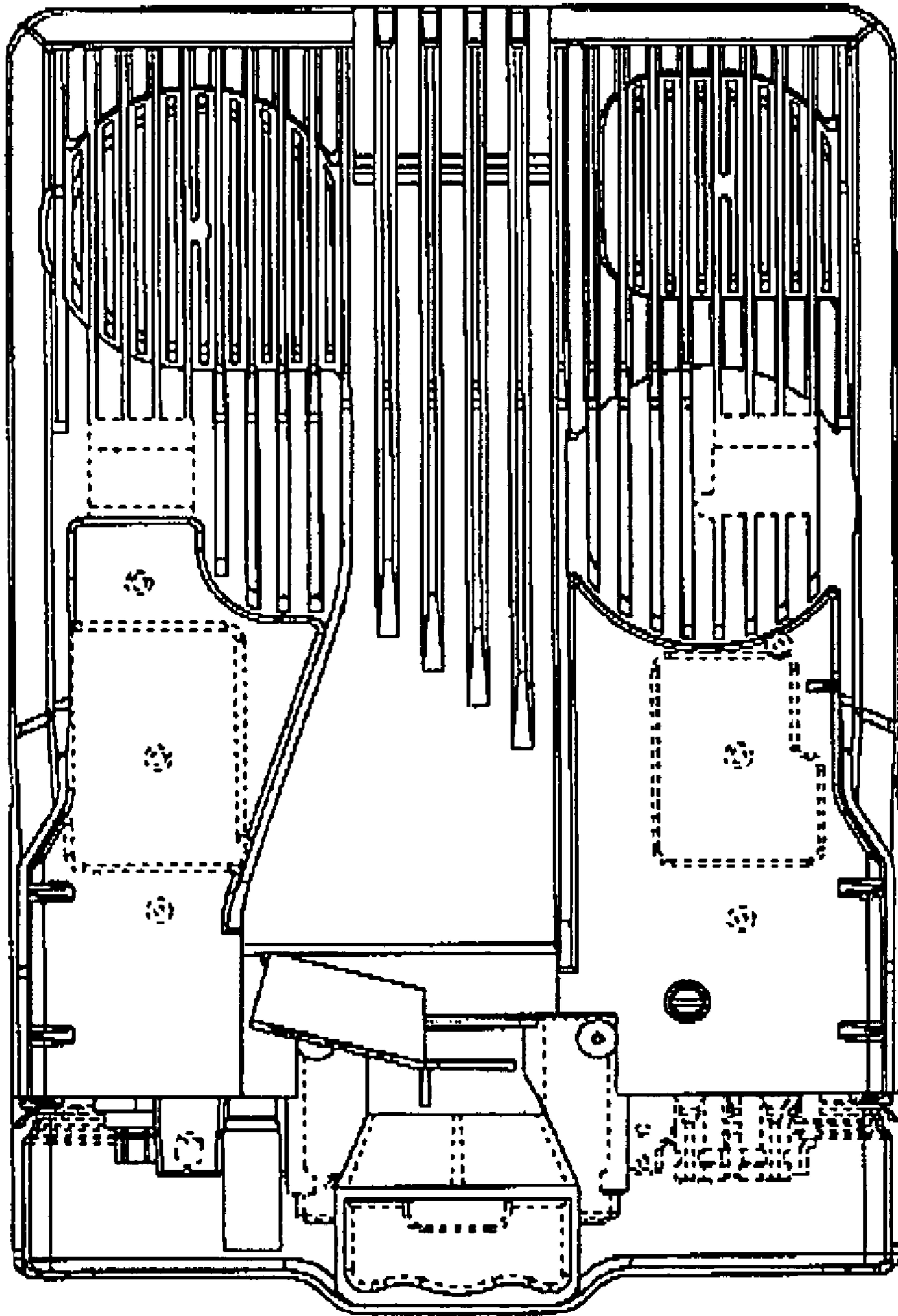


FIG. 4

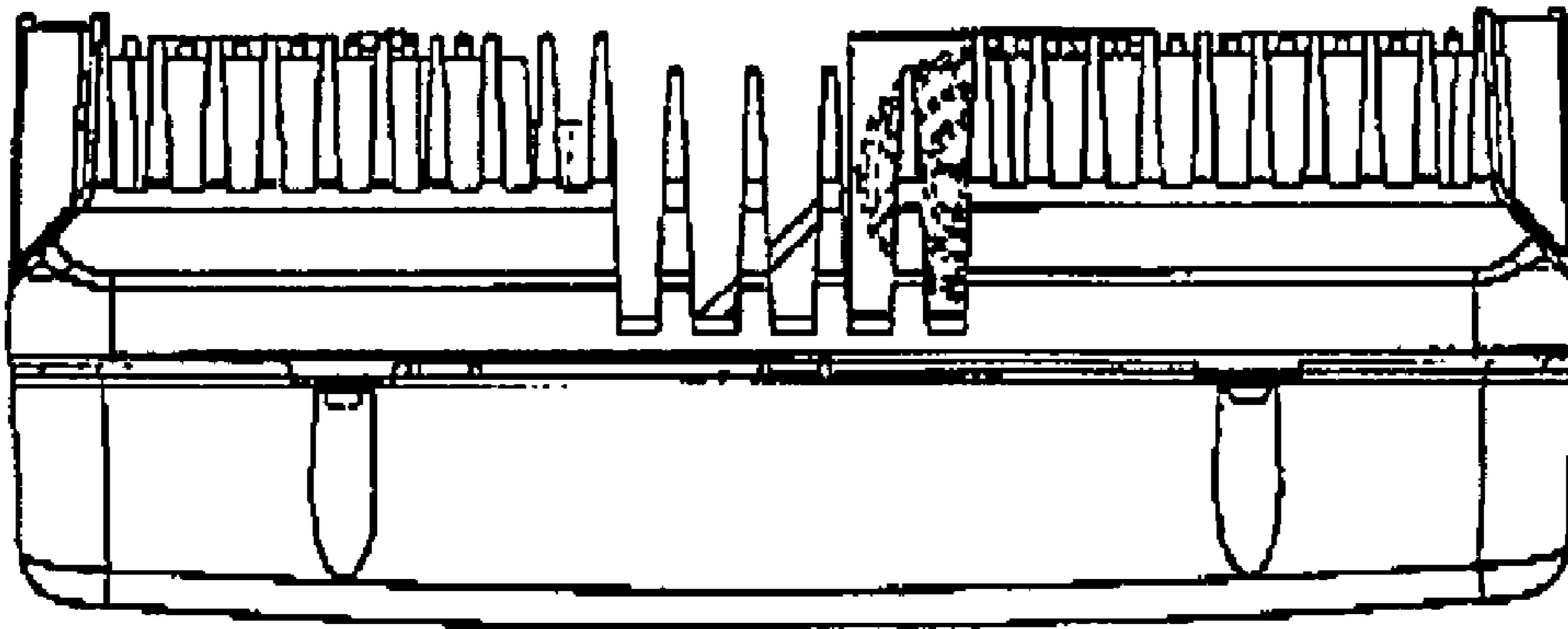


FIG. 5

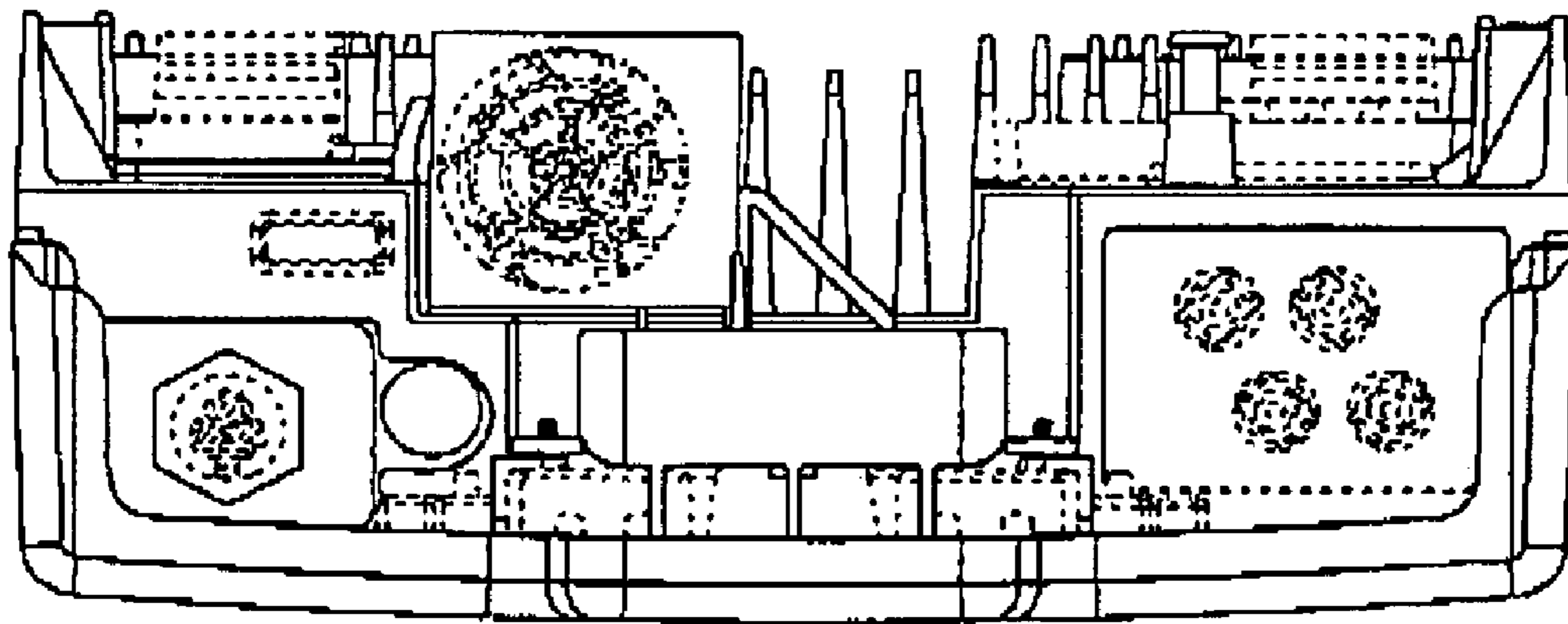


FIG. 6

UNITED STATES PATENT AND TRADEMARK OFFICE
CERTIFICATE OF CORRECTION

PATENT NO. : Des. 604,239 S
APPLICATION NO. : 29/312797
DATED : November 17, 2009
INVENTOR(S) : Engel et al.

Page 1 of 1

It is certified that error appears in the above-identified patent and that said Letters Patent is hereby corrected as shown below:

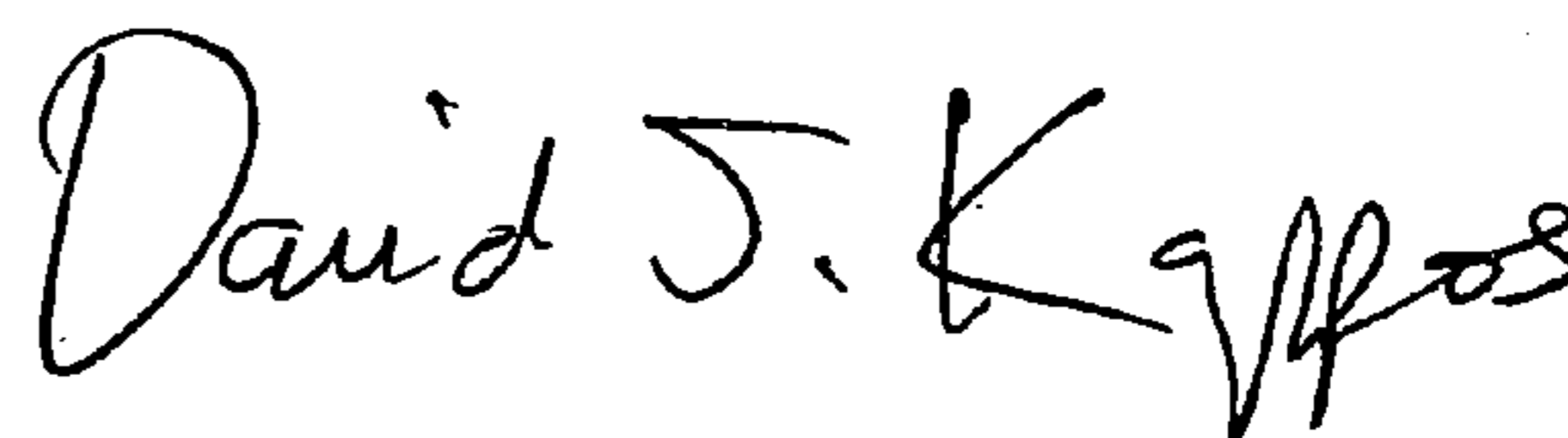
On the Title Page, Item (75) change:

“Andreas Donth, Edermundel (DE)”

to: -- Andreas Donth, Edermunde (DE) --.

Signed and Sealed this

Sixteenth Day of March, 2010



David J. Kappos
Director of the United States Patent and Trademark Office