



US00D604236S

(12) **United States Design Patent**
Chen

(10) **Patent No.:** **US D604,236 S**

(45) **Date of Patent:** **** Nov. 17, 2009**

(54) **TRAVEL CHARGER**

(75) Inventor: **Henry Chen**, City of Industry, CA (US)

(73) Assignee: **Ever Win International Corporation**,
City of Industry, CA (US)

(**) Term: **14 Years**

(21) Appl. No.: **29/333,769**

(22) Filed: **Mar. 13, 2009**

(51) **LOC (9) Cl.** **13-02**

(52) **U.S. Cl.** **D13/108**

(58) **Field of Classification Search** D13/102,
D13/107-110, 118-119, 184; D14/251,
D14/253, 432, 434; 320/107-115
See application file for complete search history.

(56) **References Cited**

U.S. PATENT DOCUMENTS

D361,978 S *	9/1995	Shirai et al.	D13/103
D407,686 S *	4/1999	Read	D13/110
D465,451 S *	11/2002	Hirano et al.	D13/107
D483,725 S *	12/2003	Thompson et al.	D13/184
D554,584 S *	11/2007	Feldman et al.	D13/110
D561,093 S *	2/2008	Sween et al.	D13/110

D561,687 S *	2/2008	Sween et al.	D13/110
D570,772 S *	6/2008	Mahaffey et al.	D13/110
D580,853 S *	11/2008	Ahlgren	D13/107

* cited by examiner

Primary Examiner—Jennifer Rivard

Assistant Examiner—Rosemary K Tarcza

(57) **CLAIM**

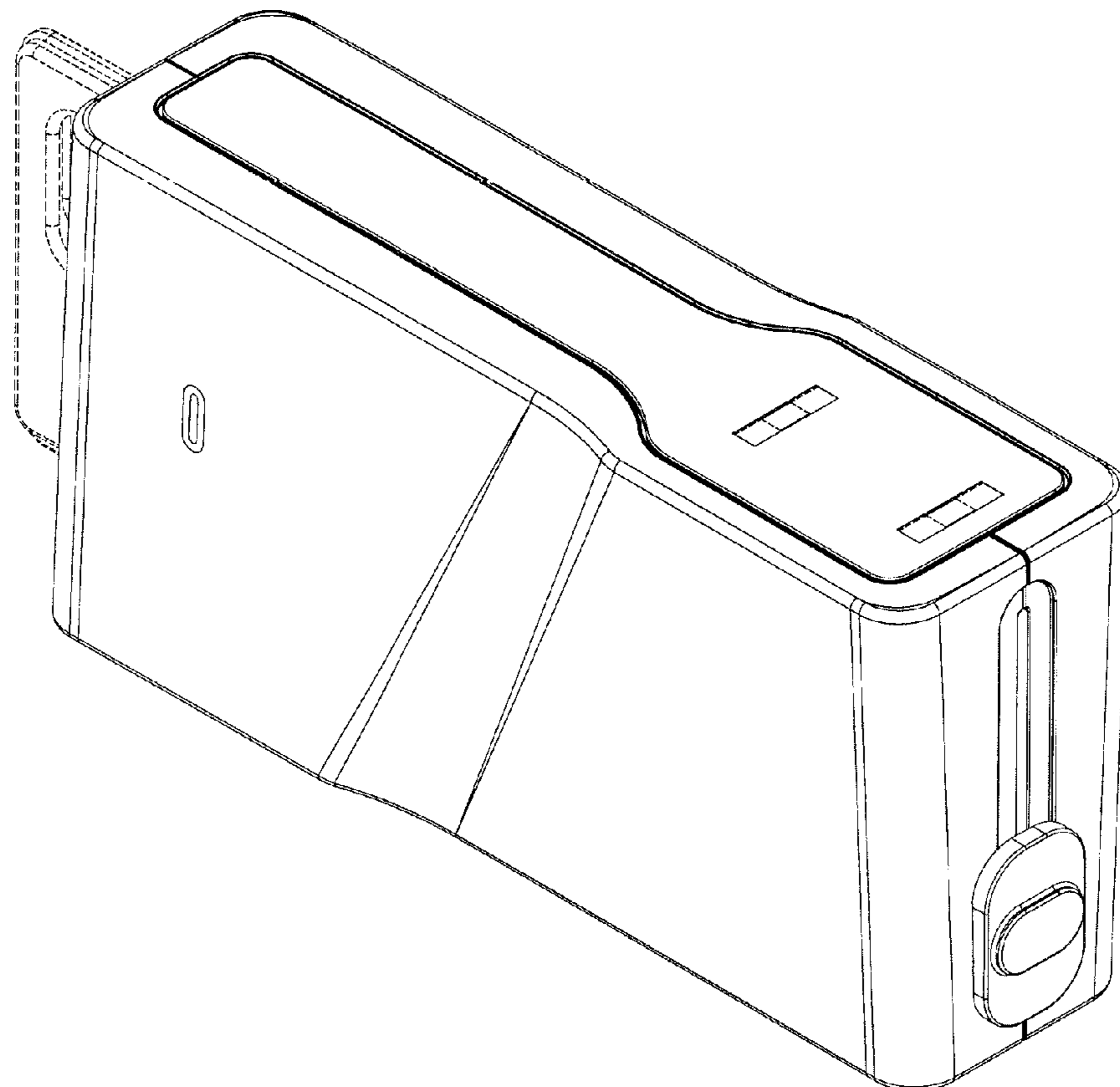
The ornamental design for a travel charger, as shown and described.

DESCRIPTION

FIG. 1 is a perspective view of a travel charger;
 FIG. 2 is a front elevation view thereof;
 FIG. 3 is a rear elevation view thereof;
 FIG. 4 is a side elevation view thereof;
 FIG. 5 is a side elevation view of the opposite side view shown in FIG. 4;
 FIG. 6 is a top view thereof; and,
 FIG. 7 is a bottom view thereof.

The broken line showing of the environment is for illustrative purposes only and forms no part of the claimed design.

1 Claim, 5 Drawing Sheets



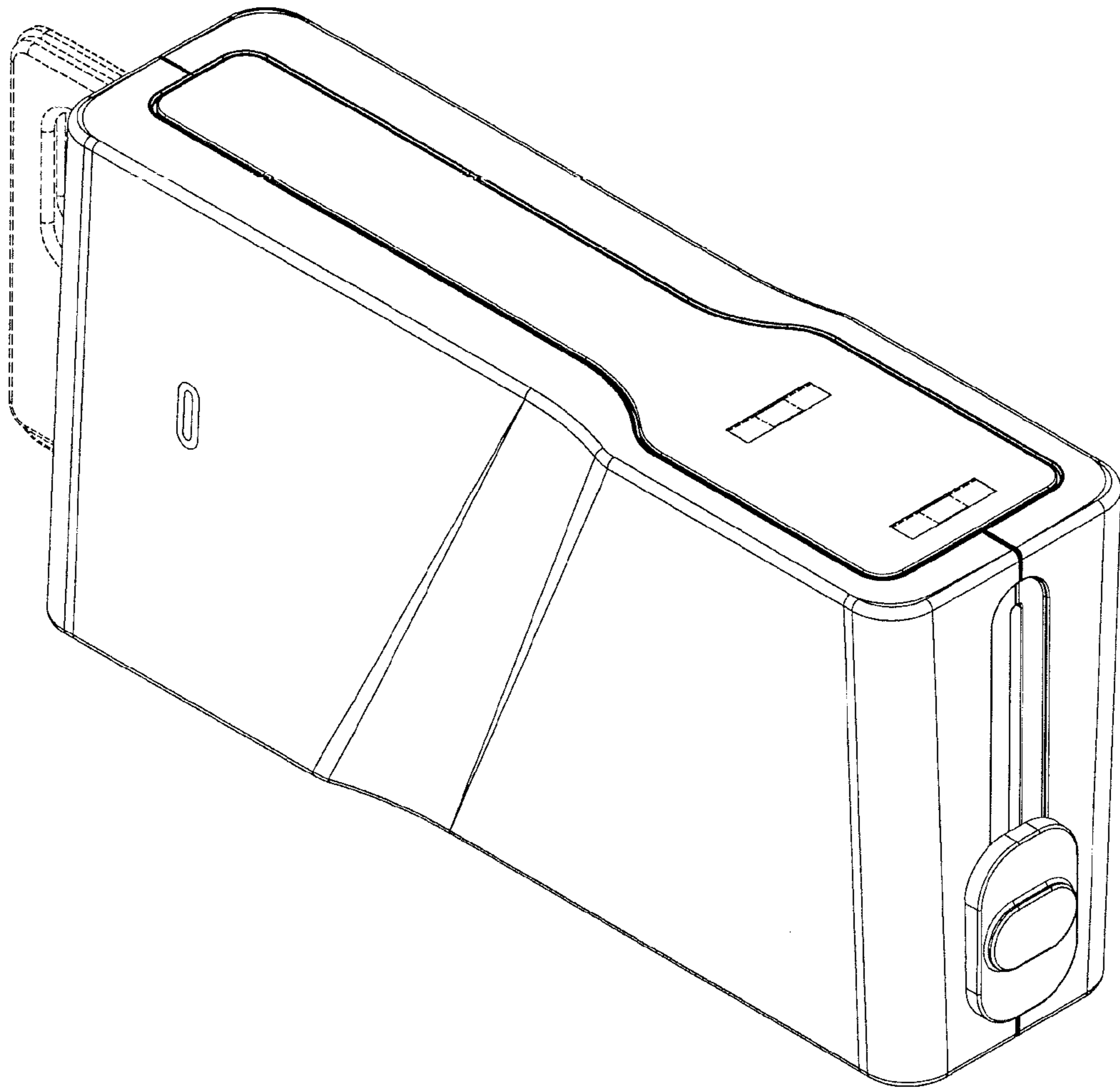


Figure 1

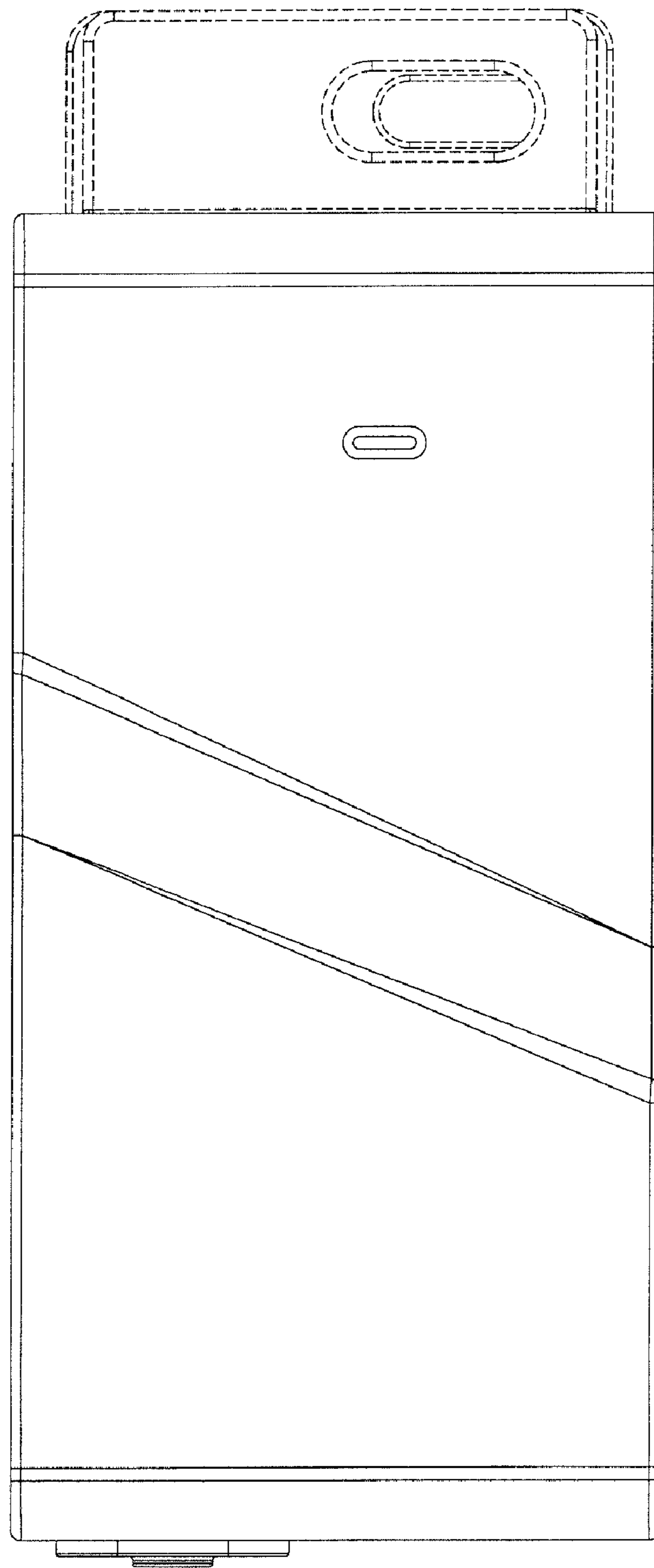


Figure 2

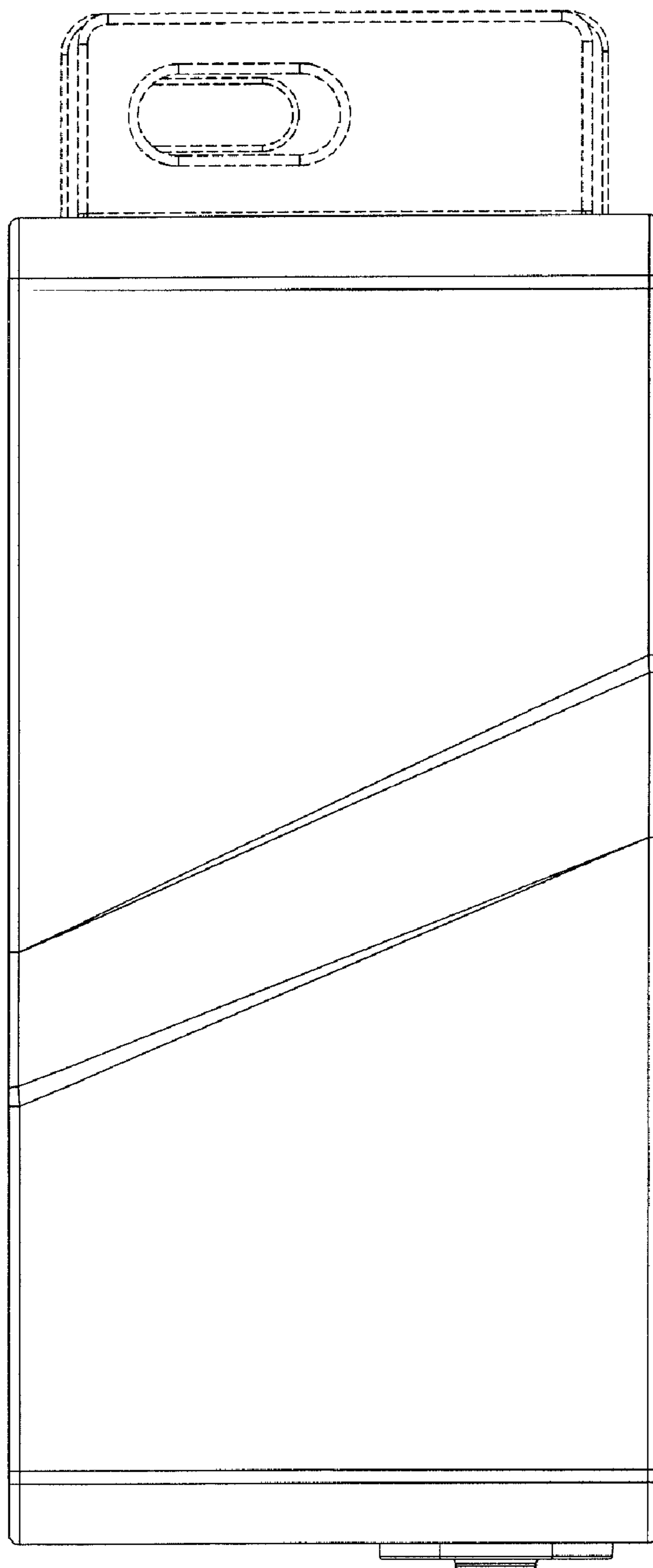


Figure 3

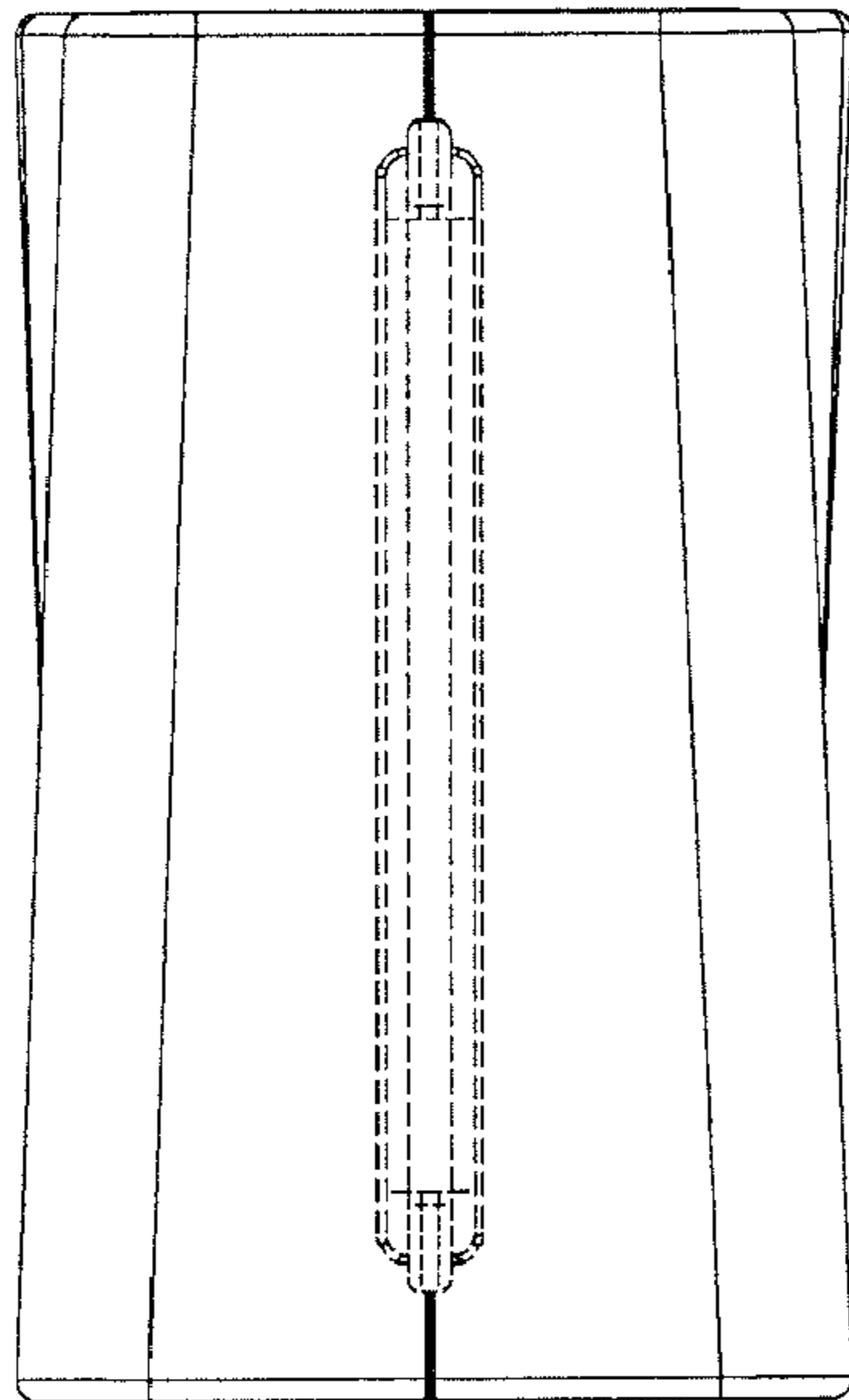


Figure 4

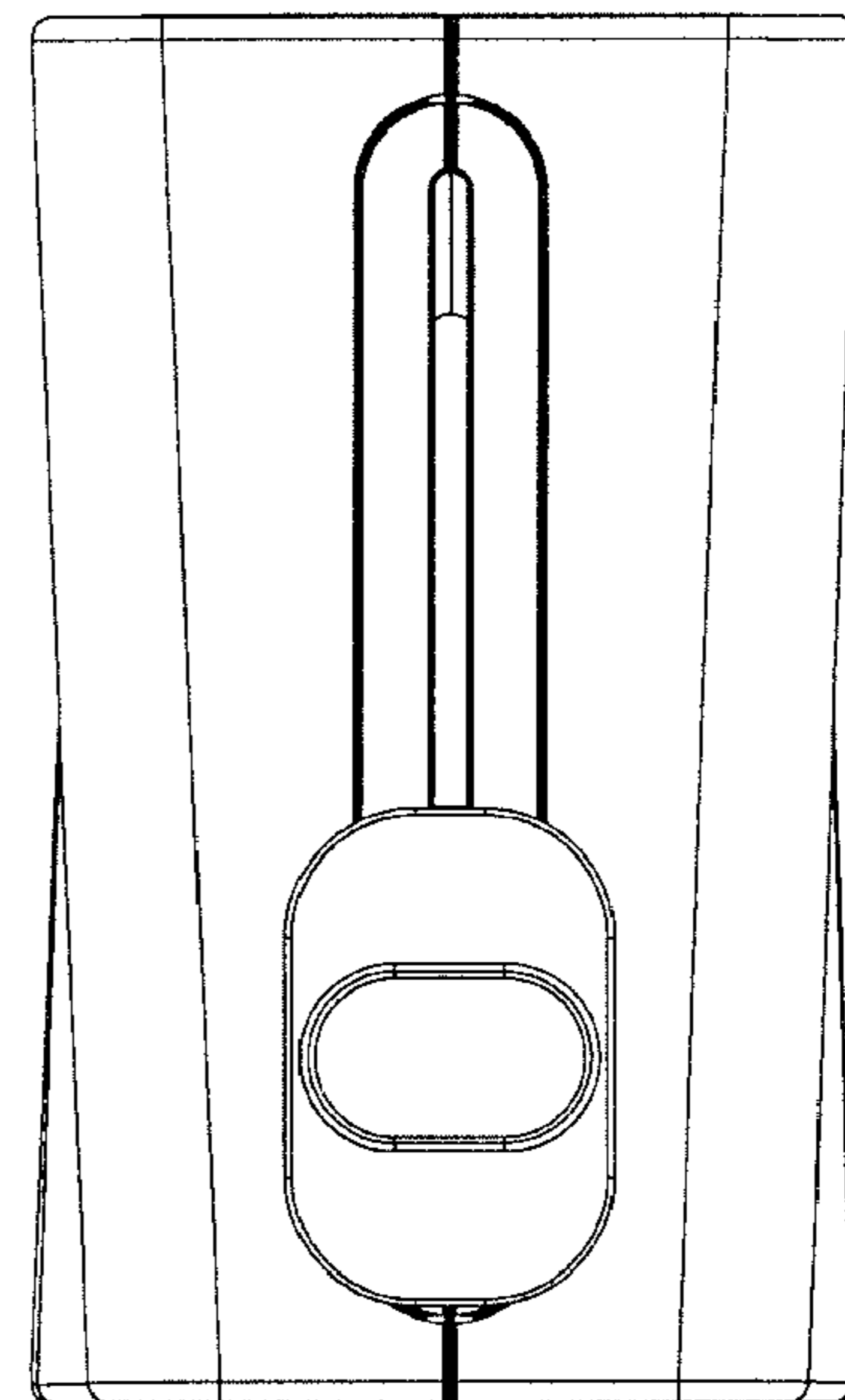


Figure 5

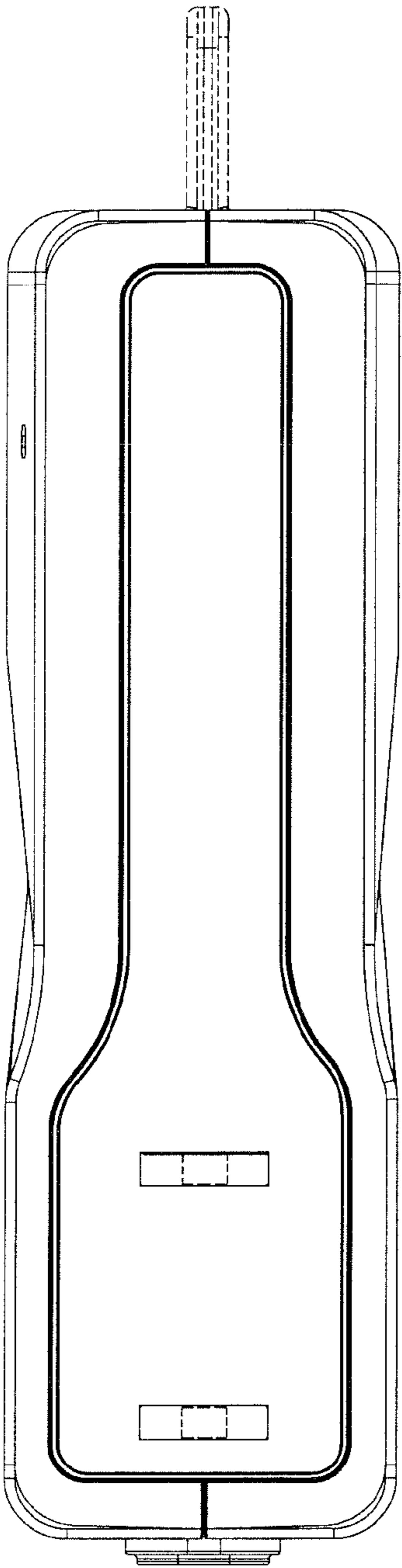


Figure 6

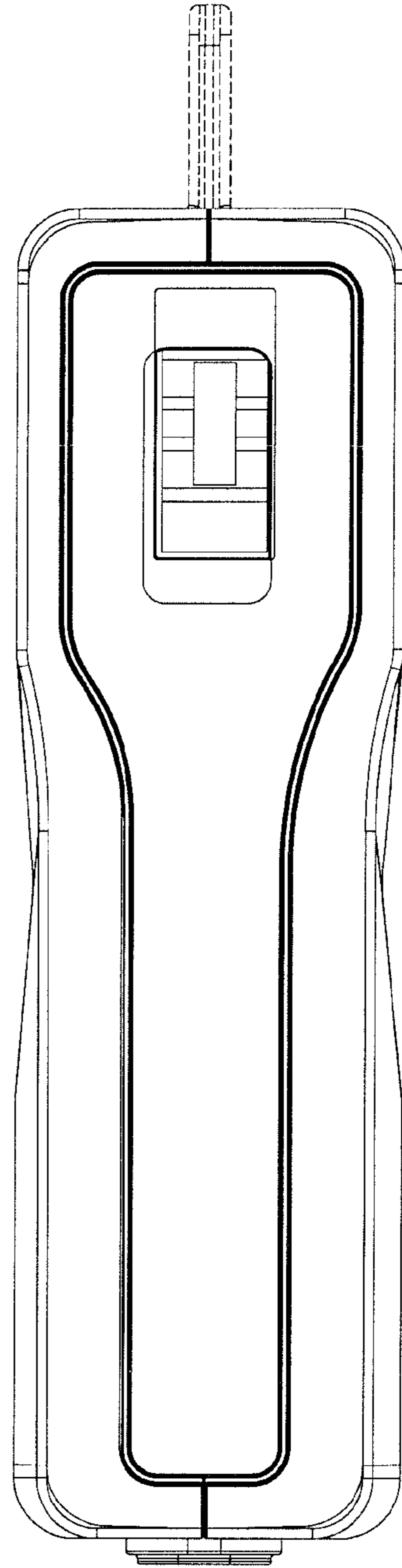


Figure 7