



US00D604235S

(12) **United States Design Patent**
Tarter

(10) **Patent No.:** **US D604,235 S**

(45) **Date of Patent:** **** Nov. 17, 2009**

(54) **POWER CARTRIDGE INSERT**

D477,276 S * 7/2003 Katsumoto et al. D13/103

* cited by examiner

(75) Inventor: **Kevin J Tarter**, Wichita, KS (US)

Primary Examiner—Jennifer Rivard

(73) Assignee: **The Coleman Company, Inc.**, Wichita, KS (US)

Assistant Examiner—Rosemary K Tarcza

(74) *Attorney, Agent, or Firm*—Kelly S. Elsea

(**) Term: **14 Years**

(57) **CLAIM**

(21) Appl. No.: **29/324,788**

The ornamental design for a power cartridge insert, as shown and described.

(22) Filed: **Sep. 19, 2008**

DESCRIPTION

(51) **LOC (9) Cl.** **13-02**

(52) **U.S. Cl.** **D13/103**

(58) **Field of Classification Search** D13/102–106,
D13/110, 118–119, 184; 429/96–100, 163,
429/176

FIG. 1 is a front side perspective view of my power cartridge insert;

FIG. 2 is a right side elevation view thereof;

FIG. 3 is a left side elevation view thereof;

FIG. 4 is a front elevation view thereof;

FIG. 5 is a rear elevation view thereof;

FIG. 6 is a top plan view thereof; and,

FIG. 7 is a bottom plan view thereof.

See application file for complete search history.

The broken line showing is for illustrative purposes only and forms no part of the claimed design.

(56) **References Cited**

U.S. PATENT DOCUMENTS

D25,762 S *	7/1896	Sutter	D13/110
D29,410 S *	9/1898	Moody	D13/110
D383,435 S *	9/1997	Svetlik	D13/103
D384,031 S *	9/1997	Lui	D13/103
D388,060 S *	12/1997	Tanaka et al.	D13/103

1 Claim, 4 Drawing Sheets

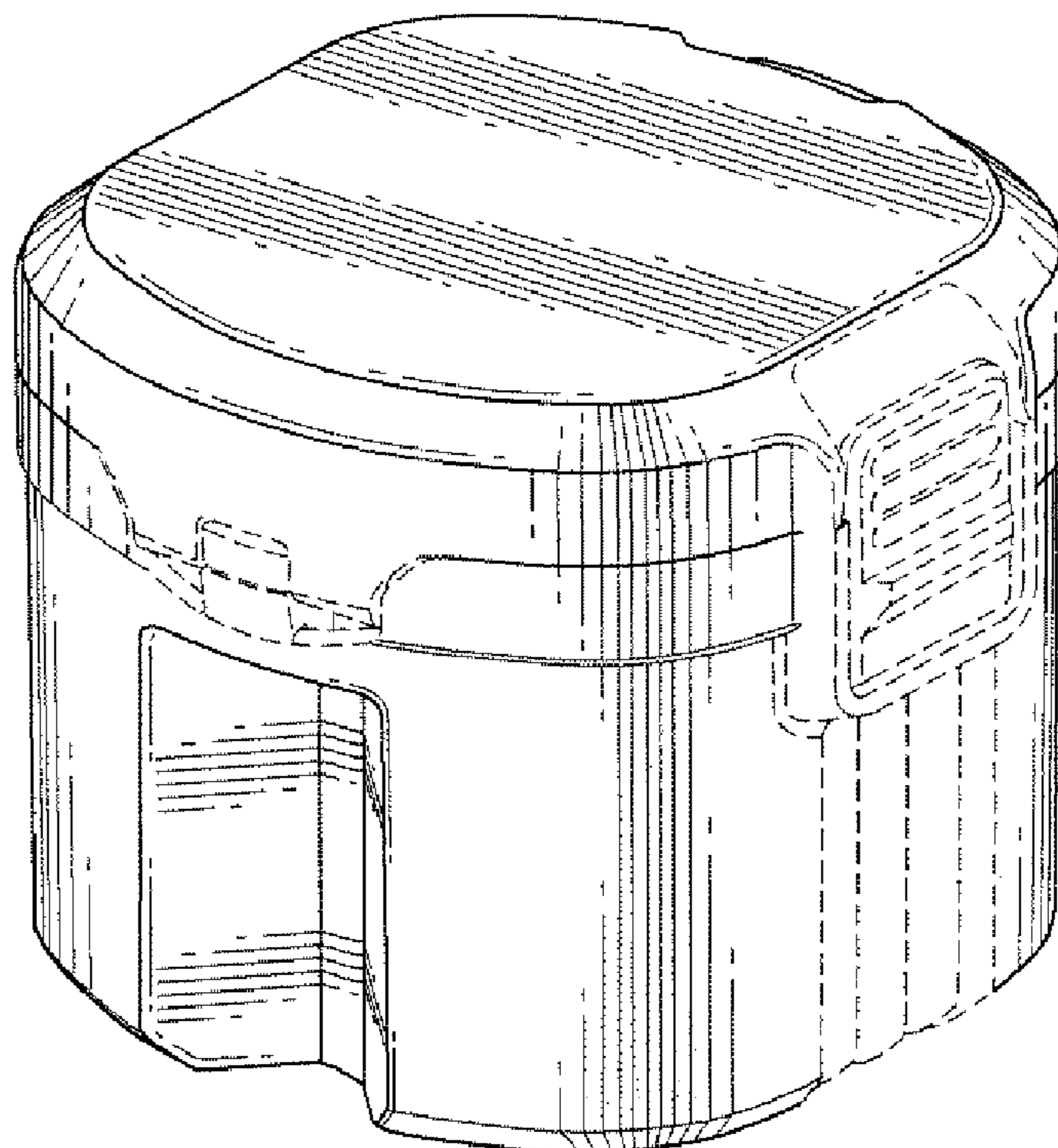


FIG. 1

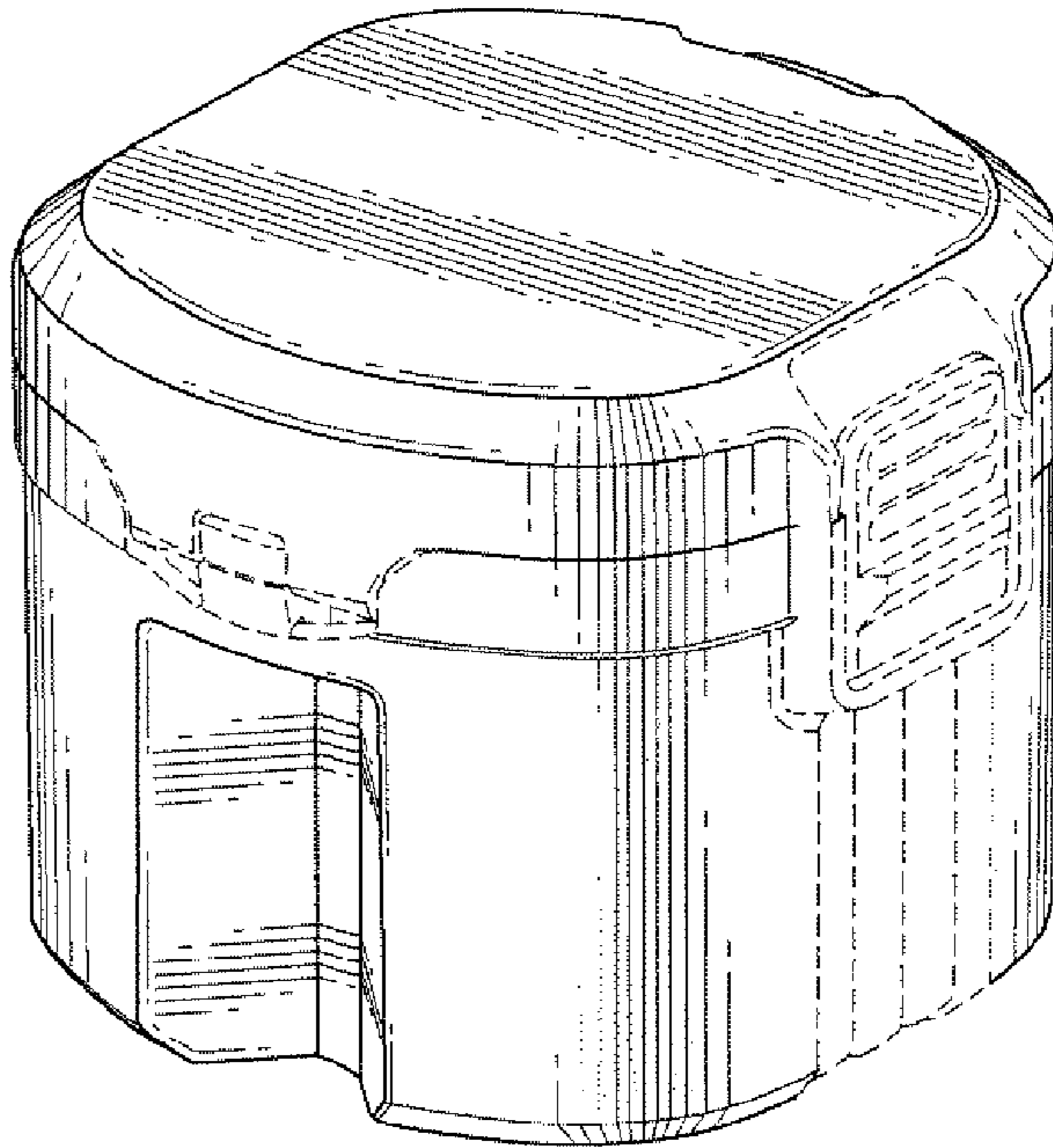


FIG. 2

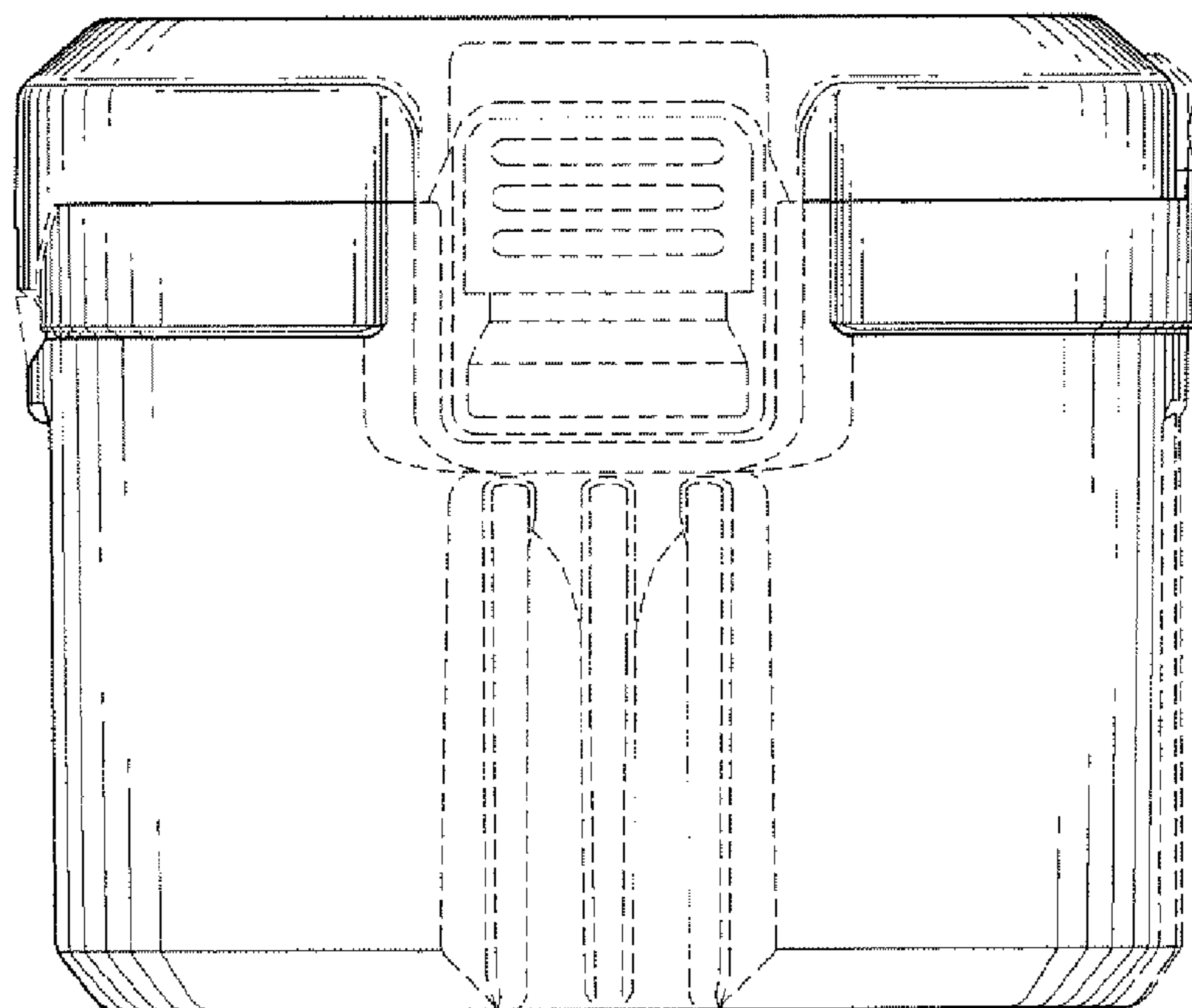


FIG. 3

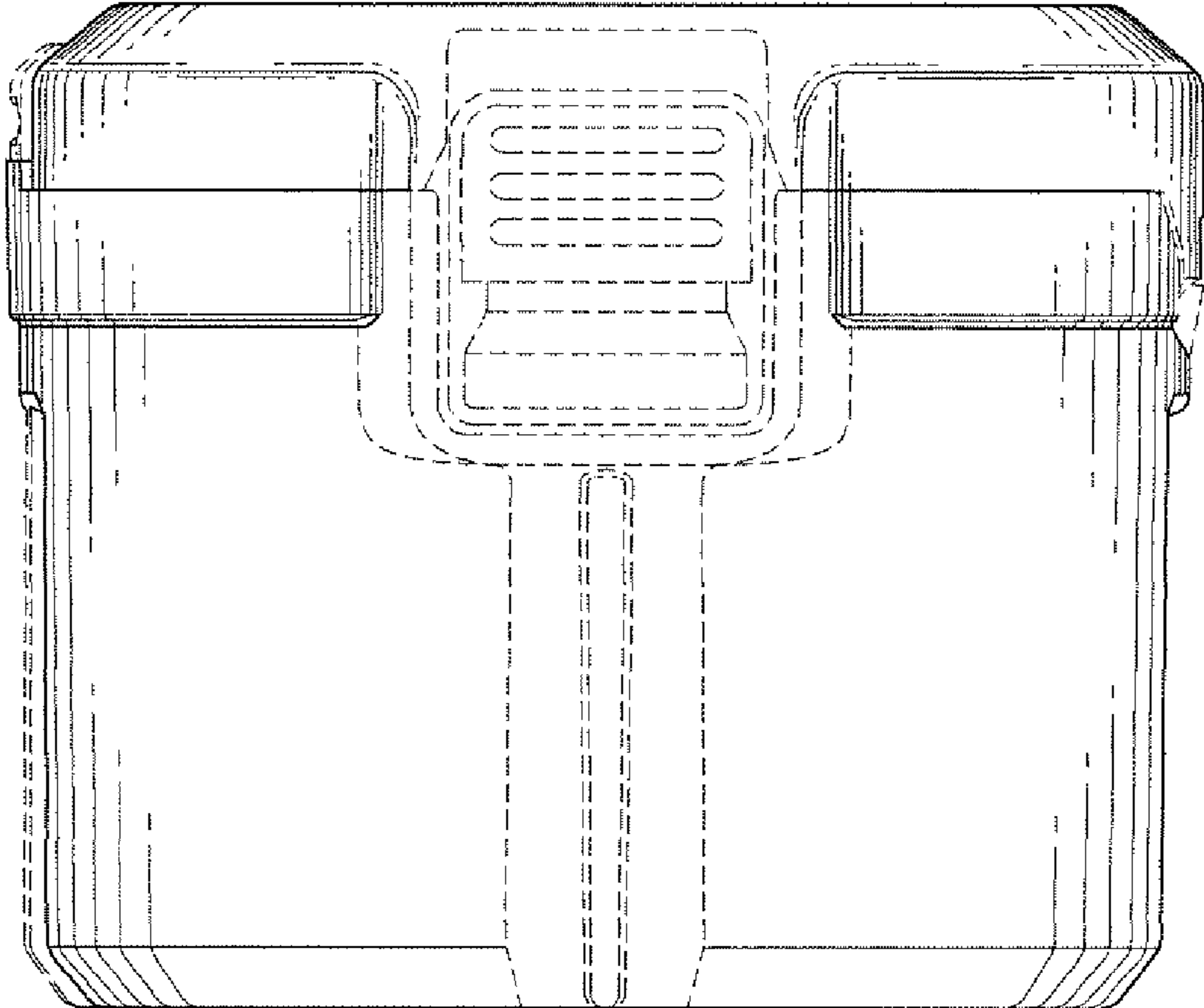


FIG. 4

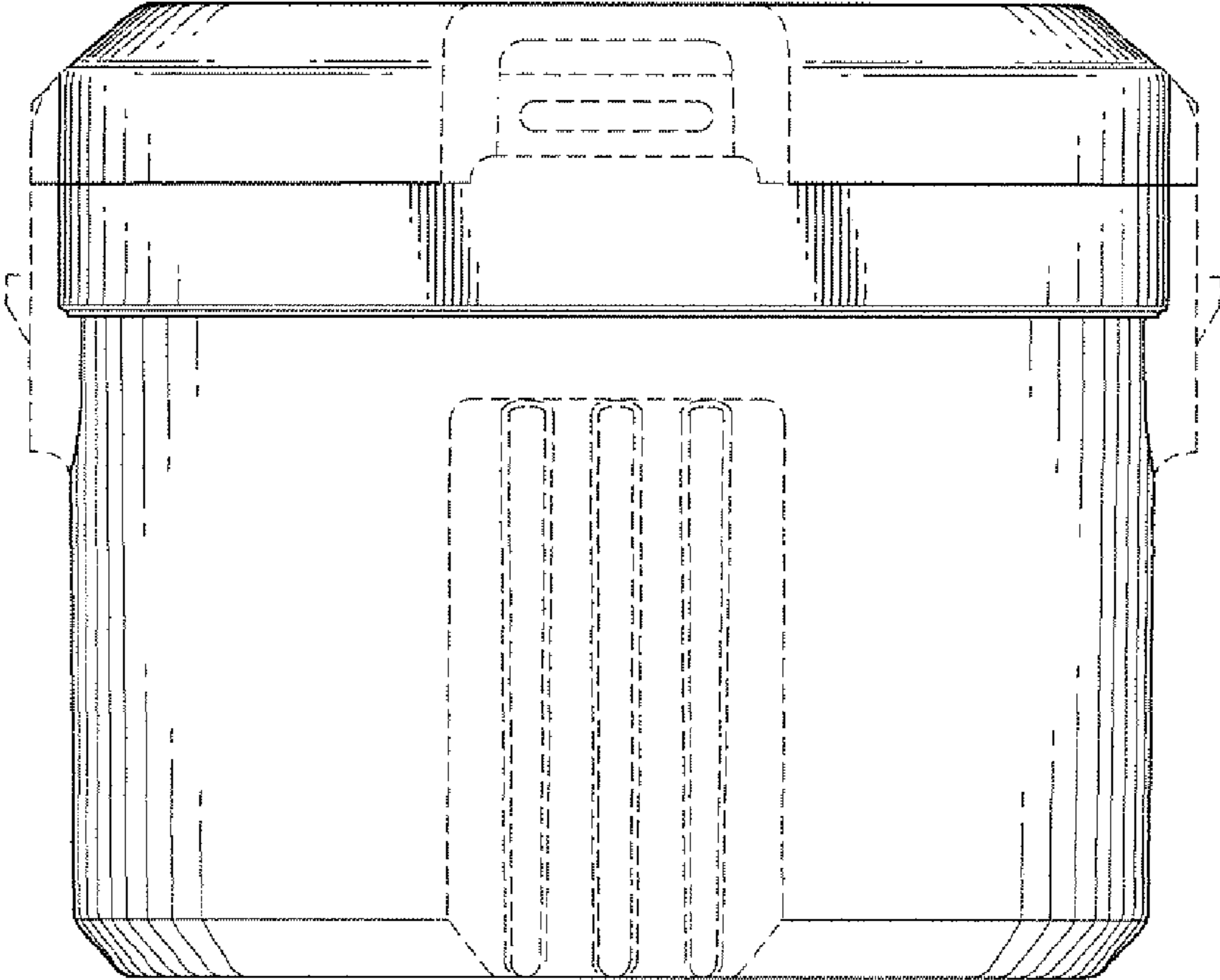


FIG. 5

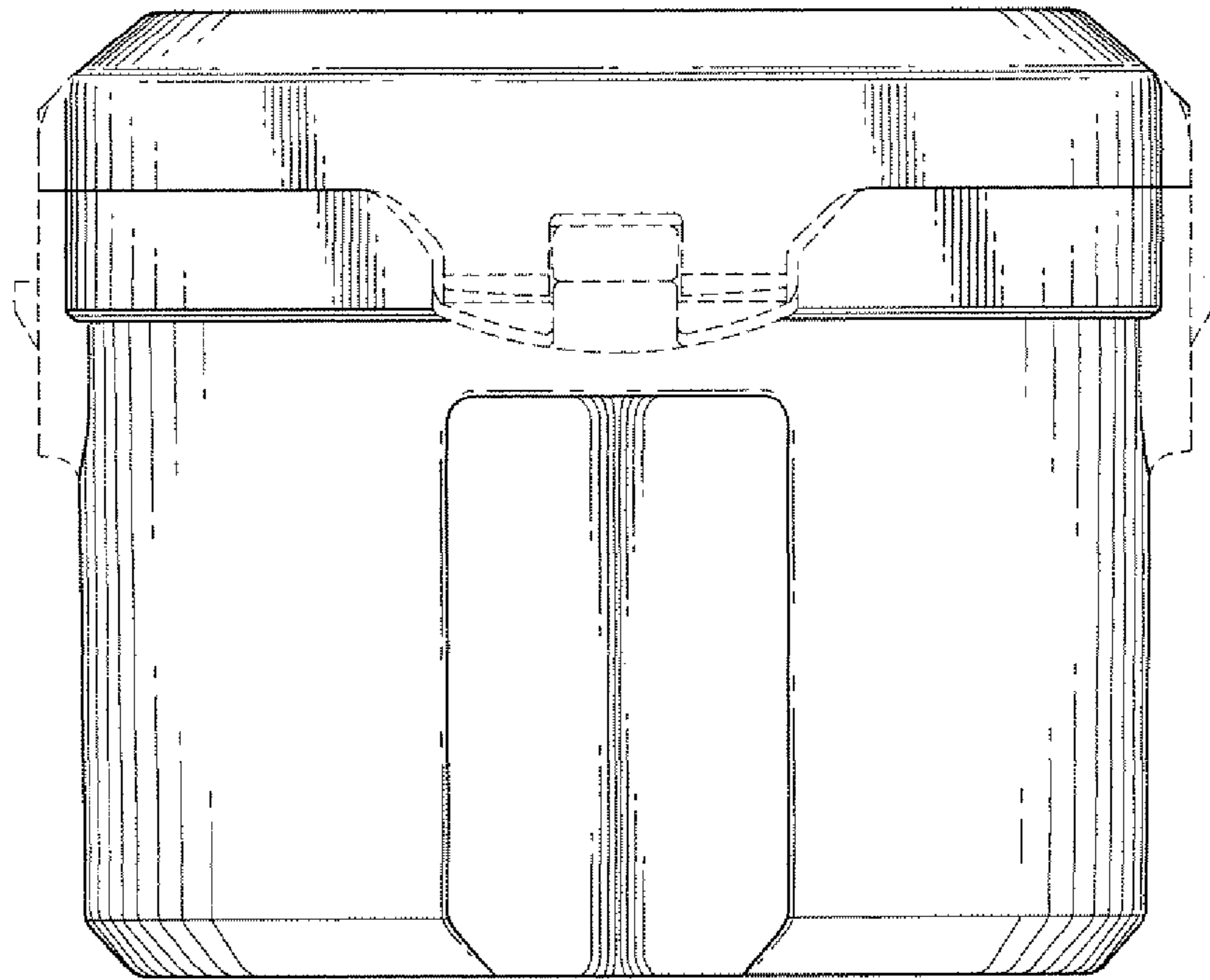


FIG. 6

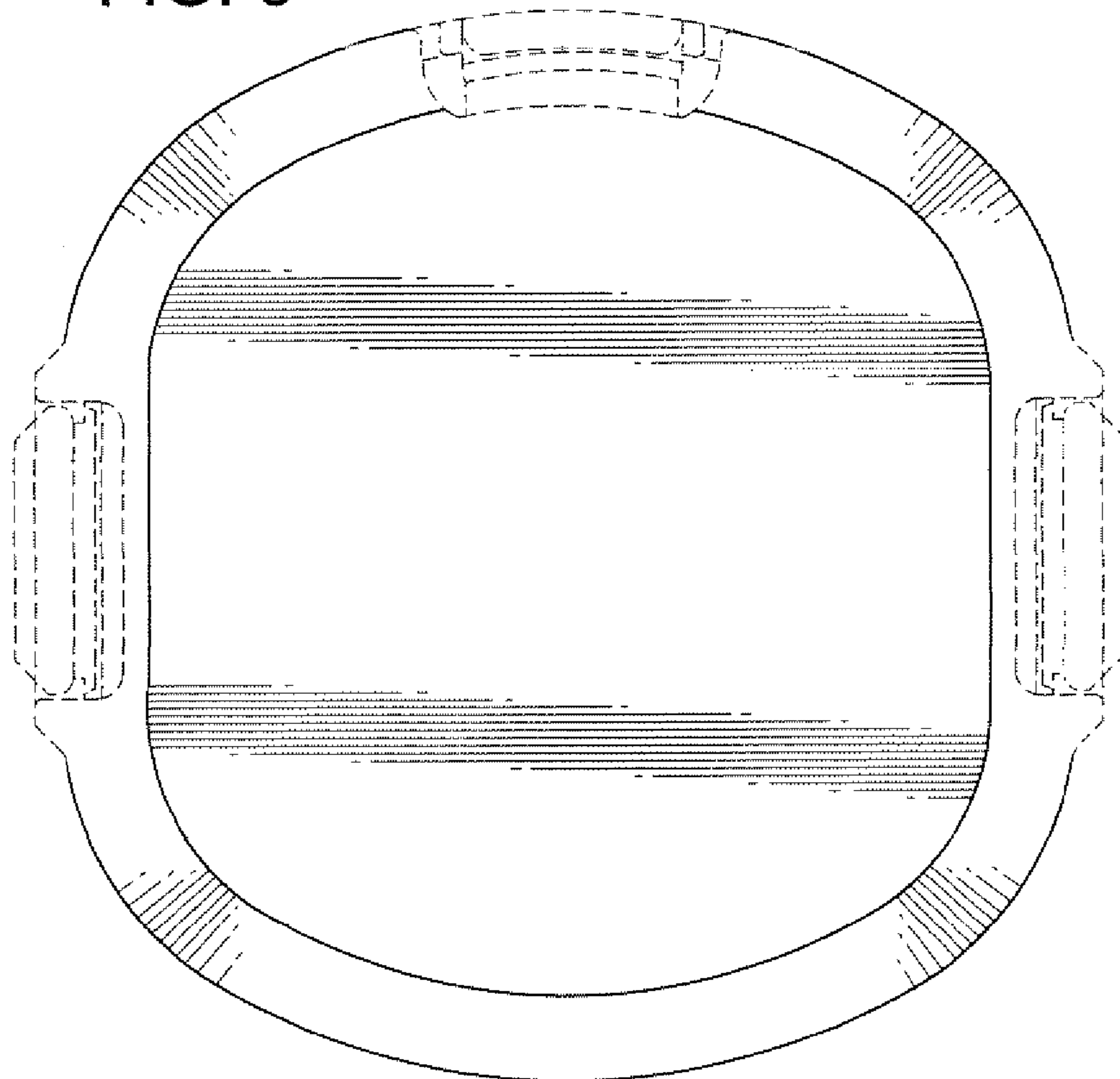


FIG. 7

