



US00D604230S

(12) **United States Design Patent**  
**Brown et al.**

(10) **Patent No.:** **US D604,230 S**  
(45) **Date of Patent:** **\*\* Nov. 17, 2009**

- (54) **TIRE**
- (75) Inventors: **Stephanie Carol Brown**, Akron, OH (US); **Paul Keyser Blackiston, III**, Ridgeley, WV (US)
- (73) Assignee: **The Goodyear Tire & Rubber Company**, Akron, OH (US)
- (\*\*) Term: **14 Years**
- (21) Appl. No.: **29/298,687**
- (22) Filed: **Dec. 11, 2007**
- (51) **LOC (9) Cl.** ..... **12-16**
- (52) **U.S. Cl.** ..... **D12/588**
- (58) **Field of Classification Search** ..... D12/568-603;  
152/209.1, 209.8, 209.9, 209.25, 209.12,  
152/209.18

See application file for complete search history.

(56) **References Cited**

**U.S. PATENT DOCUMENTS**

D370,439 S	6/1996	Feider et al.	.....	D12/141
D385,234 S	10/1997	Young	.....	D12/141
D385,235 S	10/1997	Young	.....	D12/141
D388,369 S	12/1997	Harden, Jr.	.....	D12/146
D388,370 S	12/1997	Young et al.	.....	D12/146
D397,647 S	9/1998	Young	.....	D12/146
D424,986 S *	5/2000	Yoshioka	.....	D12/601
D432,059 S	10/2000	Feider et al.	.....	D12/147
D448,707 S	10/2001	Maziarka et al.	.....	D12/147
D451,860 S	12/2001	Schuster et al.	.....	D12/147
D458,582 S	6/2002	Rodicq et al.	.....	D12/586
D472,204 S *	3/2003	Kemp et al.	.....	D12/588
D481,670 S	11/2003	Harden, Jr. et al.	.....	D12/595
D481,992 S	11/2003	Harden, Jr. et al.	.....	D12/595
D511,741 S	11/2005	Cazin-Bourguignon et al.	. . .	D12/ 601

D534,484 S 1/2007 Feider et al. .... D12/584  
D555,081 S \* 11/2007 Feider et al. .... D12/588

\* cited by examiner

*Primary Examiner*—Caron Veynar  
*Assistant Examiner*—George D Kirschbaum  
(74) *Attorney, Agent, or Firm*—Richard B. O’Planick

(57) **CLAIM**

The ornamental design for a tire, as shown and described.

**DESCRIPTION**

FIG. 1 is a perspective view of a tire showing our new design, it being understood that the pattern repeats uniformly throughout the circumference of the tread;

FIG. 2 is a front elevational view thereof;

FIG. 3 is a right side elevational view thereof; the other side being a mirror image thereof;

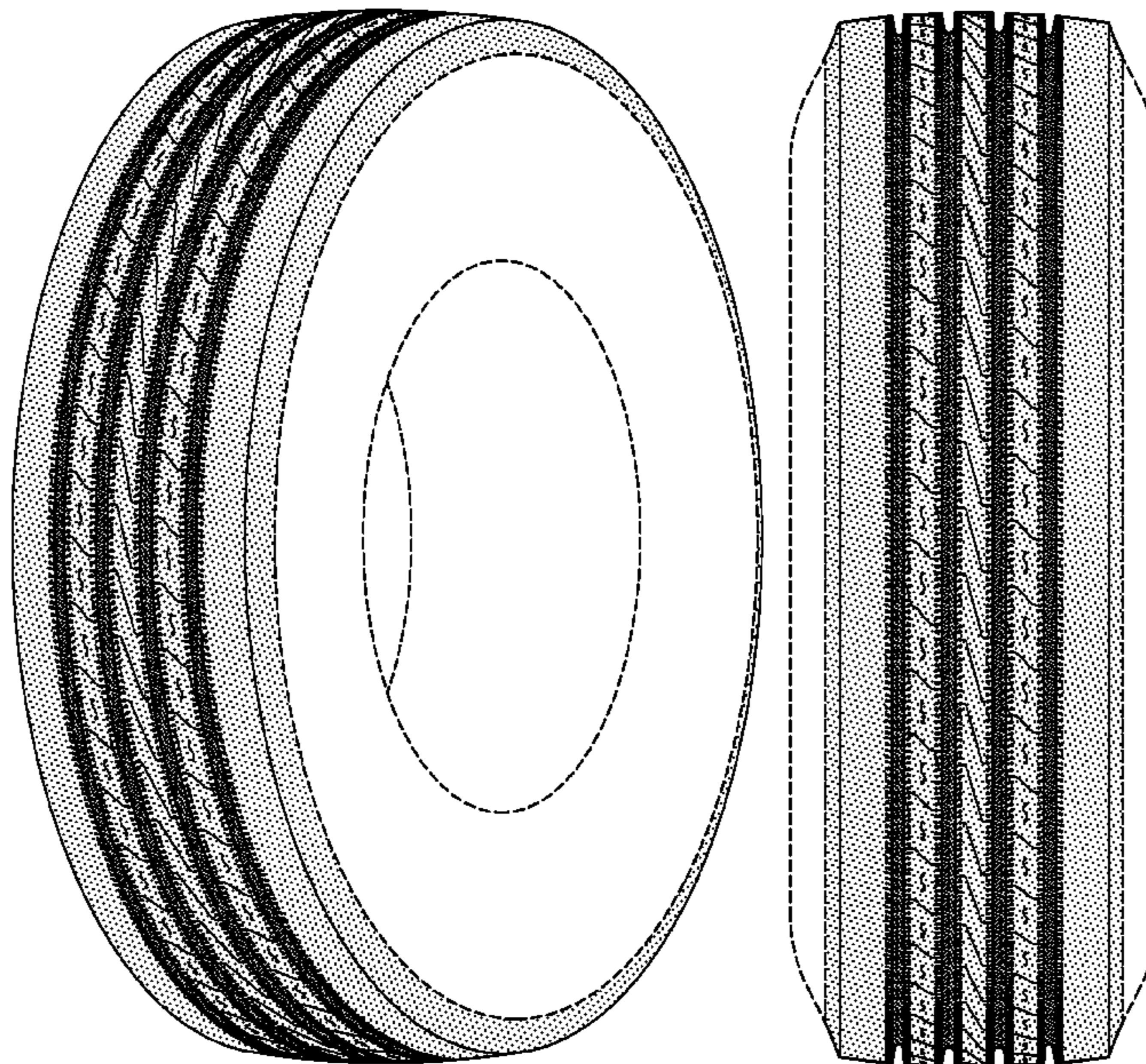
FIG. 4 is an enlarged fragmentary front elevational view thereof;

FIG. 5 is a perspective view of an alternative embodiment of a tire showing our new design, it being understood that the pattern repeats uniformly throughout the circumference of the tread and that the opposite side perspective view is a mirror image thereof; and,

FIG. 6 is a front elevational view of an alternate embodiment, it being understood that an enlarged fragmentary view thereof would be substantially identical to that shown in FIG. 4, with the exception of the inclusion of the sidewall in solid lines.

In the drawings, the broken lines defining the sidewall, inner bead and the peripheral boundary between the claimed tire tread and the unclaimed sidewall in FIGS. 1 through 4 depict environmental subject matter that forms no part of the claimed design.

**1 Claim, 6 Drawing Sheets**





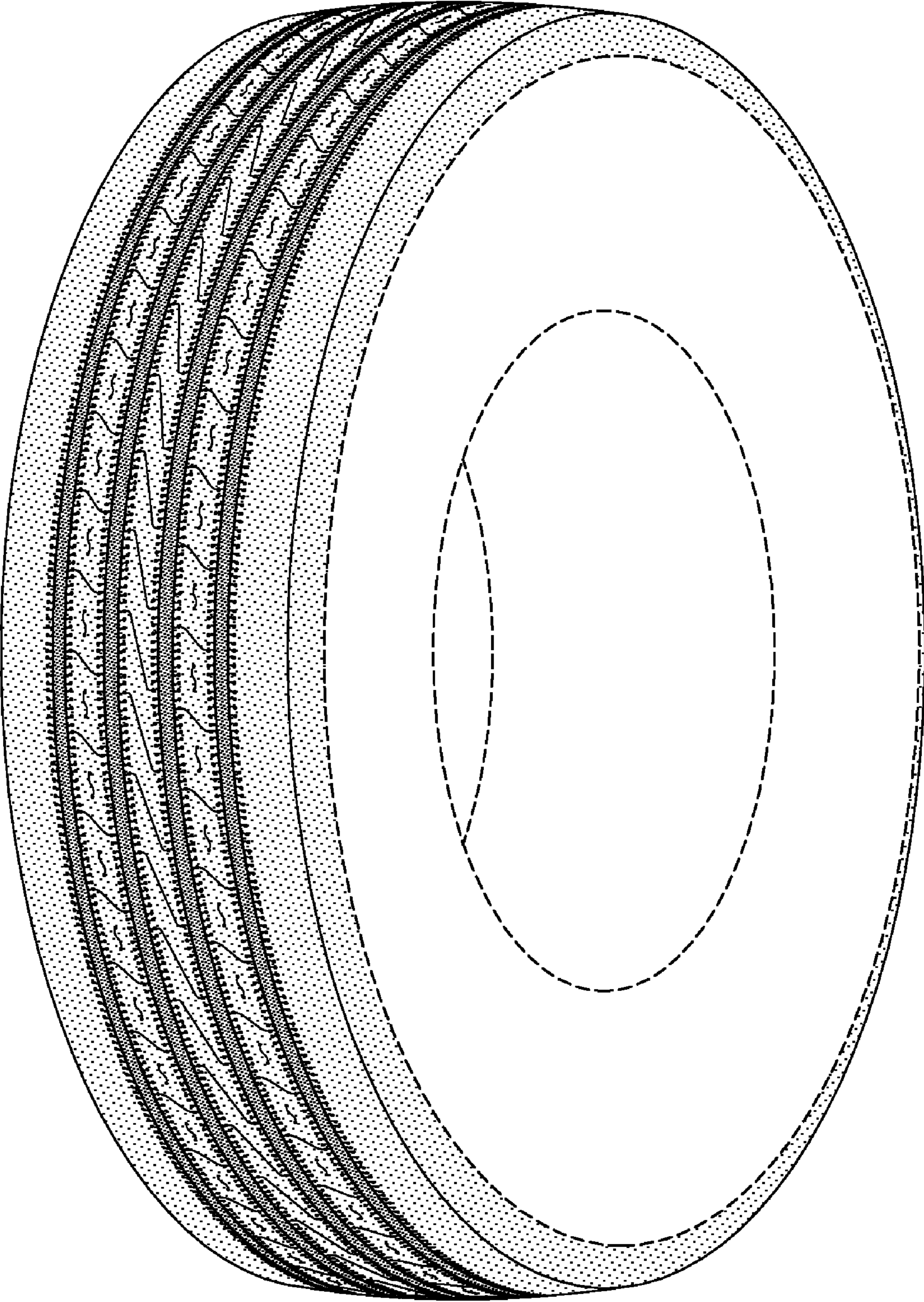


FIG-1

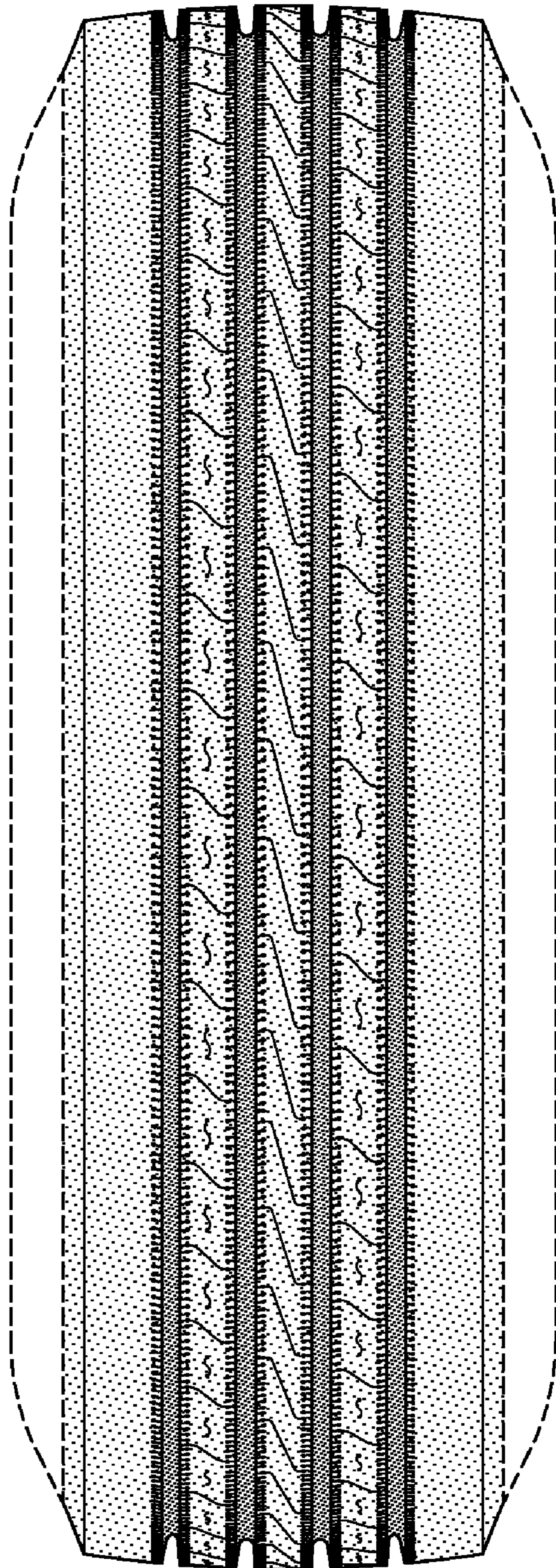


FIG-2

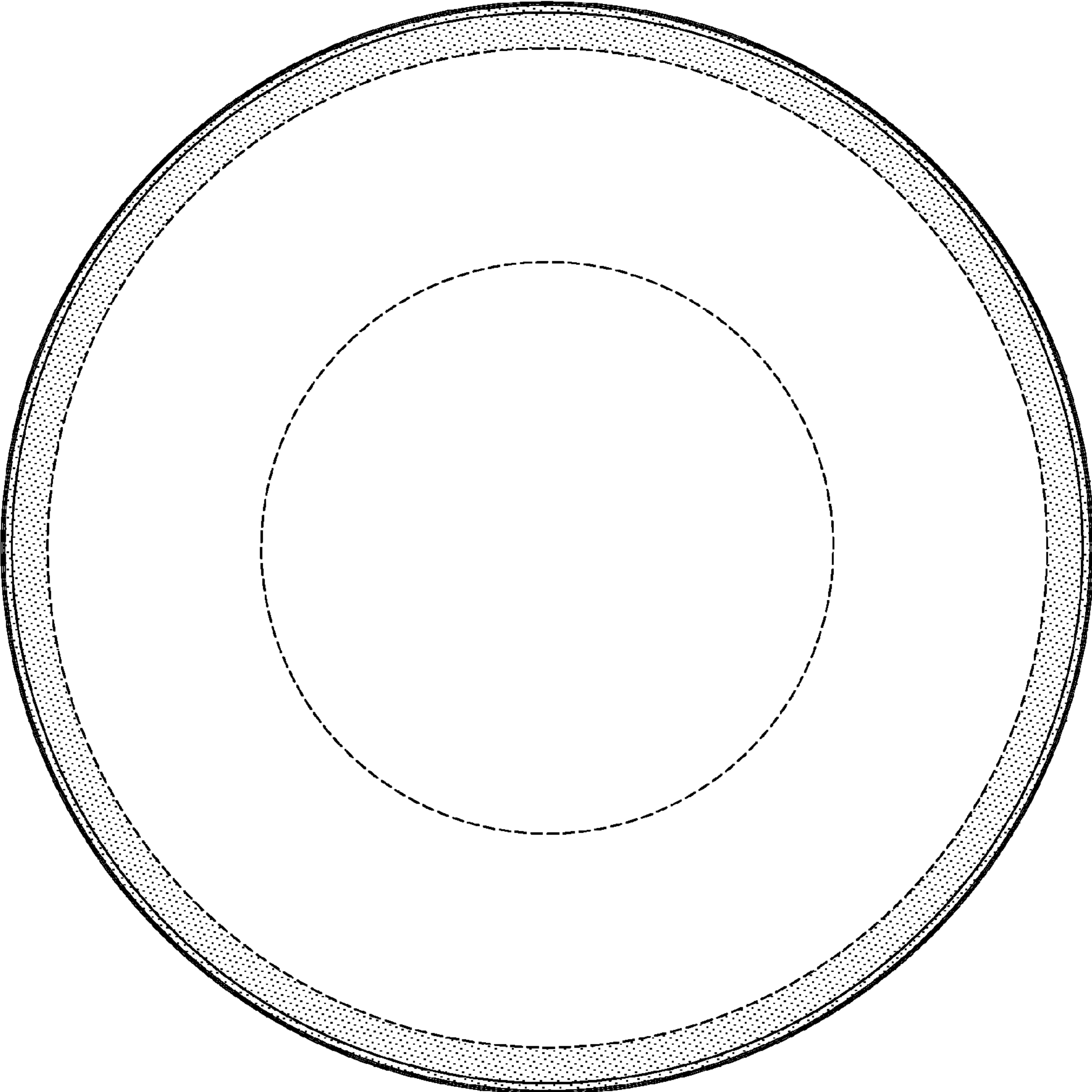


FIG-3



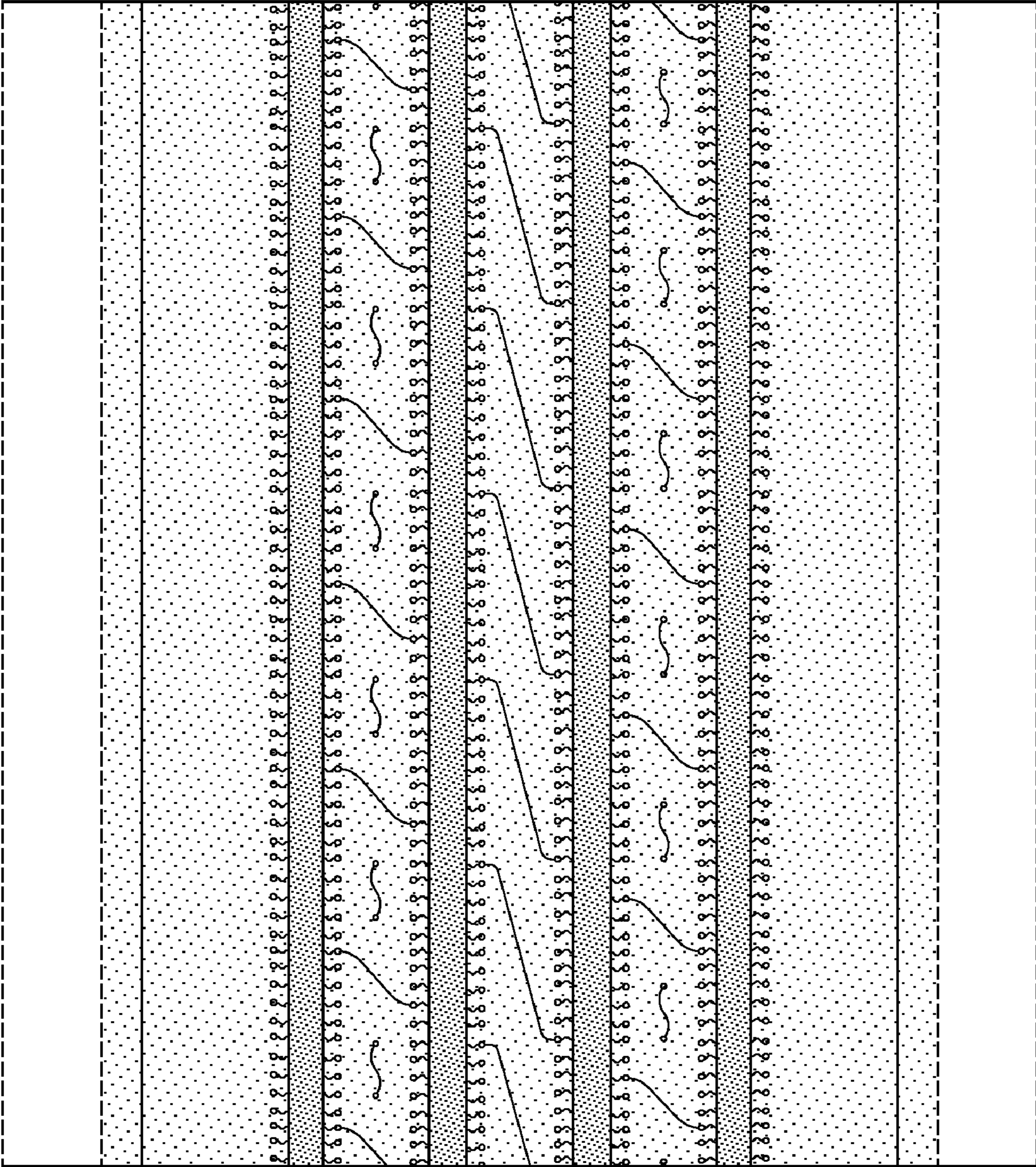


FIG-4

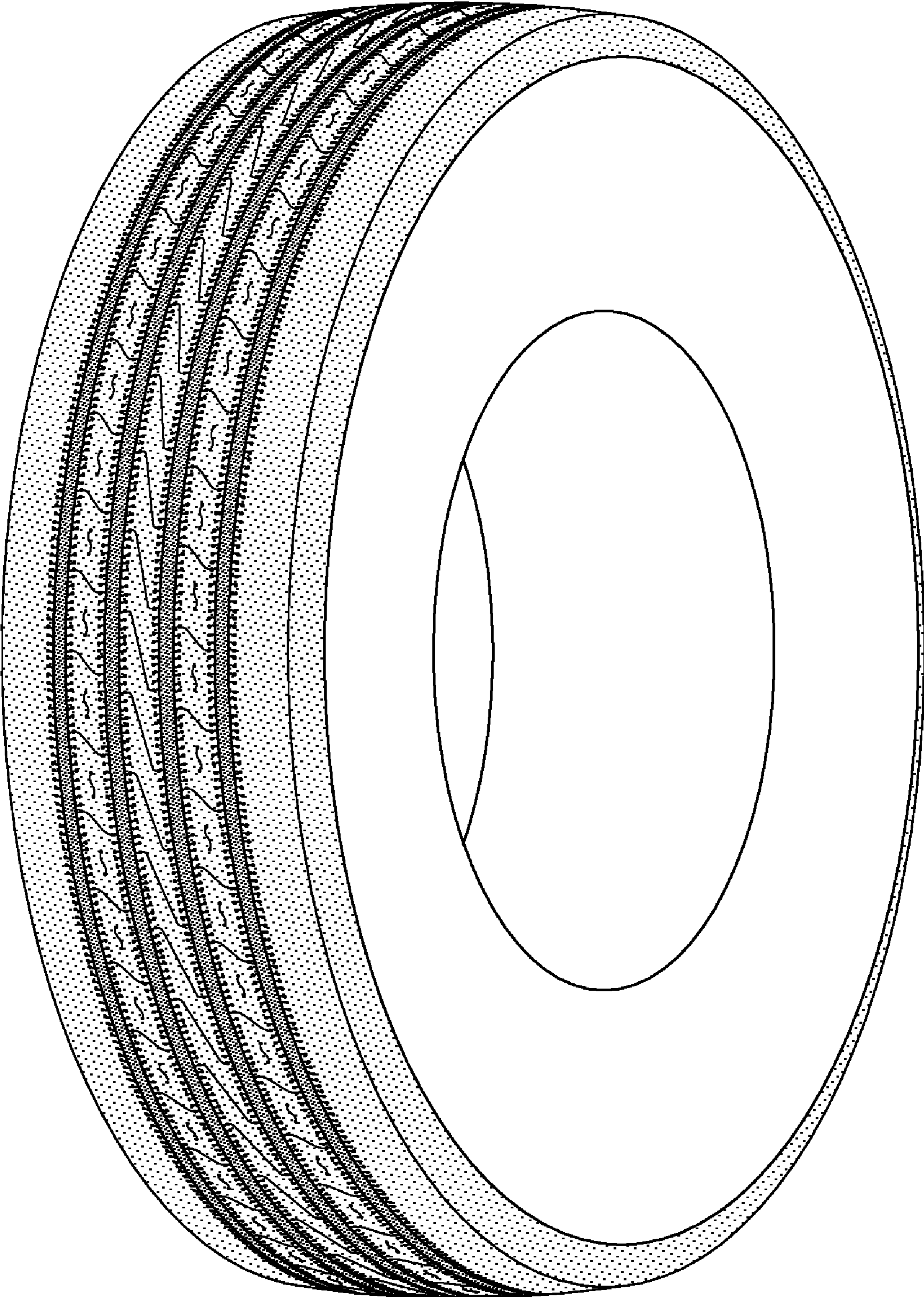


FIG-5



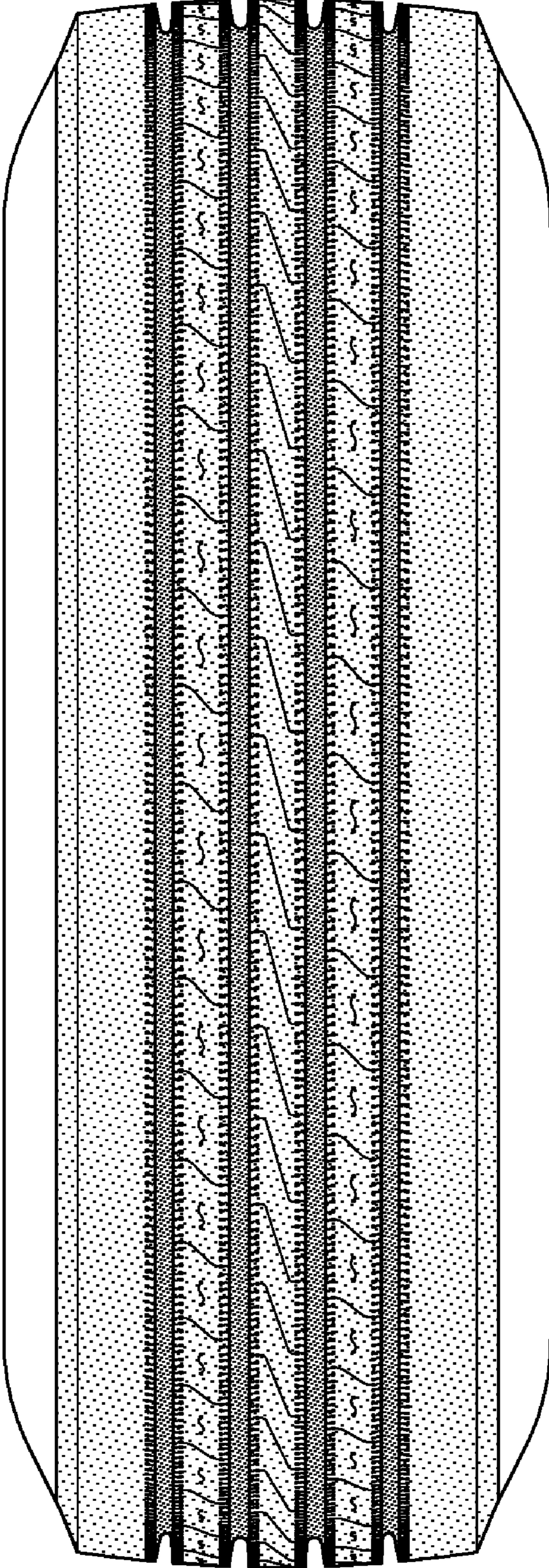


FIG-6