



US00D604224S

(12) **United States Design Patent**
Carpenter

(10) **Patent No.:** **US D604,224 S**
(45) **Date of Patent:** **** Nov. 17, 2009**

(54) **LOCKING COVER WITH CUP HOLDER FOR MOTORCYCLES**

(76) Inventor: **James R. Carpenter**, 5312 Lewis Ct., Shawnee, KS (US) 66226

(**) Term: **14 Years**

(21) Appl. No.: **29/339,147**

(22) Filed: **Jun. 24, 2009**

Related U.S. Application Data

(63) Continuation-in-part of application No. 11/804,751, filed on May 18, 2007.

(51) **LOC (9) Cl.** **12-11**

(52) **U.S. Cl.** **D12/411**

(58) **Field of Classification Search** D12/110, D12/114, 406, 407, 409-411, 415, 419, 420, D12/424-426, 426.1; 224/42.11, 412-435, 224/315, 436-439, 447-451, 462, 926, 440; 180/219; 280/288.4; 296/37.1; 70/91, 158, 70/223; D7/601, 602, 701, 702, 704; D8/373, D8/499; 248/153, 154, 175, 176.1, 311.2; D6/462, 566; 211/17, 85.18, 85.31, 181.1, 211/5, 75, 106

See application file for complete search history.

(56) **References Cited**

U.S. PATENT DOCUMENTS

2,754,078 A * 7/1956 Koger et al. 248/311.2

3,734,439 A * 5/1973 Wintz 248/224.51
4,071,214 A * 1/1978 Reidy 248/211
D256,528 S * 8/1980 Ormond D6/566
D589,873 S * 4/2009 Banks D12/411
D597,450 S * 8/2009 Carpenter D12/114

* cited by examiner

Primary Examiner—Cathron C Brooks
Assistant Examiner—Linda G. Brooks
(74) *Attorney, Agent, or Firm*—Adam S. Langley

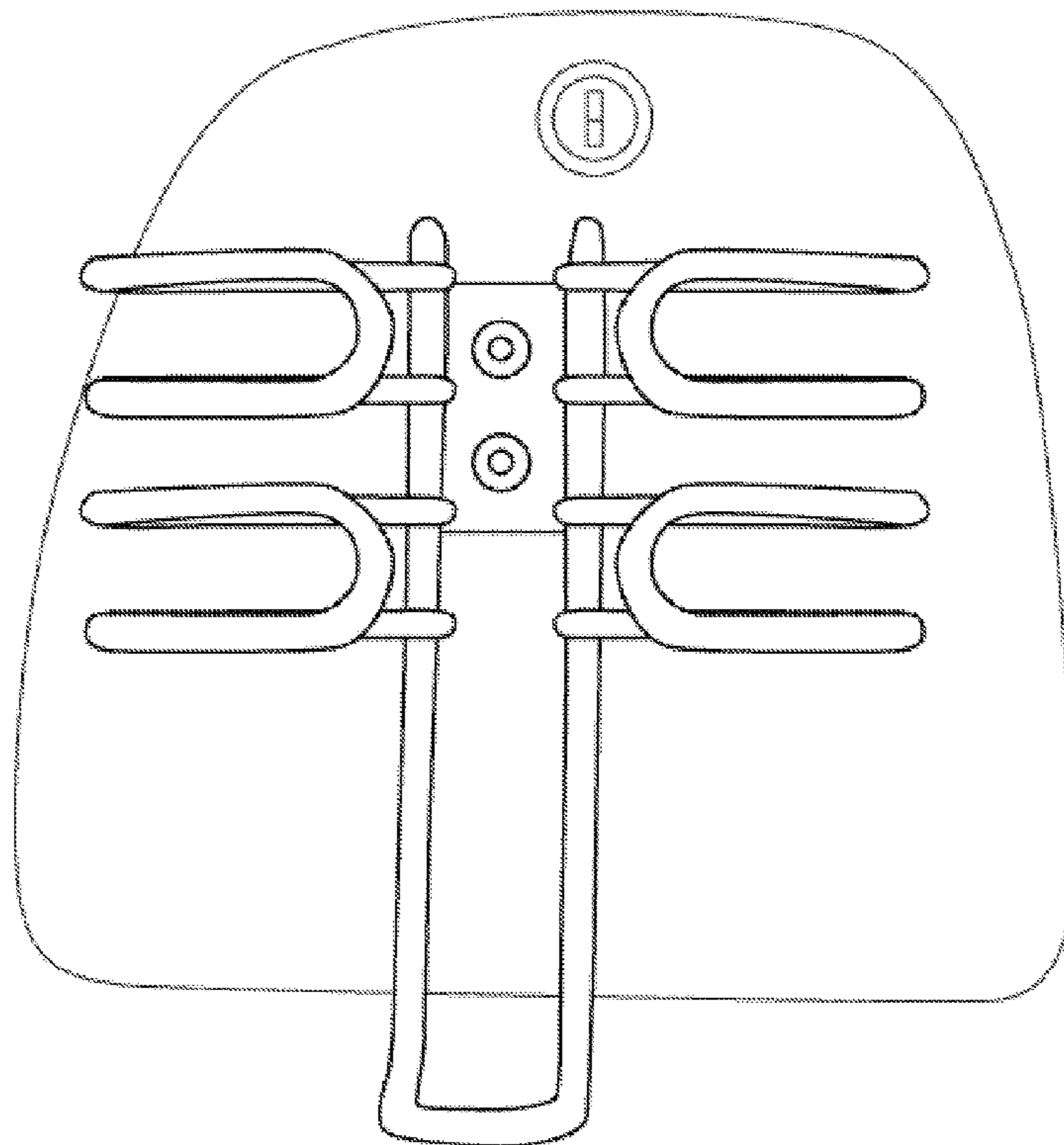
(57) **CLAIM**

The ornamental design for a locking cover with cup holder for motorcycles, as shown and described.

DESCRIPTION

FIG. 1 is a front elevational view of the locking cover with cup holder for motorcycles;
FIG. 2 is a rear elevational view thereof;
FIG. 3 is a right side elevational view thereof;
FIG. 4 is a left side elevational view thereof;
FIG. 5 is a top view thereof; and,
FIG. 6 is a bottom view thereof.

1 Claim, 6 Drawing Sheets



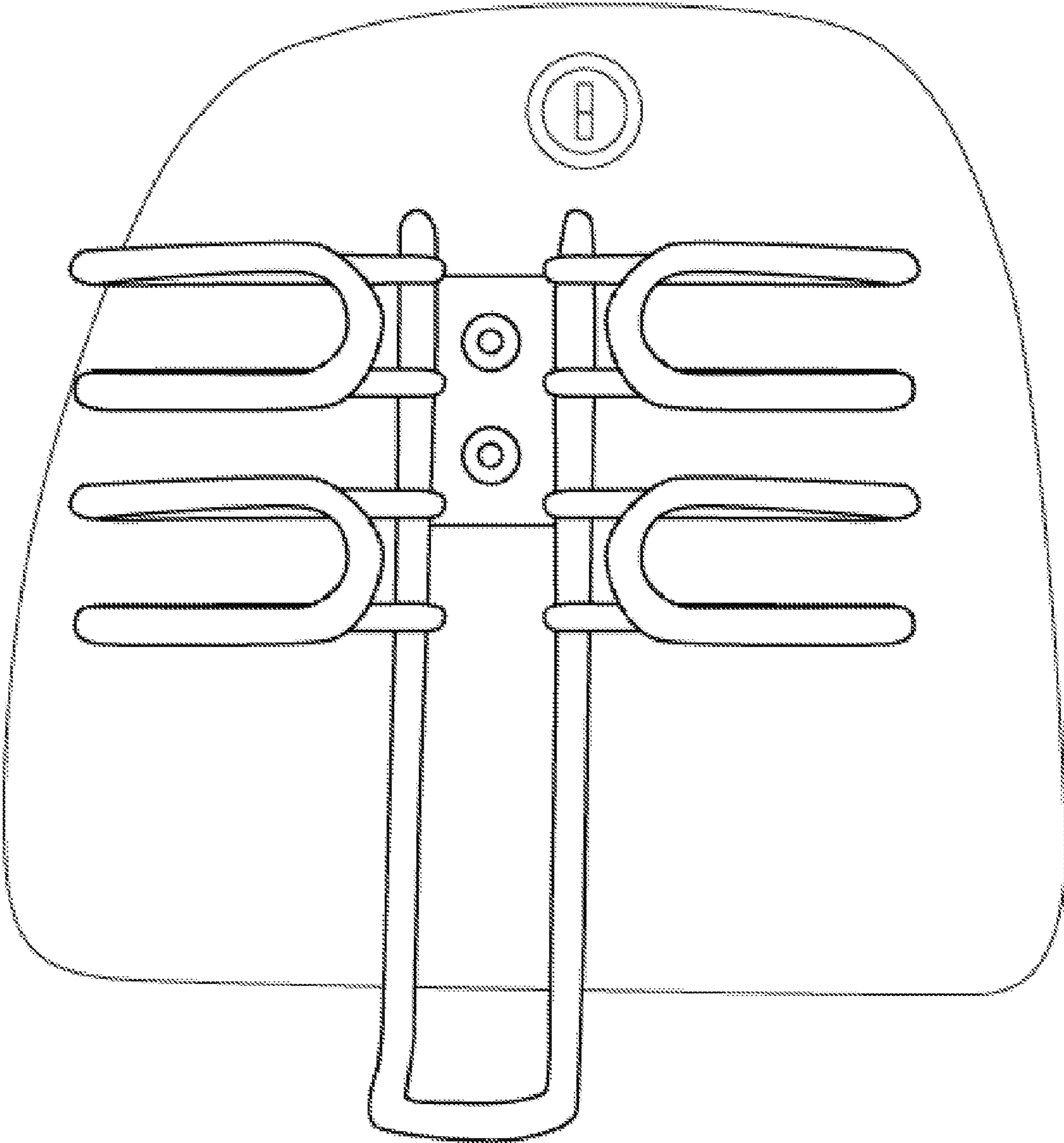


Fig. 1

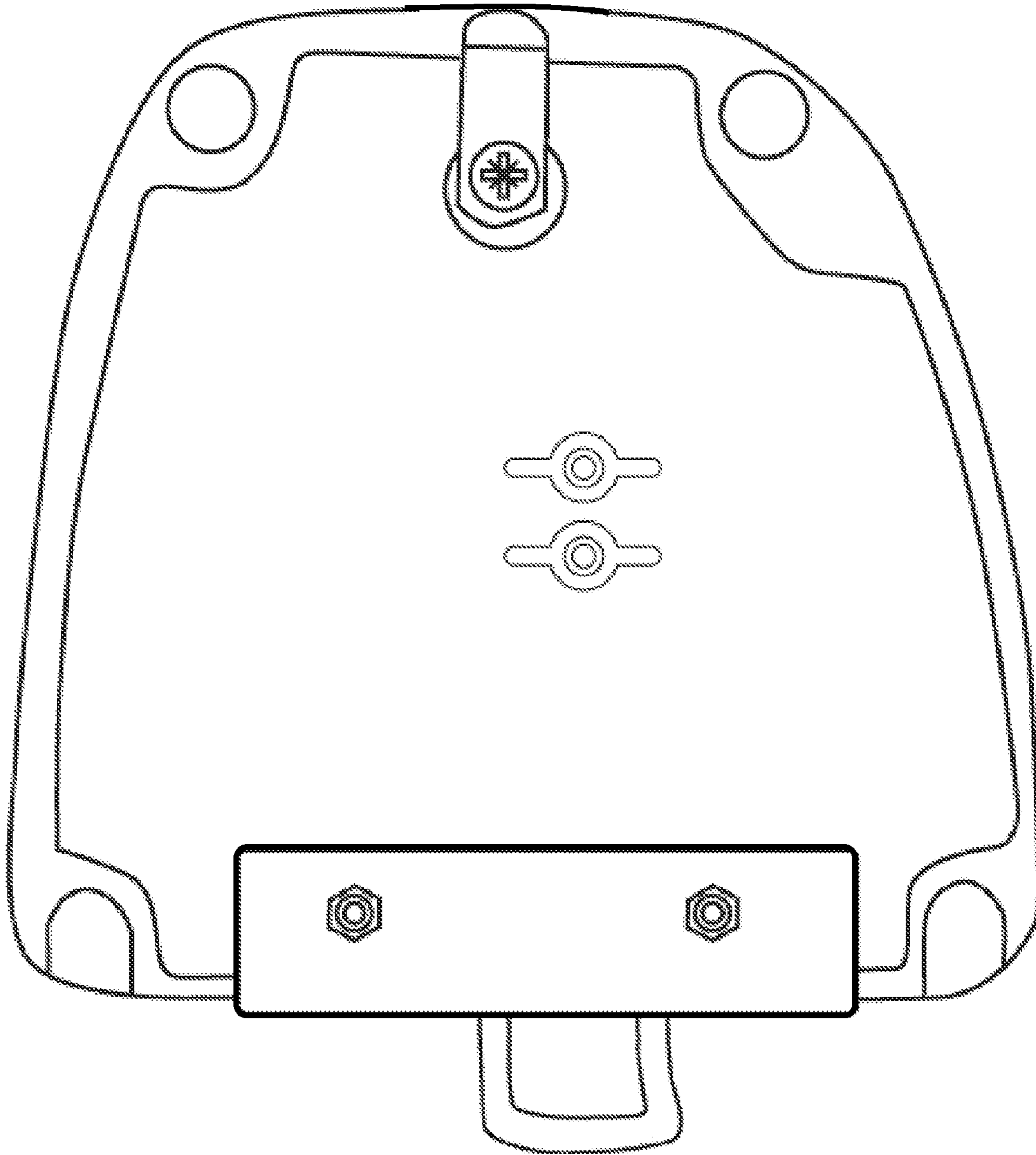


Fig. 2

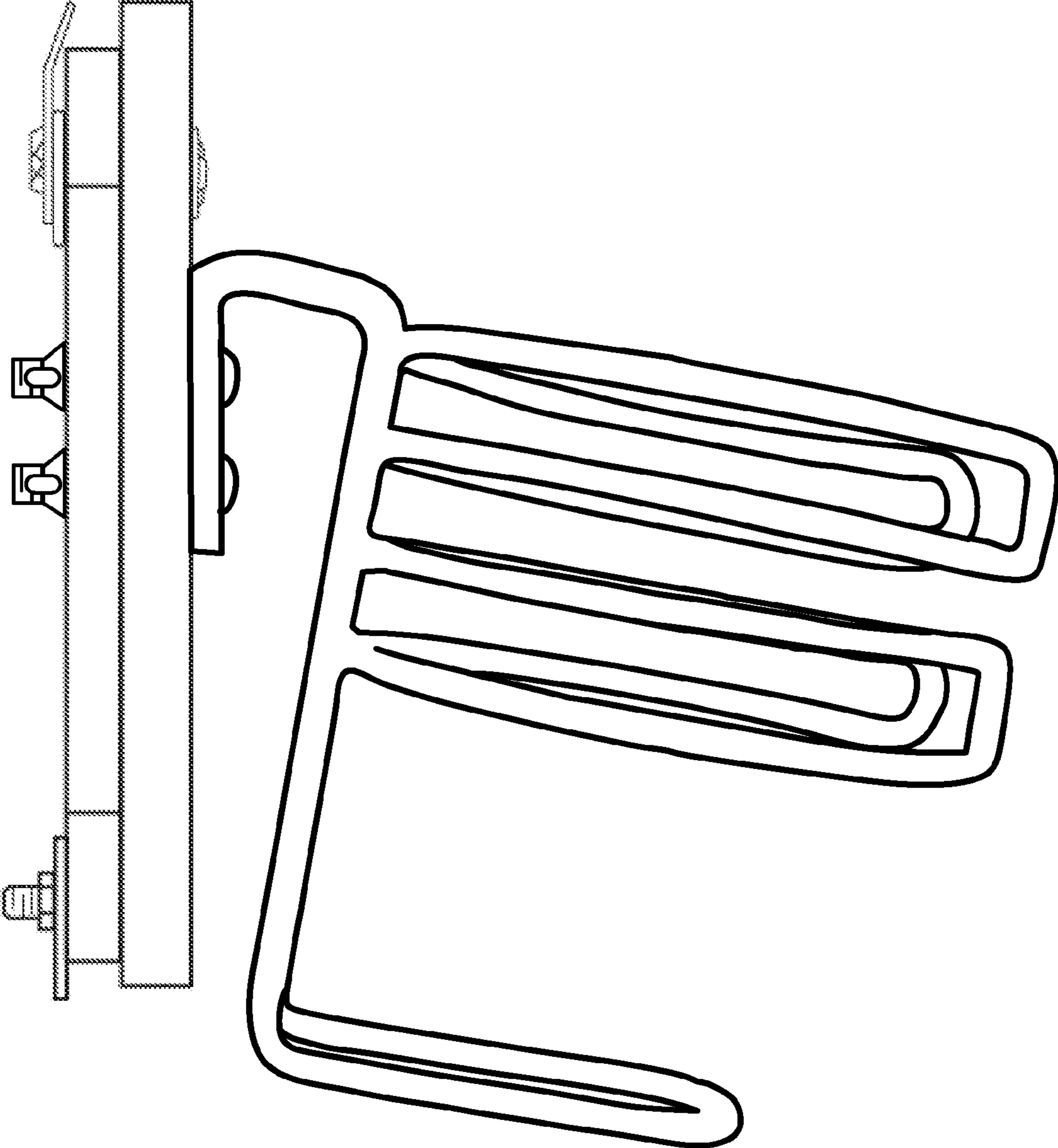


Fig. 3

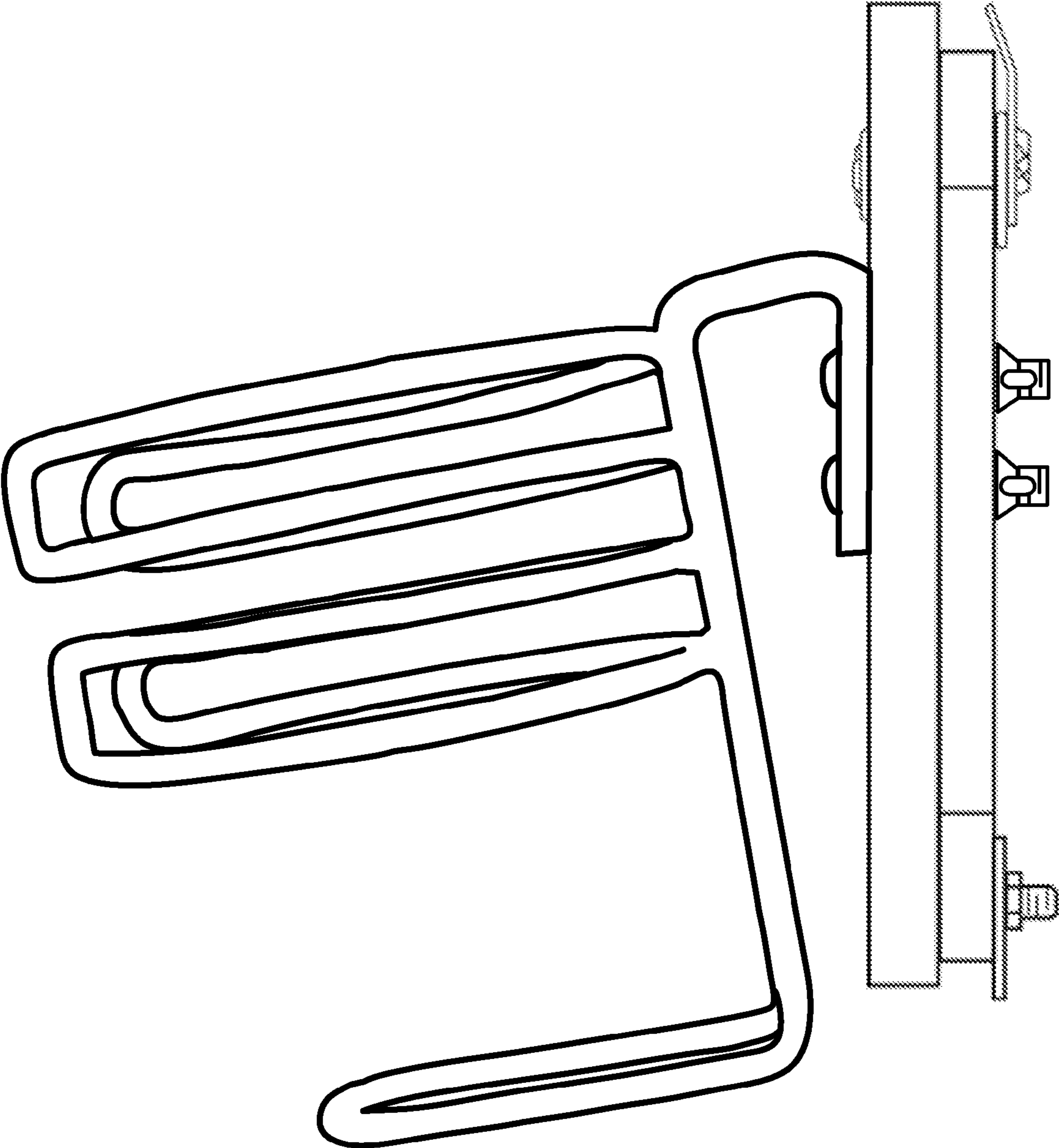


Fig. 4

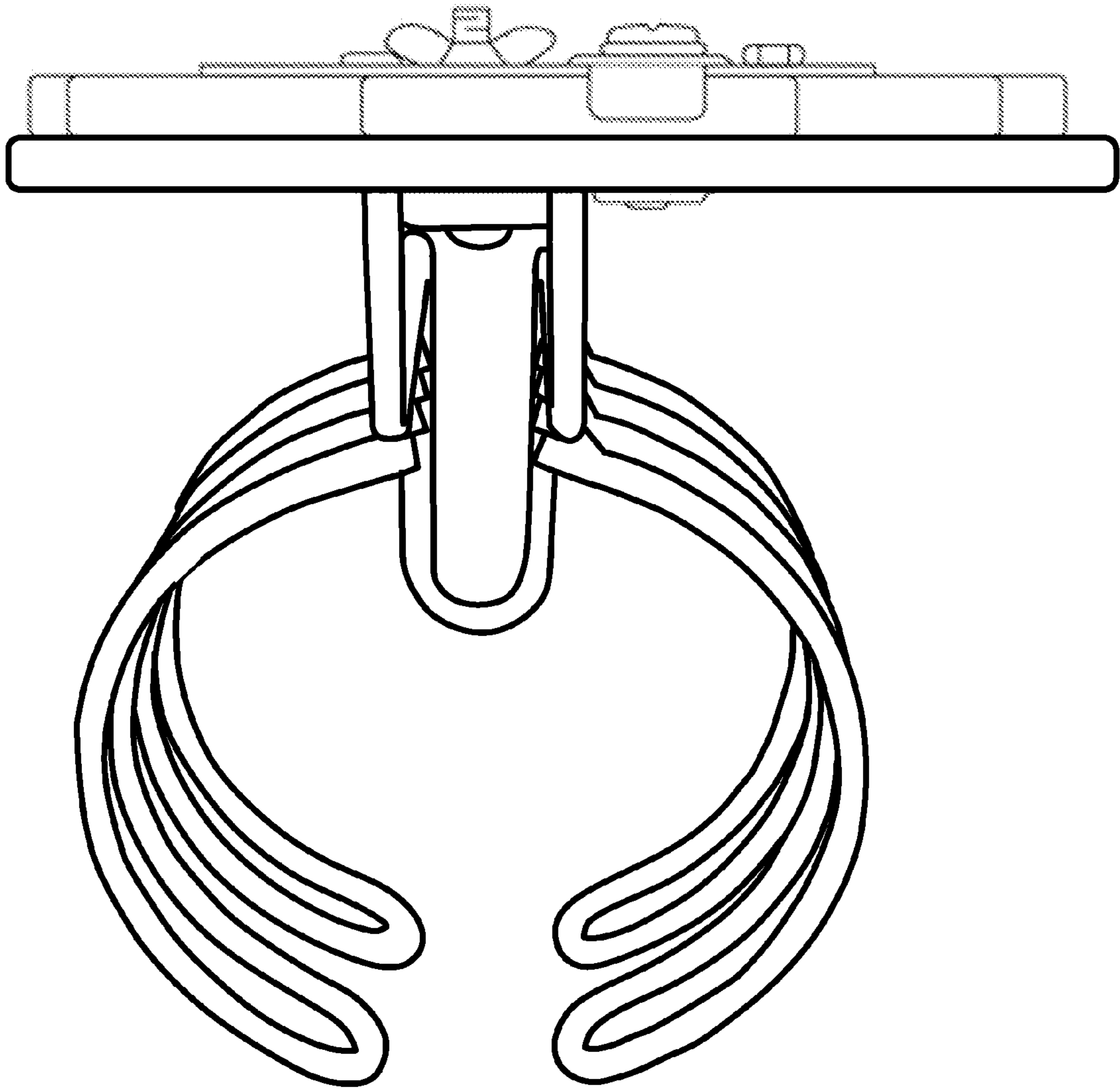


Fig. 5

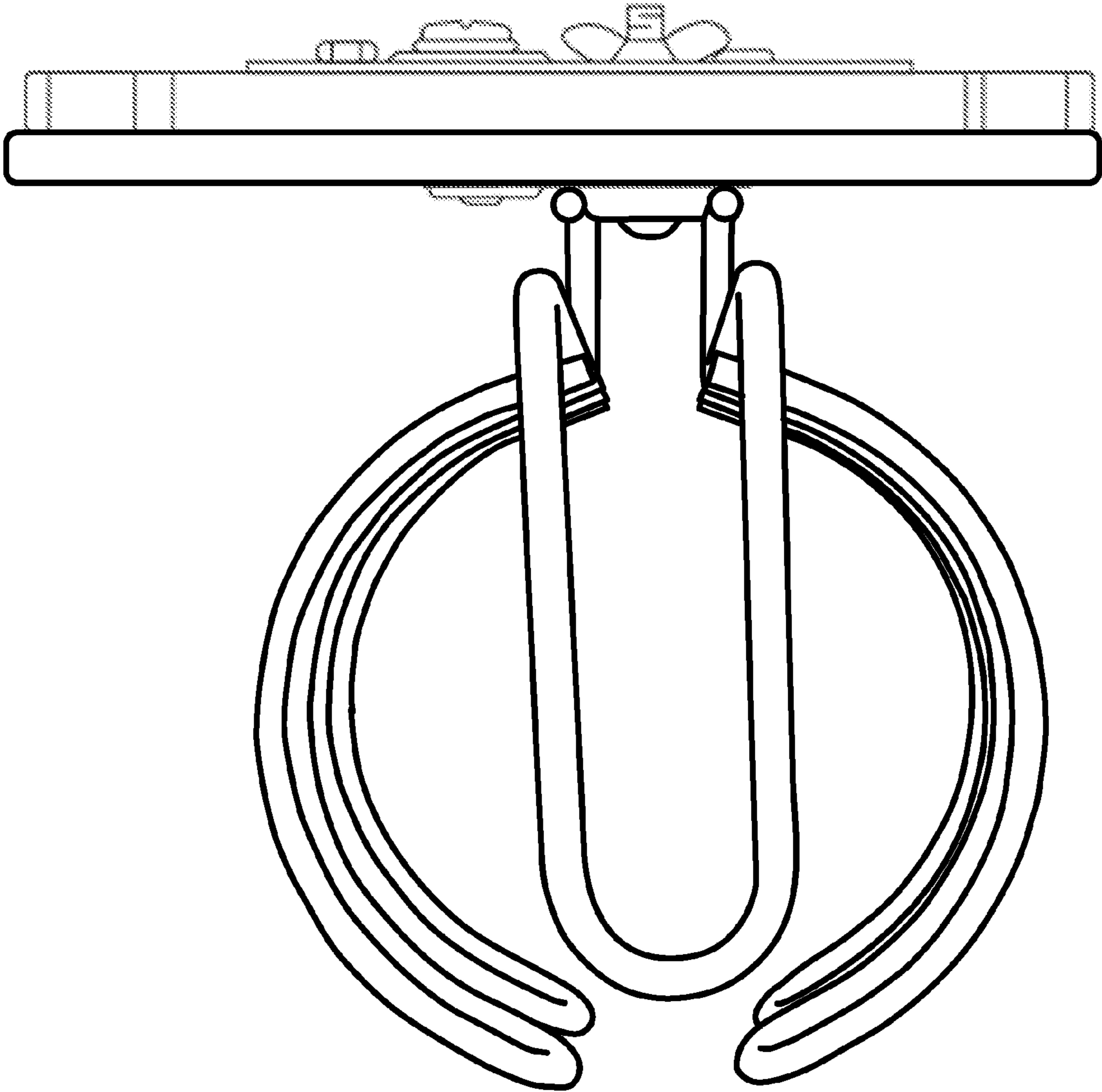


Fig. 6