



US00D604222S

(12) **United States Design Patent**
Krisch

(10) **Patent No.:** **US D604,222 S**

(45) **Date of Patent:** **** Nov. 17, 2009**

(54) **WHEEL OR WHEEL COVER**

(75) Inventor: **Daniel Krisch**, Schwaikheim (DE)

(73) Assignee: **Daimler AG**, Stuttgart (DE)

(**) Term: **14 Years**

(21) Appl. No.: **29/311,861**

(22) Filed: **Jul. 15, 2009**

(30) **Foreign Application Priority Data**

Feb. 27, 2009 (EM) 001096606-0006

(51) **LOC (9) Cl.** **12-16**

(52) **U.S. Cl.** **D12/211**

(58) **Field of Classification Search** D12/204-213;
301/37.101, 64.101, 65

See application file for complete search history.

(56) **References Cited**

U.S. PATENT DOCUMENTS

- D578,459 S * 10/2008 Hetrick D12/211
- D579,847 S * 11/2008 Hieke D12/211
- D582,330 S * 12/2008 Hieke D12/209

- D582,332 S * 12/2008 Rak D12/209
- D582,335 S * 12/2008 Rak D12/211
- D596,100 S * 7/2009 Aroney D12/211
- 2003/0047987 A1 * 3/2003 Enomoto et al. 301/37.101

* cited by examiner

Primary Examiner—Caron Veynar

Assistant Examiner—Katrina A Kile

(74) *Attorney, Agent, or Firm*—Crowell & Moring LLP

(57) **CLAIM**

The ornamental design for a wheel or wheel cover, as shown and described.

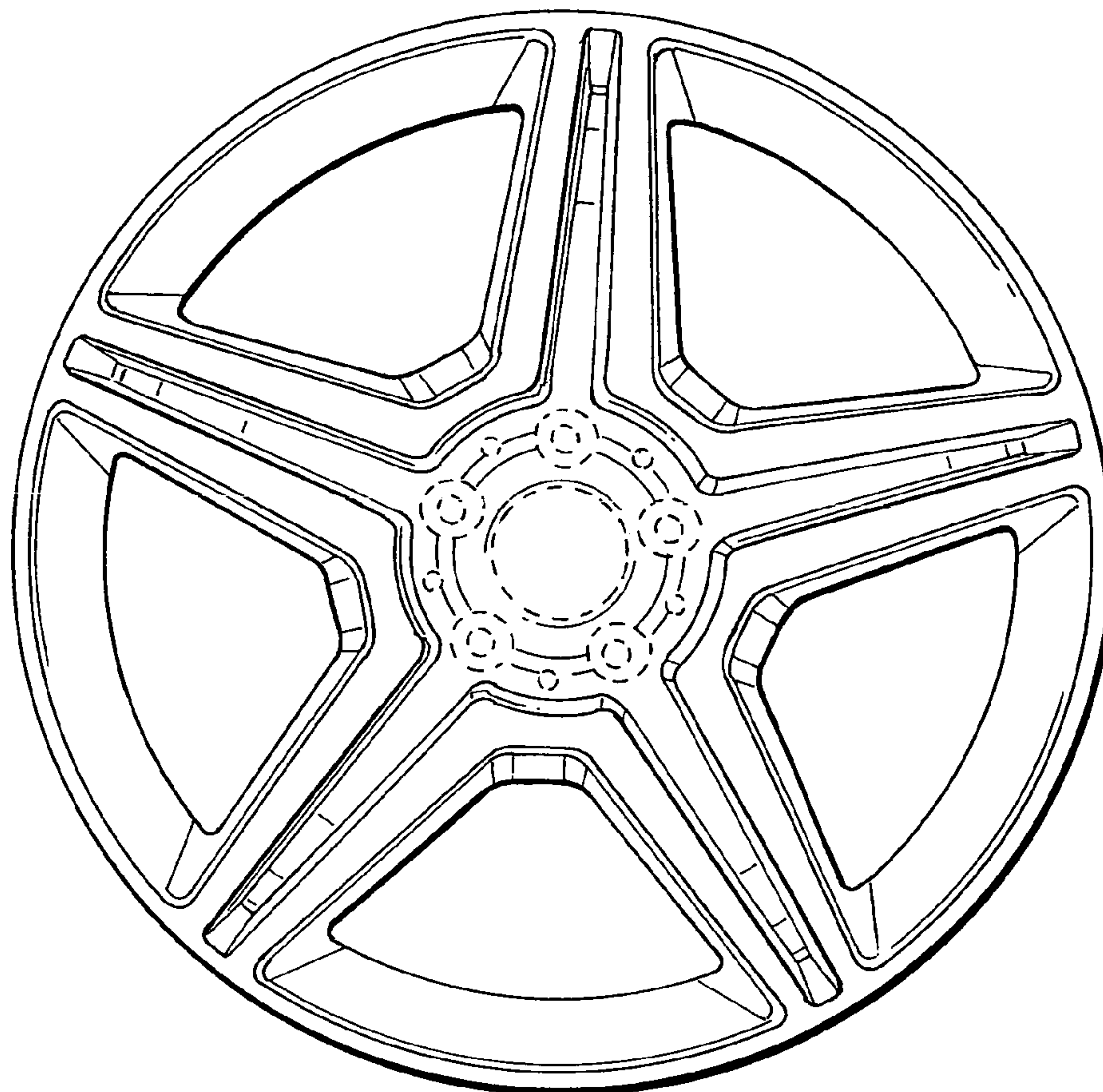
DESCRIPTION

FIG. 1 is a front view of a wheel or wheel cover according to my design; and,

FIG. 2 is a perspective view thereof.

The broken line showing of the rear portion of the wheel rim a and the central hub area is included for the purpose of illustrating environment and form no part of the claimed design.

1 Claim, 1 Drawing Sheet



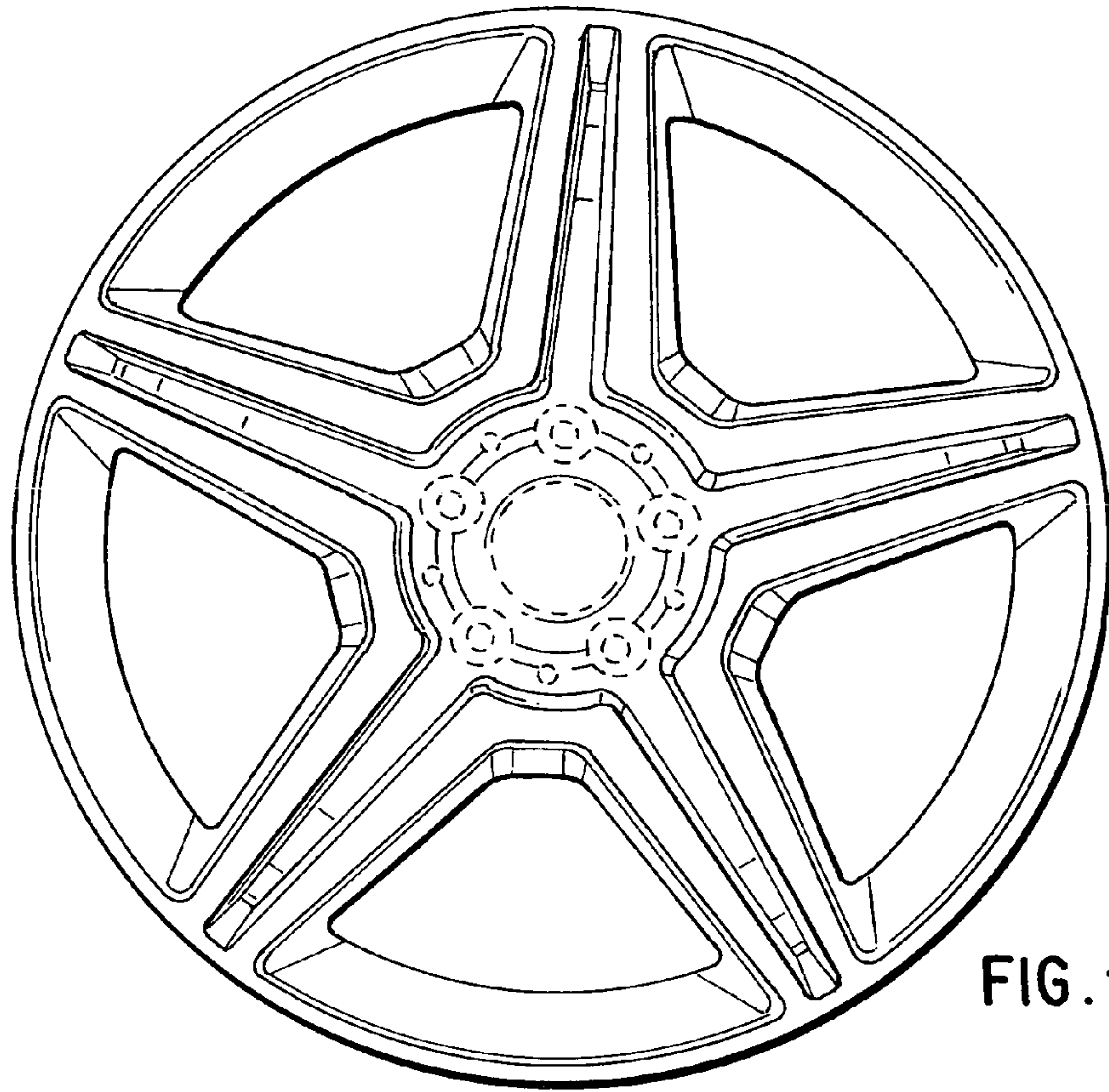


FIG. 1

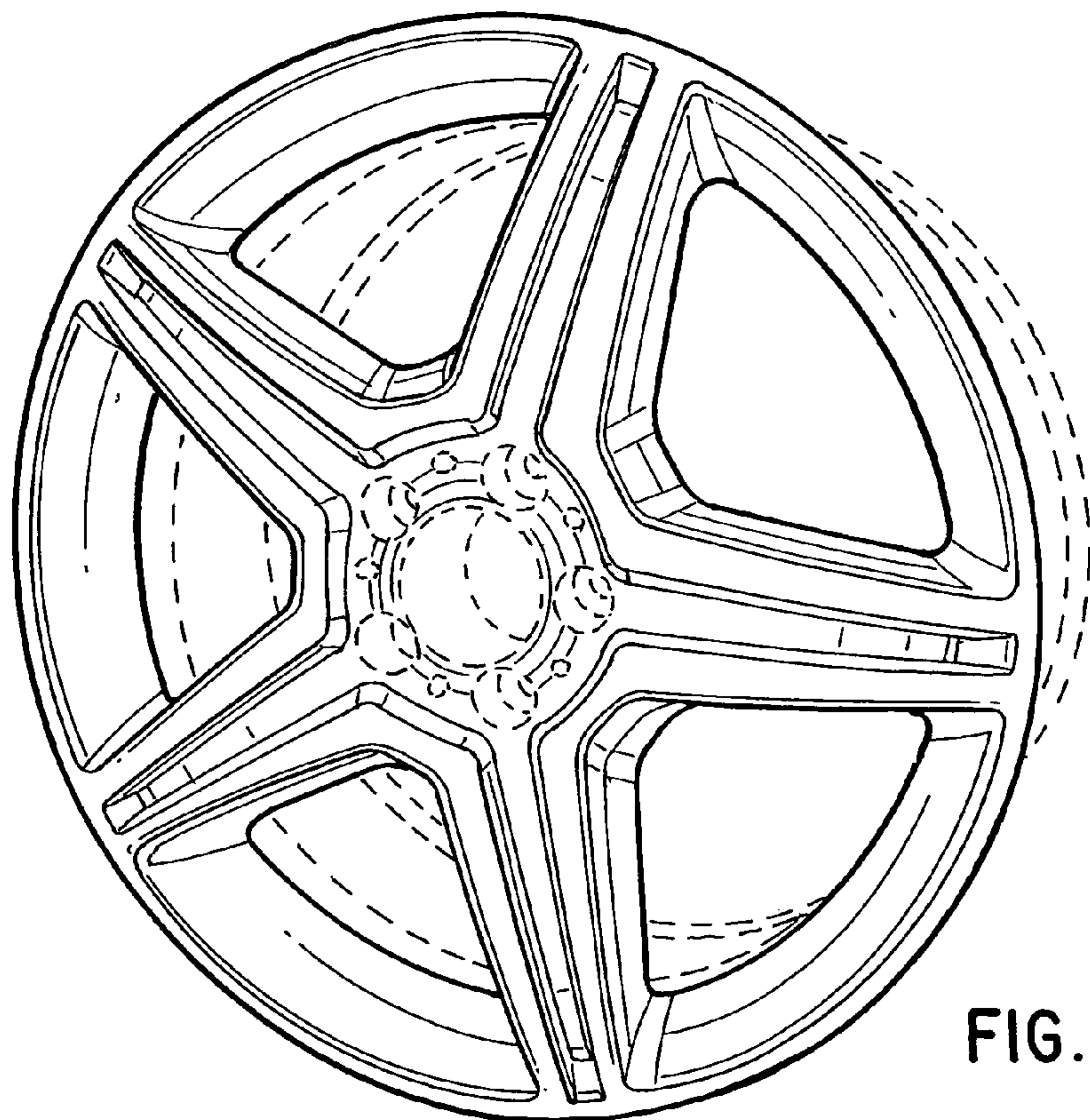


FIG. 2