



US00D604221S

(12) **United States Design Patent**  
**Krisch**

(10) **Patent No.:** **US D604,221 S**

(45) **Date of Patent:** **\*\* Nov. 17, 2009**

(54) **WHEEL OR WHEEL COVER**

(75) Inventor: **Daniel Krisch**, Schwaikheim (DE)

(73) Assignee: **Daimler AG**, Stuttgart (DE)

(\*\*) Term: **14 Years**

(21) Appl. No.: **29/311,860**

(22) Filed: **Jul. 15, 2009**

(30) **Foreign Application Priority Data**

Feb. 26, 2009 (EM) ..... 001095616-0002

(51) **LOC (9) Cl.** ..... **12-16**

(52) **U.S. Cl.** ..... **D12/211**

(58) **Field of Classification Search** ..... D12/204-213;  
301/37.101, 64.101, 65

See application file for complete search history.

(56) **References Cited**

**U.S. PATENT DOCUMENTS**

D578,459 S \* 10/2008 Hetrick ..... D12/211  
D579,847 S \* 11/2008 Hieke ..... D12/211

D582,330 S \* 12/2008 Hieke ..... D12/209  
D582,332 S \* 12/2008 Rak ..... D12/209  
D582,335 S \* 12/2008 Rak ..... D12/211  
D596,100 S \* 7/2009 Aroney ..... D12/211  
2003/0047987 A1 \* 3/2003 Enomoto et al. .... 301/37.101

\* cited by examiner

*Primary Examiner*—Caron Veynar

*Assistant Examiner*—Katrina A Kile

(74) *Attorney, Agent, or Firm*—Crowell & Moring LLP

(57) **CLAIM**

The ornamental design for a wheel or wheel cover, as shown and described.

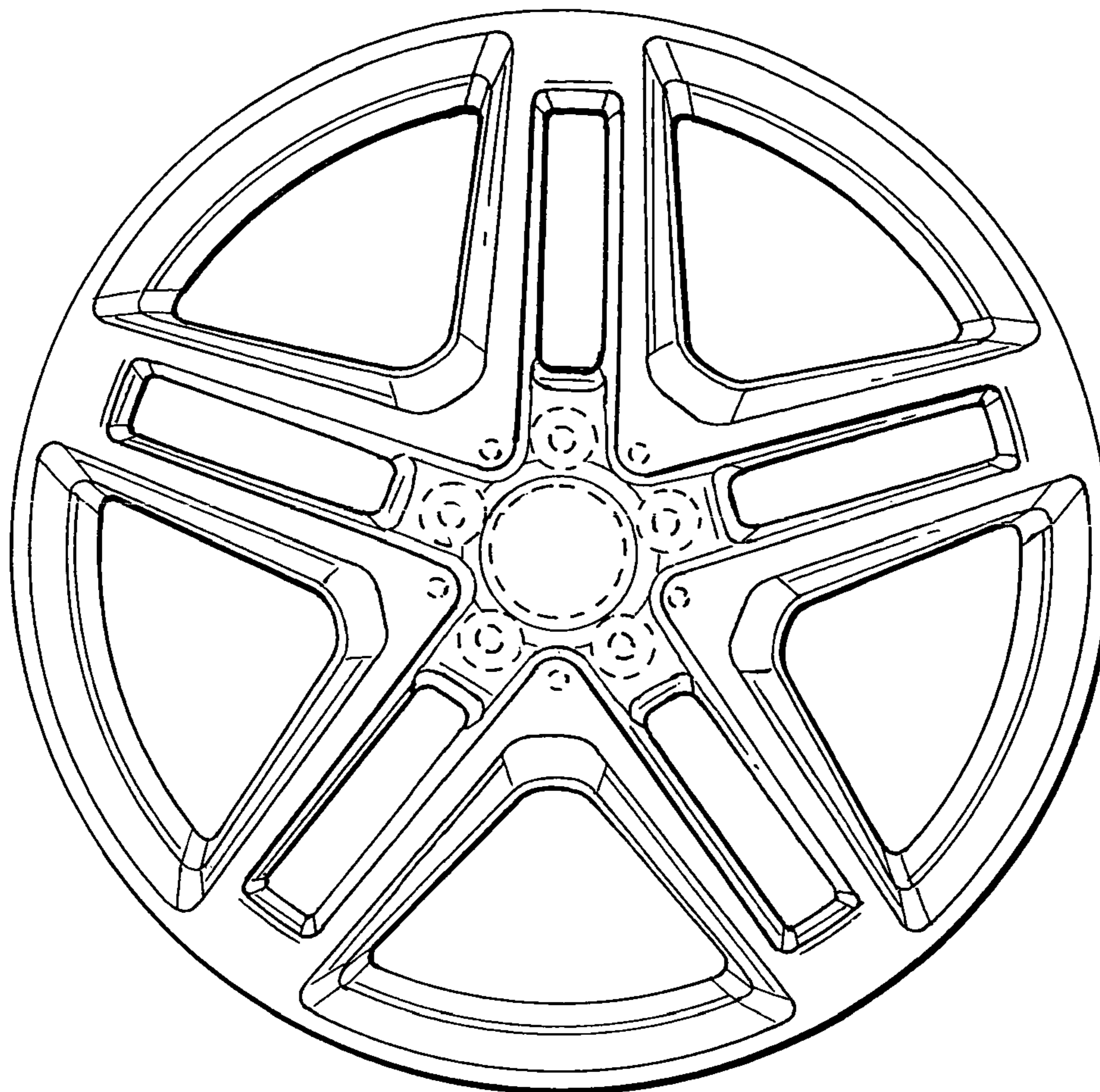
**DESCRIPTION**

FIG. 1 is a front view of a wheel or wheel cover according to my design; and,

FIG. 2 is a perspective view thereof.

The broken line showing of the rear portion of the wheel rim and the central hub area is included for the purpose of illustrating environment and form no part of the claimed design.

**1 Claim, 1 Drawing Sheet**



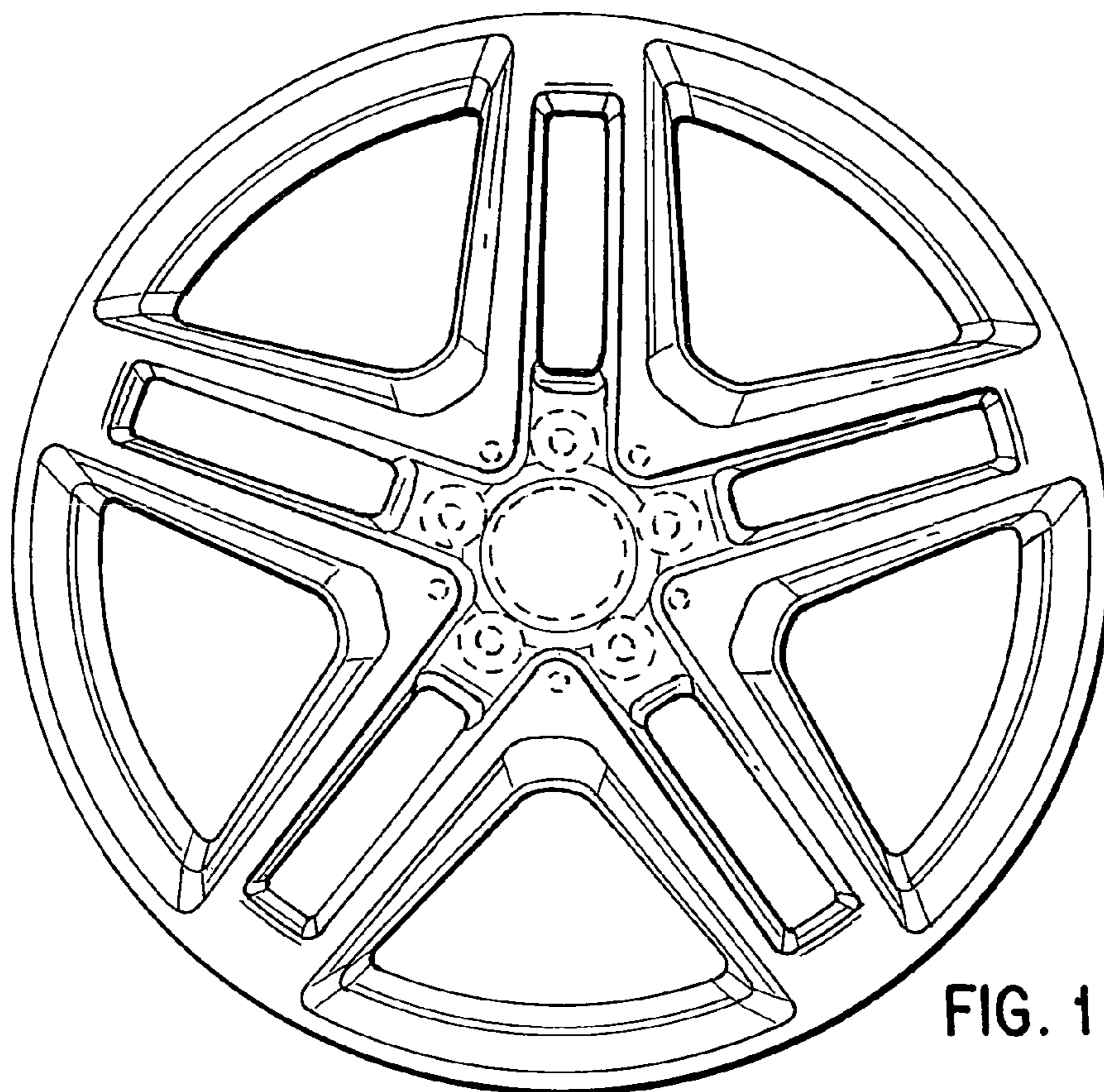


FIG. 1

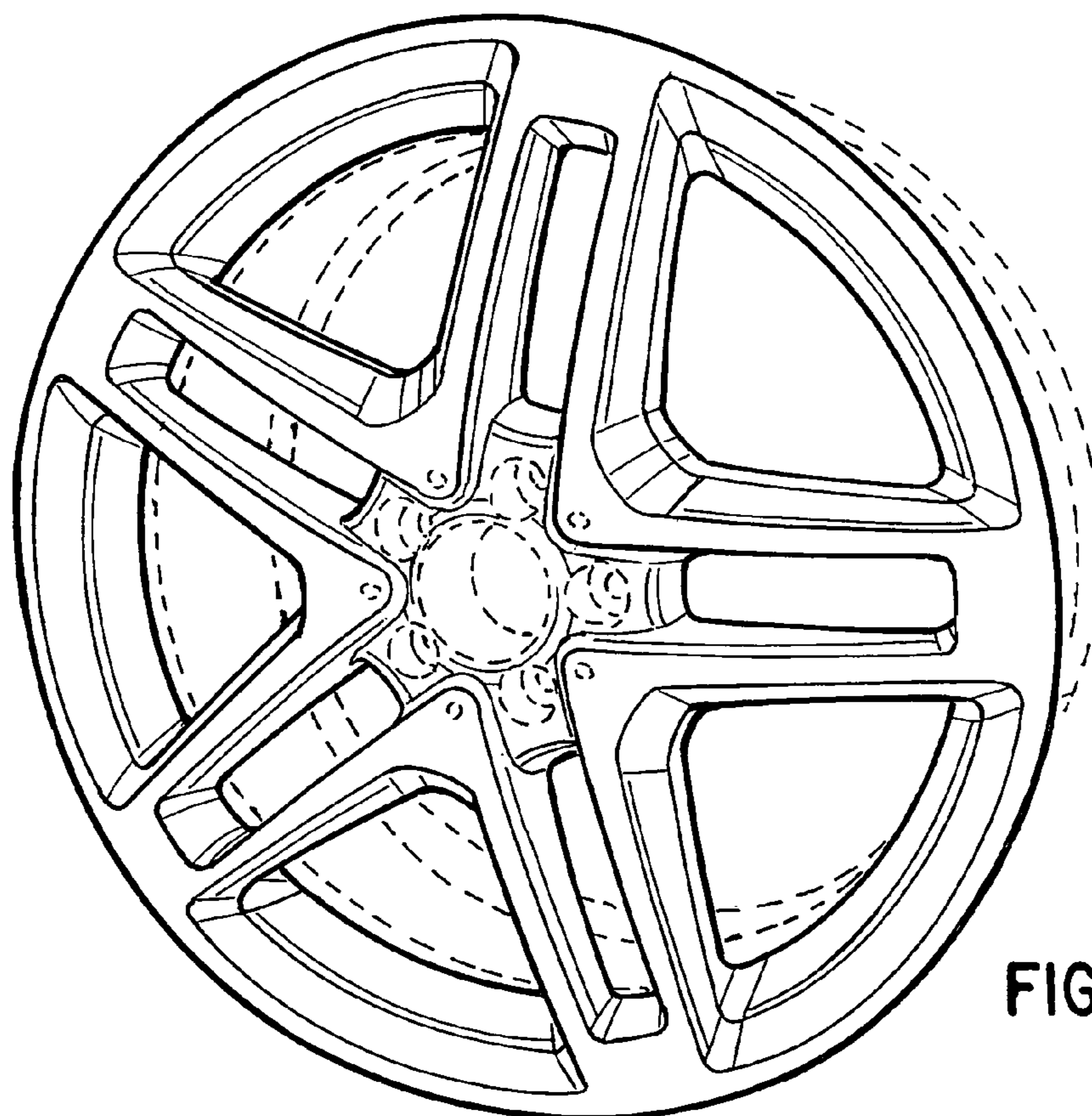


FIG. 2