



US00D604220S

(12) **United States Design Patent**  
**Penano**

(10) **Patent No.:** **US D604,220 S**

(45) **Date of Patent:** **\*\* Nov. 17, 2009**

(54) **WHEEL**

(75) Inventor: **Irwin Evardome Penano**, Toyota (JP)

(73) Assignee: **Kosei Aluminum Co., Ltd.**, Toyota, Aichi (JP)

(\*\*) Term: **14 Years**

(21) Appl. No.: **29/334,962**

(22) Filed: **Apr. 6, 2009**

(51) **LOC (9) Cl.** ..... **12-16**

(52) **U.S. Cl.** ..... **D12/209**

(58) **Field of Classification Search** ..... D12/204–213;  
301/37.101, 64.101, 65, 64.201

See application file for complete search history.

(56) **References Cited**

U.S. PATENT DOCUMENTS

D447,106 S	8/2001	Chung	
D462,643 S *	9/2002	Murkett et al.	D12/211
D481,664 S *	11/2003	Vian	D12/211
D484,446 S	12/2003	Pfeiffer et al.	
D496,623 S *	9/2004	Elmitt	D12/211
D500,003 S	12/2004	Guevara	
D505,375 S	5/2005	Kushartanto	
D507,775 S	7/2005	Pfeiffer	
D515,494 S	2/2006	Laengerer	
D519,901 S	5/2006	Panano	
D520,433 S	5/2006	Hosoi	
D524,217 S	7/2006	Aoki	
D526,609 S	8/2006	Hosoi	
D527,331 S	8/2006	Aoki	
D528,062 S	9/2006	Hosoi	
D531,953 S	11/2006	Aoki	
D532,740 S *	11/2006	Ettensberger	D12/211
D535,934 S *	1/2007	Scheu	D12/211

D536,655 S	2/2007	Kim	
D538,215 S *	3/2007	Laengerer et al.	D12/209
D538,729 S	3/2007	Pfeiffer	
D539,205 S	3/2007	Hosoi	
D539,719 S	4/2007	Aoki	
D543,922 S	6/2007	Young	
D545,749 S	7/2007	Young	
D546,260 S	7/2007	Aoki	
D550,598 S	9/2007	Schaefer	
D553,067 S *	10/2007	Muzzarelli	D12/211
D572,650 S *	7/2008	Scheu	D12/211
D573,082 S	7/2008	Young	
D574,310 S *	8/2008	Huet	D12/209
D582,329 S *	12/2008	Hieke	D12/209
D586,282 S *	2/2009	Pfeiffer	D12/209
2008/0086886 A1	4/2008	Kamiya	

OTHER PUBLICATIONS

Kosei Company Profile—Working in Harmony with the Environment—circa 2003.

Kosei—2005 All Products Line.

\* cited by examiner

Primary Examiner—Stacia Cadmus

(74) Attorney, Agent, or Firm—Cook Alex Ltd.

(57) **CLAIM**

The ornamental design for a wheel, as shown and described.

**DESCRIPTION**

FIG. 1 is a front perspective view of a wheel showing the new design;

FIG. 2 is a front elevational view thereof; and,

FIG. 3 is a top plan view thereof, the bottom plan view being identical thereto.

**1 Claim, 2 Drawing Sheets**

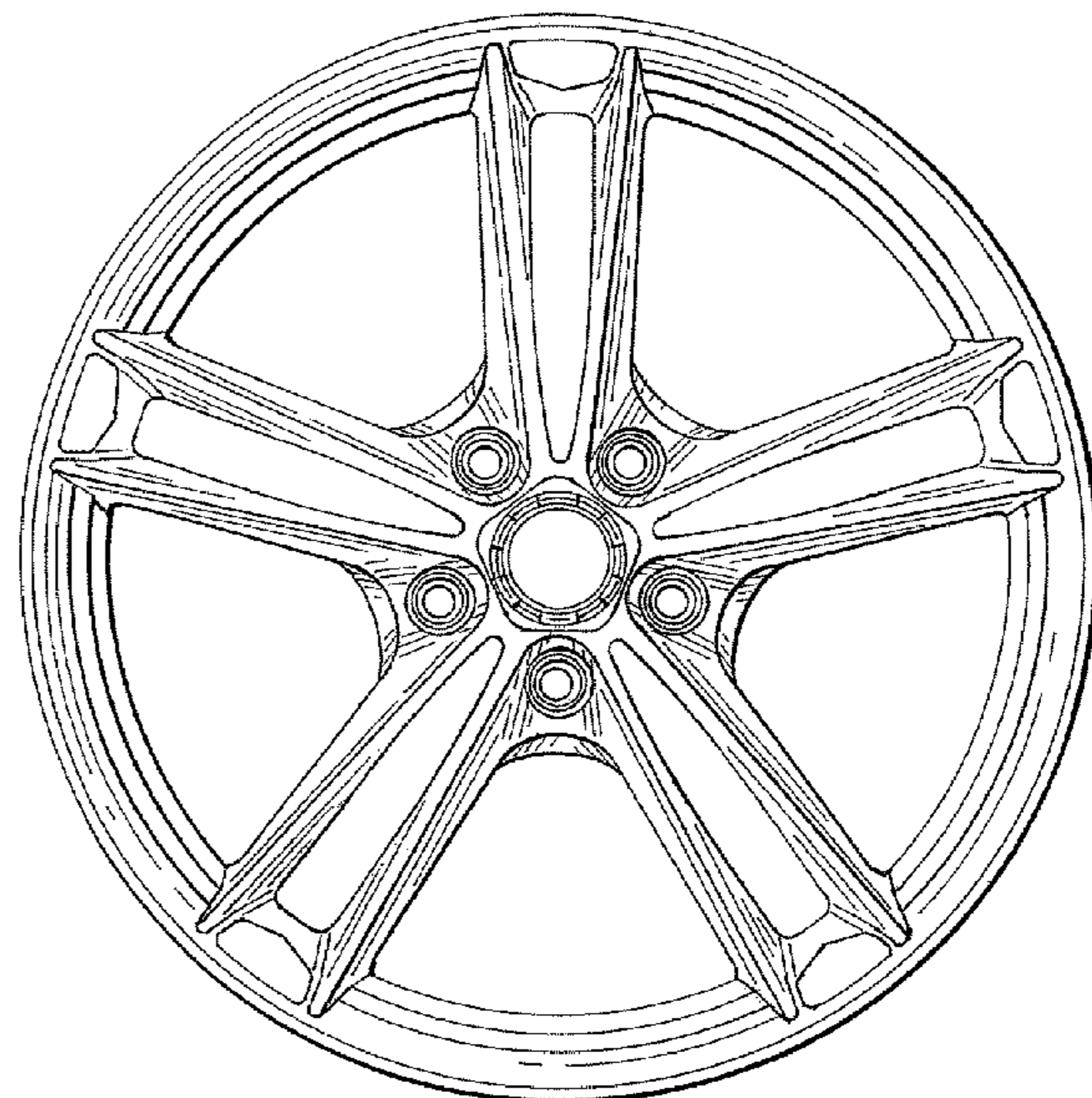
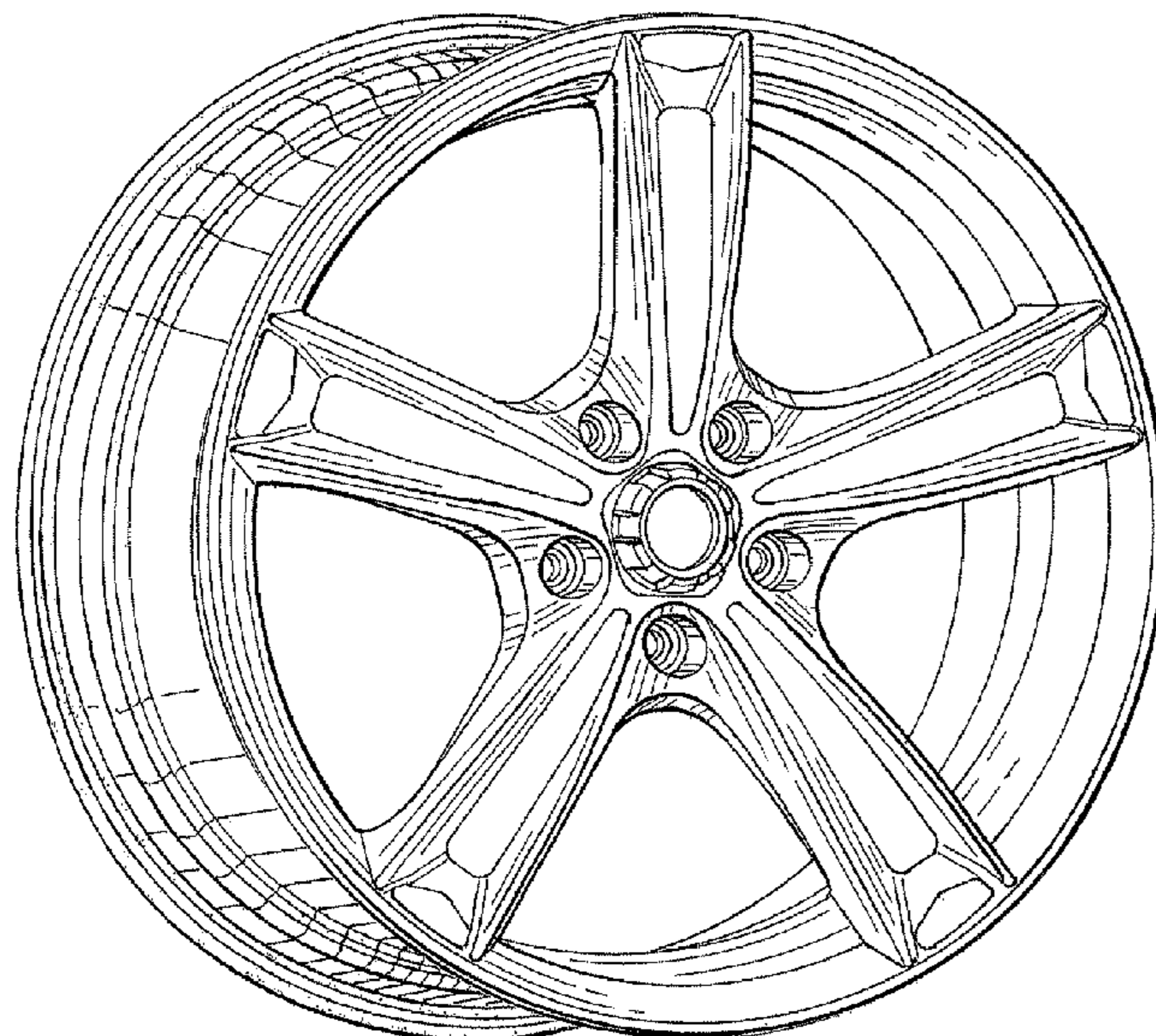
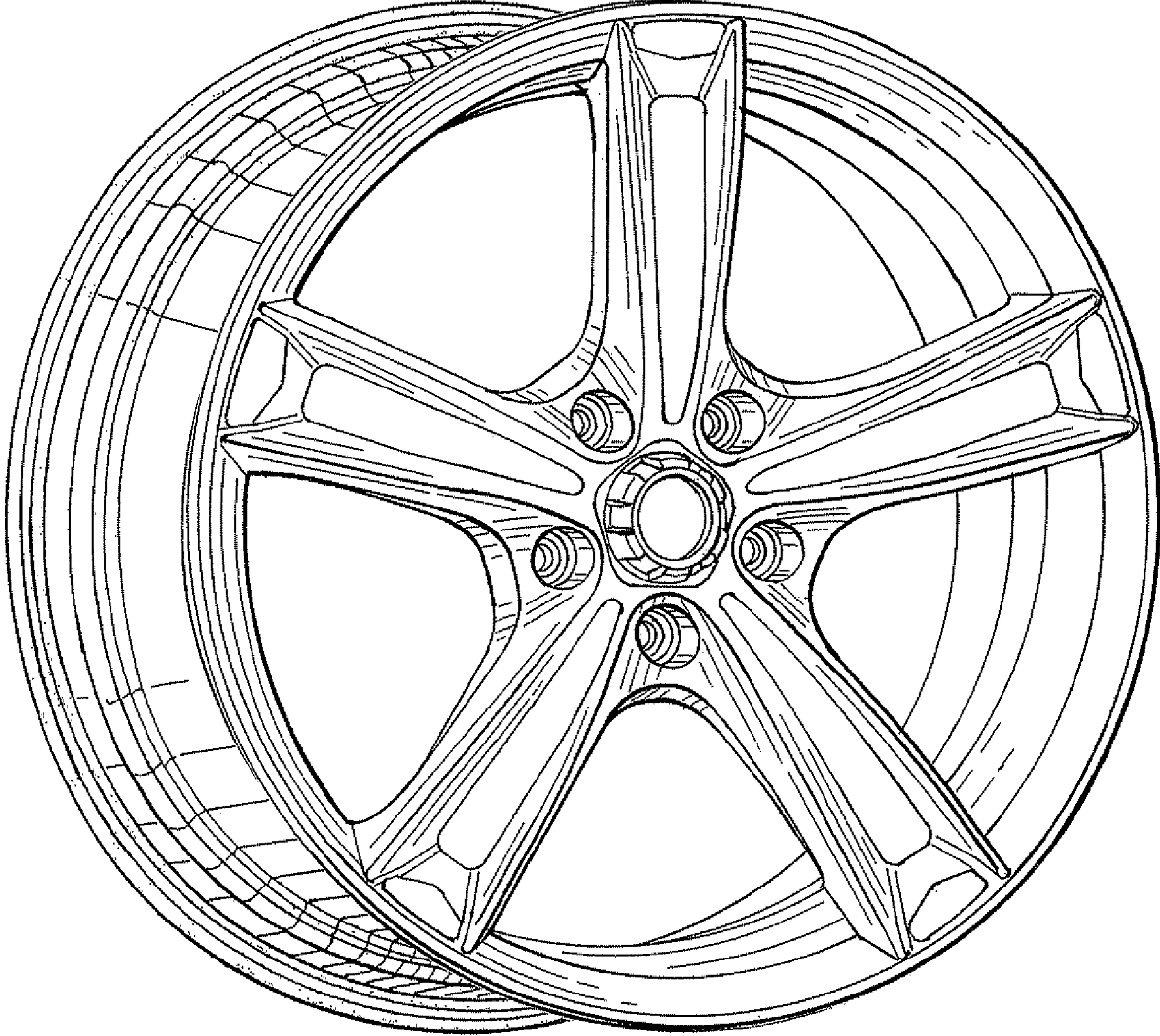


FIG.1



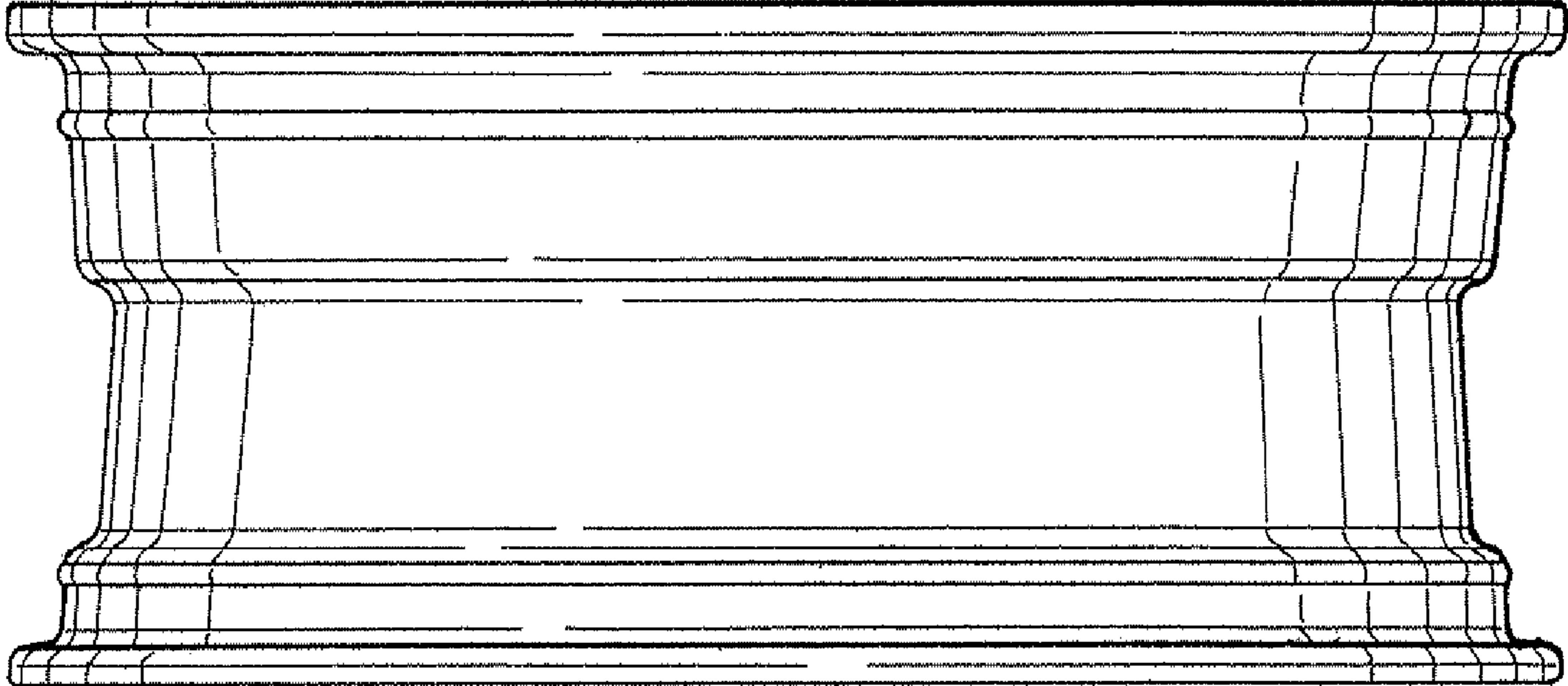


FIG. 3

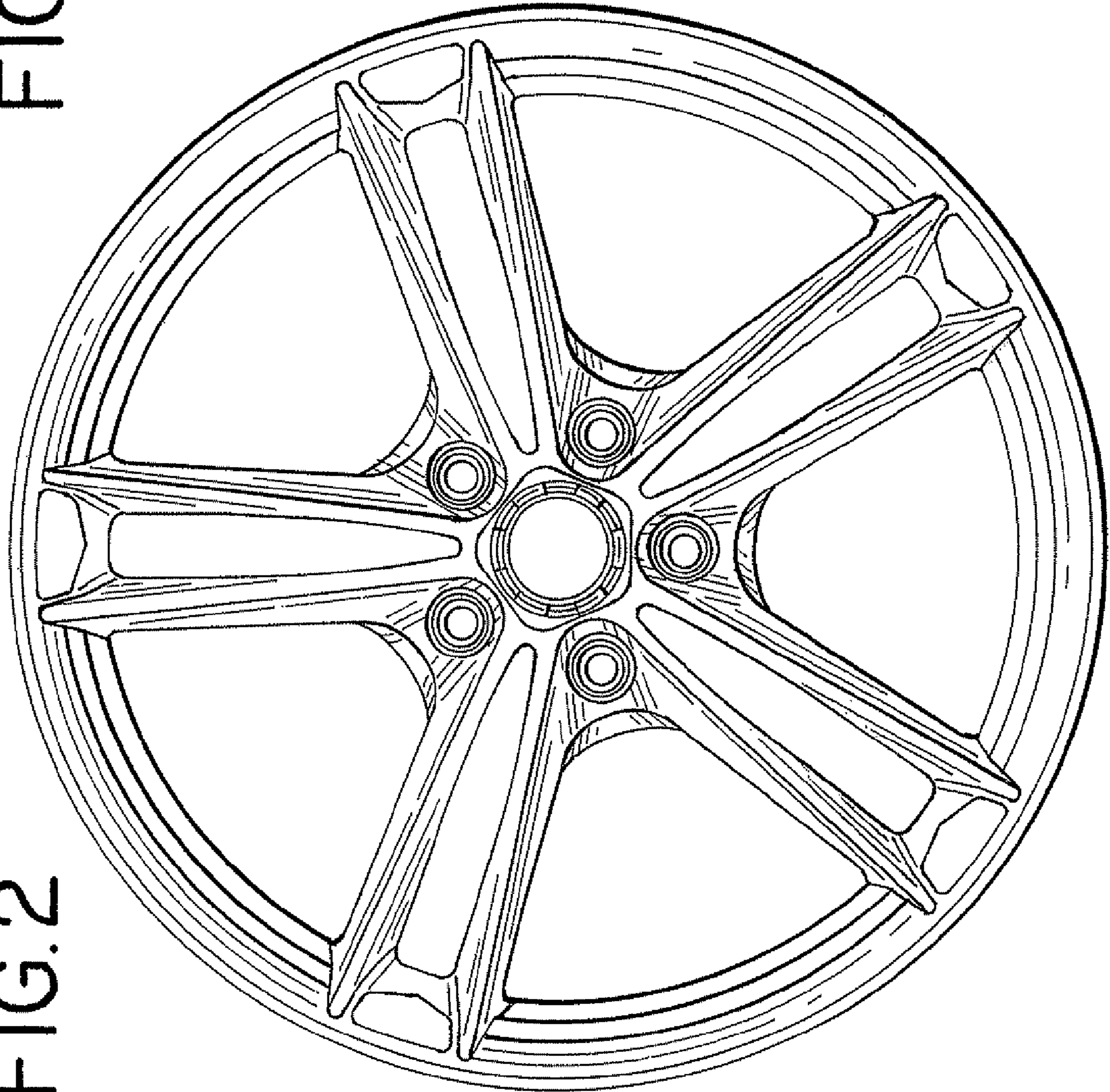


FIG. 2

UNITED STATES PATENT AND TRADEMARK OFFICE  
**CERTIFICATE OF CORRECTION**

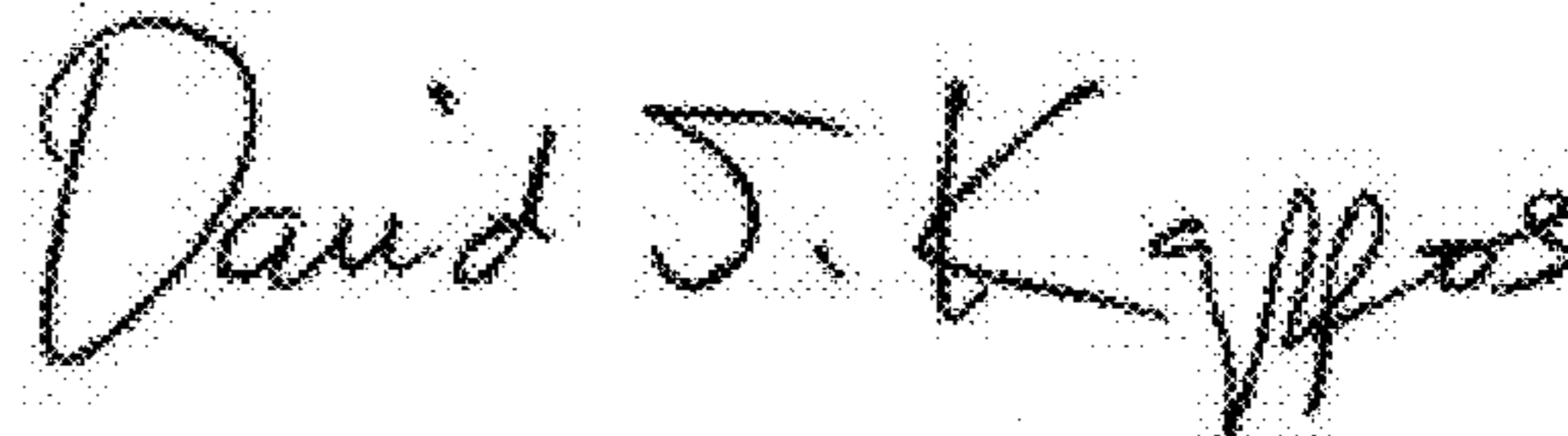
PATENT NO. : D604,220 S  
APPLICATION NO. : 29/334962  
DATED : November 24, 2009  
INVENTOR(S) : Hosoi

Page 1 of 1

It is certified that error appears in the above-identified patent and that said Letters Patent is hereby corrected as shown below:

On the title page insert item  
--(30) Foreign Application Priority Data  
October 23, 2008 European Community Design 001051841--

Signed and Sealed this  
Twenty-fourth Day of May, 2011

A handwritten signature in black ink that reads "David J. Kappos". The signature is written in a cursive, slightly slanted style.

David J. Kappos  
*Director of the United States Patent and Trademark Office*